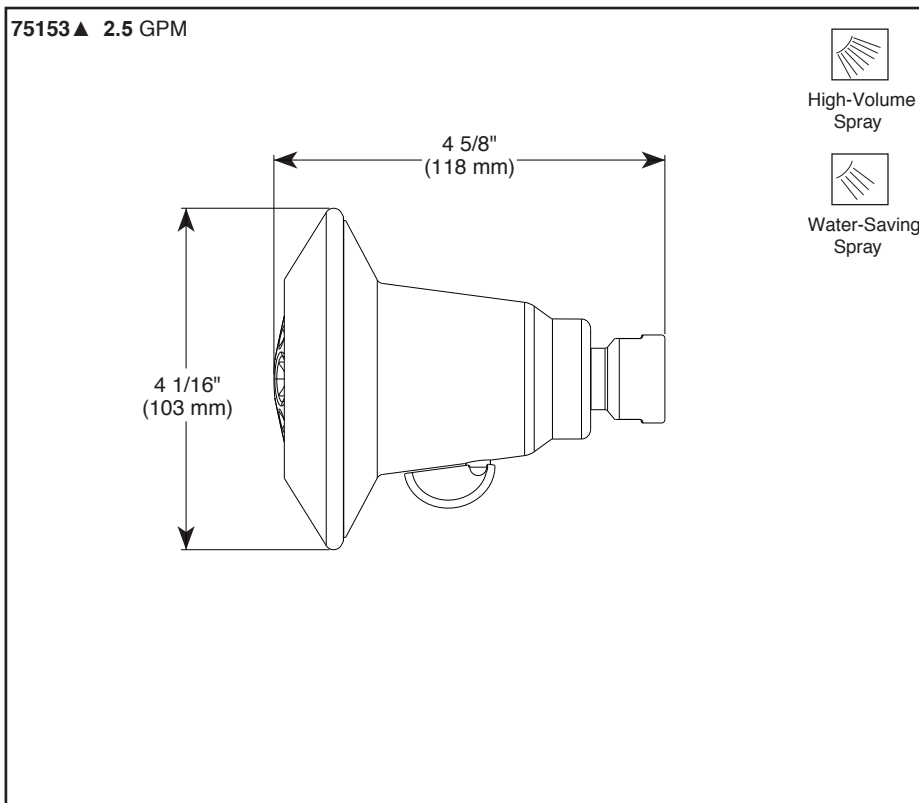


75152▲

Submitted Model No.: _____

Specific Features: _____



▲ Designate proper finish suffix



SHOWERHEAD

- Adjustable Water-Amplifying® showerhead
- H2Okinetic® Technology showerhead
- Dual setting

STANDARD SPECIFICATIONS:

- Standard 1/2" pipe fitting.
- Delivers volume enhance shower yet uses 26% less water.
- Water and energy saving shower head; operates at 2.5/1.85 gallons per minute.
- Spray holes never need cleaning.
- Maximum water consumption 2.5 gpm (9.5 L/min) @ 80 psi.
- Actual water consumption 1.75 gpm (6.6 L/min) @ 45 psi.
- For use with automatic compensating valves rated at 1.0 gpm (3.8 L/min) or less.

WARRANTY

- Lifetime limited warranty on parts (other than electronic parts and batteries) and finishes; or for commercial users, for 5 years from the date of purchase.
- 5 year limited warranty on electronic parts (other than batteries); or for commercial users, for 1 year from the date of purchase. No warranty is provided on batteries.

COMPLIES WITH

- ASME A112.18.1/CSA B125.1



55 E. 111th Street, Indianapolis, Indiana 46280
 350 South Edgeware Road, St. Thomas, Ontario Canada N5P 4L1
 © 2015 Masco Corporation of Indiana