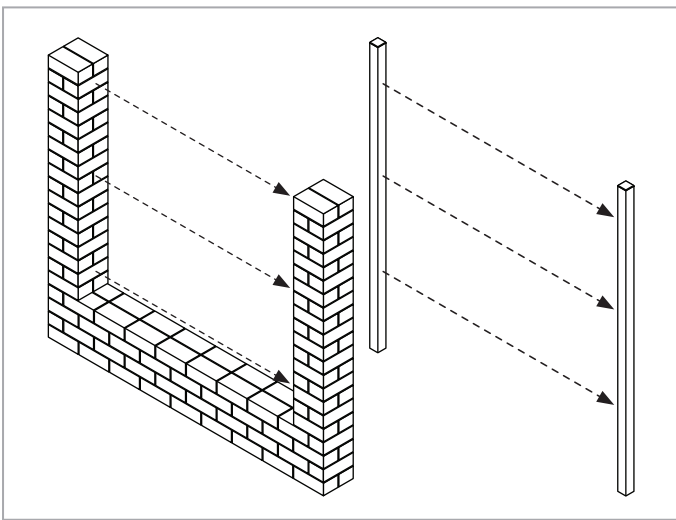


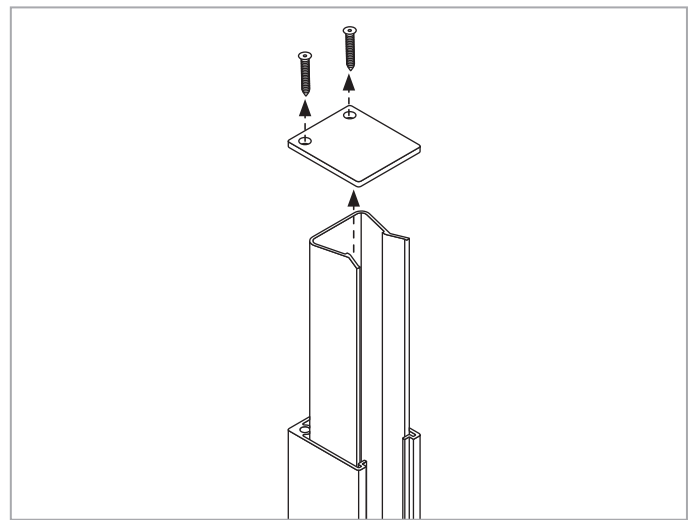
TOOLS REQUIRED FOR INSTALLATION

- METAL TAPE MEASURE
- SPIRIT LEVEL
- PHILLIPS HEAD SCREWDRIVER BIT (FOR DRILL)
- CARPENTERS PENCIL
- POWER AND/OR CORDLESS DRILL
- TIMBER, MASONRY OR STEEL DRILL BITS (AS NEEDED)
- DROP SAW WITH SUITABLE BLADE FOR CUTTING ALUMINIUM (IF ADJUSTING HEIGHT OR WIDTH)



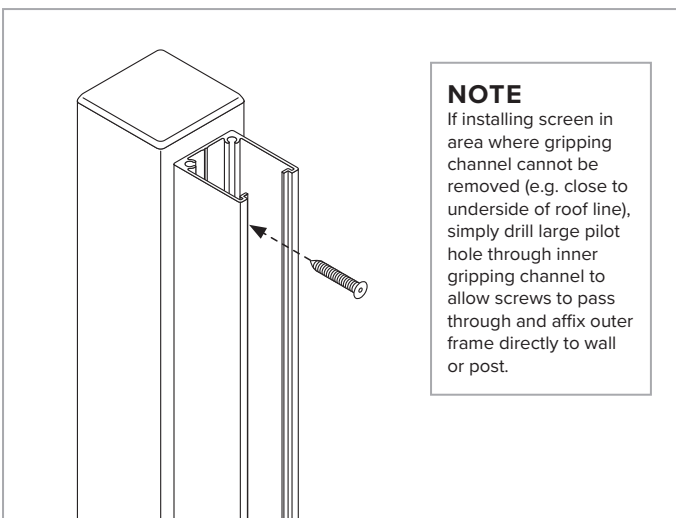
STEP 1

Take measurement between wall or post at 3 points: top, middle and bottom.
Take note of the smallest width measurement.



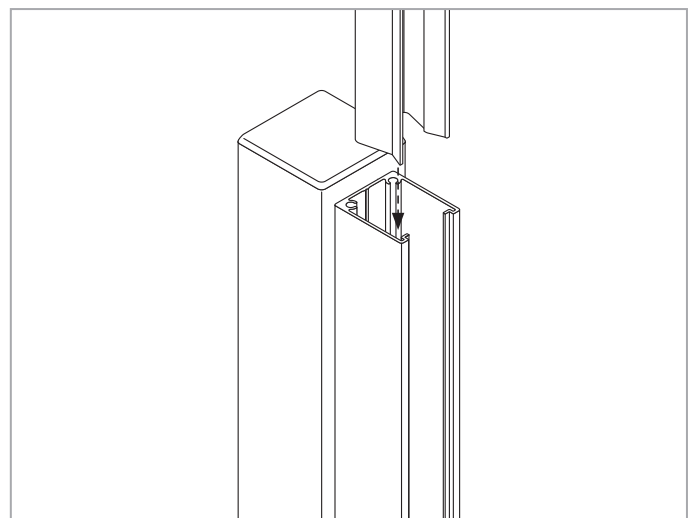
STEP 2

Remove top cap and set aside for later use (Do not remove cap from bottom end of side frame).
Slide out the inner gripping channel.



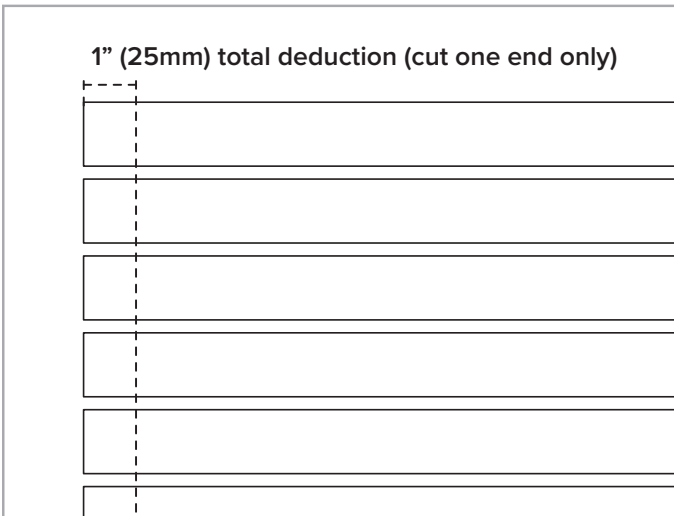
STEP 3

Affix outer frame to post or wall with screws (sold separately)



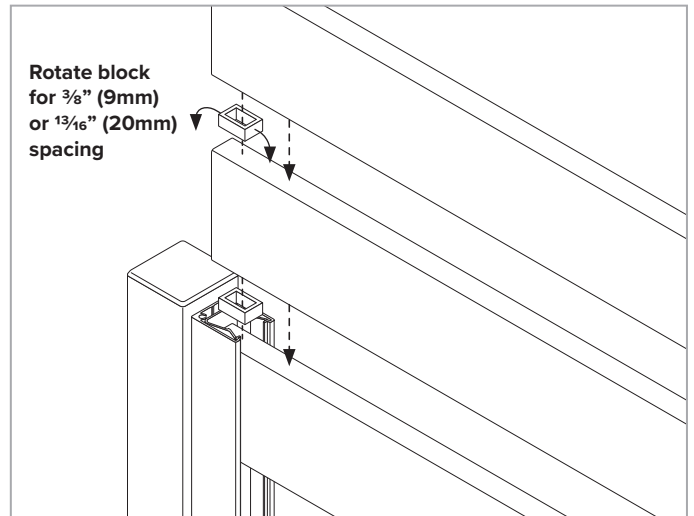
STEP 4

Slide inner gripping channel back into outer frame



STEP 5

Cut aluminium slats **1" (25mm)** less than total width of opening. Refer to measurement in step 1. The **1" (25mm)** deduction takes into account thickness of side frame on both sides of the screen.



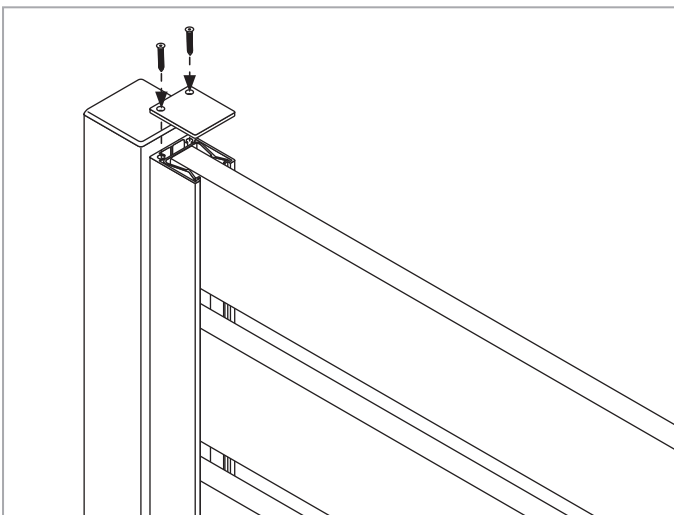
STEP 6

Push slats down into side frame ensuring spacer blocks are placed between each slat.

Install tip: Place spacer block on bottom plate before pushing first slat down so that first slat sits on a spacer block.

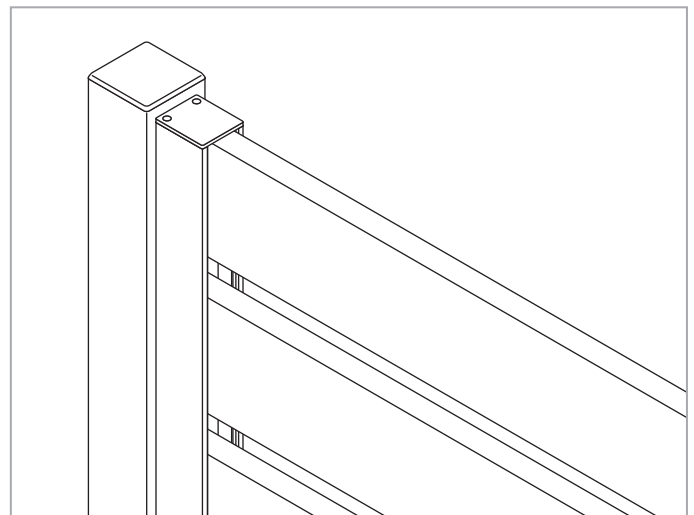
Spacer blocks supplied in kit allow slat spacing of $\frac{3}{8}$ " (9mm) or $\frac{13}{16}$ " (20mm). If a different spacing is required, source appropriate spacer blocks to achieve your desired slat spacing.

Spacer blocks are NOT removed after inserting slats and remain as part of the assembled screen.



STEP 7

Once all slats are in place, carefully reattach top cap with screws.



FINISHED!

HEIGHT ADJUSTMENT

To adjust height simply cut outer frame and inner gripping channel as required to desired height.

NOTE: Exact heights depend on spacing of slats. Please take care before cutting side frames to ensure height has been calculated correctly