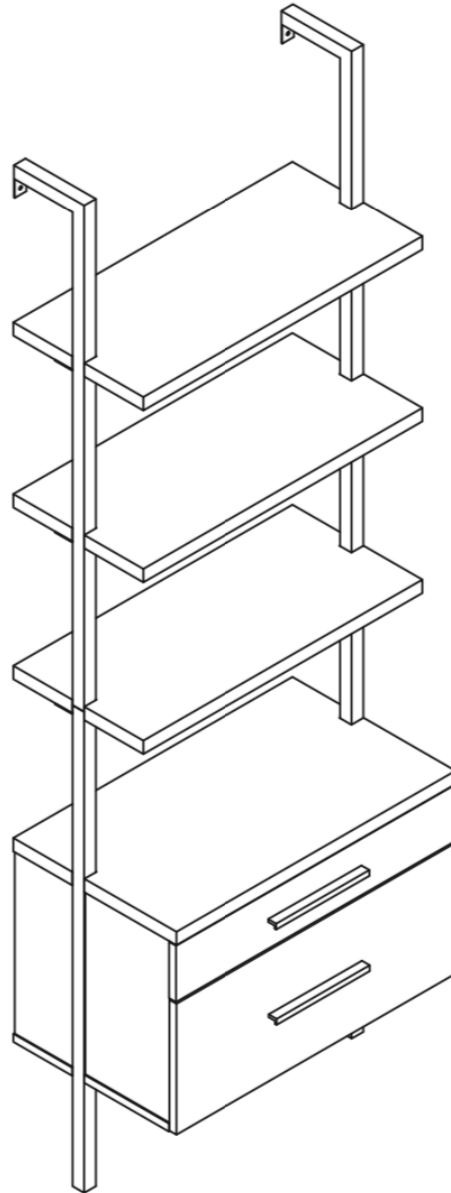


Let's build the

Theo Storage Bookcase



Scan me!

Inspiration
Digital Instructions
Free Lifetime Warranty

nathan james

21-0727

Ok, let's get rolling

This should be easy, just follow our instructions and you will be back to Netflix in no time.

Estimated time for assembly



45:00

What you need

- Some of your favourite bubbly or your preferred relaxant
- Use the packaging carton as a working surface to prevent product damage during assembly
- Phillips head screwdriver (not included)
- Drill (not included)
- 1/4" Drill bit (not included)
- 5/16" Drill bit (not included)

Weight Limitation



55

lbs per shelf

30

lbs per drawer

Toll-free at 1-866-619-1004
Help@nathanjames.com
Nathanjames.com/help

What's included

Description	Qty
A Left Side Frame Base Support	1
B Bookcase Frame Support (top with wall mount)	2
C Right Side Frame Base Support	1
D Bookcase Joint Attachment	2
E Bookcase Bottom Support	1
F Top Panel of Cabinet	1
G Bottom Panel of Cabinet	1
H Left Front Side Panel	1
I Right Front Side Panel	1
J Left Back Side Panel	1
K Right Back Side Panel	1
L Upper Drawer Front	1

Scan me!

Inspiration
Digital Instructions
Free Lifetime Warranty



What's included (cont.)

	Description	Qty
M	Bottom Drawer Front	1
N	Left Side Panel of Upper Drawer	1
O	Right Side Panel of Upper Drawer	1
P	Back Panel of Upper Drawer	1
Q	Left Side Panel of Bottom Drawer	1
R	Right Side Panel of Bottom Drawer	1
S	Back Panel of Bottom Drawer	1
T	Bottom Panel of Drawer	2
U	Back Panel of Cabinet	1
V	Bookcase Shelves	3



The goods

A



B



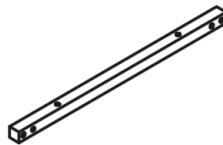
C



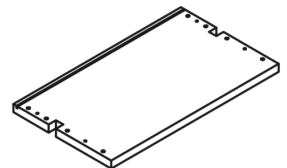
D



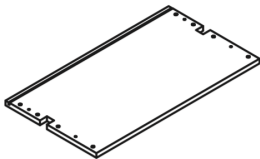
E



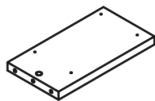
F



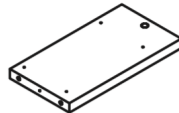
G



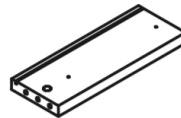
H



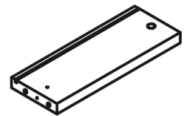
I



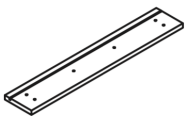
J



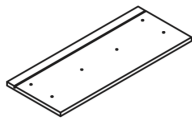
K



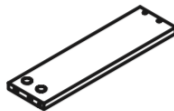
L



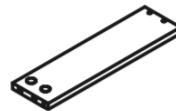
M



N



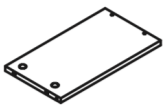
O



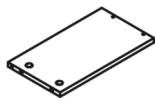
P



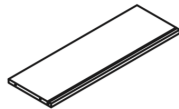
Q



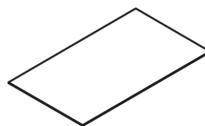
R



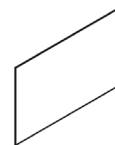
S



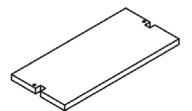
T



U



V

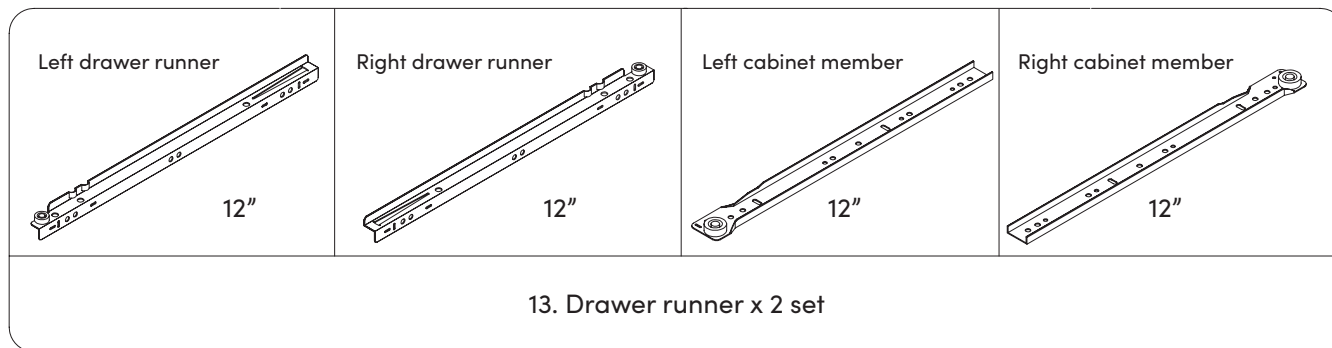
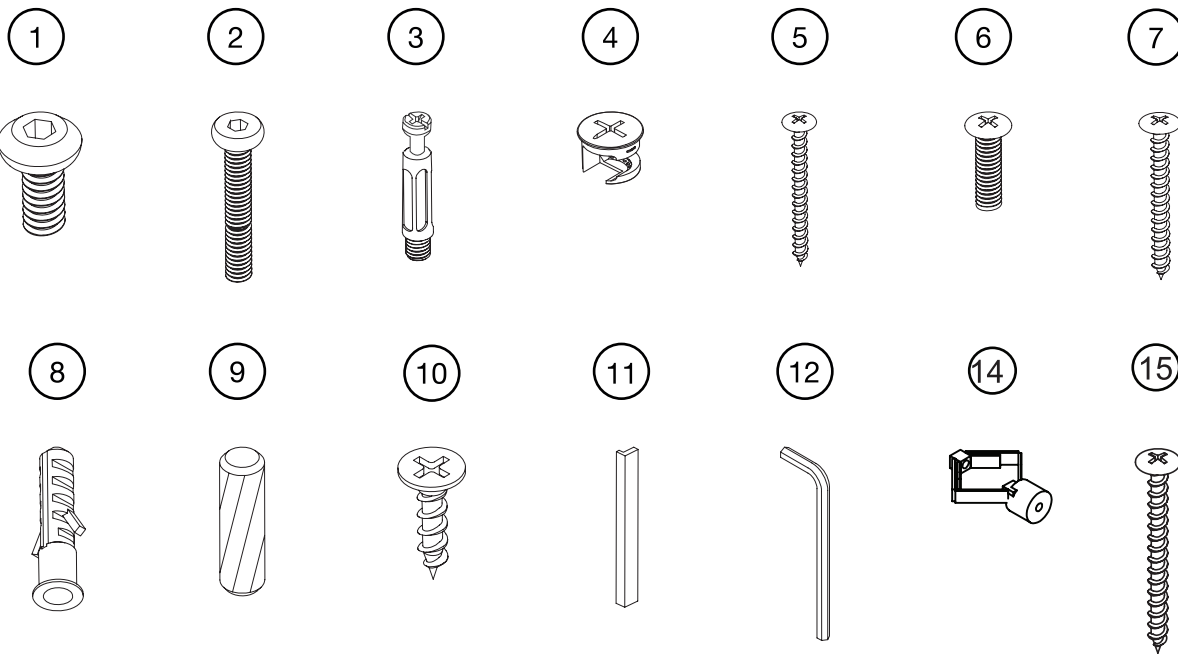


What's included (cont.)

	Description	Qty
1	M6*15mm Bolt	14
2	M6*35mm Bolt	2
3	M6*30mm Cam Bolt	12
4	15*9.5mm Cam Lock	12
5	M4*40mm Screw	12
6	M4 x 20mm Bolt	4
7	M4.2*32mm Screw for Non-drywall Anchor	2
8	M6*30mm Non-drywall Anchor	2
9	8*30mm Wooden Dowel	16
10	M3.5*12mm Screw	24
11	Handle	2
12	Allen Key	1
13	Drawer Runner Set	8
14	Drywall Anchor	2
15	M4.2*50mm Screw for Drywall Anchor	2



The goods



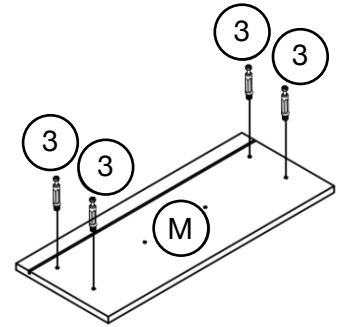
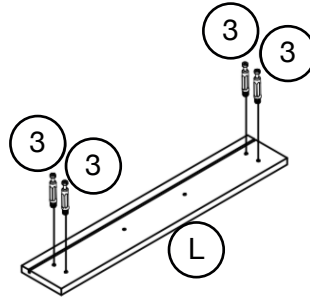
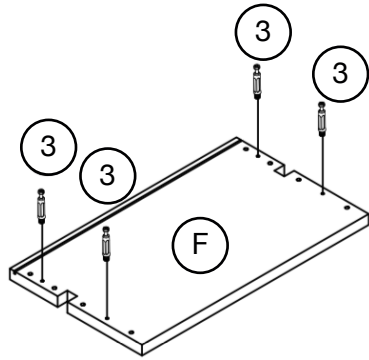
IMPORTANT

1. Do not tighten bolts / screws completely until all bolts / screws are lined up and inserted into holes.
2. Do not over tighten screws and bolts to avoid stripping.
3. Please use hand tools to assemble this product. Do not use power tools.



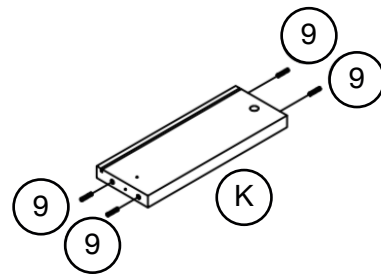
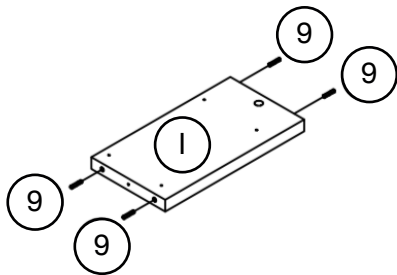
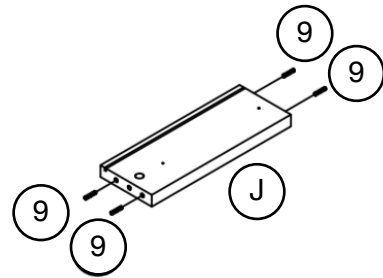
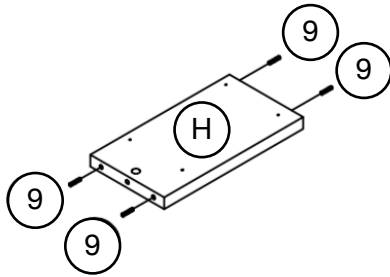
Step 1

Lay down the packaging carton or use carpet as a working surface and let's fire this thing up!



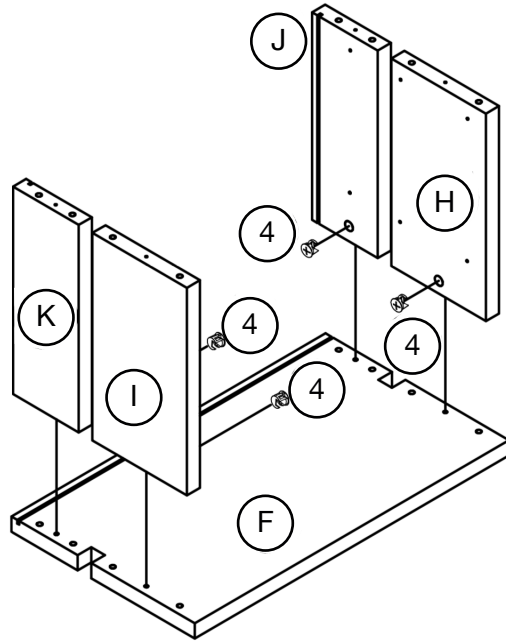
Step 2

Attach the wooden dowels.



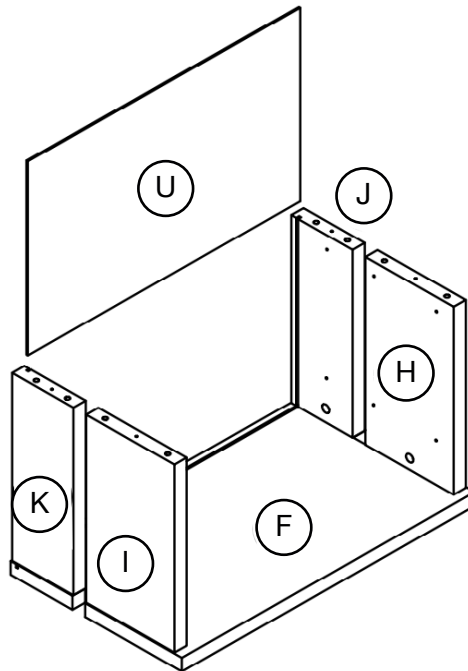
Step 3

Now attach the side panels to the top panel. You're doing great!



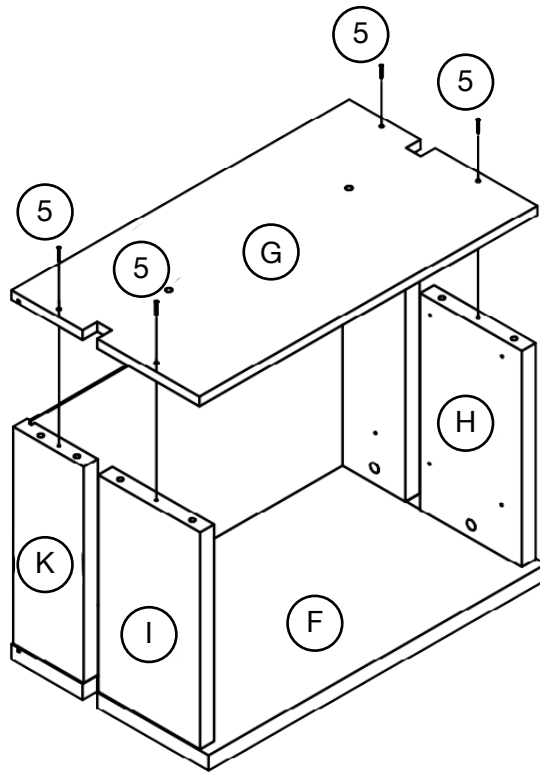
Step 4

Slide the back panel in the grooves until fitted securely.



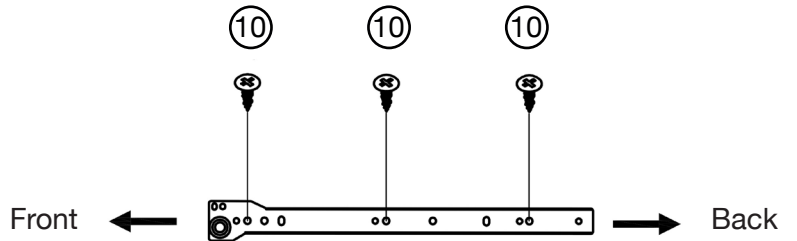
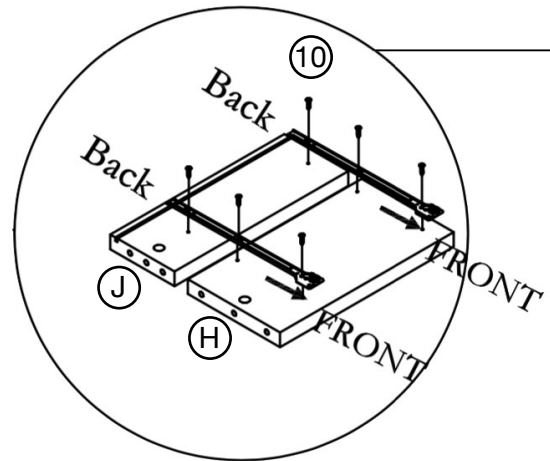
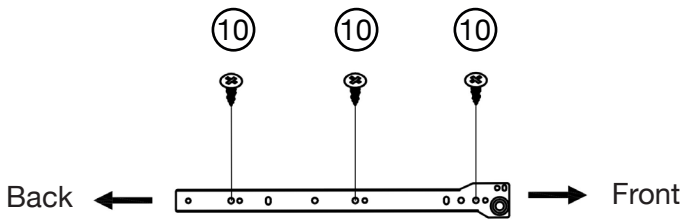
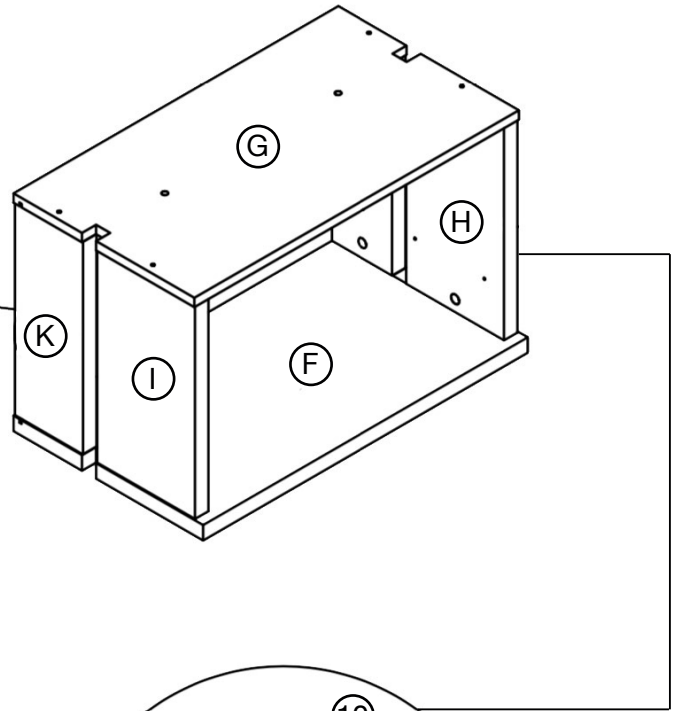
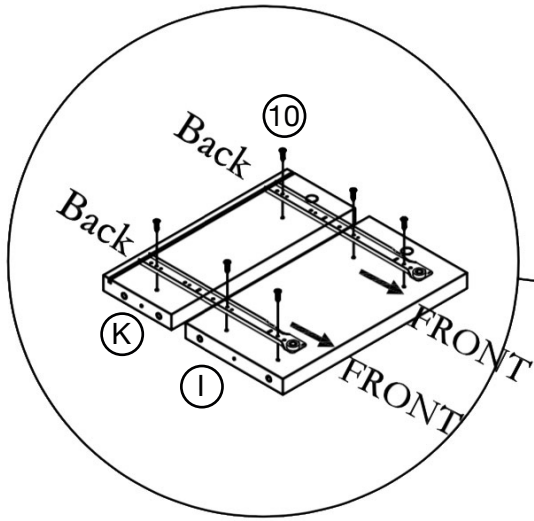
Step 5

Screw in bottom panel of cabinet.



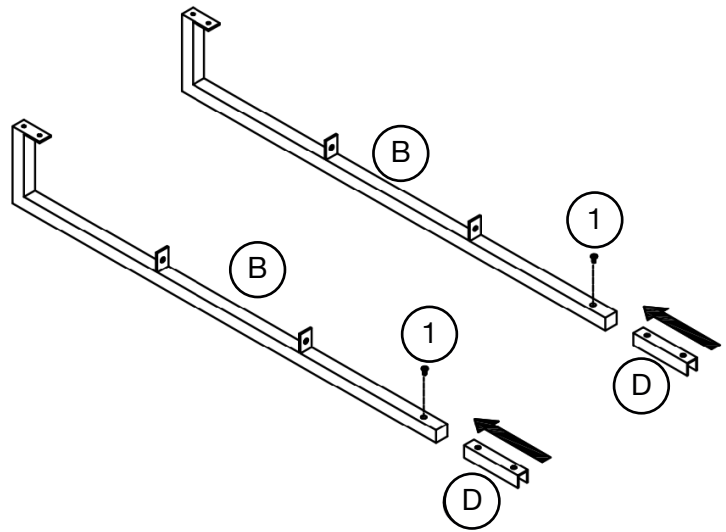
Step 6

Attach the cabinet members to the sides of the drawers, paying careful attention to screw them in the correct way!



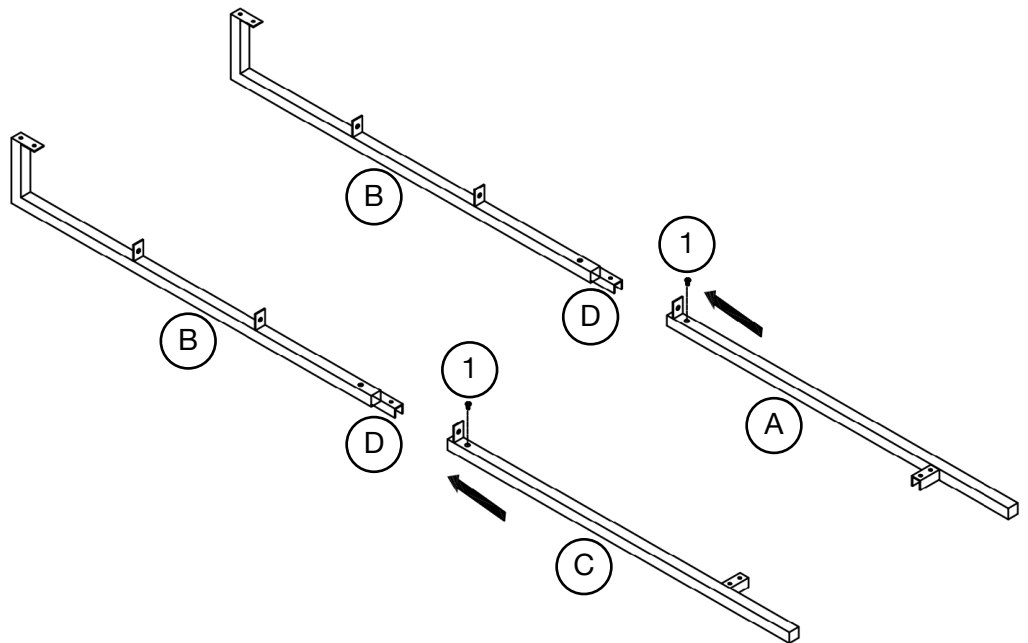
Step 7

Screw in part D to part B for both sets.



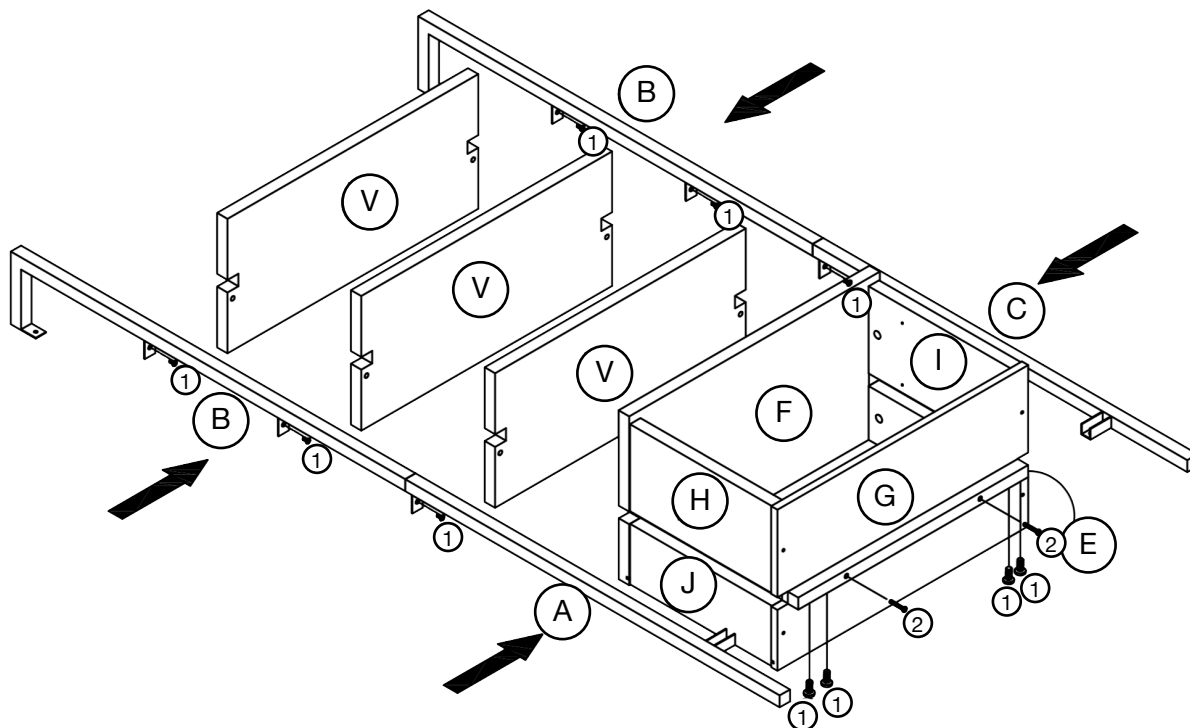
Step 8

Screw in the left and right side base frame supports. Now we're cookin'!



Step 9

Line up the bookcase shelves (part V) and the side supports and screw together tightly.

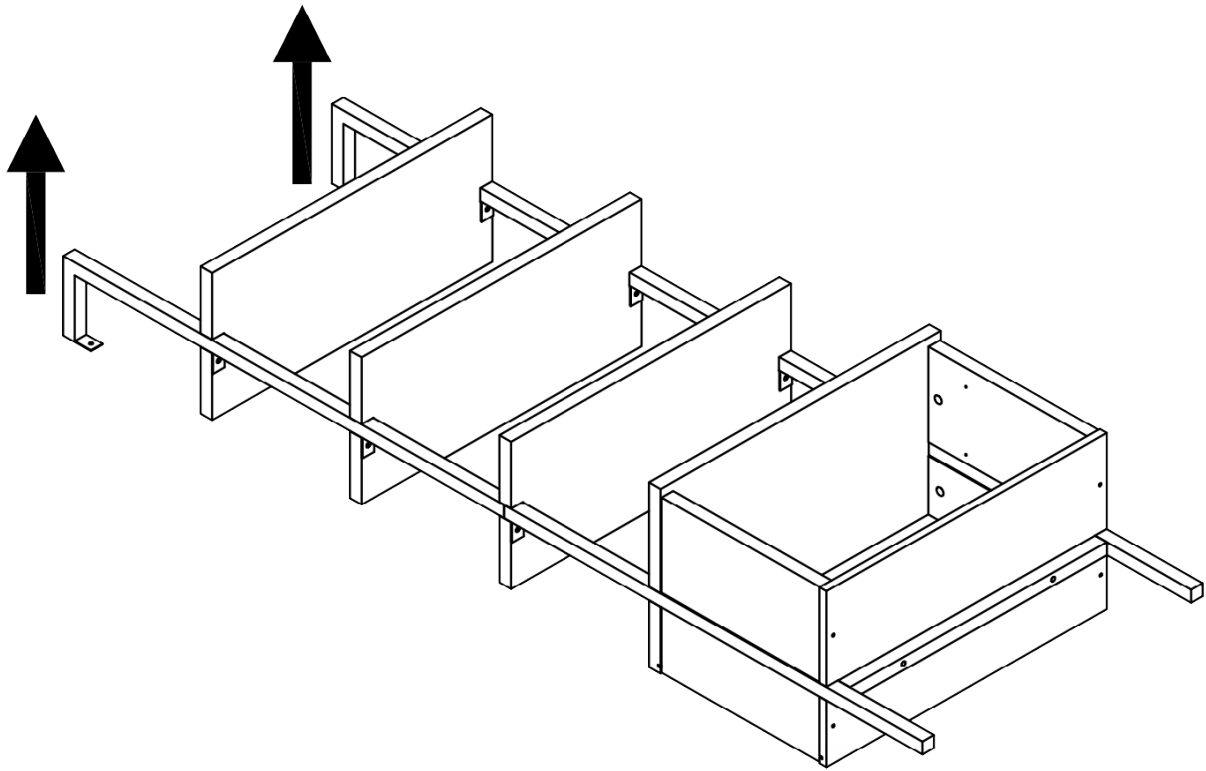


Heads up: the next step you'll need some help from a friend so start thinking of who you're going to ask now! Also start thinking about what pizza toppings you're going to order when this is all said and done!



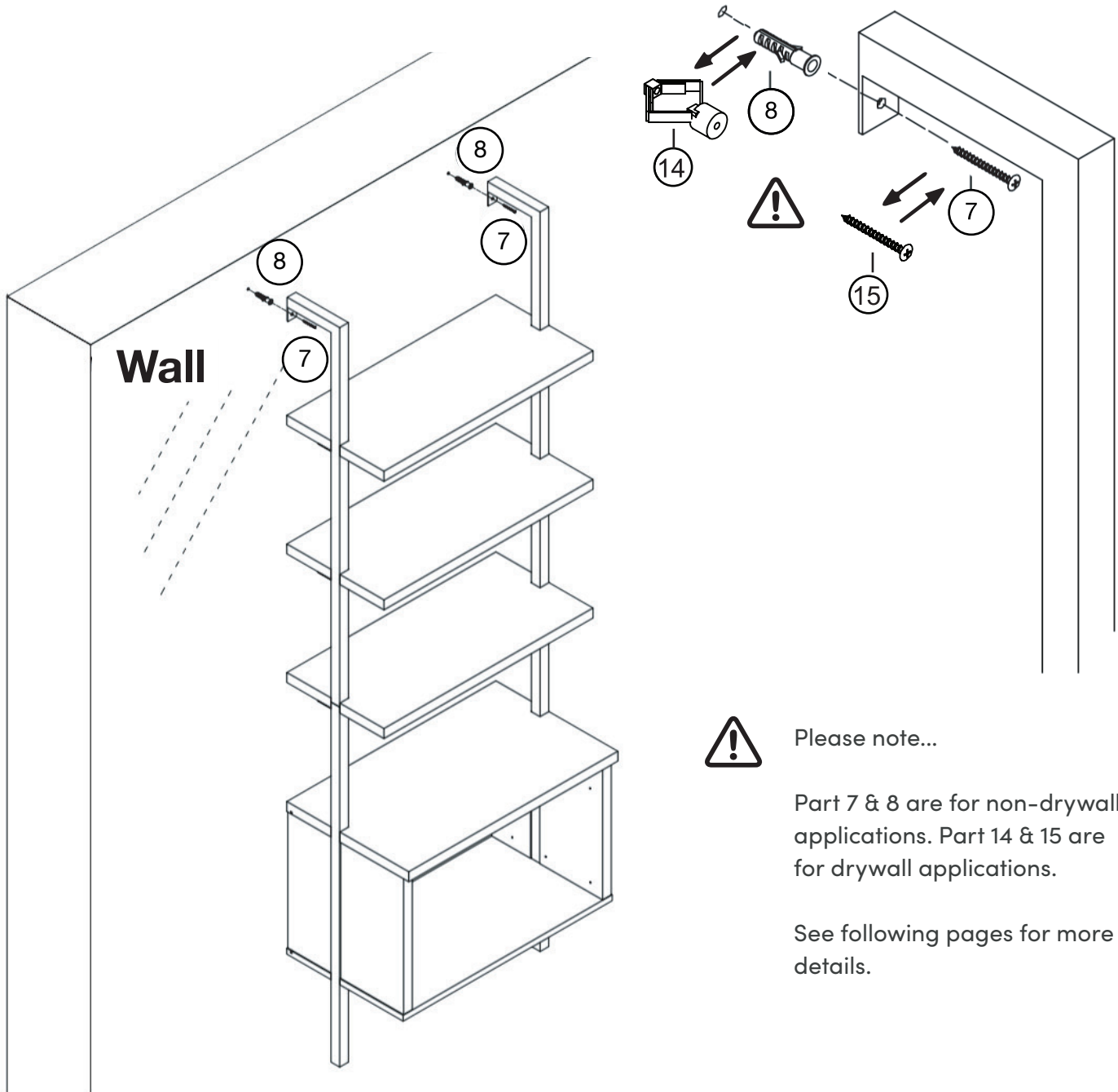
Step 10

Grab a friend and have them help you lift the bookcase right side up!



Step 11

Ok, we will admit this is our least favorite step, also. But, it's worth the possible 20-second meltdown because everything will look SO clean at the end!



Please note...

Part 7 & 8 are for non-drywall applications. Part 14 & 15 are for drywall applications.

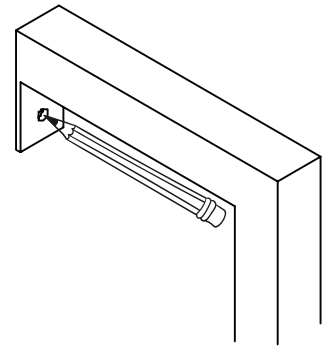
See following pages for more details.



Step 11 (cont.) Non-drywall application

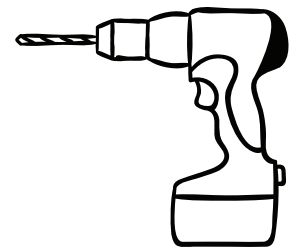
Mark it

Chose your desired location on the wall, have your friend hold the bookcase in place and use a pencil to mark where the anchor will go.



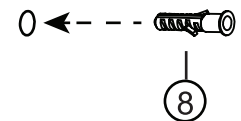
1/4" Drill bit

Move bookcase to the side and following the marks you just made, with a 1/4" drill bit, drill 2 holes into the wall.



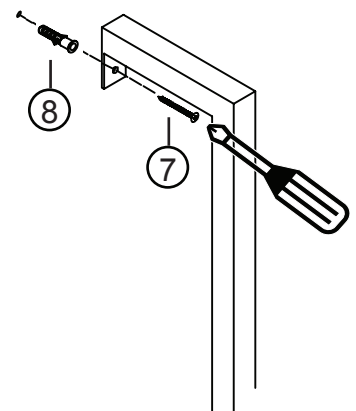
Insert the anchors

Go ahead and tap the wall anchors into place in the new holes that you just drilled. If you're feeling strong, just go ahead and push it in.



All about the angle

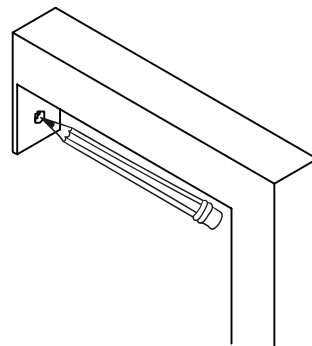
Insert 1 screw through each metal bracket and into the drywall anchor. Tilt your phillips head screwdriver, and secure but do not over tighten.



Step 11 (cont.) Drywall application

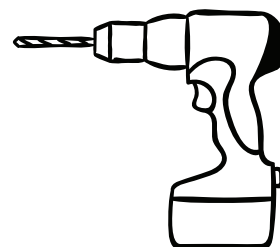
Mark it

Chose your desired location on the wall, have your friend hold the bookcase in place and use a pencil to mark where the anchor will go.



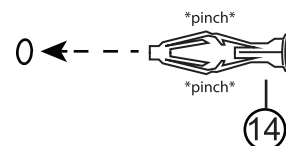
5/16" Drill bit

Move bookcase to the side and following the marks you just made, with a 5/16" drill bit, drill 2 holes into the wall.



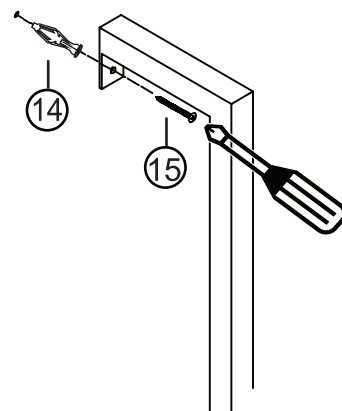
Insert the anchors

Go ahead and tap the wall anchors into place in the new holes that you just drilled.
If you're feeling strong, just go ahead and push it in.



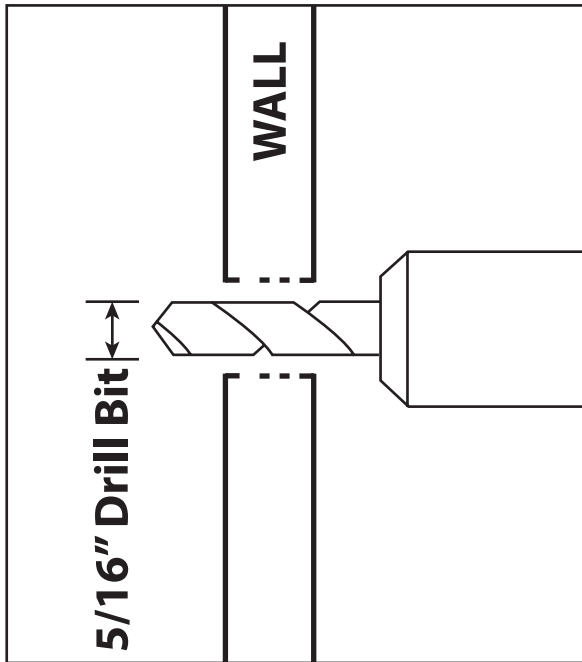
All about the angle

Insert 1 screw through each metal bracket and into the drywall anchor. Tilt your phillips head screwdriver, and secure but do not over tighten.

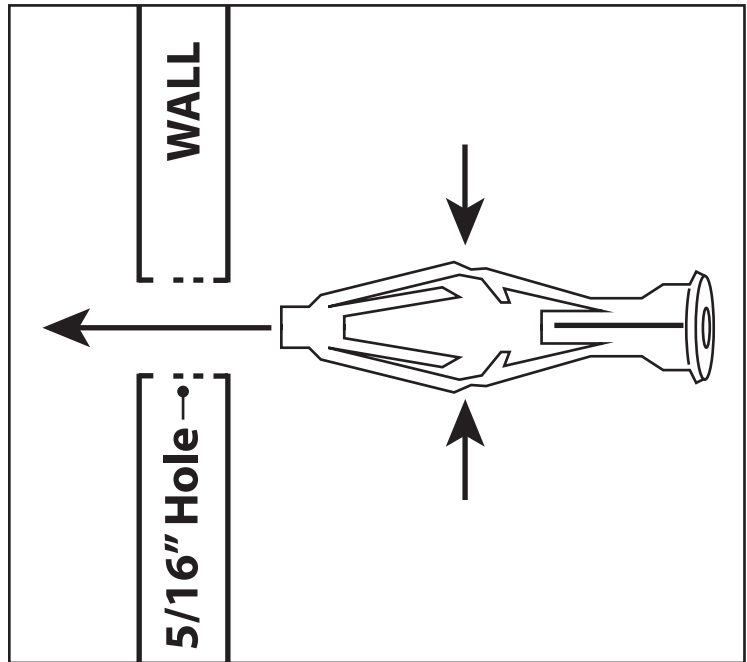


Step 11 (cont.)

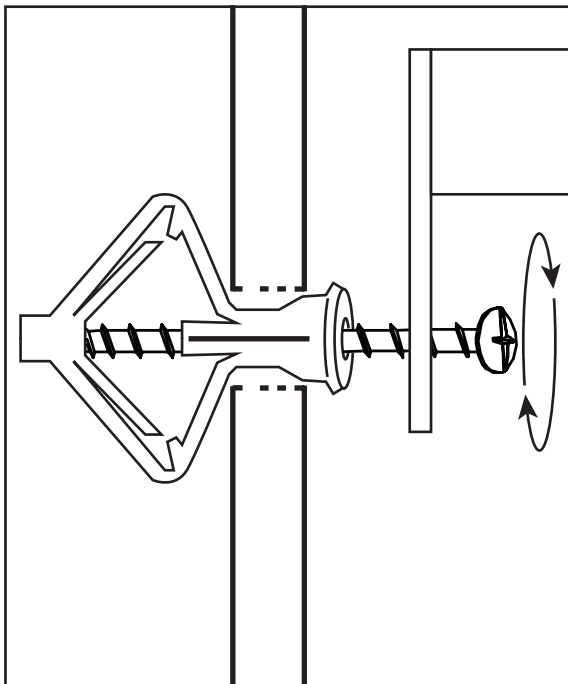
How to use drywall anchors



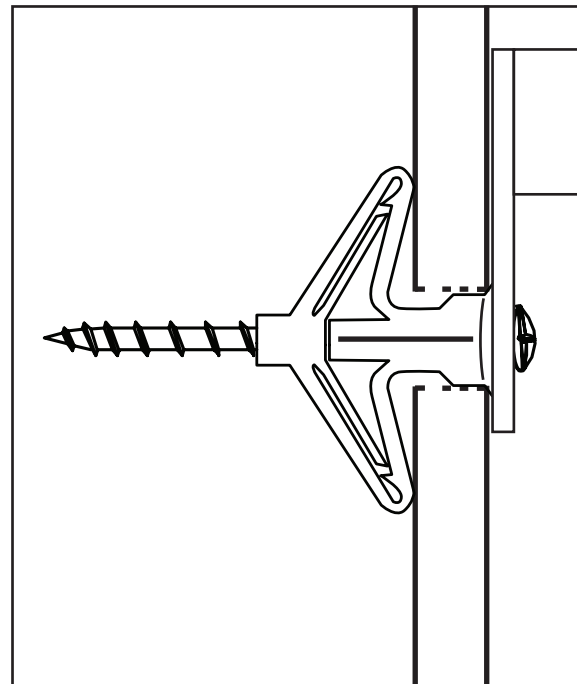
1. Drill hole with 5/16" bit



2. Pinch and insert



3. Begin tightening

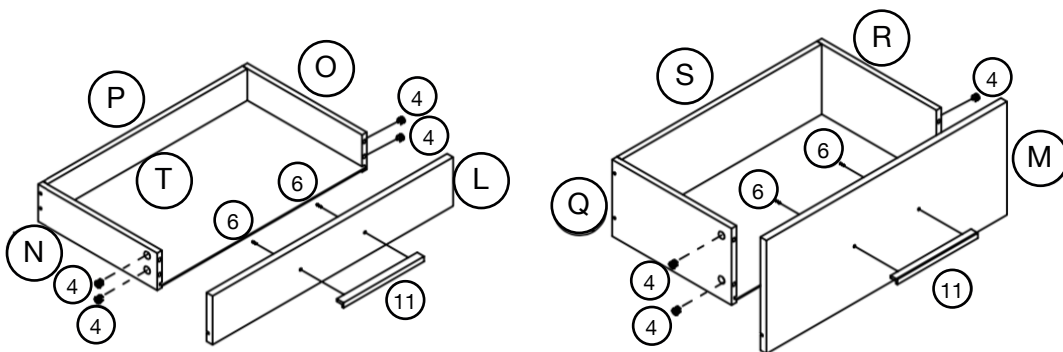
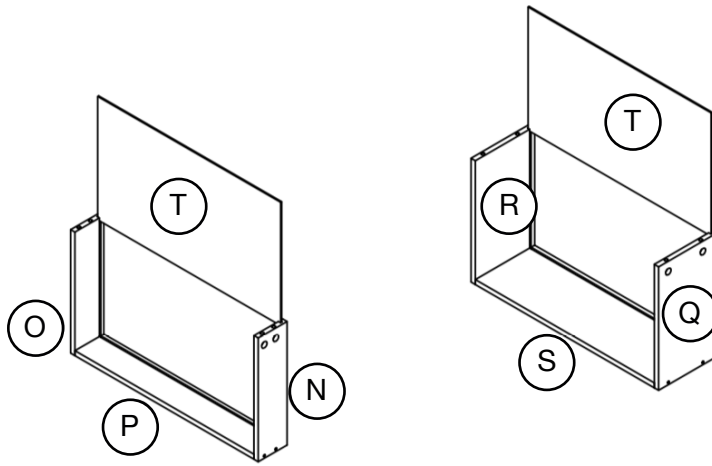
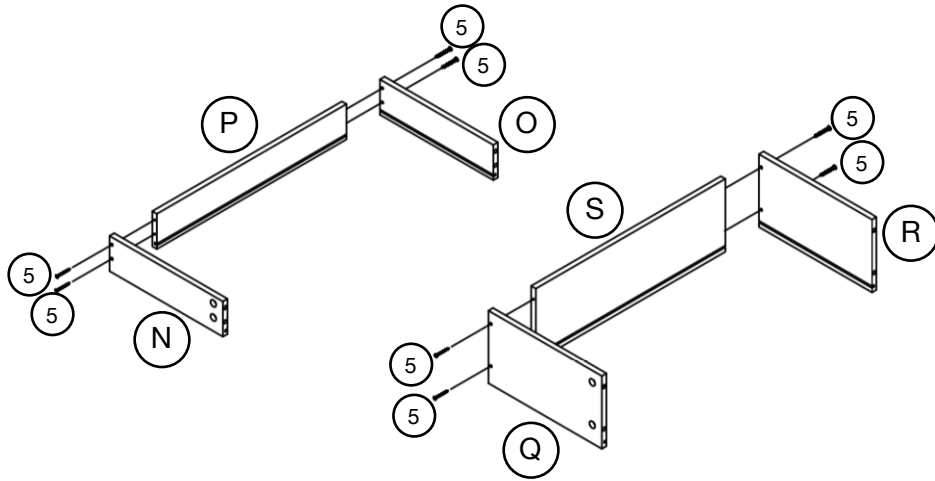


4. Tighten to 100%



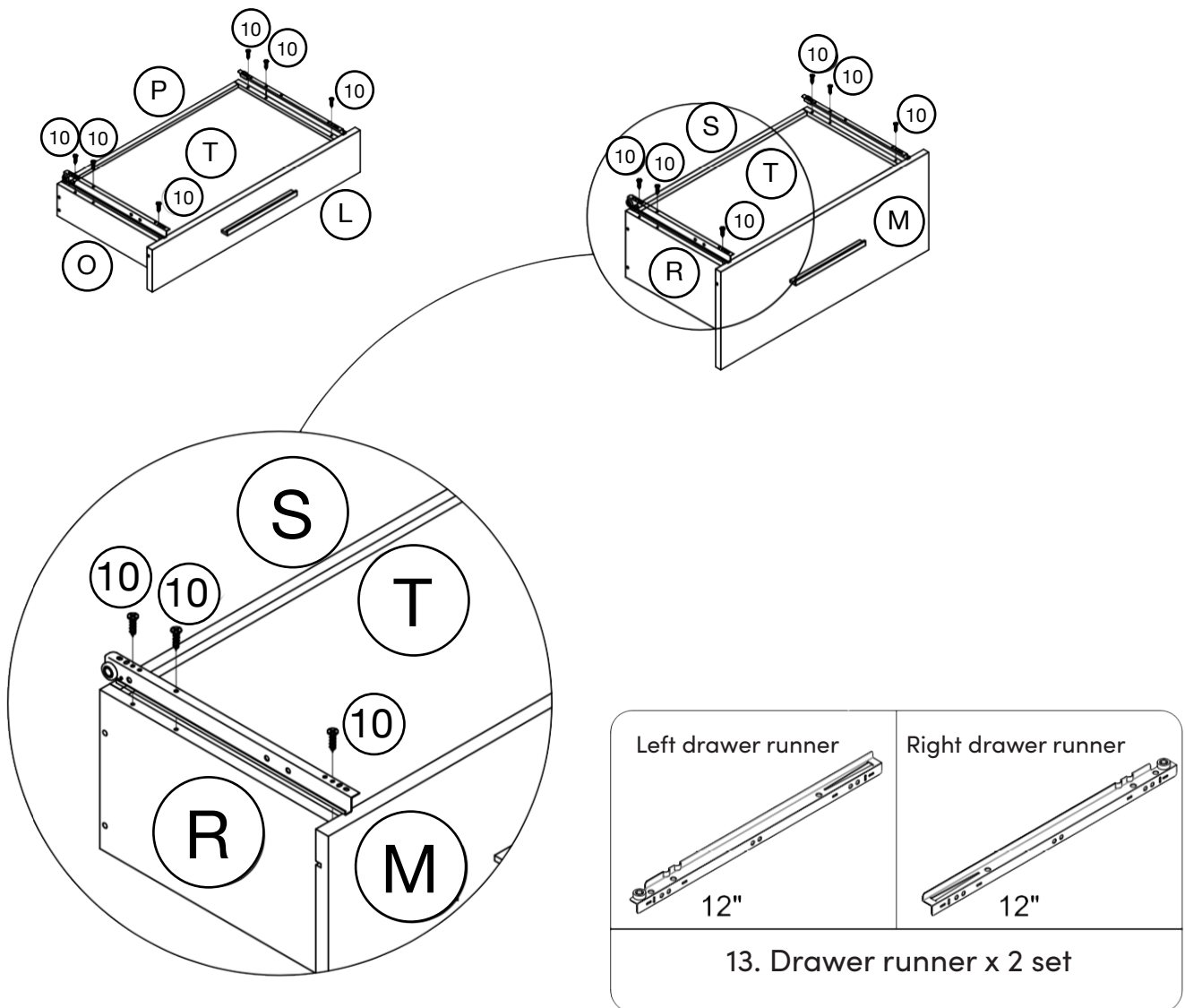
Step 12

Time to assemble the drawers! If you're feeling faint, now's the perfect time to grab a La Croix or drink of choice to get you through the last two steps.



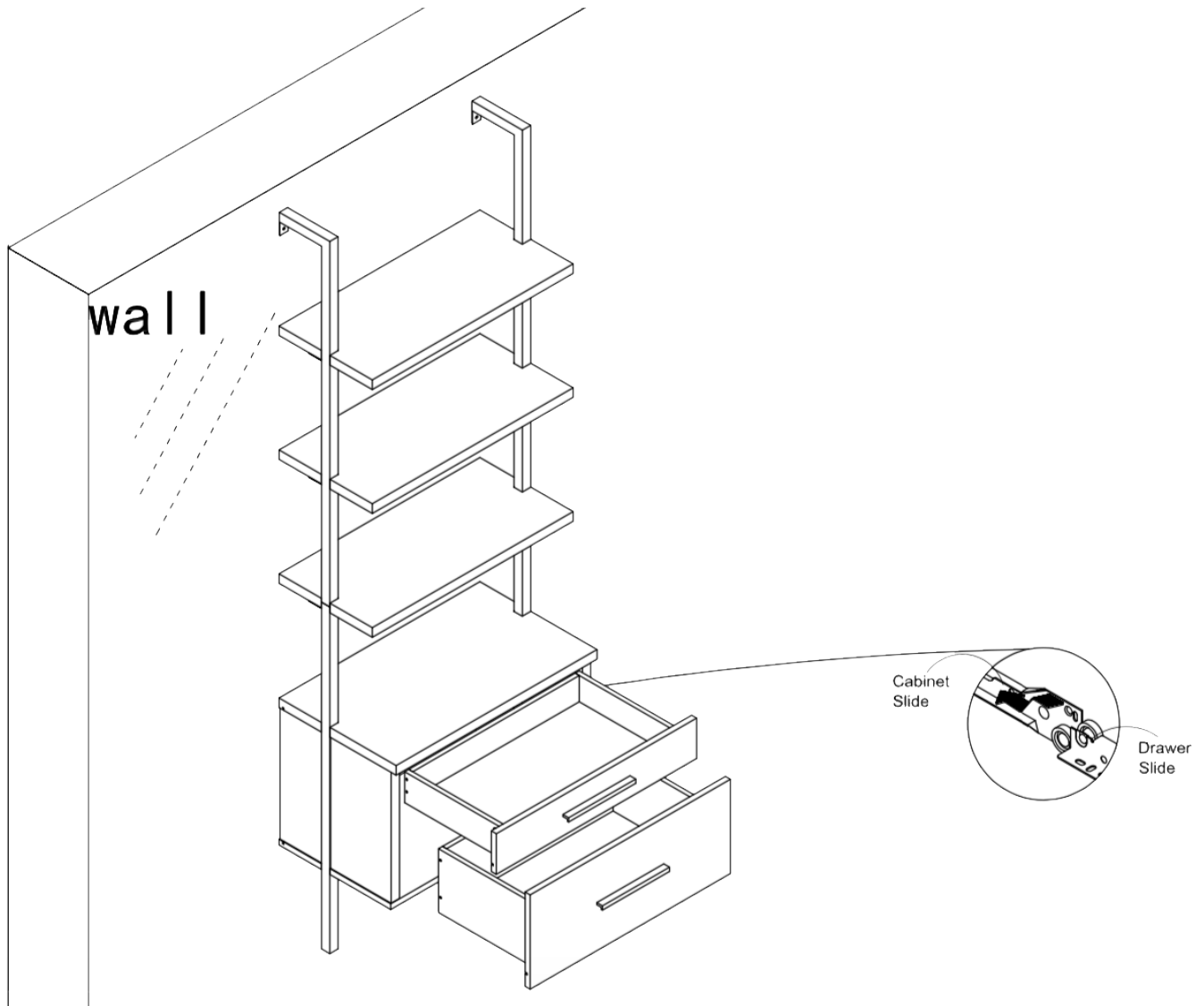
Step 13

Attach the drawer runners to the inside of the cabinets.
This will allow them to open and close smoothly!



Step 14

Last but not least, slide the drawers into the bookcase.
This calls for pizza! You deserve it!



No heartburn, when we handle the return

Give us a call **1-866-619-1004** or shoot us a message at **help@nathanjames.com** we will issue you a free replacement with **zero hassle**.

Our way



Give us a call



Replacement



You

Their way



Re-package item



Schedule pick up



Track package



Replacement



You

We really don't want you to go through the hassle of re-packaging your item and sending it back, because let's be honest...nobody has time for that.



Safety first, fun later

We want your Theo Storage Bookcase to last as long as possible, so we recommend that you tighten the screws 2 weeks after assembly and for added safety check the tightness of all screws every 2 months.

For proper care and treatment of wood & metal please check our website at NathanJames.com/products

Safe use of this product starts with you.

Use this bookcase responsibly with the primary concern for your safety. Follow assembly instructions carefully and inspect product upon receipt and each use.

Nathan James and its parent companies cannot be held legally responsible for any injuries or death resulted from failure to follow instructions or improper use of this product.

Do not modify the structure of this product in any way.

Our products have been tested to meet specific safety measures as they were originally intended to be sold. Any modifications will present the risk of creating significant safety issues which NJ will not be responsible for.

Proper use

- DO NOT** use for commercial purposes
- DO NOT** climb on bookcase
- DO NOT** exceed weight limit
- DO NOT** leave spilled liquid on shelves
- DO NOT** use if bookcase is damaged or broken
- DO NOT** make temporary repairs
- DO NOT** use outdoors



We are only in business if you're happy

For starters, thanks for being you.

☎ Toll-free at 1-866-619-1004

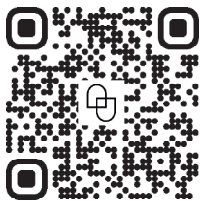
✉ Help@nathanjames.com

🌐 NathanJames.com/help

We do our best to ensure your furniture arrives without any problems, but occasionally mistakes happen—as humans we are imperfect beings. In the event that a part is damaged or missing, we will be more than happy to provide you with replacement part(s) for free.

Warranty

This product comes with a lifetime warranty from the date of purchase. Please use your phone to scan the QR code to register your product or visit <https://goo.gl/i9dk3q>



Did we do alright? Please spread the love!

If you are happy with your product, tell your friends and family about us or even better leave us a review online. Spreading the word gives us the opportunity to make more people happy and keep our prices low for your next purchase.

Brooklyn Burden

Founder, Nathan James