

Franklin Sensors™ 710+ PROFESSIONAL STUD FINDER

**IMPORTANT: READ BEFORE USING.
SAVE THESE INSTRUCTIONS.**

Operating/Safety Instructions

FRANKLIN SENSORS PROSENSOR 710+

Congratulations on selecting a Franklin Sensors stud finder – the most advanced wall sensing technology on the market. Your ProSensor 710+ incorporates advanced technology that precisely senses the surface in 13 locations simultaneously, then instantly identifies the location(s) of hidden object(s). It is quick, easy and accurate.

SAFETY RULES FOR THE PROSENSOR 710+

WARNING: Read all instructions before use. Failure to follow safety instructions may result in electric shock, fire, and/or serious injury and death.

SAVE THESE INSTRUCTIONS

WARNING: It is possible that there may be wood, metal, wiring, or other objects behind the surface that are not detected. It is also possible that the stud finder may detect pipes, wires, or other objects that the user may not want it to detect. The stud finder is designed to detect any inconsistency without identifying the nature of the inconsistency. The stud finder does not identify what type of object it detects. The illuminated LEDs may indicate the location of many different features including, but not limited to, studs, beams, water pipes, gas pipes, wires, an inconsistency in the surface material or paint, etc.

WARNING: TURN OFF all gas, water, and electric power before using any drilling or penetrating devices or equipment including drills, saws, routers, hammers, nails, screws, etc.

WARNING: The stud finder alone should not be relied upon exclusively to locate objects behind a scanned surface. Use other sources of information to help locate objects. Other sources of information may include, but is not limited to, construction plans, visible points of entry of pipes, location of switches and outlets, and standard stud spacing practices.

FAILURE TO TAKE THESE AND OTHER NECESSARY PRECAUTIONS COULD RESULT IN ELECTRIC SHOCK, FIRE, AND/OR SERIOUS INJURY AND DEATH.

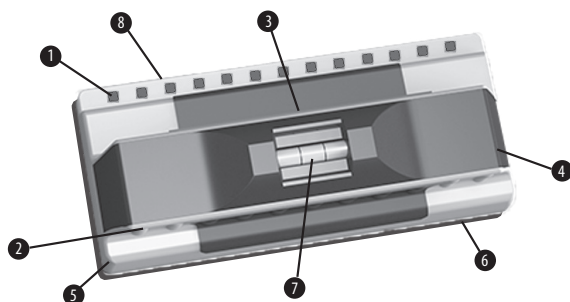
Clean

Before turning on, ensure that the stud finder is clean and dry. If necessary, wipe the stud finder dry using a clean cloth. If the detector is wet or dirty it may not operate properly.

Temperature

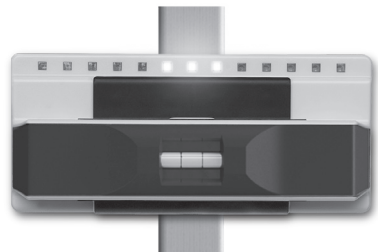
If the stud finder is subject to a significant temperature change, allow it to adjust to the ambient temperature before using. The entire area of the sensor board should be at a similar temperature for best operation.

OPERATING INSTRUCTIONS

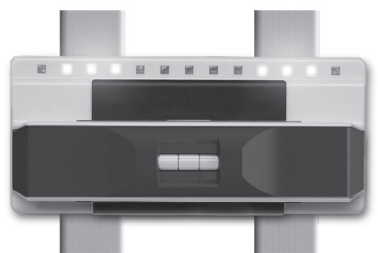


1. LED Lights
2. Ergonomic Handle
3. "On" Button
4. Battery Cover
5. Detector Housing
6. Sensor Board
7. Bubble Level
8. Ruler

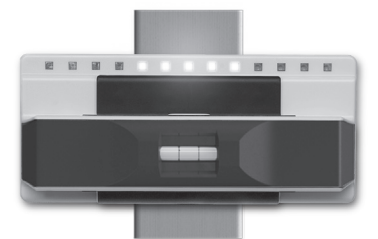
TO OPERATE:



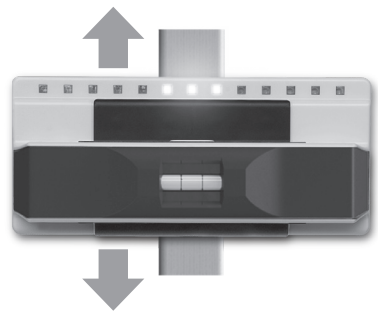
- Hold the stud finder by the handle. Do not touch the detector outside of the handle area while scanning.
- Place the ProSensor 710+ firmly against the surface. Press and hold the "on" button.
- With the button depressed, you may immediately begin scanning the wall. (No calibration or tuning is required.) As you scan, LED lights will immediately display the location of any hidden objects.
- The "on" button may be pressed before or after placing the stud finder on the surface to be scanned. The stud finder will operate if slid across the wall, but no sliding is required.



- If more than one hidden object is present, the stud finder will show the location of more than one hidden object.



- LED lights indicate the width of hidden object(s).



- On some surfaces it may be helpful to slide the stud finder up and down to confirm the location of a stud.

Handle Hold

When operating the ProSensor 710+ the hand should remain on the handle. Holding the 710+ on the sides may cause the unit to work inaccurately.

SENSING THROUGH DIFFERENT MATERIALS:

Moisture

The scanned surface should be clean and dry. Paint and wallpaper need to be completely dry before scanning for studs. It may take up to 2 weeks for wallpaper to dry enough to detect studs.

Foil-Backed Insulation

Although not common, foil-backed insulation can cause inconsistent readings with all electronic stud finders, including the ProSensor 710+.

Metallic Content in Wallpaper

Wallpaper with metallic content can block the detector's signals.

Textured Walls and Acoustic Ceilings

The ProSensor 710+ is capable of detecting studs through many textures and surfaces. The unit will however work most accurately if placed firmly against the flattest portions of the wall. For the best results, prior to beginning your scan, identify a horizontal area that is consistently the flattest.

Lath and Plaster

Irregularities in plaster thickness and variations in construction materials can make it difficult to locate studs behind lath and plaster walls. Also, the stud finder may not be able to detect if the plaster uses metal mesh reinforcement. Although many users have success, there is no guarantee the ProSensor 710+ will work on all lath and plaster walls.

Tile, Flooring, Roofing, and Exteriors

The ProSensor 710+ works by measuring the density of material behind the sensors to determine the location of studs. Due to the variability of density in tile flooring, roofing and exterior materials, we do not recommend the ProSensor 710+ for use in these applications.

STICKERS / DECALS

Do not place decals or stickers, especially metal decals or stickers on the sensor board, or on the stud finder in any place.

DISASSEMBLY / TEFLON PADS

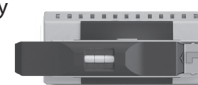
Do not disassemble the stud finder or remove the teflon pads that are on the bottom. The stud finder will not operate correctly without the teflon pads properly in place.

BATTERIES

The ProSensor 710+ uses 2 AA batteries Do not mix old and new batteries. Do not mix alkaline, standard or rechargeable batteries. For best performance, **use alkaline batteries only.**

REPLACING THE BATTERIES

- Remove battery cover, by sliding the cover to the left and lifting. Remove batteries and dispose of the batteries properly. Please recycle.



- Replace with new AA batteries.

- Replace battery cover. Close battery cover by sliding the cover to the right until it snaps into place.

ENVIRONMENTAL CONDITIONS

Franklin Sensors stud finders will work best when maintained in the following environmental conditions:

Storage

Temperature (0°F to 120°F)
(-18°C to 50°C)

Humidity

0% to 90%
Relative humidity
(non-condensing)

Operating

Temperature (32°F to 110°F)
(0°C to 43°C)

Humidity

0% to 90%
Relative humidity
(non-condensing)

DISPOSAL

Stud finders and packaging should be sorted for recycling.

FCC PART 15 CLASS B

REGISTRATION WARNING

This device complies with Part 15 of FCC rules. Operation is subject to the following two conditions:

1. This device may not cause harmful interference, and
2. This device must accept any interference received, including interference that may cause undesired operation.

LIMITED WARRANTY

Franklin Sensors warrants this product to be free from defects in material and workmanship for one year. This LIMITED WARRANTY does not cover products that are improperly used, abused, or altered. Defective products will be replaced or repaired. If a product is found to be defective within the warranty period, Franklin Sensors will, at its sole discretion, either repair or replace the defective product. This limited warranty does not apply to products that are subjected to freight damage, accident, abuse, alteration, misuse, improper repair, etc. Franklin Sensors and Franklin Sensors' authorized distributors shall bear no other liability or obligation under this warranty.

IN NO EVENT SHALL FRANKLIN SENSORS HAVE ANY LIABILITY FOR CONSEQUENTIAL OR INCIDENTAL DAMAGES INCLUDING, BUT NOT LIMITED TO, LOST PROFITS, DAMAGE TO GOODWILL, LOSS OF TIME, INCONVENIENCE OR OTHER COMMERCIAL OR ECONOMIC LOSS, and in no event shall Franklin Sensors be liable for damages exceeding the purchase price.

In the event of a product defect, please return the product postage paid with proof of purchase to:

Franklin Sensors Inc.
Attn: Returns Department
6675 N Pollard Ln.
Meridian, ID 83646
(208) 918-2403
returns@franklinsensors.com
Hours of Operation: Monday-Friday,
8 AM to 5 PM,
Mountain Time Zone

US Patents 8,476,912 8,593,163 8,669,772
8,736,283 8,791,708 8,836,347 8,884,633
US and Foreign Patents Pending.

FS710+E3 (12/18)

TROUBLESHOOTING

CONDITION	PROBABLE CAUSE	SOLUTION
No LED lights come on.	Weak battery.	Replace with 2 new AA alkaline batteries. Do not mix old and new batteries.
Stud finder only works momentarily.	The "on" button isn't being held down.	Hold the "on" button down until you have completed your scan.
The LED lights are indicating the location of pipes and wires, not just studs.	The ProSensor 710+ indicates the location of inconsistencies. The LED lights may indicate the location of a pipe, electrical wiring, other objects near the surface being scanned, or an inconsistency in the surface material or paint, etc.	Look for evenly placed studs on either side. Scan above the location and below the location to confirm results. Use caution before penetrating wall. See the SAFETY RULES FOR THE PROSENSOR 710+.
Difficulty starting a scan near doors and windows.	Solid headers and triple studs are often present around doors and windows. The ProSensor 710+ indicates the change in density. If all the sensors sense the same density, the LEDs will not illuminate.	Begin the scan away from the window or door, then move the stud finder to the area around the window or door. For best results, keep stud finder 3"/7cm away from wood trim, outlets, switches, etc.
Stud finder doesn't work through new wall paper.	The moisture in the wall after wall papering can block the stud finder's signal.	Wait until the wallpaper is dry. It may take up to 2 weeks for the paper to dry sufficiently.
My house was built prior to about 1960. The walls are lath and plaster. The stud finder doesn't work very well anywhere in my house.	Older houses that were built with lath and plaster, instead of sheet rock, often have too much inconsistency in the walls for the detector to work reliably.	Try using the stud finder at a higher point on the wall, or a lower point on the wall.
Inconsistent readings.	Curved surface.	Press the stud finder firmly against the wall so that the contour of the sensor board matches the slight contour of the wall.
	Anomaly in the surface material.	Test at a higher location, or lower location on the wall.
	Sometimes after scanning the wall for a period of time the readings seem to be less consistent.	Release the button and press the button again.
When I put my hand in front of the sensor board, the readings are not what I would expect.	The stud finder is designed for detecting features in walls, not hands.	Place the stud finder on the wall to detect hidden features.
The LED lights sometimes seem to light up sporadically or inconsistently.	Wires, pipes, or other construction inconsistencies can cause erratic or erroneous readings. Features on the opposite side of a wall may also be a source of inconsistent readings.	Test at points on the wall that are higher, or lower. The stud finder may also work best if it is used more than 3"/7cm away from metal objects such as outlets, light switches, etc.