

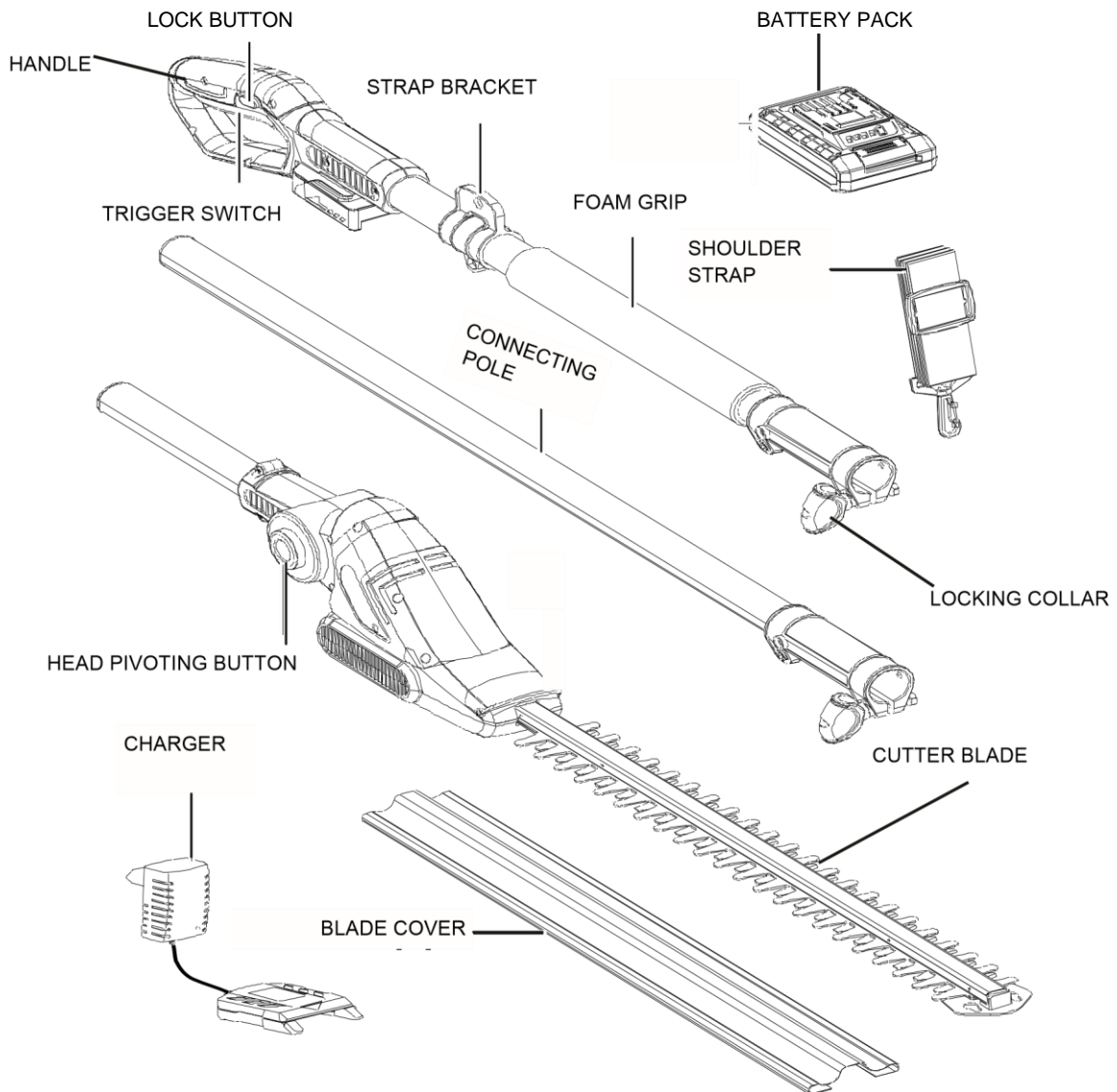
# FEATURES

## PRODUCT SPECIFICATIONS

### LPHT12022

Input.....	20V, 2.0Ah, DC Only
Speed .....	2600 Strokes per Min.
Blade Length.....	20 in.
Maximum Cut.....	5/8 in.
Weight .....	7.3 lbs.

Aluminum Blade Support - Rubber Over Molded Handle - Hardened Steel Blades



# ASSEMBLY

**UNPACKING**

This product requires some assembly.

Carefully remove the product and any accessories from the box. Make sure that all items listed in the packing list are included.