

RNG – 100P

100W Polycrystalline Solar Panel



Key Features

- Top Ranked PTC Rating
- High Module Conversion Efficiency
- Fast and Inexpensive Mounting
- Maximizes System output by reducing mismatch loss
- 100% EL testing on all Renogy Modules, Guaranteed no Hot Spots



Electrical Characteristics

Maximum Power at STC (Pmax)	100 W
Optimum Operating Voltage (Vmp)	17.8 V
Optimum Operating Current (Imp)	5.62 A
Open Circuit Voltage (Voc)	22.4 V
Short Circuit Current (Isc)	5.92 A
Maximum System Voltage	600 VDC (UL)
Maximum Series Fuse Rating	15 A

STC: Irradiance 1000W/m², Temperature 25°C, AM =1

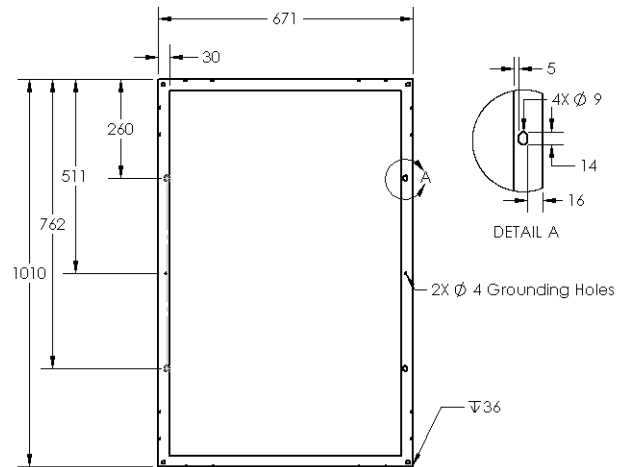
Mechanical Properties

Solar Cell	Polycrystalline (156 x 104 mm)
# of Cells	36 (4 x 9)
Dimensions	1010 x 680 x 35 mm (39.7 x 26.7 x 1.4 in)
Weight	7.5 kg. (16.5 lbs.)
Front Glass	3.2 mm (0.13 inches) Tempered Glass
Frame	Anodized Aluminum Alloy
Junction Box	IP65 Rated
Output Cables	4.0 mm ² (0.006 in ²), 800mm (31.5 in)
Connectors	MC4 Connectors
Fire Rating	Class C

Temperature Characteristics

Operating Module Temperature	-40°C to +80°C
Nominal Operating Cell Temperature (NOCT)	47±2°C
Temperature Coefficient of Pmax	-0.44%/°C
Temperature Coefficient of Voc	-0.30%/°C
Temperature Coefficient of Isc	0.04%/°C

Module Diagram



IV-Curve

