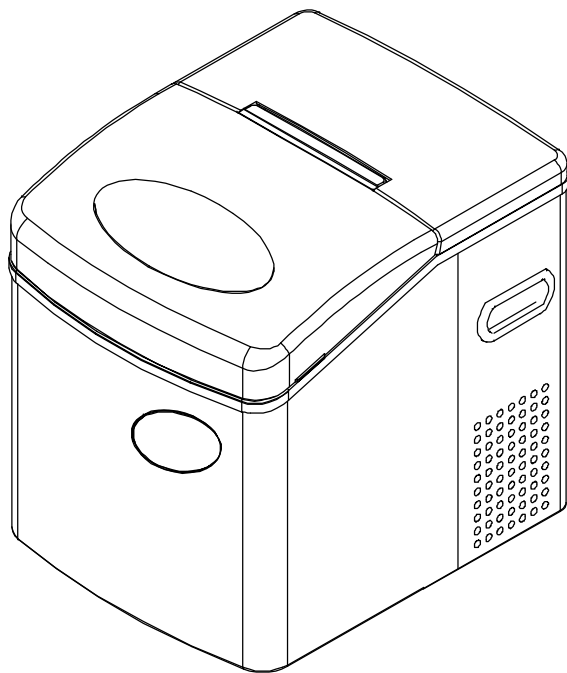


FRIGIDAIRE®

48 LBS

22 KGS

ICE MAKER



* This ice maker is not designed to keep ice frozen. After each use, remove all ice cubes, drain the water.

FRIGIDAIRE is a pending or registered trademark used under license from Electrolux Home Products, Inc.
Made In China

USER MANUAL

EFIC115-SS

IMPORTANT SAFEGUARDS



When using electrical appliances, basic safety precautions should always be followed, including the following:

1. **Read all instructions carefully.**
2. **DANGER!** To protect against risk of electric shock, do not immerse cord, plug, or any parts of the unit in water or other liquids.
3. Close supervision is necessary when using this appliance near children. This appliance is not suitable for use by children.
4. Never leave an appliance unattended while in use.
5. Do not place an appliance on or near a hot gas or electric burner, or in a heated oven. Do not place on top of any other appliance.
6. Do not let the power cord of an appliance hang over the edge of a table or countertop or touch any hot surface.
7. Do not operate any electrical appliance with a damaged cord or plug or after the appliance malfunctions, or has been dropped or damaged in any manner. If damage is suspected, contact the nearest authorized service centre for examination, repair, or electrical or mechanical adjustment.
8. Unplug from power outlet when not in use, before putting on or taking off attachments, and before cleaning.
9. The use of accessory attachments that are not recommended by the appliance manufacturer may cause fire, electric shock or injury.
10. Avoid contact with moving parts when the unit is in operation.
11. Never touch the cooling elements when the unit is in operation.
12. Do not use outdoors.
13. Do not use appliance for other than its intended use.

SAVE THESE INSTRUCTIONS HOUSEHOLD USE ONLY

UNPACKING YOUR ICE MAKER



1. Inspect and remove all packing materials. This includes the foam and any adhesive tape both inside and outside of the unit.
2. Inspect and remove any remains of packing, tape, or printed materials before powering on your appliance.



WARNING

Please read this manual carefully before using.
Retain it for your future reference.

PRODUCT REGISTRATION

Keep for your records to obtain warranty service

Thank you for purchasing this quality product. This easy-to-use manual will guide you in getting the best use out of your appliance.

Remember to record the model and serial number. They are on a label in back of the appliance.

Model number

Ice maker serial number

Date of purchase

Staple your receipt to your manual.

You will need it to obtain warranty service.

SAFETY INSTRUCTIONS

Electrical Requirements

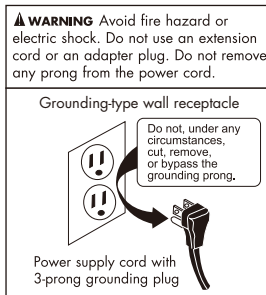
Wiring and Grounding Instructions

This appliance must be plugged into at least a 15 AMP 115 VOLT 60 Hz GROUNDED OUTLET. This appliance must be grounded. It is equipped with a 3-wire cord having a grounding plug. The plug must be plugged into an outlet that is properly installed and grounded.

WARNING! Improper use of grounded wire can result in the risk of electric shock. Consult a electrician if necessary. Do not attempt to defeat this safety feature by modifying the plug.

Avoid the use of an extension cord because it may overheat and cause a risk of fire. However, if it is necessary to use an extension cord:

- A. Use only 3-wire extension cords with a 3-blade grounding plug.
- B. The marked rating of the extension cord must be equal to or greater than the rating of this appliance.
- C. The cord should be positioned such that it does not drape over the counter or tabletop where it can be pulled on by children.



Attempting any maintenance or cleaning:

To minimize the possibility of electric shock, unplug this appliance from the power supply or disconnect at the household distribution panel by removing the fuse or switching off the circuit breaker before attempting any maintenance or cleaning.

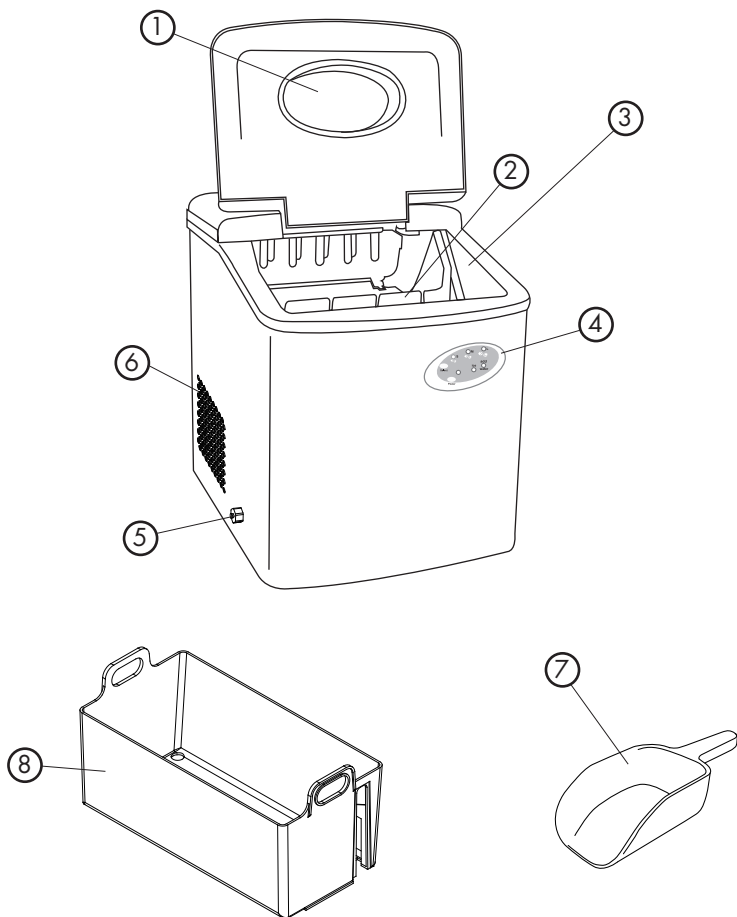
NOTE: Disconnect power plug from the power outlet before maintenance or cleaning

TABLE OF CONTENTS

| | |
|--|-----------|
| Important Safeguards | 1 |
| Safety Instructions | 3 |
| Parts, Functions and Features | 5 |
| Operating Instructions | 7 |
| Pre-Operating Instructions | 7 |
| Operating Instructions..... | 8 |
| Operating Process..... | 9 |
| Cleaning and Maintenance | 10 |
| Troubleshooting Guide | 11 |

| | |
|-----------------------------|--------------------------|
| Specifications | Model No.EFIC115-SS |
| Electrical Shock Protection | Class 1 |
| Power | 115 V 60 Hz |
| Ice Making Current | 2.1 Amp |
| Ice Harvest Current | 3.2 Amp |
| Refrigerant | R134a/3.35 Oz. |
| Design Pressure | |
| High Side | 290 Psig |
| Low Side | 88 Psig |
| Dimensions | 14.96" x 17.13" x 16.96" |
| Weight | 37.9 lb (17.2 kg) |
| Enclosure | Stainless steel |

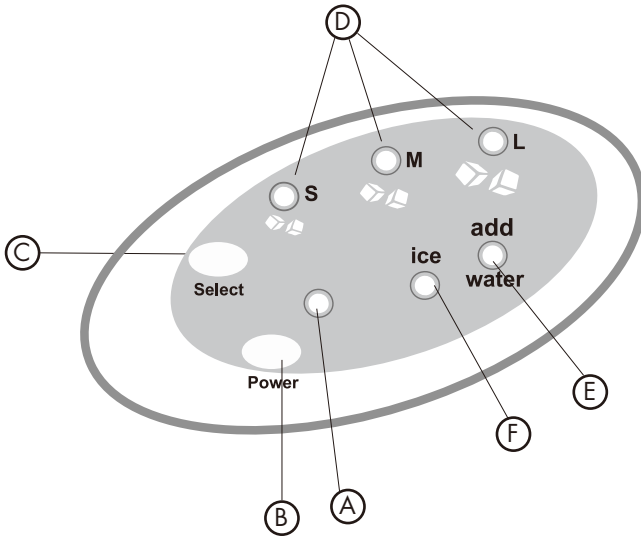
PARTS, FUNCTIONS AND FEATURES



1. Cover with transparent window
2. Ice maker and pusher
3. Water reservoir (not shown)
4. Control panel
5. Water drain cap: for draining water from ice water
6. Compressor cooling fan (do not block air flow)
7. Ice shovel
8. Ice basket

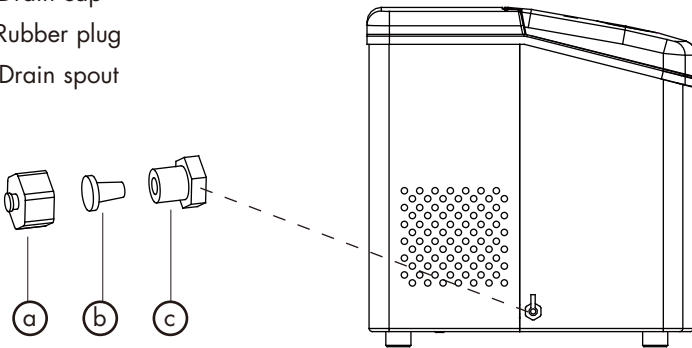
Control Panel: Easy to use, button function with LED indicators

- A. Power on LED indicator light
- B. On/off POWER button
- C. Ice cube SELECT SIZE button
- D. Selected ice size LED light indicator displaying: small, medium, or large ice cubes
- E. ADD WATER LED indicator (Alerts that there is no water in the water reservoir), must add water
- F. ICE FULL LED indicator



Water Drain: Do not lose any parts. (Failure to put rubber plug back will cause water to leak.)

- A. Drain cap
- B. Rubber plug
- C. Drain spout



Drain water before storing ice maker, or when appliance will not be used for long periods


OPERATING INSTRUCTIONS

This portable ice maker uses a fully-automatic control system, with an advanced microcomputer for easy and convenient ice making. Making ice is simple and fast. Just add water, plug into an outlet, and press the POWER button. You can select one of three ice cube sizes with the touch of a button. When first turning on the unit, or during ice-making cycles, the compressor will stay idle for 3 minutes, while energizing.

There are warning indicators that alert you to fill water when the reservoir is empty and to remove ice when the storage basket is full. The ice maker also has built-in safeguards that can limit accidental damage, automatically shutting down the system when necessary.

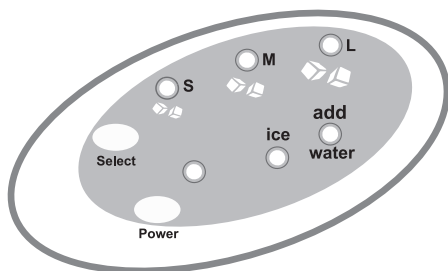
Pre-Operating Instructions

Please read carefully.

1.  The tilted angle of the ice maker cabinet should not exceed 45° during transportation or use. Do not turn the appliance upside down.

Inverting the ice maker could cause the compressor or refrigerating system to operate incorrectly. When the ice maker is moved or transported, please allow time for the fluids in the compressor to settle. Before using the ice maker for the first time, please wait 2 hours after the unit has been leveled and positioned in its proper place before plugging it in and turning it on.

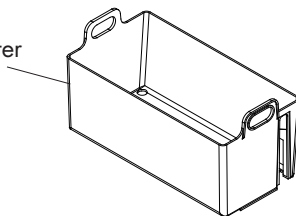
2. Please ensure the ice maker is level and on a stable table or platform to avoid malfunction.
3. The machine must be placed on a dry and level surface with sufficient ventilation, far from heat sources such as ovens, heaters and corrosive gases. Leave an 8" (20 cm) clearance on all sides of the ice maker for proper ventilation.
4. Do not fill the water reservoir with hot water. This may damage the ice maker. It is best to fill the water reservoir with water of room temperature or lower.



Operating Instructions

1. Open the top cover, take out the ice storage basket and fill the water reservoir with 0.8 gallons (3.2 L) of drinkable (tap, purified or bottled) water to the level mark and replace the ice storage basket.

Lift ice basket to add water



Make sure that the water level does not reach above the level mark or the bottom of the ice storage basket. Close the top cover.

Note: During the operation process, if the level of water in the water reservoir becomes too low, the machine will automatically stop operating and the ADD WATER LED indicator light will appear.

2. Plug the unit into a grounded outlet. Push the POWER button on the control panel to turn on the machine.
3. Select the desired size of ice cubes by pressing the S, M, or L ice selector button.

S = small ice cubes

M = medium ice cubes

L = large ice cubes

The ice maker will start making ice soon after.

Note: To stop the operation, press the POWER button.


Operating Process

1. Water is pumped from the water storage tank to the water box, which may take up to 1 minute.
2. The ice-making cycle begins when the evaporator rods are dipped into the water box. You will hear the compressor working.
3. It will take approximately 8 - 13 minutes for each ice-making cycle, depending on the size selected. The larger the size, the more time is needed to make the ice. After the cycle is finished, the water box will tilt forward and the remaining water will flow back into the water storage tank. The evaporator rods will then release the ice cubes.

Note: If the room ambient temperature is below 60°F (15°C), then small or medium ice cube sizes are suggested to prevent ice cubes from fusing together.

4. Approximately 60 seconds later, the water box will tilt backwards and the ice pusher will push the ice into the ice storage basket. After the water box flips back to its original position, the next ice-making cycle will begin.
5. When the maximum capacity of ice cubes is collected and the ice reaches the temperature sensor, the ice maker will automatically stop operating. The ICE FULL LED indicator will light up.

If more ice is needed, remove the ice from the ice storage basket; then, replace the basket into the machine, making sure that the basket is placed back to its original position. Note: When replacing the basket, ensure that the temperature sensor is above the basket so that the machine operates properly.

6. To continue making ice, check that there is water in the water storage tank. If there is no water in the water storage tank, then no water will be pumped into the water box, and the operation will stop. The Add Water LED display will light up. Press the POWER button to turn the machine off. Fill the water storage tank with water, and then press the POWER button for the ice maker to begin operating again. Allow the refrigerant inside the compressor at least 3 minutes to settle before restarting.
7.  If the compressor stops for any reason such as water shortage, too much ice, power off, etc., do not restart the machine right away. Wait at least 3 minutes before restarting the machine.

CLEANING AND MAINTENANCE

Before using your ice maker, it is strongly recommended that you clean the appliance thoroughly. Be sure to clean the ice maker regularly.

1. When cleaning, please make sure the power has been turned off and the plug is disconnected from the outlet. When plugging or unplugging the unit from the outlet, pull directly on the plug. Never pull on the power cord.
2. Remove the ice storage basket.
3. Drain remaining water from unit. Remove the cap, then the rubber plug from the spout. When assembling back together, the rubber plug must be inserted first into the spout, and then capped. Otherwise, the ice maker will leak.
4. Use a mild detergent diluted in warm water and wipe with a soft towel or sponge.



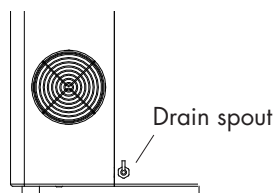
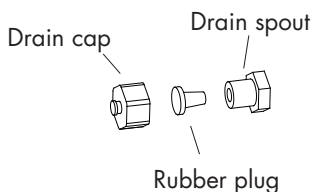
Solvents, detergents and abrasives must never be used for cleaning.

5. Wipe the inner parts, such as the ice storage basket, water reservoir, water box, ice pusher, and evaporator rods.
6. The outside of the appliance should be cleaned regularly with a mild detergent solution, warm water, and a soft cloth.
7. Dry the interior and exterior with a soft cloth.
8. To begin making ice once the unit has been cleaned, pour clean water into the water reservoir and fill up to the level line follow operating instructions.



Never tilt or place the appliance on its side; otherwise, you must wait 10 hours for compressor coolant to settle.

9. To ensure the cleanliness of the ice cubes, the water in the water storage tank should be replaced every 24 hours.
10. When the machine is not in use or will not be used for an extended period of time, unscrew the drain cap, then remove the rubber plug behind the unit to empty the remaining water in the water reservoir completely. (Follow the instructions in number 3 above.)



TROUBLESHOOTING GUIDE

| Problem | Possible Causes | Solution |
|--|---|---|
| ADD WATER indicator light turns on. | Low water level or lack of water. | Add water and the ice maker will operate automatically. |
| There is no indication on the control panel. | Disconnection of plug. | Check that the plug is plugged into the electrical outlet. |
| ICE FULL and ADD WATER indicators light up simultaneously. | Electrical Power Surge or There may be air in the lines or the lines are blocked. The water tank cannot detect water level. | Turn off the ice maker, pull out the electric plug, fill it with water if needed, replace the plug and then restart the unit. or Inspect relative parts; remove the drain cap on the back of the unit and drain out a small amount of water. Replace the drain cap and attempt to use the unit again. or Check if ice is blocking the ice pusher. Turn off the unit; let the ice melt and restart. Otherwise, call Customer Service at the number below. |
| The ICE FULL indicator light is on. | The ice basket is full. | Remove ice from the ice storage basket to make more. |
| The unit does not operate. | Power is not being supplied to the unit. The ambient temperature or the water temperature is too high. | Plug the unit into a standard 110/120 Volt, 60 Hertz power source. Please run the appliance in temperatures below 90°F (32°C) and/or pour colder water into the water reservoir. |
| Ice blockage. No ice is being made. | Making ice takes too much time. | Turn off the machine. Start the machine after the ice block melts. Or change the size selector to smaller ice cubes. |
| The ice-making cycle seems normal but no ice is produced. | There is refrigerant leakage. A pipe in the cooling system is blocked. | Consult a qualified technician or call Customer Service at the number below. |

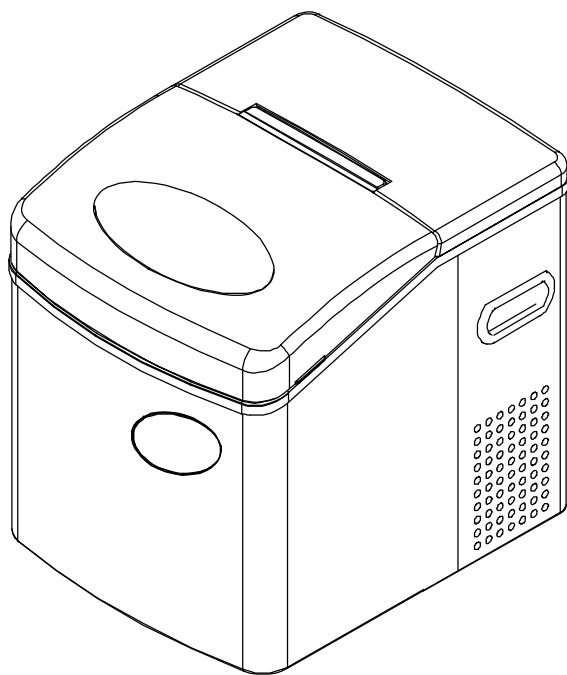
Note: There is protective circuitry inside this appliance to protect the circuitry from overheating. The appliance will automatically shut down to prevent damage if activated. Please disconnect power cord and restart after 30 minutes of cooling down time.

FRIGIDAIRE®

48 LBS

22 KGS

APPAREIL À GLAÇON



* Cette machine à glaçons n'est pas conçue pour conserver la glace congelée.
Après chaque utilisation, enlever tous les cubes de glace, vider l'eau.

FRIGIDAIRE est une marque commerciale en attente ou enregistrée utilisée sous licence par Electrolux Home Products, Inc.
Fabriqué En Chine

MANUEL DE L'UTILISATEUR

EFIC115-SS

CONSIGNES DE SÉCURITÉ IMPORTANTES



Lors de l'utilisation d'appareils électriques, certaines précautions d'utilisation doivent être respectées, dont les suivantes:

1. **Lisez toutes les instructions attentivement.**
2. **DANGER!** Afin de se protéger contre les éventuels risques de décharge électrique, n'immergez pas le cordon d'alimentation, la fiche électrique ou toute autre pièce de l'appareil dans l'eau ou tout autre liquide.
3. Cet appareil, ne devrait pas être utilisé par des enfants. Faites tout particulièrement attention lorsque vous utilisez l'appareil près d'enfants.
4. Ne laissez pas l'appareil sans surveillance lorsqu'il est en marche.
5. Ne placez pas l'appareil sur ou près d'une cuisinière électrique ou à gaz ou un four allumé. Ne le posez pas sur un autre appareil électroménager.
6. Ne laissez pas le cordon pendre à travers la table, le plan de travail ou toucher des surfaces chaudes.
7. N'utilisez pas un appareil dont le cordon d'alimentation ou la fiche électrique est endommagé, ou un appareil qui est défectueux ou fonctionne mal. Si vous croyez qu'il est endommagé, retournez-le. Retournez-le au service après-vente pour inspection, réglage ou réparation par des professionnels.
8. Débranchez l'appareil avant de le désassembler, le ranger et le nettoyer et lorsqu'il n'est pas utilisé.
9. L'utilisation d'accessoires non prévus pour être utilisés avec cet appareil peut causer un incendie, un choc électrique et des blessures.
10. Évitez tout contact avec les pièces lorsque l'appareil est en marche.
11. Ne touchez jamais les éléments de refroidissement lorsque l'appareil est en marche.
12. Ne pas utiliser à l'extérieur.
13. N'utilisez pas cet appareil pour d'autres fonctions que celles prévues.

**CONSERVEZ CES INSTRUCTIONS
POUR USAGE DOMESTIQUE
UNIQUEMENT**

DÉBALLAGE DE VOTRE MACHINE À GLAÇONS



1. Inspectez et enlevez tous les matériaux d'emballage, incluant la mousse et le ruban adhésif à l'extérieur et à l'intérieur de l'appareil.
2. Inspectez et enlevez tous restes d'emballage, de ruban adhésif, ou le feuillet d'information avant de mettre en marche votre appareil.



AVERTISSEMENT

Veuillez lire ce manuel d'instructions attentivement avant l'utilisation.
Conservez-le pour référence future.

ENREGISTREMENT DU PRODUIT

Gardez dans vos dossiers pour obtenir un service de garantie.

Merci d'avoir choisi cet appareil de qualité. Ce guide facile d'utilisation vous aidera à obtenir les meilleurs résultats possibles avec votre machine à glaçons.

N'oubliez pas de noter les numéros de modèle et de série de votre appareil. Ils se trouvent sur une étiquette à l'arrière de la machine à glaçons.

Agrafez votre reçu de d'achat à ce guide.

Vous en aurez besoin pour toute réclamation en vertu de la garantie.

Numéro du modèle

Numéro de série

Date d'achat

INSTRUCTIONS DE SÉCURITÉ

Exigences électriques

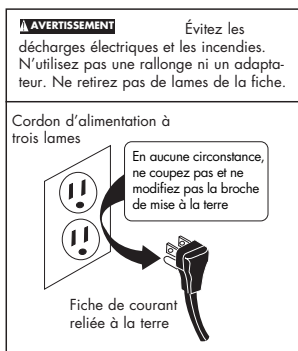
Instructions de filage et de mise à la terre

Cet appareil doit être branché à une PRISE AVEC MISE À LA TERRE d'au moins 15 A, 115 volts, 60 Hz. Cet appareil doit être mis à la terre Il est muni d'un câble d'alimentation à 3 fils avec une fiche mise à la terre La fiche doit être branchée à une prise installée et mise à la terre correctement.

⚠ Avertissement! Une mauvaise utilisation d'un fil mis à la terre pourrait entraîner un risque de choc électrique. Au besoin, communiquez avec un électricien. N'essayez pas de contourner cette mesure de sécurité en modifiant la fiche.

Évitez d'utiliser une rallonge car elle risque de surchauffer et d'entraîner un risque d'incendie. Cependant, si vous devez utiliser une rallonge:

- Utilisez uniquement une rallonge trifilaire dotée d'une fiche à 3 broches avec mise à la terre, que vous brancherez dans une prise mise à la terre.
- Le calibre de la rallonge doit être au moins égal ou supérieur puissant à celui de l'appareil.
- La rallonge ne doit pas pendre à travers la table ou le plan de travail où les enfants peuvent tirer ou trébucher dessus.



Entretien et nettoyage:

Pour réduire les risques de chocs électriques, débranchez cet appareil de la prise murale ou déconnectez le courant domestique en enlevant le fusible ou en éteignant le disjoncteur avant toute tentative d'entretien ou de nettoyage.

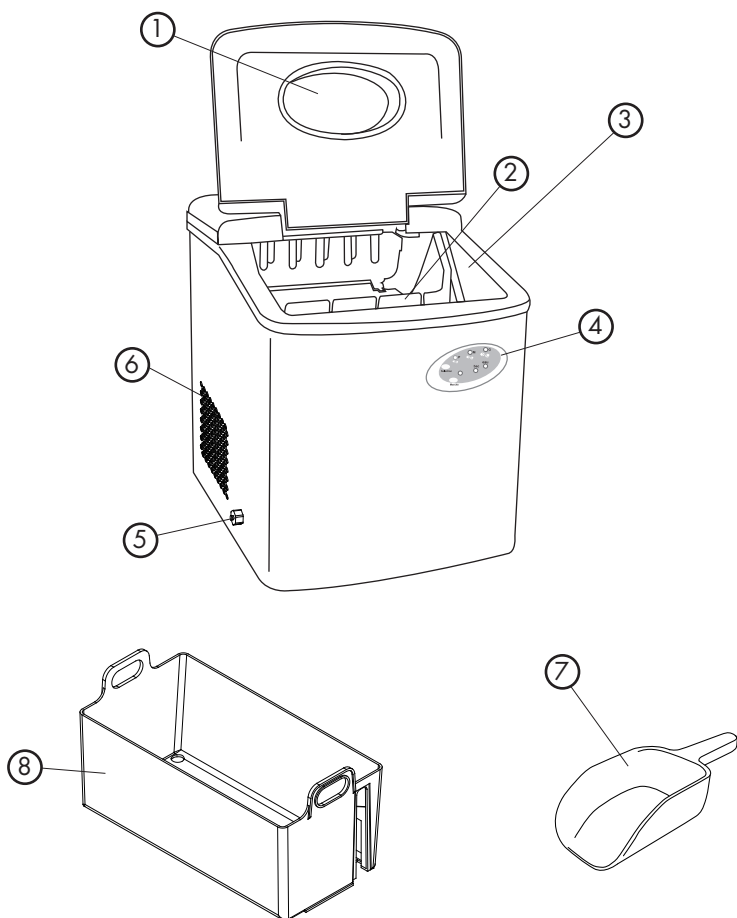
Remarque : Débranchez la fiche de la prise électrique avant de faire l'entretien ou le nettoyage de l'appareil

TABLE DES MATIÈRES

| | |
|--|------------|
| Mesures de protection importantes | 1-2 |
| Consignes de sécurité | 3 |
| Pièces et accessoires | 5-6 |
| Instructions d'utilisation | 7 |
| Instructions préalables à l'utilisation | 7 |
| Instructions d'utilisation | 8 |
| Mode de fonctionnement | 9 |
| Nettoyage et entretien | 10 |
| Guide de dépannage | 11 |

| | |
|---|--------------------------|
| Caractéristiques techniques | Modèle N° EFIC115-SS |
| Protection contre les chocs électriques | Classe 1 |
| Alimentation | 115 V/60 Hz |
| Courant pour la fabrication des glaçons | 2,1 A |
| Courant pour la cueillette des glaçons | 3,2 A |
| Produit réfrigérant | R134a/3,35 oz |
| Pression nominale | |
| Haute pression | 290 psig |
| Basse pression | 88 psig |
| Dimensions | 14,96" x 17,13" x 16,96" |
| Poids | 37,9 lb (17,2 kg) |
| Composition du boîtier | Stainless steel |

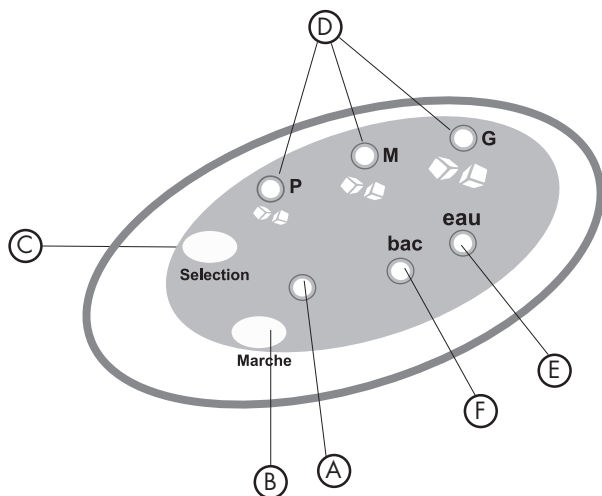
PIÈCES, FONCTIONS ET CARACTÉRISTIQUES



1. Couvercle avec fenêtre transparente
2. Machine à glaçons et poussoir
3. Réservoir d'eau (non illustré)
4. Panneau de commande
5. Bouchon de vidange d'eau : pour vidanger l'eau de glace
6. Ventilateur du compresseur (ne bloquez pas la circulation d'air)
7. Spatule à glace
8. Bac à glace

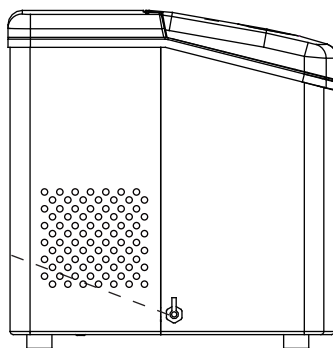
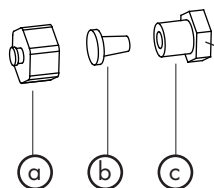
Tableau de commande : Facile à utiliser, avec touches et voyants DEL

- A. Voyant DEL « Marche » (mise en marche)
- B. Touche « Marche » (mise en marche/arrêt)
- C. Touche « Selection » (sélectionner la taille des glaçons)
- D. Le voyant DEL indiquant la taille de glaçons à fabriquer sélectionnée affiche : Petit, Moyen et Grand
- E. « eau » (Ajouter de l'eau – avertit que le réservoir d'eau est vide); vous devez ajouter de l'eau
- F. Voyant DEL « bac »



Vidange de l'eau : Ne perdez aucune pièce. (Le fait d'omettre de replacer le capuchon de caoutchouc entraînera une fuite d'eau.)

- A. Bouchon de vidange d'eau
- B. Capuchon de caoutchouc
- C. Bec de vidange d'eau



Videz l'eau si l'appareil ne sera pas utilisé durant une longue période ou avant de l'entreposer.

INSTRUCTIONS D'UTILISATION

Cette machine à glaçons portable utilise un système de contrôle entièrement automatique avec une technologie de pointe pour une fabrication de glaçons facile et pratique. Faire des glaçons est simple et rapide. Ajoutez de l'eau, branchez l'appareil et appuyez sur la touche « Marche ». Vous pouvez sélectionner l'une des trois tailles de glaçons appuyant sur un bouton. Lors de la première mise en marche de l'appareil ou durant les cycles de fabrication des glaçons le compresseur restera à l'arrêt pendant 3 minutes.

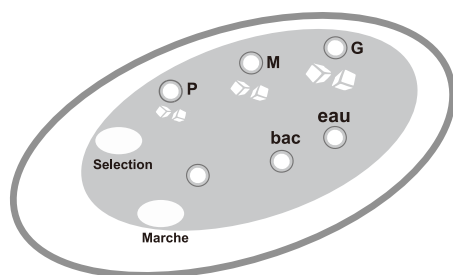
Des indicateurs vous vous avertissent lorsque le réservoir d'eau est vide et lorsque le compartiment de stockage des glaçons est plein. La machine à glaçons possède également des dispositifs de sécurité intégrés qui peuvent limiter les dommages accidentels en arrêtant le système lorsque nécessaire.

Instructions de pré-utilisation

À lire attentivement.



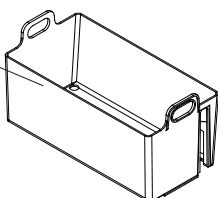
1. Lors du transport de l'appareil, l'angle d'inclinaison ne doit pas excéder 45 degrés. Ne tournez pas la machine à l'envers, Cela peut causer un mauvais fonctionnement du compresseur et du système de réfrigération. Lorsque vous transportez ou déplacez la machine, laissez le temps au liquides du compresseur de se stabiliser. Après avoir posé l'appareil au bon endroit et l'avoir mise à niveau, attendez deux heures avant de l'utiliser pour la première fois.
2. La machine à glaçons doit être posée sur une surface plane ou une plate-forme pour éviter qu'elle fonctionne ne mal.
3. La machine à glaçons doit être posée sur une surface plane, et sèche loin de toute source de chaleur, telles que radiateurs et fours, ou gaz corrosifs. Laissez 8 po (20 cm) sur tous les côtés de l'appareil pour une bonne ventilation.
4. Ne remplissez pas le réservoir d'eau avec de l'eau chaude. Cela risque d'endommager la machine à glaçons. Il vaut mieux remplir le réservoir avec de l'eau à température ambiante ou un peu plus froide.



Instructions d'utilisation

1. Ouvrez le couvercle, retirez le compartiment de stockage des glaçons et remplissez le réservoir d'eau avec 0,8 gallons (3,2 L) d'eau potable (eau du robinet, purifiée ou en bouteille). Remettez le compartiment de stockage des glaçons en place.

Soulevez le compartiment pour ajouter de l'eau



Assurez-vous que le niveau de l'eau n'atteint pas le fond du compartiment de stockage des glaçons. Refermez le couvercle.

Remarque: Durant le processus de production de glaçons, si le niveau d'eau du réservoir d'eau devient trop bas la machine arrêtera automatiquement de fonctionner et le témoin lumineux affichera « eau » (ajouter de l'eau).

2. Branchez l'appareil dans une prise murale. Appuyez sur le bouton « Marche » du tableau de commande pour mettre la machine en marche.
3. Appuyez sur P, M, G pour sélectionner la taille de glaçons désirée.

P = Petit

M = Moyen

G = Gros


La machine commencera à fabriquer les glaçons peu de temps après.

Remarque: Pour arrêter la fabrication appuyez de nouveau sur le bouton « Marche »

Processus d'utilisation




1. L'eau est pompée du réservoir d'eau vers la boîte à eau, ce qui peut prendre jusqu'à 60 secondes.
2. Le cycle de fabrication des glaçons commence quand les tiges de l'évaporateur trempent dans la boîte à eau. Vous entendrez le compresseur fonctionner.
3. Le cycle de fabrication des glaçons dure entre 8 et 13 minutes en fonction de la taille de glaçons sélectionnée. Les plus gros prendront le plus de temps. Après que le cycle soit terminé, la boîte à eau s'inclinera vers l'avant et l'eau restante retournera dans le réservoir d'eau. Les tiges de l'évaporateur libéreront alors les glaçons.

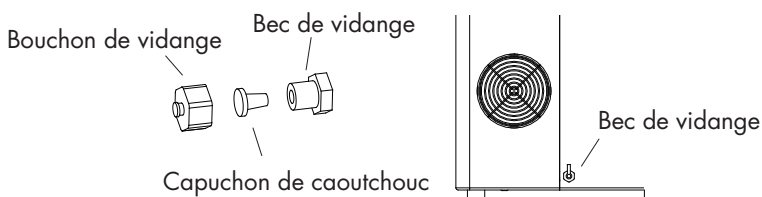
Remarque: Si la température ambiante est inférieure à 60°F (15°C), il vaut mieux faire des glaçons de petite ou moyenne taille pour les empêcher de fusionner.

4. Après environ 60 secondes, la boîte à eau s'inclinera vers l'arrière et le poussoir à glaçons poussera les glaçons dans le compartiment de stockage. Après que la boîte à glaçons soit revenue à sa position d'origine le cycle de fabrication de glaçons suivant commencera.
5. Lorsque la capacité maximale de glaçons est obtenue et que les glaçons atteignent la sonde de température la machine à glaçons s'arrêtera automatiquement. Le voyant lumineux affichera « bac » (plein). Si vous avez besoin de plus de glaçons, retirez les glaçons du compartiment de stockage. Remettez ensuite le compartiment de stockage à sa place en vous assurant que le compartiment est bien remis dans sa position d'origine. Remarque: Cela permettra de s'assurer que la sonde de température est bien à sa place sous le compartiment de stockage et ainsi la machine peut fonctionner normalement.
6. Pour continuer à faire des glaçons, vérifiez qu'il y ait de l'eau dans le réservoir d'eau. S'il n'y a pas d'eau dans le réservoir et qu'aucune eau n'est pompée dans la boîte à eau, le processus s'arrêtera et le voyant lumineux affichera « eau » (ajouter de l'eau). Remplissez le réservoir d'eau avec de l'eau et appuyez sur le bouton « Marche » pour que l'appareil se remette en marche. Accordez au moins 3 minutes au réfrigérant à l'intérieur du compresseur pour se stabiliser avant de remettre en marche.
7.  Si le compresseur s'arrête pour quelque raison que ce soit : manque d'eau, trop de glaçons, pas de courant, etc. ne remettez pas la machine en marche tout de suite. Attendez au moins 3 minutes avant de remettre la machine en marche.

NETTOYAGE ET ENTRETIEN

Avant de vous servir de votre machine à glaçons, un nettoyage complet est fortement recommandé. Assurez-vous de nettoyer la machine à glaçons régulièrement.

1. Lors du nettoyage, veuillez vous assurer d'avoir coupé l'alimentation et débranché l'appareil de la prise murale. Lorsque vous branchez ou débranchez l'appareil de la prise murale, tenez directement la fiche. Ne tirez jamais sur le cordon d'alimentation.
2. Retirez le bac à glaçons.
3. Vidangez ce qui reste d'eau dans l'appareil. Ôtez le bouchon, puis le capuchon de caoutchouc du bec de vidange. Lorsque vous remettez les pièces en place, le capuchon de caoutchouc doit être inséré en premier dans le bec, suivi du bouchon. Autrement, il y aura des fuites. 
4. Utilisez un détergent doux dilué dans l'eau tiède et essuyez avec un linge doux ou une éponge.
 N'utilisez jamais de solvants, de détergents et d'abrasifs pour nettoyer l'appareil.
5. Essuyez les éléments internes comme le bac à glaçons, le réservoir d'eau, le compartiment à eau, le poussoir de glaçons et les tiges de l'évaporateur.
6. Les parois externes de la machine à glaçons devraient être nettoyées régulièrement avec une solution de détergent doux, de l'eau tiède et un chiffon doux.
7. Séchez l'extérieur et l'intérieur de l'appareil avec un linge doux.
8. Pour commencer à fabriquer des glaçons une fois l'appareil nettoyé, versez de l'eau propre dans le réservoir d'eau jusqu'à la ligne, conformément aux instructions d'utilisation.
 N'inclinez ou ne placez jamais la machine à glaçons sur le côté. Autrement, vous devrez attendre 10 heures pour que le liquide refroidisseur du compresseur se stabilise.
9. Pour vous assurer d'obtenir des glaçons sains, l'eau du réservoir devrait être remplacée toutes les 24 heures.
10. Lorsque vous n'utilisez pas l'appareil ou que vous ne comptez pas vous en servir sur une longue période, dévissez le bouchon de vidange, puis ôtez le capuchon de caoutchouc pour vider complètement ce qui reste d'eau dans le réservoir. (Suivez les instructions indiquées au point 3 ci-dessus.)



DÉPANNAGE

| Problème | Causes possibles | Solution |
|--|--|---|
| Le voyant lumineux affiche « eau » (ajouter de l'eau) | Il n'y a pas d'eau dans le réservoir d'eau ou le niveau d'eau est trop bas. | Ajoutez de l'eau et la machine se mettra en marche automatiquement. |
| Il n'y a pas d'indication sur le tableau de commande | L'appareil n'est pas branché. | Vérifiez que l'appareil est bien branché dans la prise murale. |
| Les voyants lumineux « bac » et « eau » s'allument en même temps. | Il y a une pointe de courant ou Il y a peut-être un problème avec les lignes. Le réservoir d'eau ne peut pas détecter le niveau d'eau. | Éteignez la machine à glaçons. Débranchez-la. Remplissez le réservoir d'eau avec de l'eau et rallumez l'unité. Ou, inspectez les pièces; retirez le bouchon de vidange à l'arrière de l'appareil et vidangez un peu d'eau. Remettez le bouchon de vidange en place et essayez d'utiliser la machine de nouveau. Ou, vérifiez si des glaçons bloquent le poussoir. Éteignez l'appareil. Laissez la glace fondre et rallumez l'appareil. OU, communiquez avec le service à la clientèle au numéro indiqué ci-dessous. |
| Le voyant lumineux affiche « bac » | Le compartiment de stockage des glaçons est plein. | Retirez les glaçons du compartiment de stockage des glaçons pour en faire plus. |
| L'appareil ne fonctionne pas. | L'appareil ne reçoit pas de courant. La température ambiante ou la température de l'eau est trop élevée. | Branchez l'appareil dans une prise standard 110/120 v, 60 Hz. Faites fonctionner la machine à glaçons à moins de 32°C et/ou mettez de l'eau plus froide dans le réservoir. |
| Blocage de glaçons. Aucun glaçon n'est fabriqué. | La fabrication des glaçons prend trop de temps. | Arrêtez la machine. Après la fonte du bloc de glace remettez la machine en marche. Ou, changez la taille de glaçons sélectionnée pour des petits glaçons. |
| Le cycle de fabrication de glaçons semble normal mais aucun glaçon n'est fabriqué. | Il y a une fuite de réfrigérant. Le système de réfrigération est bouché. | Contactez un technicien qualifié ou communiquez avec le service à la clientèle au numéro indiqué ci-dessous |

Remarque: Il y a un système de circuits protecteur à l'intérieur de cette machine à glaçons pour empêcher la surchauffe. La machine à glaçons s'éteindra automatiquement pour éviter les dommages si le circuit protecteur est activé. Débranchez l'appareil et rebranchez-le après 30 minutes pour laisser à l'appareil le temps de refroidir.