

Roll-Out Waste & Recycling Non-Lidded

- Dual orientation allows for installation in both narrow and wide applications
- Mounted on roller slides for easy accessibility
- Bins and Hardware: Bin styling is a welcome update to the industry-standard “boxy” look. Hardware sits in bin grooves to hold it securely in place
- Optional lids available
- Mounting templates provided for easy installation

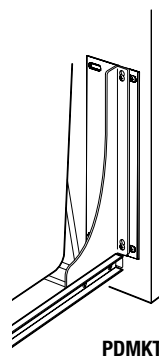


Stock #	Sliding Assembly		Assembled Product Dimensions				Finish [Hardware/Bin]	Capacity per Bin	Number of Bins	Units per Carton	Weight per Carton
	Narrow Width	Wide Width	Narrow Width	Wide Width	Height	Depth					
ROLL-OUT WASTE & RECYCLING/NON-LIDDED											
ECW9-1-20WH	7-5/16" [185 mm]	14-3/8" [365 mm]	7-13/16" [198 mm]	14-5/16" [363 mm]	17-7/16" [441 mm]	16" [406 mm]	White	20 qt.	1	1	6 lbs.
ECW10-1-35WH	9-3/4" [247 mm]	14-3/8" [365 mm]	9-7/8" [240 mm]	14-5/16" [363 mm]	18-15/16" [481 mm]	16" [406 mm]	White	35 qt.	1	1	6-1/2 lbs.

See pages 16–17 for recommended cabinet dimensions and clearances. See page 14 for bin and lid information.

Door-Mount Bracket Kits

- Easy installation into handle mounting holes with only four screws
- Six-way adjustability for alignment of cabinet door with easy “drop-in” keyhole attachment
- Adapts from standard width opening up to door sizes 3" wider
- KV Eco-Friendly Frosted Nickel finish or White
- Allows for application with most common cabinet door overlays
- Eliminates need for sub-panel support behind cabinet door



Stock #	Description	Finish	Units Per Carton	Weight Per Carton
DOOR-MOUNT BRACKET KITS				
PDMKTWH*	–	White	1	2.3 lbs. [1 kg.]
PDMKTPT*	–	Frosted Nickel	1	2.3 lbs. [1 kg.]

* Instructions and hardware included with all kits.

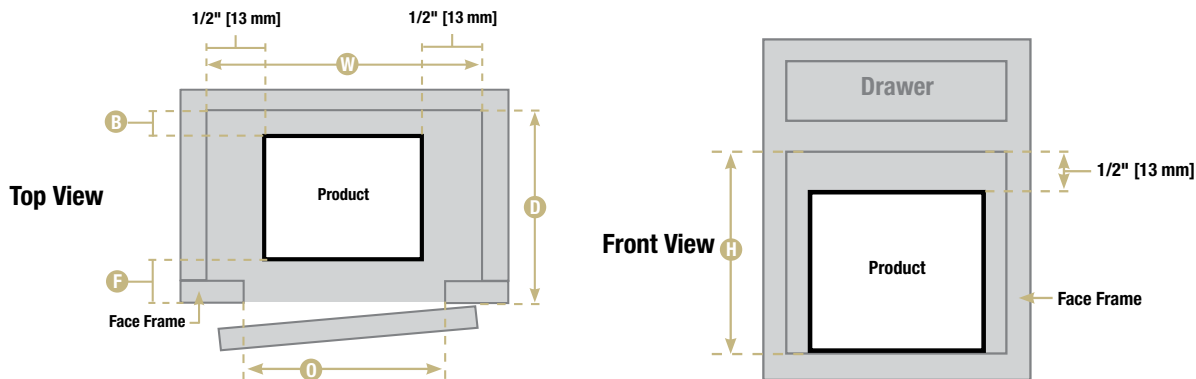
Note: Door-Mount Kit adds 3/8" to depth of Waste & Recycle unit.

Cabinet Dimensions

Stock #	Min. Cabinet Opening		Minimum Interior Cabinet Dimensions			Minimum Cabinet Clearances	
	Width O	Width W	Height* H	Depth D	Front F	Back B	
Single Bin Units							
Non-Door-Mount							
ECW9-1-20WH	14-1/2" [368 mm]	7-1/2" [191 mm]	17-1/2" [444 mm]	16" [406 mm]	1/4" [6 mm]	1/8" [3 mm]	
ECW10-1-35WH	14-1/2" [368 mm]	10" [254 mm]	19" [482 mm]	16" [406 mm]	1/4" [6 mm]	1/8" [3 mm]	
SCB9-1-20PT	9" [229 mm]	9" [229 mm]	17-13/16" [452 mm]	20-1/2" [521 mm]	1/4" [6 mm]	1/8" [3 mm]	
SCB9-1-20WH	9" [229 mm]	9" [229 mm]	17-13/16" [452 mm]	20-1/2" [521 mm]	1/4" [6 mm]	1/8" [3 mm]	
SCB10-1-35PT	10" [254 mm]	10" [254 mm]	19-5/16" [491 mm]	20-1/2" [521 mm]	1/4" [6 mm]	1/8" [3 mm]	
SCB10-1-35WH	10" [254 mm]	10" [254 mm]	19-5/16" [491 mm]	20-1/2" [521 mm]	1/4" [6 mm]	1/8" [3 mm]	
SCB12-1-50PT	12" [305 mm]	12" [305 mm]	23-3/8" [594 mm]	20-1/2" [521 mm]	1/4" [6 mm]	1/8" [3 mm]	
SCB12-1-50WH	12" [305 mm]	12" [305 mm]	23-3/8" [594 mm]	20-1/2" [521 mm]	1/4" [6 mm]	1/8" [3 mm]	
SCB15-1-20PT	15" [381 mm]	15" [381 mm]	17-13/16" [452 mm]	16" [407 mm]	1/4" [6 mm]	1/8" [3 mm]	
SCB15-1-20WH	15" [381 mm]	15" [381 mm]	17-13/16" [452 mm]	16" [407 mm]	1/4" [6 mm]	1/8" [3 mm]	
SBM9-1-20WH	9" [229 mm]	9" [229 mm]	17-13/16" [452 mm]	20-1/2" [521 mm]	1/4" [6 mm]	1/8" [3 mm]	
SBM10-1-35WH	10" [254 mm]	10" [254 mm]	19-5/16" [491 mm]	20-1/2" [521 mm]	1/4" [6 mm]	1/8" [3 mm]	
SBM12-1-50WH	12" [305 mm]	12" [305 mm]	23-3/8" [594 mm]	20-1/2" [521 mm]	1/4" [6 mm]	1/8" [3 mm]	
SBM15-1-20WH	15" [381 mm]	15" [381 mm]	17-13/16" [452 mm]	16-3/8" [416 mm]	1/4" [6 mm]	1/8" [3 mm]	
SBM15-1-35WH	15" [381 mm]	15" [381 mm]	19-5/16" [491 mm]	16-3/8" [416 mm]	1/4" [6 mm]	1/8" [3 mm]	
Door-Mount (Bottom-mount)							
DWB975-W	12" [305 mm]	12" [305 mm]	12-1/8" [308 mm]	7-1/2" [191 mm]	–	1/8" [3 mm]	
WUSC12-1-35PT	11-3/4" [298 mm]	11-3/4" [298 mm]	19-1/2" [241 mm]	22-1/2" [597 mm]	–	1/8" [3 mm]	
WUSC12-1-35WH	11-3/4" [298 mm]	11-3/4" [298 mm]	19-1/2" [241 mm]	22-1/2" [597 mm]	–	1/8" [3 mm]	
WUSC12-1-50PT	11-3/4" [298 mm]	11-3/4" [298 mm]	23-1/2" [597 mm]	22-1/2" [597 mm]	–	1/8" [3 mm]	
WUSC12-1-50WH	11-3/4" [298 mm]	11-3/4" [298 mm]	23-1/2" [597 mm]	22-1/2" [597 mm]	–	1/8" [3 mm]	
USC12-1-35WH	12" [305 mm]	12" [305 mm]	19-3/16" [487 mm]	22-5/8" [575 mm]	–	1/8" [3 mm]	
USC12-1-35PT	12" [305 mm]	12" [305 mm]	19-3/16" [487 mm]	22-5/8" [575 mm]	–	1/8" [3 mm]	
USC12-1-50WH	12" [305 mm]	12" [305 mm]	23-5/16" [592 mm]	22-5/8" [575 mm]	–	1/8" [3 mm]	
USC12-1-50PT	12" [305 mm]	12" [305 mm]	23-5/16" [592 mm]	22-5/8" [575 mm]	–	1/8" [3 mm]	
Door-Mount (Top-mount)							
PDMTM115-1-35WH	11-1/2" [292 mm]	11-1/2" [292 mm]	18" [457 mm]	22-1/2" [572 mm]	–	1/8" [3 mm]	
PDMTM12-1-35WH	12" [305 mm]	12" [305 mm]	18" [457 mm]	22-1/2" [572 mm]	–	1/8" [3 mm]	
PDMTM145-1-50WH	14-1/2" [368 mm]	14-1/2" [368 mm]	22-1/8" [562 mm]	22-1/2" [572 mm]	–	1/8" [3 mm]	
TSC12-1-35WH	11-1/2" [292 mm]	11-1/2" [292 mm]	18" [457 mm]	23-3/8" [594 mm]	–	1/8" [3 mm]	
TSC12-1-35PT	11-1/2" [292 mm]	11-1/2" [292 mm]	18" [457 mm]	23-3/8" [594 mm]	–	1/8" [3 mm]	
TSC15-1-35WH	14-1/2" [368 mm]	14-1/2" [368 mm]	18" [457 mm]	23-3/8" [594 mm]	–	1/8" [3 mm]	
TSC15-1-35PT	14-1/2" [368 mm]	14-1/2" [368 mm]	18" [457 mm]	23-3/8" [594 mm]	–	1/8" [3 mm]	
TSC15-1-50WH	14-1/2" [368 mm]	14-1/2" [368 mm]	22-1/8" [562 mm]	23-3/8" [594 mm]	–	1/8" [3 mm]	
TSC15-1-50PT	14-1/2" [368 mm]	14-1/2" [368 mm]	22-1/8" [562 mm]	23-3/8" [594 mm]	–	1/8" [3 mm]	

Example of Face Frame Cabinet Application

* If using lid, add 3/4".



Dimensions shown are recommended minimum cabinet dimensions and clearances.

Cabinet Dimensions

Stock #	Min. Cabinet Opening		Minimum Cabinet Dimensions			Minimum Cabinet Clearances	
	Width O	Width W	Height* H	Depth D	Front F	Back B	
DOUBLE BIN UNITS - Non-Door-Mount							
SCB12-2-27PT	12" [305 mm]	12" [305 mm]	19" [482 mm]	22-9/16 [573 mm]	–	1/8" [3 mm]	
SCB12-2-27WH	12" [305 mm]	12" [305 mm]	19" [482 mm]	22-9/16 [573 mm]	1/4" [6 mm]	1/8" [3 mm]	
SCB15-2-20PT	15" [381 mm]	15" [381 mm]	17-13/16" [452 mm]	20-3/8" [518 mm]	1/4" [6 mm]	1/8" [3 mm]	
SCB15-2-20WH	15" [381 mm]	15" [381 mm]	17-13/16" [452 mm]	20-3/8" [518 mm]	1/4" [6 mm]	1/8" [3 mm]	
SCB15-2-35PT	15" [381 mm]	15" [381 mm]	19-5/16" [491 mm]	23-3/8" [594 mm]	1/4" [6 mm]	1/8" [3 mm]	
SCB15-2-35WH	15" [381 mm]	15" [381 mm]	19-5/16" [491 mm]	23-3/8" [594 mm]	1/4" [6 mm]	1/8" [3 mm]	
SBM12-2-27WH	12" [305 mm]	12" [305 mm]	19" [482 mm]	22-9/16" [573 mm]	1/4" [6 mm]	1/8" [3 mm]	
SBM15-2-20WH	15" [381 mm]	15" [381 mm]	17-13/16" [452 mm]	20-3/8" [518 mm]	1/4" [6 mm]	1/8" [3 mm]	
SBM15-2-35WH	15" [381 mm]	15" [381 mm]	19-5/16" [491 mm]	22-3/8" [568 mm]	1/4" [6 mm]	1/8" [3 mm]	
Door-Mount (Bottom-mount)							
WUSC12-2-27PT	11-1/2" [292 mm]	11-3/4" [298 mm]	19-3/4" [502 mm]	22-1/2" [597 mm]	–	1/8" [3 mm]	
WUSC12-2-27WH	11-1/2" [292 mm]	11-3/4" [298 mm]	19-3/4" [502 mm]	22-1/2" [597 mm]	–	1/8" [3 mm]	
WUSC15-2-35PT	14-1/2" [368 mm]	14-3/4" [375 mm]	19-1/2" [502 mm]	22-1/2" [597 mm]	–	1/8" [3 mm]	
WUSC15-2-35WH	14-1/2" [368 mm]	14-3/4" [375 mm]	19-1/2" [502 mm]	22-1/2" [597 mm]	–	1/8" [3 mm]	
WUSC18-2-50PT	17" [432 mm]	17" [432 mm]	23-1/4" [591 mm]	22-9/16" [573 mm]	–	1/8" [3 mm]	
WUSC18-2-50WH	17" [432 mm]	17" [432 mm]	23-1/4" [591 mm]	22-9/16" [573 mm]	–	1/8" [3 mm]	
USC12-2-27PT	12" [305 mm]	12" [305 mm]	19-1/4" [489 mm]	22-9/16" [573 mm]	–	1/8" [3 mm]	
USC12-2-27WH	12" [305 mm]	12" [305 mm]	19-1/4" [489 mm]	22-9/16" [573 mm]	–	1/8" [3 mm]	
USC15-2-35WH	15" [381 mm]	15" [381 mm]	19-3/16" [487 mm]	22-5/8" [575 mm]	–	1/8" [3 mm]	
USC15-2-35PT	15" [381 mm]	15" [381 mm]	19-3/16" [487 mm]	22-5/8" [575 mm]	–	1/8" [3 mm]	
USC18-2-50WH	16" [406 mm]	15-5/8" [397 mm]	23-5/16" [592 mm]	22-5/8" [575 mm]	–	1/8" [3 mm]	
USC18-2-50PT	16" [406 mm]	15-5/8" [397 mm]	23-5/16" [592 mm]	22-5/8" [575 mm]	–	1/8" [3 mm]	
Door-Mount (Top-mount)							
PDMTM15-2-35WH	15" [381 mm]	15" [381 mm]	18" [457 mm]	22-1/2" [572 mm]	–	1/8" [3 mm]	
PDMTM175-2-35WH	17-1/2" [445 mm]	17-1/2" [445 mm]	18" [457 mm]	22-1/2" [572 mm]	–	1/8" [3 mm]	
PDMTM18-2-35WH	18" [457 mm]	18" [457 mm]	18" [457 mm]	22-1/2" [572 mm]	–	1/8" [3 mm]	
PDMTM21-2-35WH	21" [533 mm]	21" [533 mm]	18" [457 mm]	22-1/2" [572 mm]	–	1/8" [3 mm]	
TSC15-2-35WH	15" [381 mm]	15" [381 mm]	18" [457 mm]	23-3/8" [594 mm]	–	1/8" [3 mm]	
TSC15-2-35PT	15" [381 mm]	15" [381 mm]	18" [457 mm]	23-3/8" [594 mm]	–	1/8" [3 mm]	
TSC18-2-35WH	17-1/2" [445 mm]	17-1/2" [445 mm]	18" [457 mm]	23-3/8" [594 mm]	–	1/8" [3 mm]	
TSC18-2-35PT	17-1/2" [445 mm]	17-1/2" [445 mm]	18" [457 mm]	23-3/8" [594 mm]	–	1/8" [3 mm]	
TRIPLE BIN UNITS - Non-Door-Mount							
SCB15-3-20PT	15" [381 mm]	15" [381 mm]	17-13/16" [452 mm]	23-3/8" [594 mm]	1/4" [6 mm]	1/8" [3 mm]	
SCB15-3-20WH	15" [381 mm]	15" [381 mm]	17-13/16" [452 mm]	23-3/8" [594 mm]	1/4" [6 mm]	1/8" [3 mm]	
SBM15-3-20WH	15" [381 mm]	15" [381 mm]	17-13/16" [452 mm]	23-3/8" [594 mm]	1/4" [6 mm]	1/8" [3 mm]	
FOUR BIN UNITS - Non-Door-Mount							
SCB24-4-27-PT	24" [610 mm]	24" [610 mm]	19-1/2" [495 mm]	22-5/8" [575 mm]	–	1/8" [3 mm]	
SCB24-4-27WH	24" [610 mm]	24" [610 mm]	19-1/2" [495 mm]	22-5/8" [594 mm]	1/4" [6 mm]	1/8" [3 mm]	
SBM24-4-27WH	24" [610 mm]	24" [610 mm]	19-1/2" [495 mm]	23-3/8" [594 mm]	1/4" [6 mm]	1/2" [13 mm]	

Example of Frameless / Euro-Style Cabinet Application

* If using lid, add 3/4".

