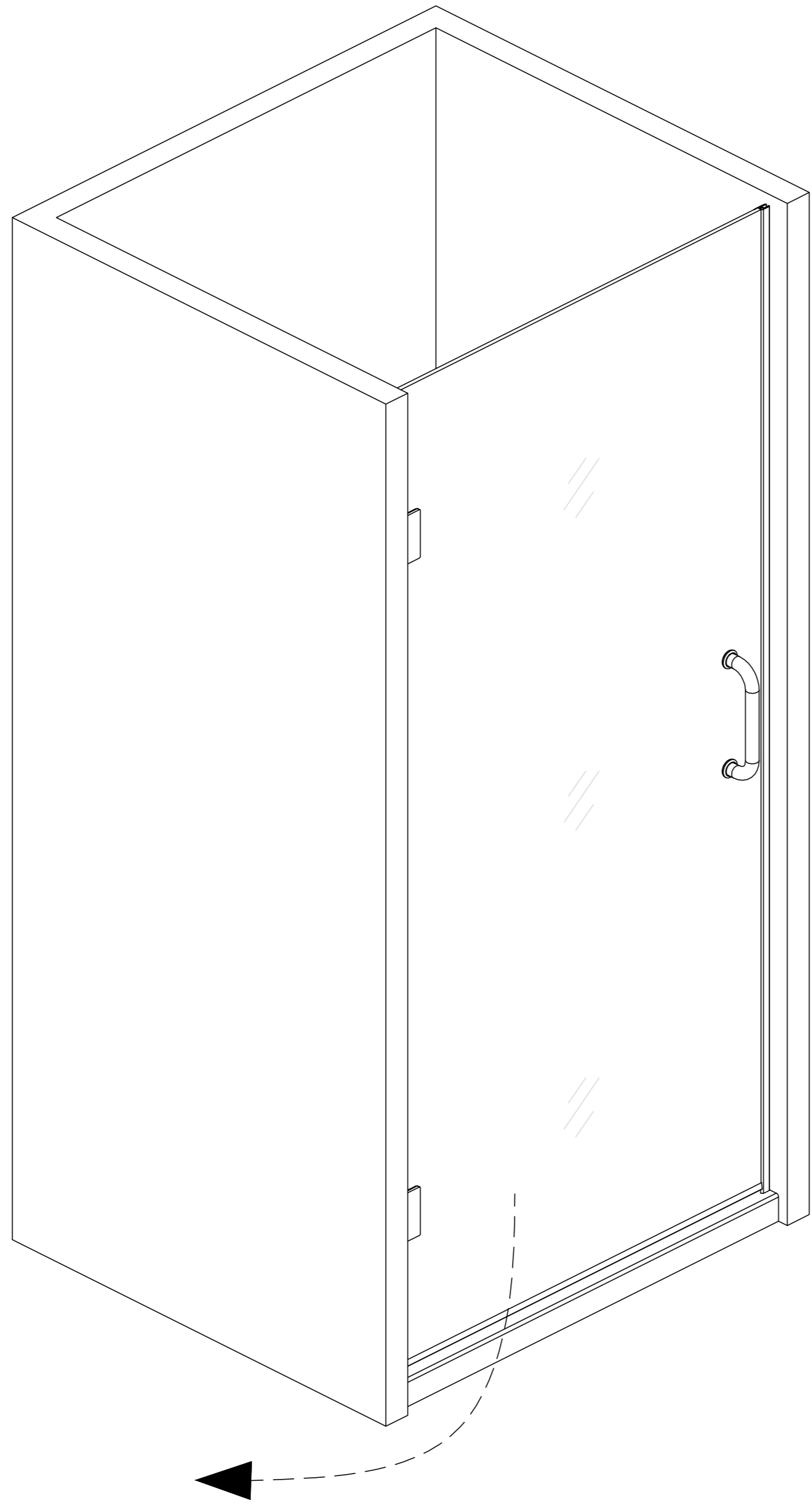
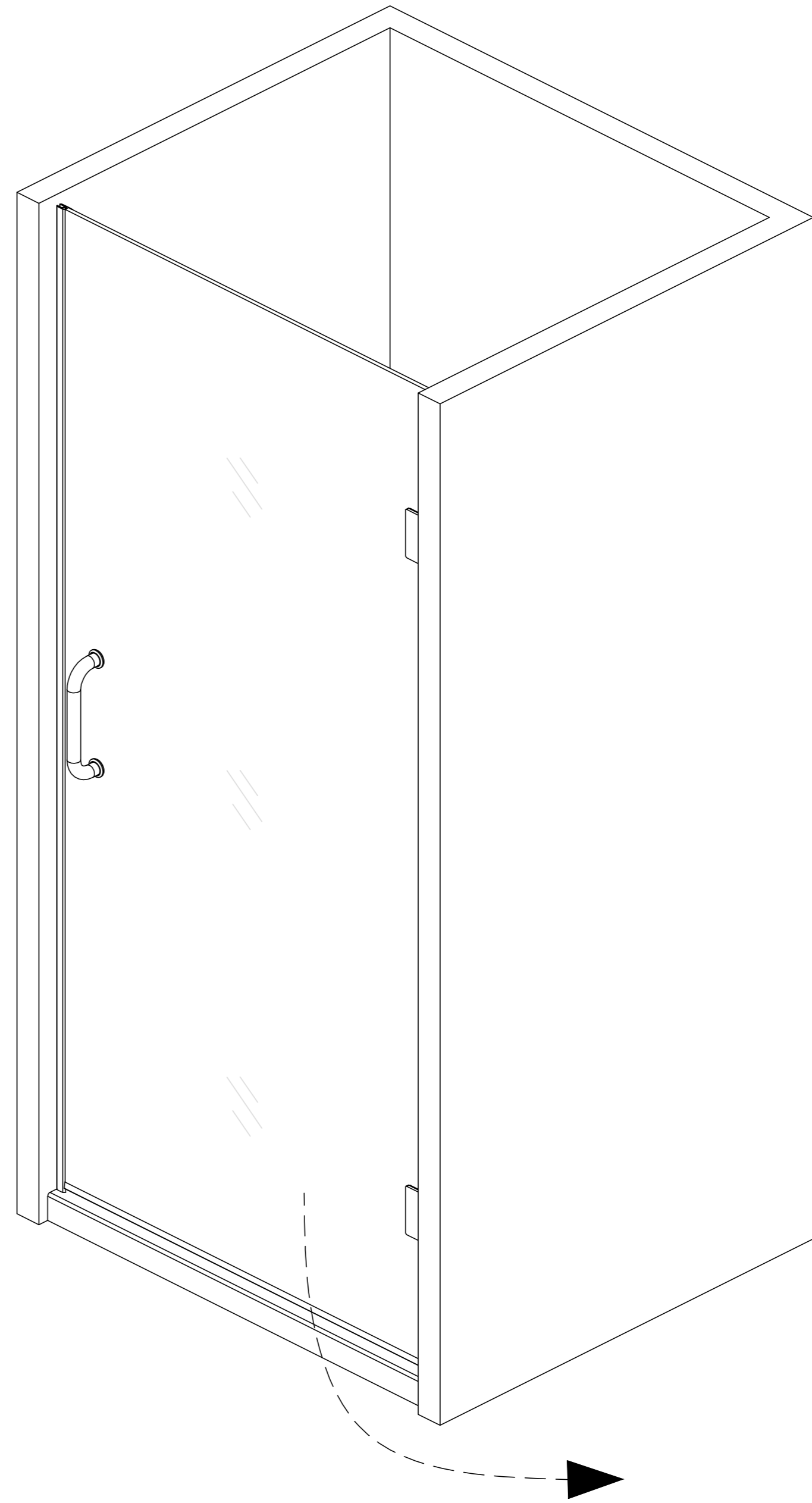


Shower Door Installation Instructions



Hinged Left installation shown



Hinged Right installation shown



NOTE: This model is reversible for Hinged Left or Right installation. This manual will show the Hinged Left installation as an example throughout.

**Please do not return the product to the store.
Contact us with any questions.**

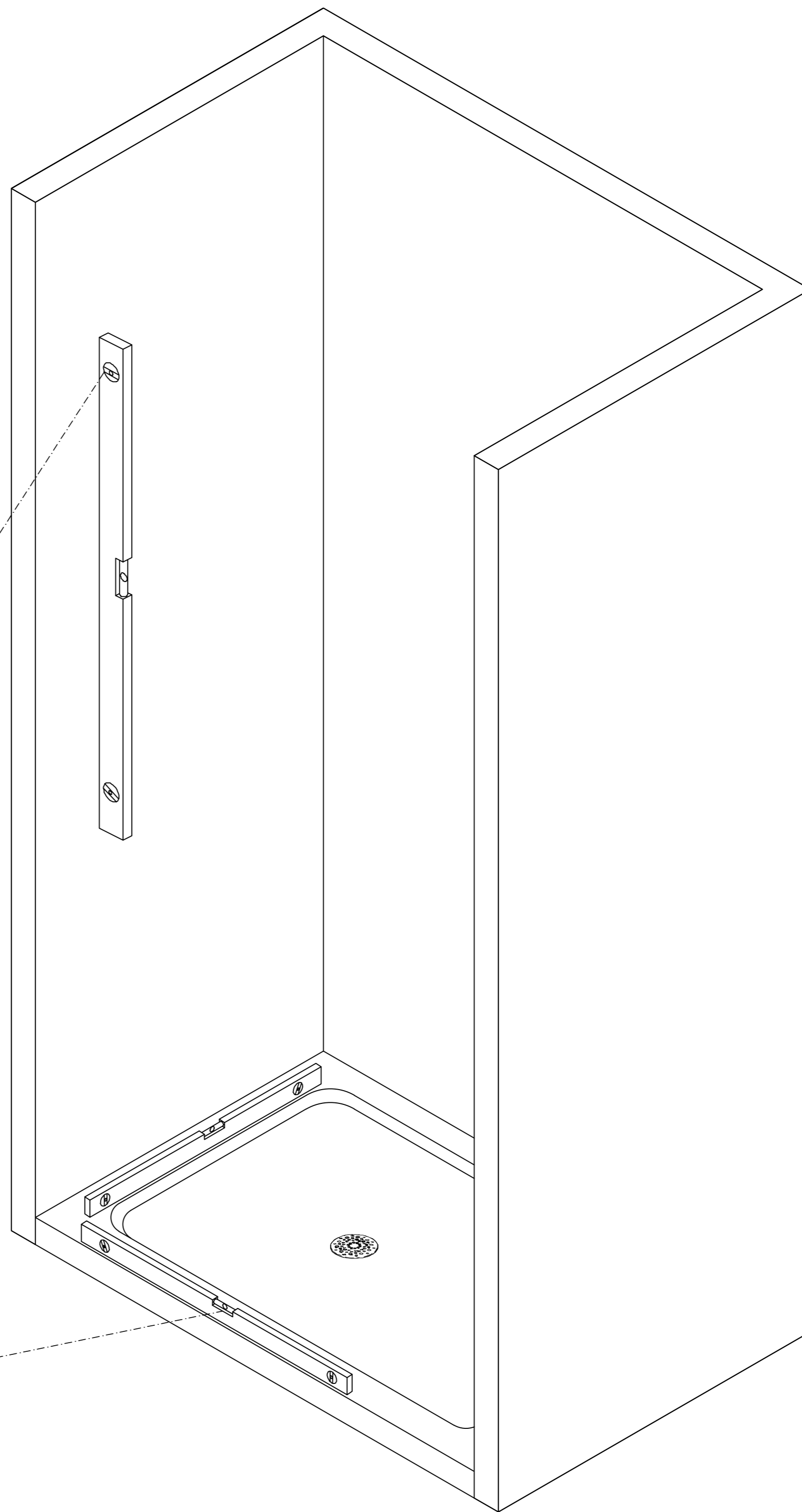
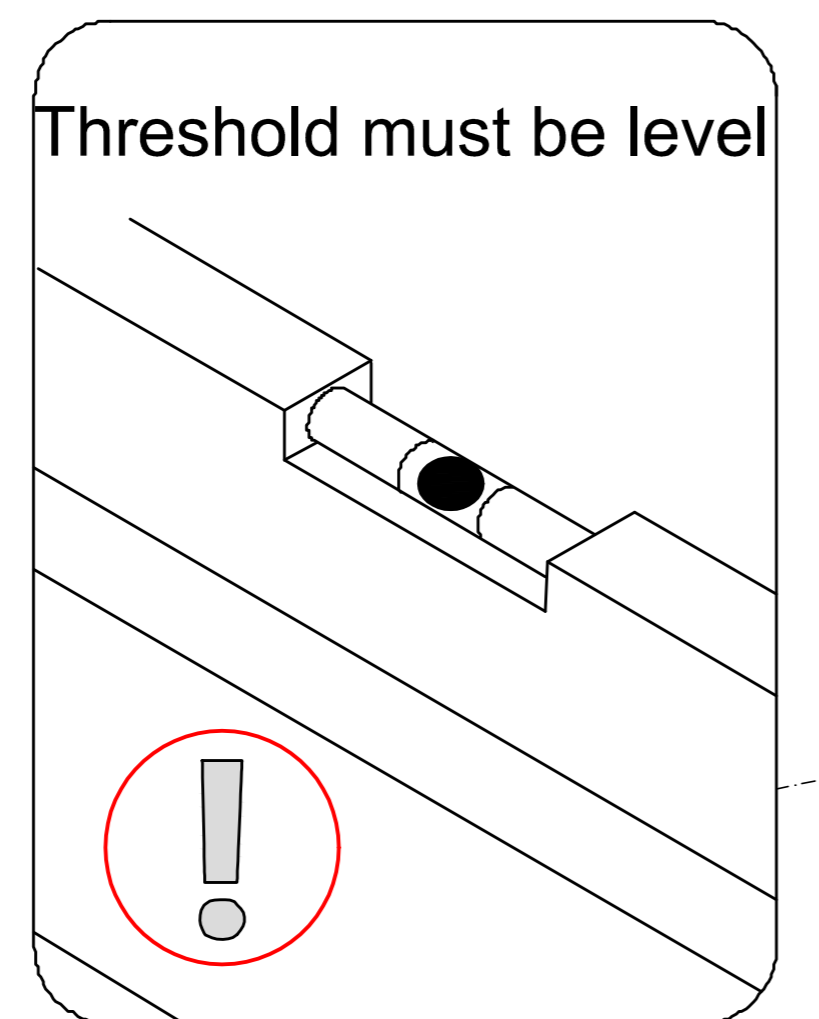
Model Specific Preparation



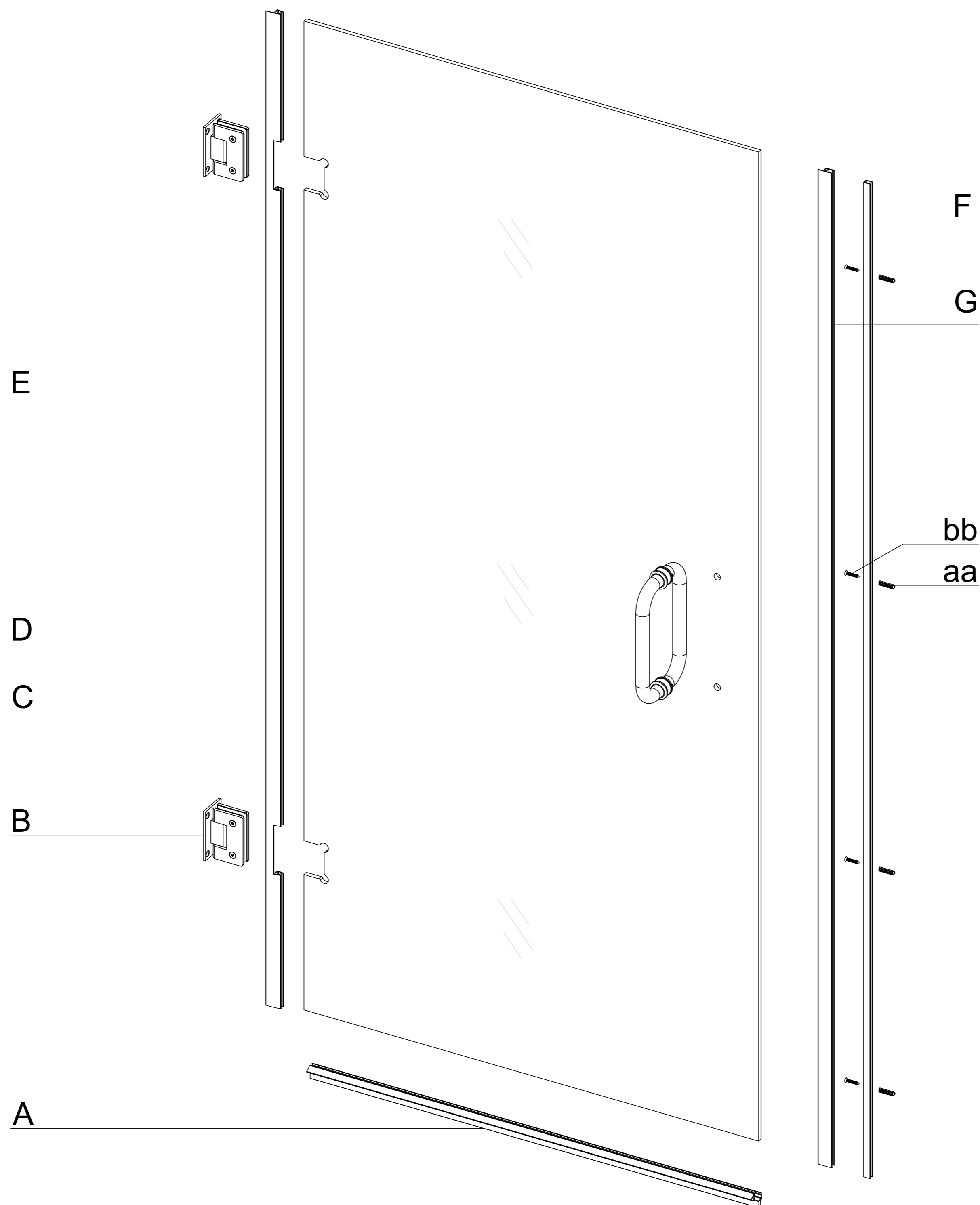
REQUIRED:

Verify threshold and wall with a level.

3/16" (5mm)
Out-of-Plumb
Adjustment within
the Wall Profile.



PACKAGE CONTENT



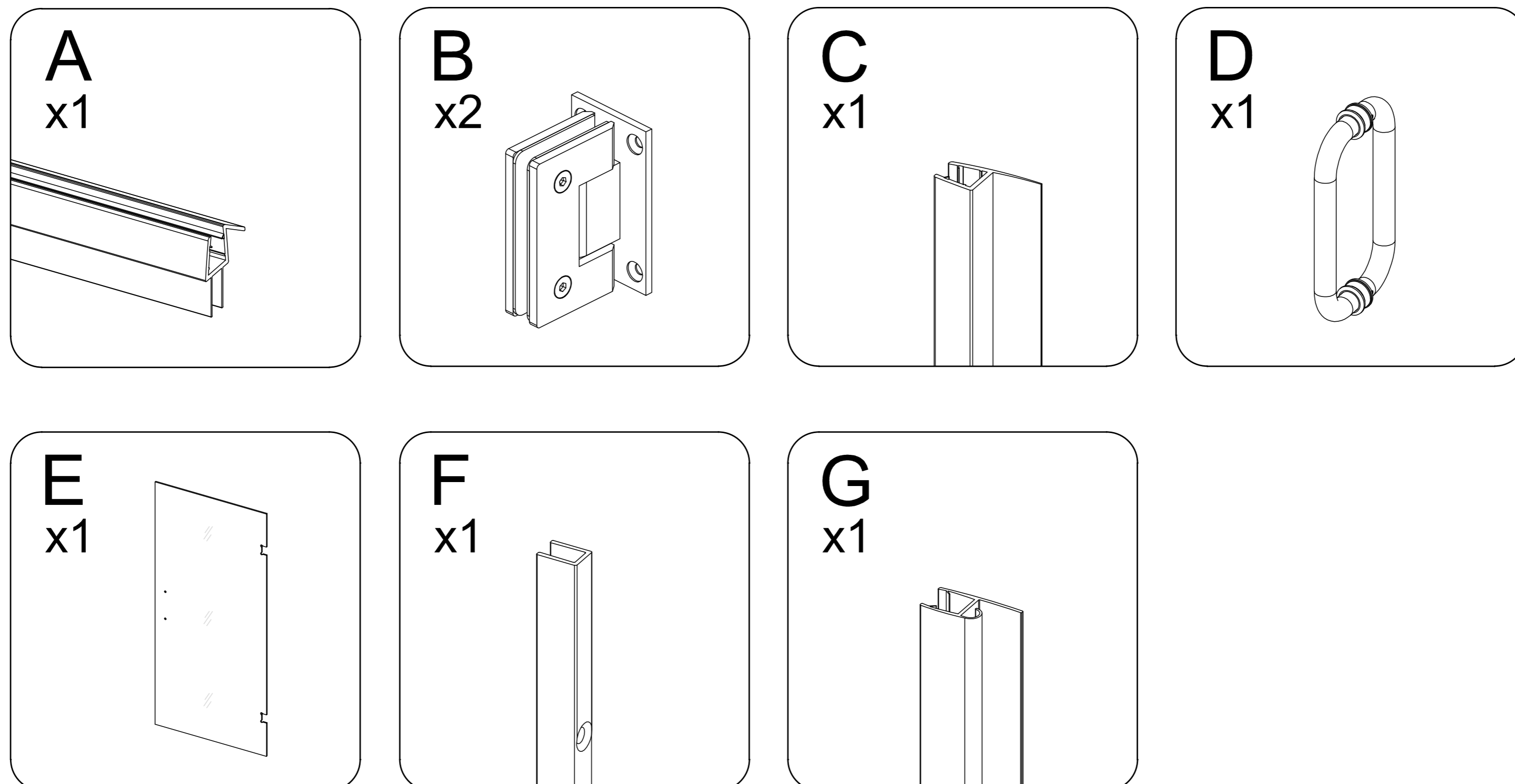
PACKAGE CONTENT

PART#	DESCRIPTION	QTY	PART#	DESCRIPTION	QTY
A	Bottom Anti-Water Strip	1	E	Glass Door	1
B	Hinge	2	F	Profile	1
C	Anti-Water Strip	1	G	Closing Strip	1
D	Handle	1			

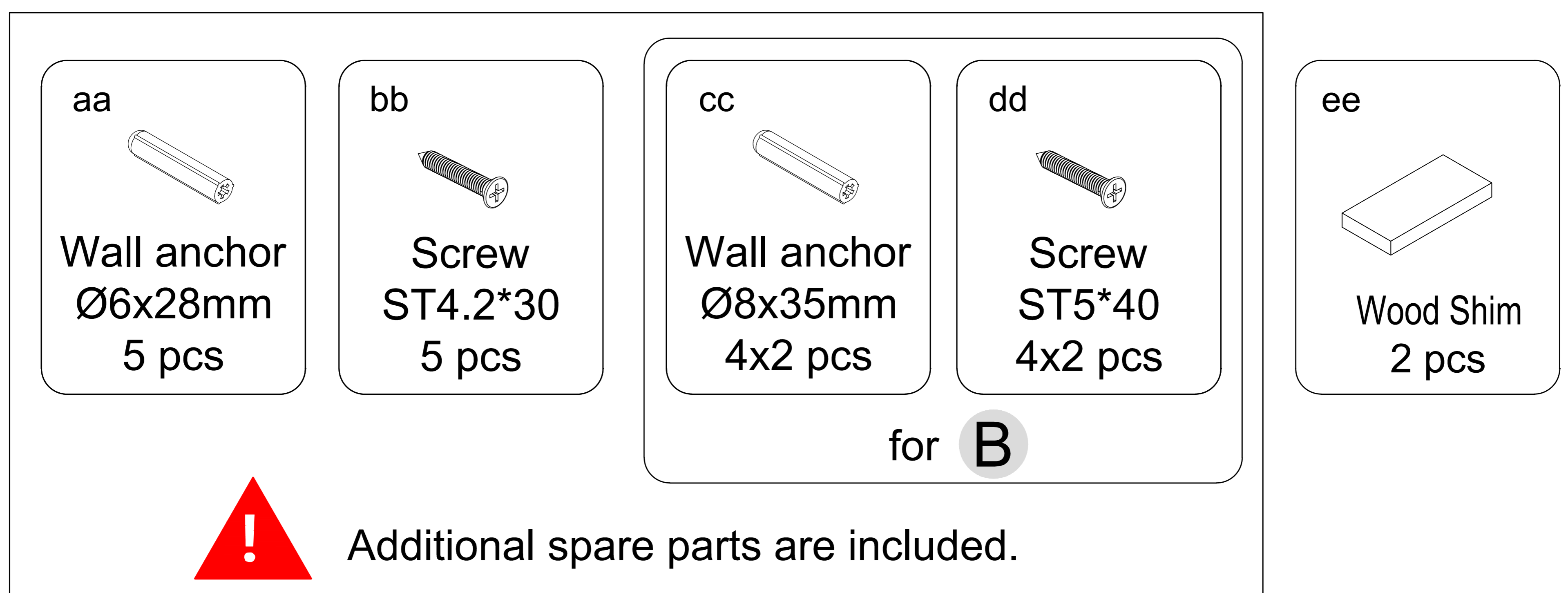
NOTE

Inspect all parts for missing prior to installation!
Contact us for any part missing.

PACKAGE CONTENT



HARDWARE CONTENT

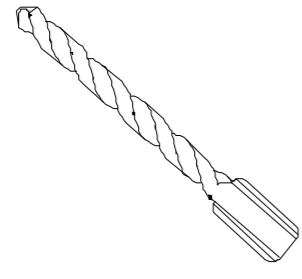


NOTE

Inspect all parts for missing prior to installation!
Contact us for any part missing.

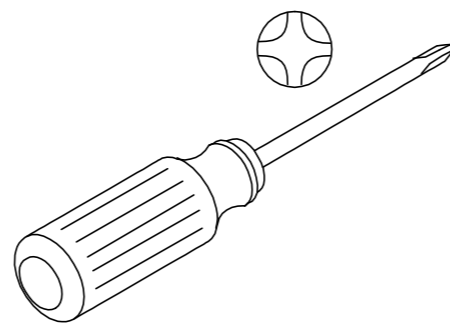
TOOLS REQUIRED

Drill Bits

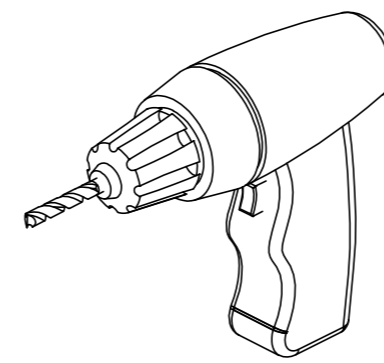


Ø1/8" & Ø1/4" (3 & 6mm) dia.
HSS

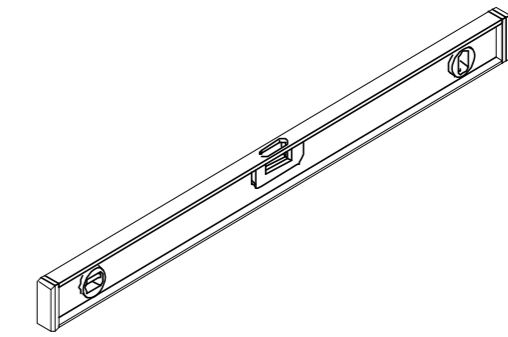
Screw Driver



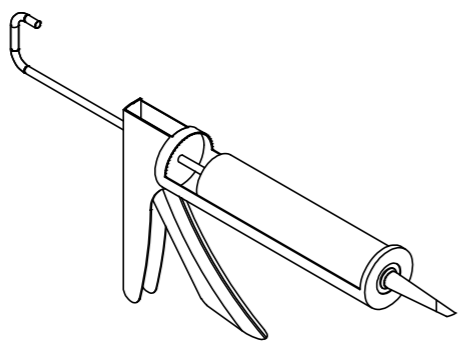
Drill



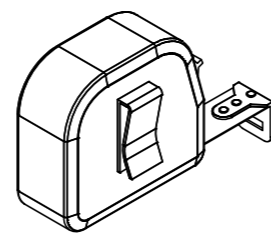
Level



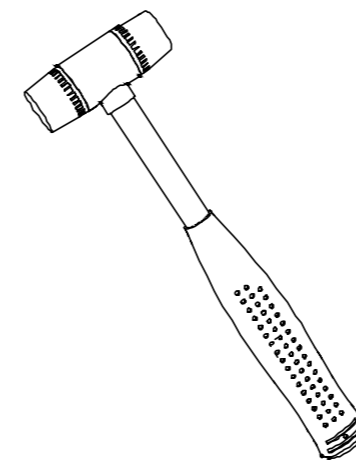
Silicone



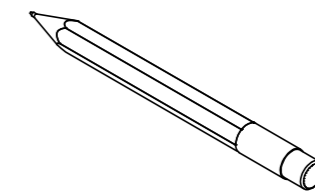
Measuring Tape



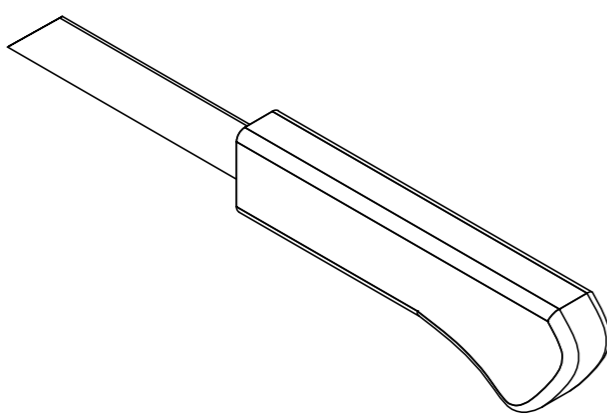
Soft Head Hammer



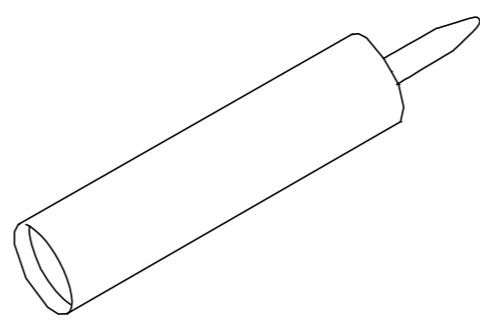
Pencil



Knife



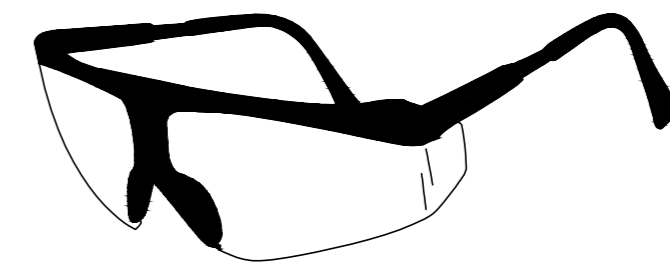
Sealant



MASONRY DRILL BIT FOR TILE
Ø6mm



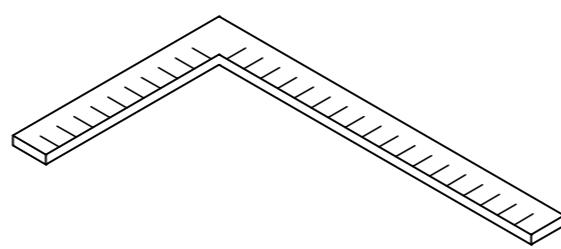
Safety Glasses



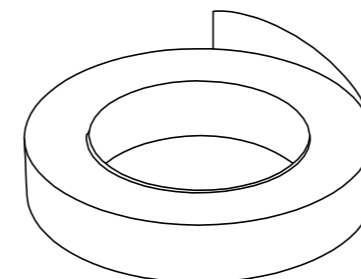
Glove



Carpenter's Squarer



Masking or painter's tape



SAFETY INFORMATION

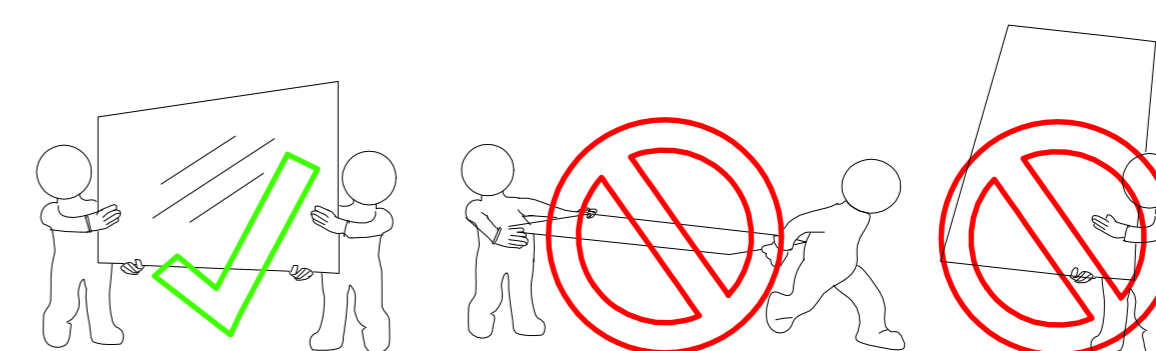
CAUTION

Please carefully read the following important safety information before handling or installing this shower. There is a risk of serious injury while handling this product.

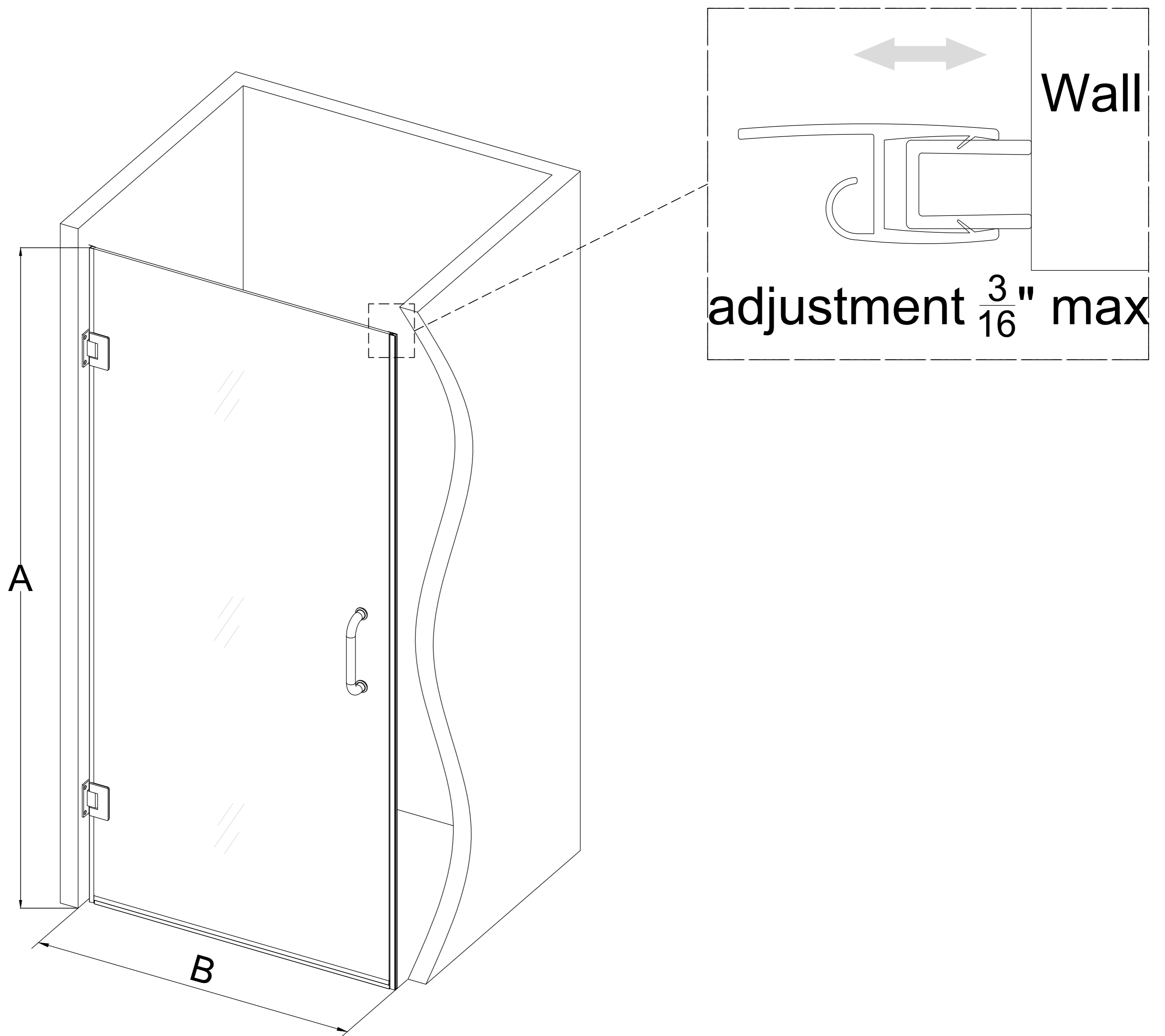
To minimize these risks, please note:

- Always wear safety glasses and gloves while handling.
- Always follow the installation instructions.
- Inspect glass for damage before installation.
- Extreme caution should be taken while handling the glass during installation as the tempered glass may shatter if in contact with a hard surface.
- Do not cut or modify the tempered glass as it will shatter if cut.
- Carefully remove product from packaging and keep packaging until installation is complete.
- Inspect all parts for damage or missing; if there is damage or part missing to the unit prior to installation, please contact customer service at the number provided in this guide.
- Cover the drain with tape to prevent the loss of small parts.
- The shower base and finished walls should be installed before beginning the shower door installation.
- During the installation, protect the shower floor with a drop cloth to avoid damage.
- This product should be installed by two people who are familiar with construction requirements. Professional installation is recommended!
- Keep this installation manual for future reference.

NOTE: Two people should perform this installation.



Model Dimensions



configuration dimensions:

A Product Height	B Model width	Installation width
72"	24"	24" ~24 3/16"
	28"	28" ~28 3/16"
	30"	30" ~30 3/16"
	34"	34" ~34 3/16"

1 Hinge(B) Installation

NOTE

Attach the **Hinges (B)** to the **Glass Door (E)** using two vinyl hinge gasket per side. (Fig 1)

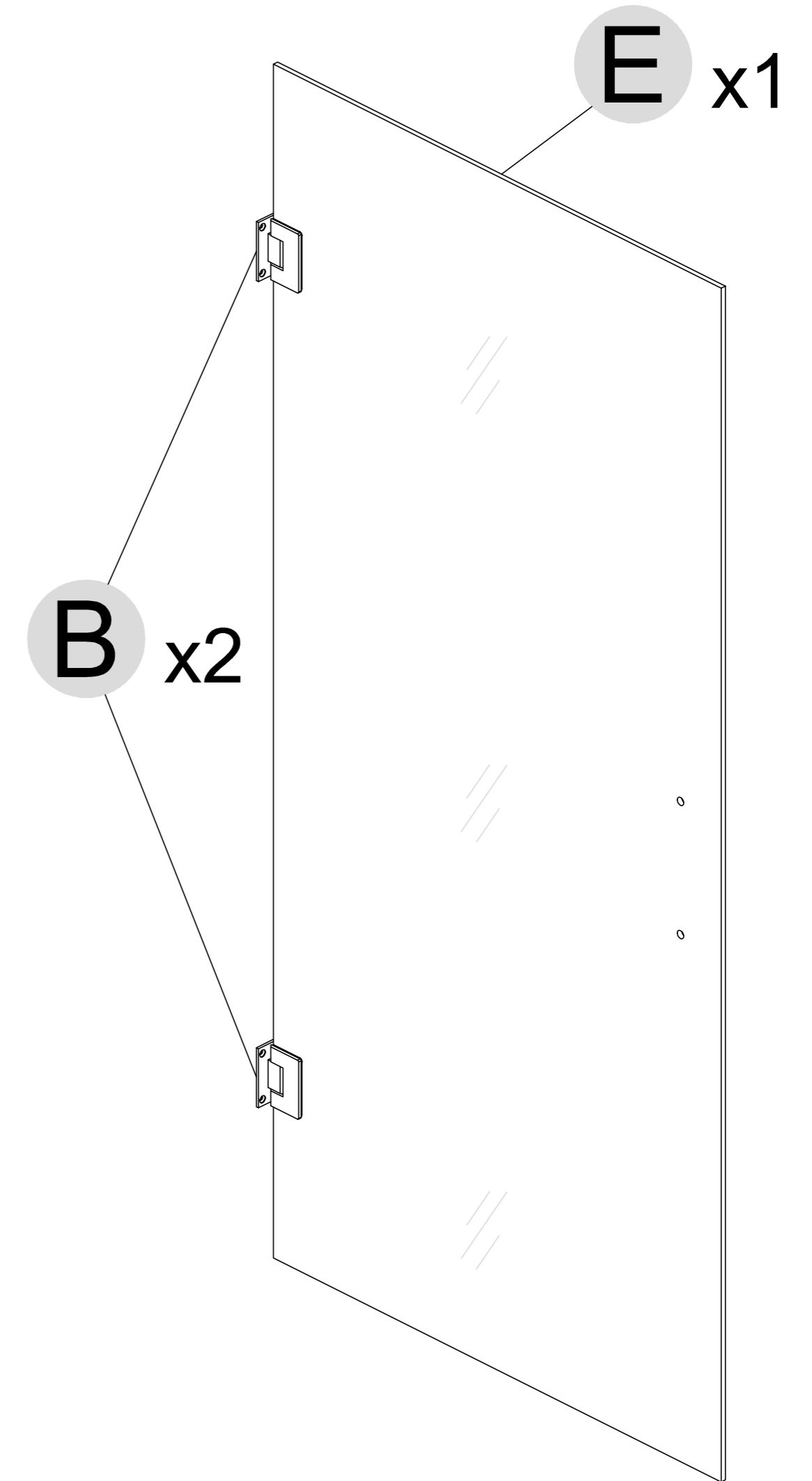
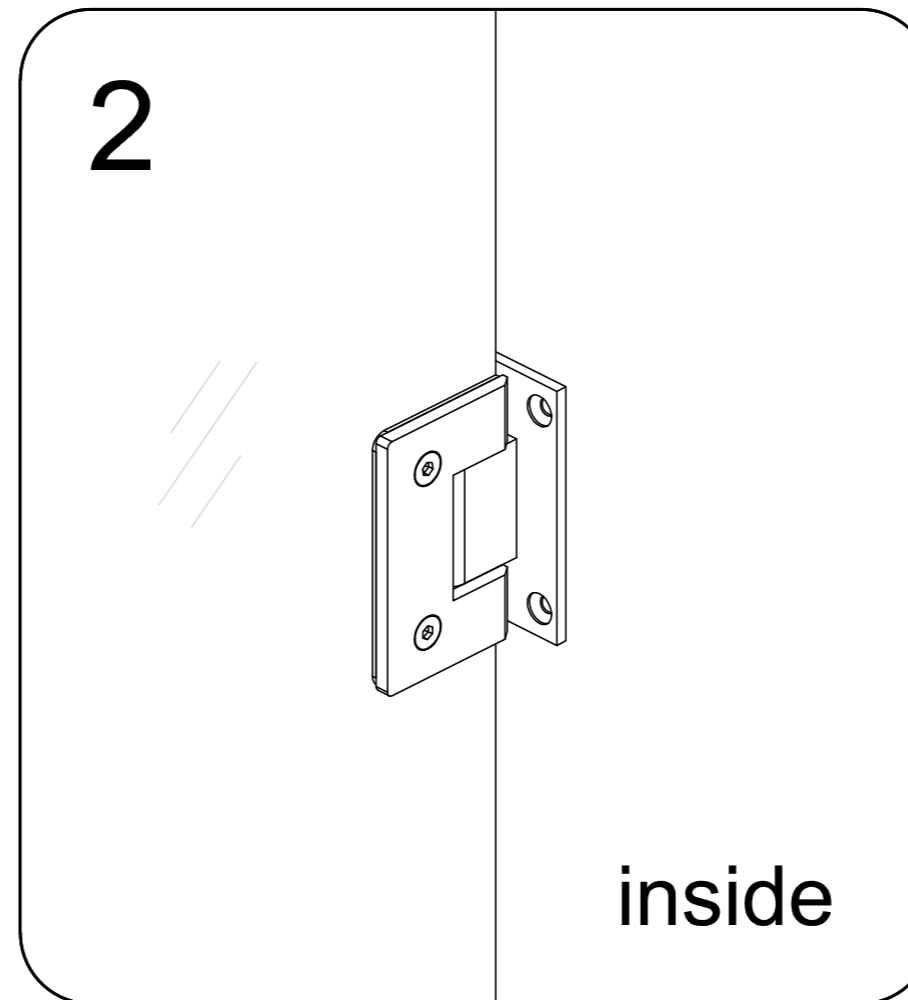
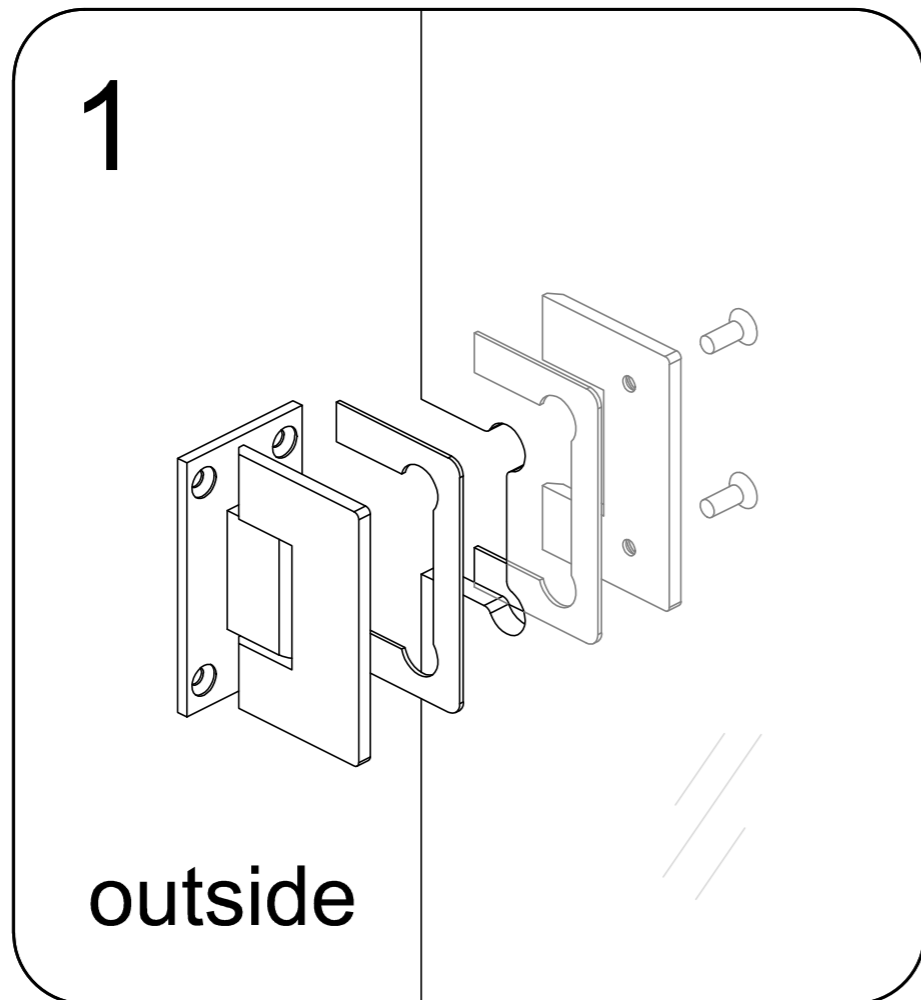


Fig 1



ATTENTION: Never set your glass down directly onto a tile or concrete floor.

Always use a piece of wood or cardboard and leave the corner pads and protective shims on the glass until it becomes necessary to remove them to protect the bottom edge and corners from damage which could lead to breakage.

2 Door Glass Assembly Installation

NOTE

Set the **Door Glass Assembly** onto the threshold at the desired location and check for level. These 3/8" wood will leave the proper spacing at the bottom of the door glass and will ensure that the door height finishes at 72", but always confirm with a measurement. Carefully butt the door with the hinged side against the wall, adjust its position and check for plumb with a level.

ATTENTION: Check the door glass with a level to verify that it is plumb before marking the hinge positions.

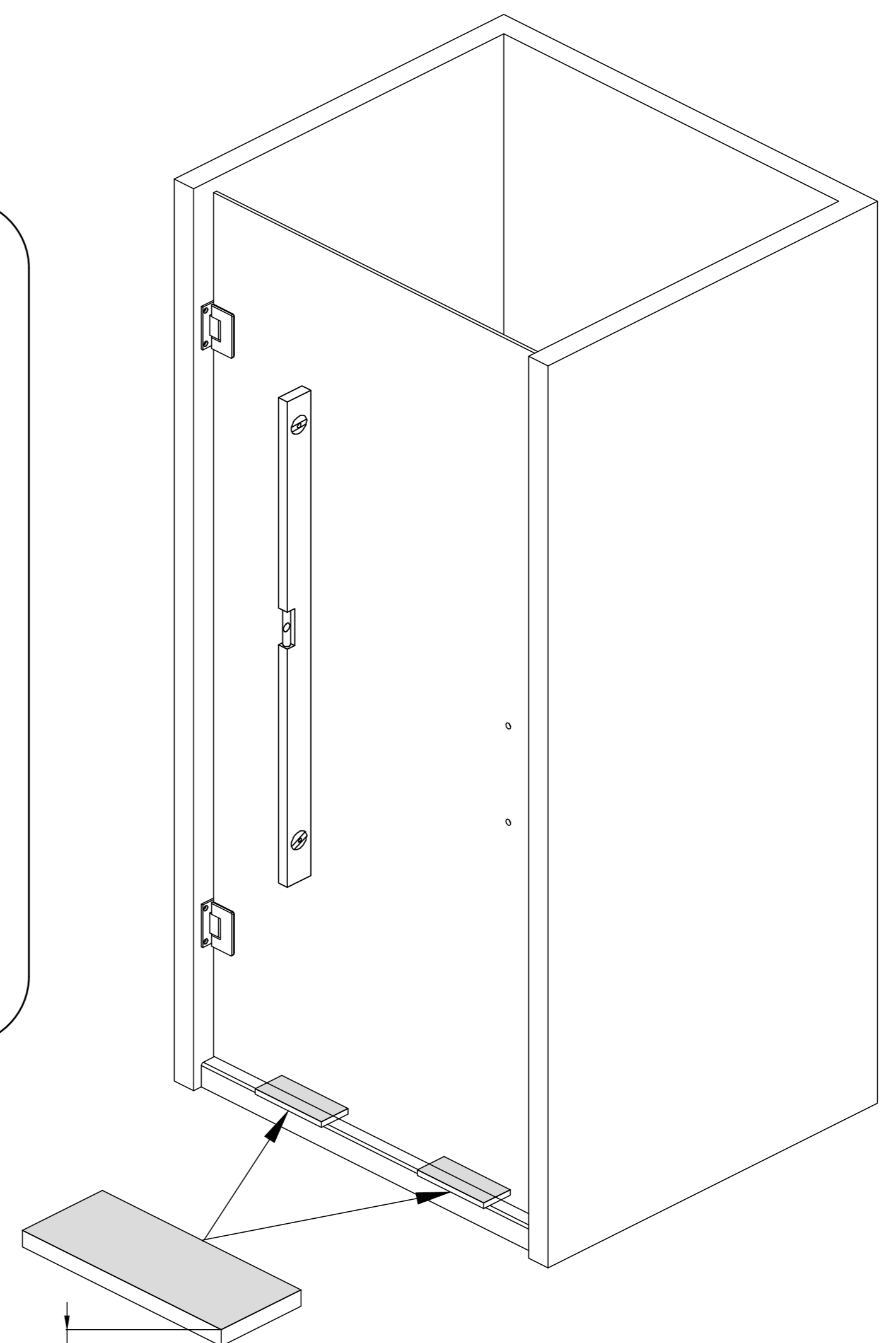


Fig 2

2 Door Glass Assembly Installation

1. Hold the door in place and mark the drill holes for both **Hinges (B)** on the wall. (Fig 3.1)
2. Set the door aside and drill the holes.(Fig 3.2 and Fig 3.3)
3. Place the Door Glass (E) back onto the threshold with the 3/8" wood and attach both hinges to the wall using the **Screws ST5×40 (dd)**. (Fig 3.4)

NOTE

- If a Stud is presented behind the wall: drill $\varnothing 1/8"$ (3mm) pilot holes into the stud and use the ST5.0 x 40mm **Screws (dd)**
- OR
- If No Stud is presented behind the wall: drill $\varnothing 5/16"$ (8mm) holes and insert the **Wall Anchors (cc)** and use the ST5.0 x 40mm **Screws (dd)**.

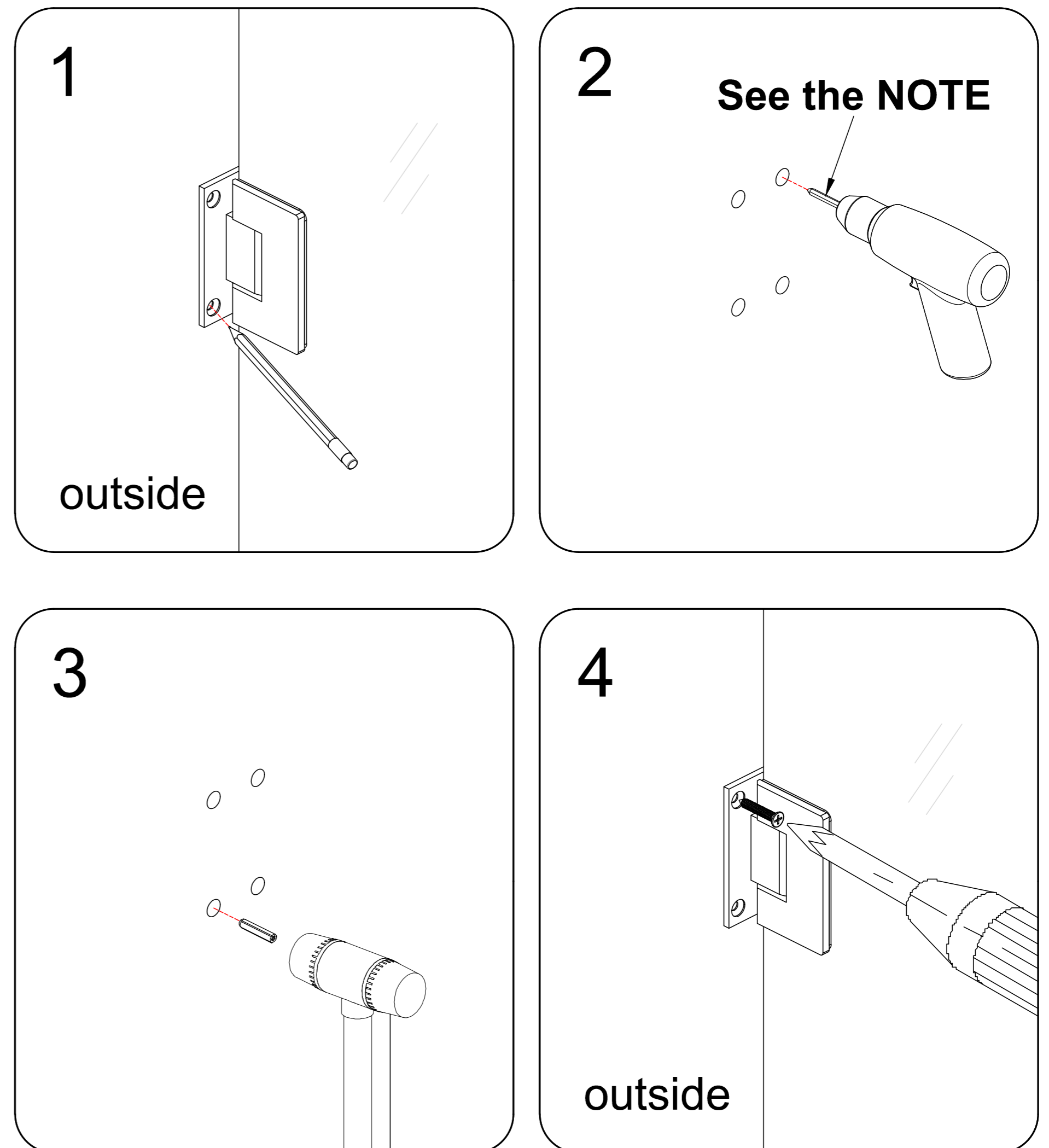


Fig 3

3 Handle(D) Installation

Install the **Handle (D)** onto the the **Glass Door (E)**. (Fig 4)

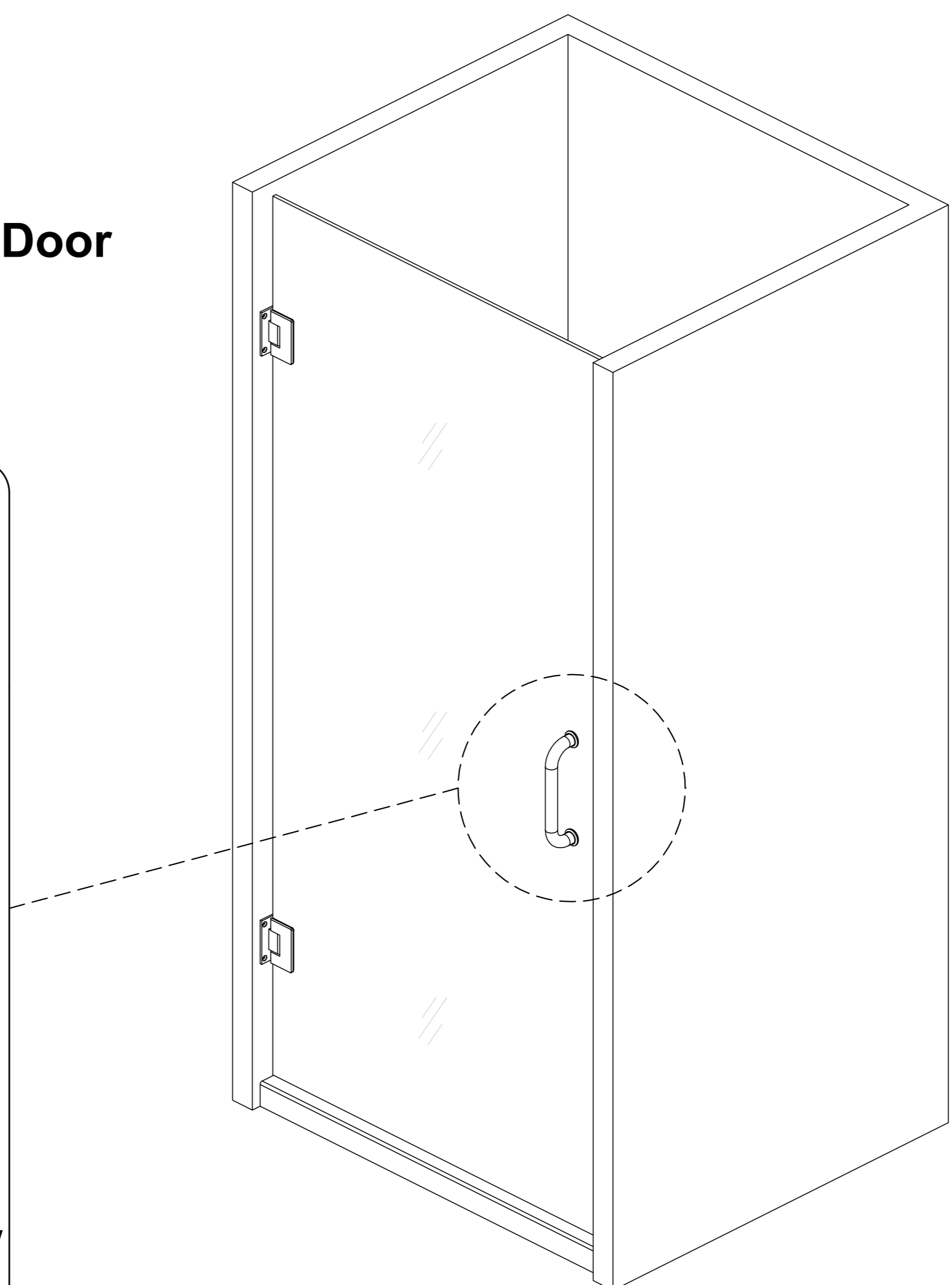
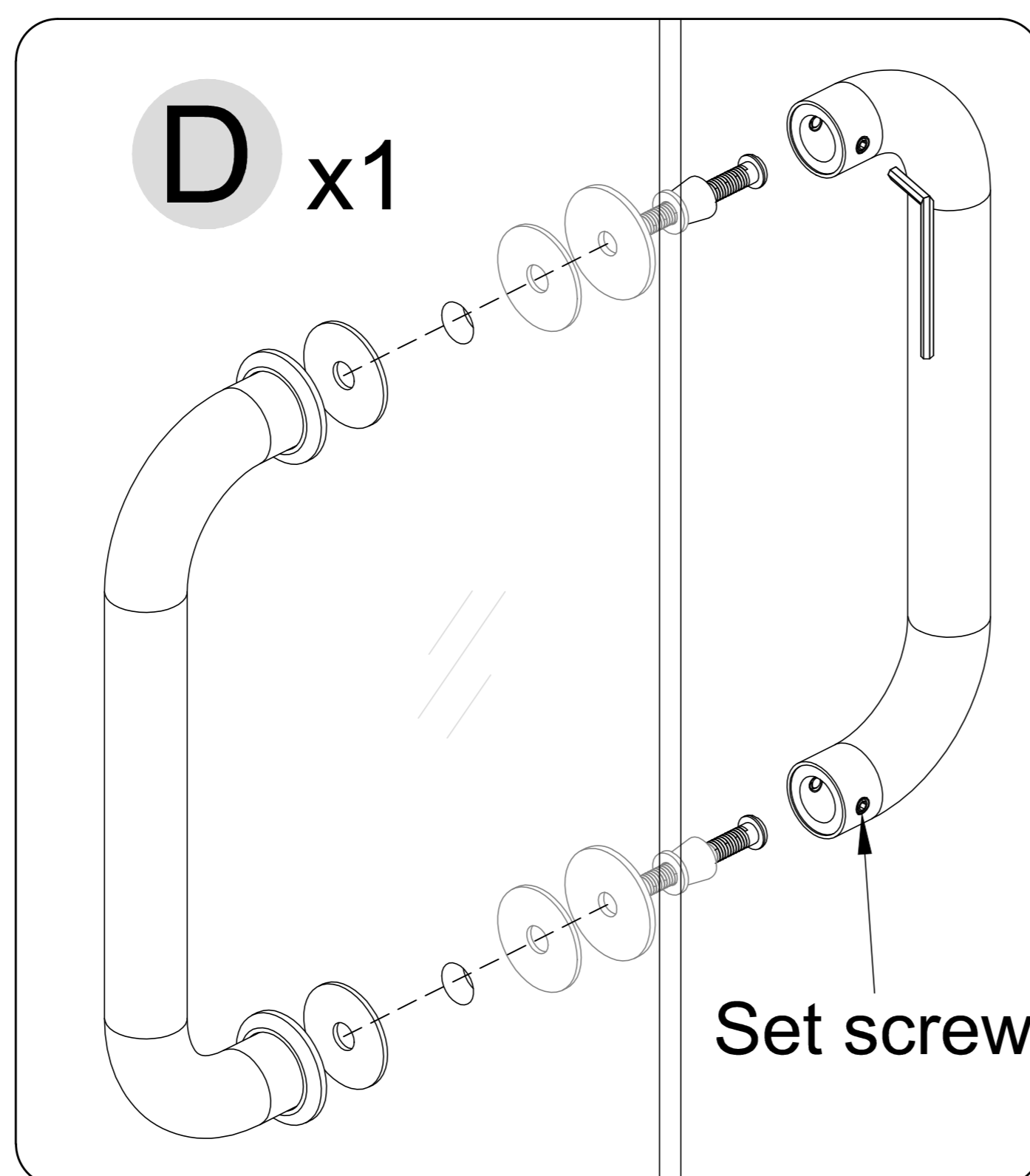


Fig 4

4

Profile(F) & Closing Strip(G) Installation

1. Fit **Profile(F)** and **Closing Strip (G)** together
2. When the **Glass Door(E)** is in the natural closing state, lean **Closing Strip (G)** against the edge of the door. (Fig 5.1)
3. Make the hard edge of **Closing Strip (G)** close to **Glass Door(E)**, and then mark the current position of **Profile (F)**.

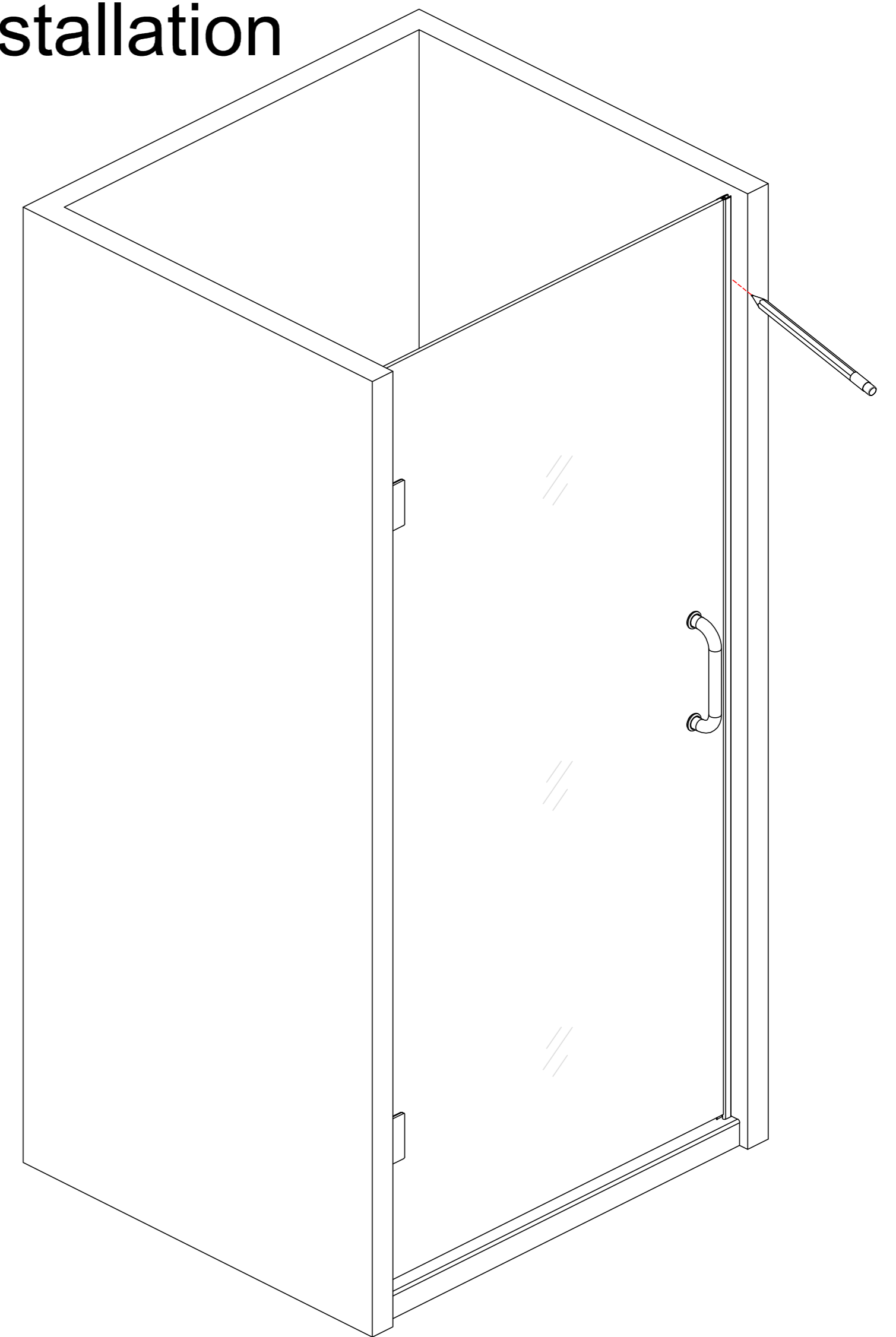
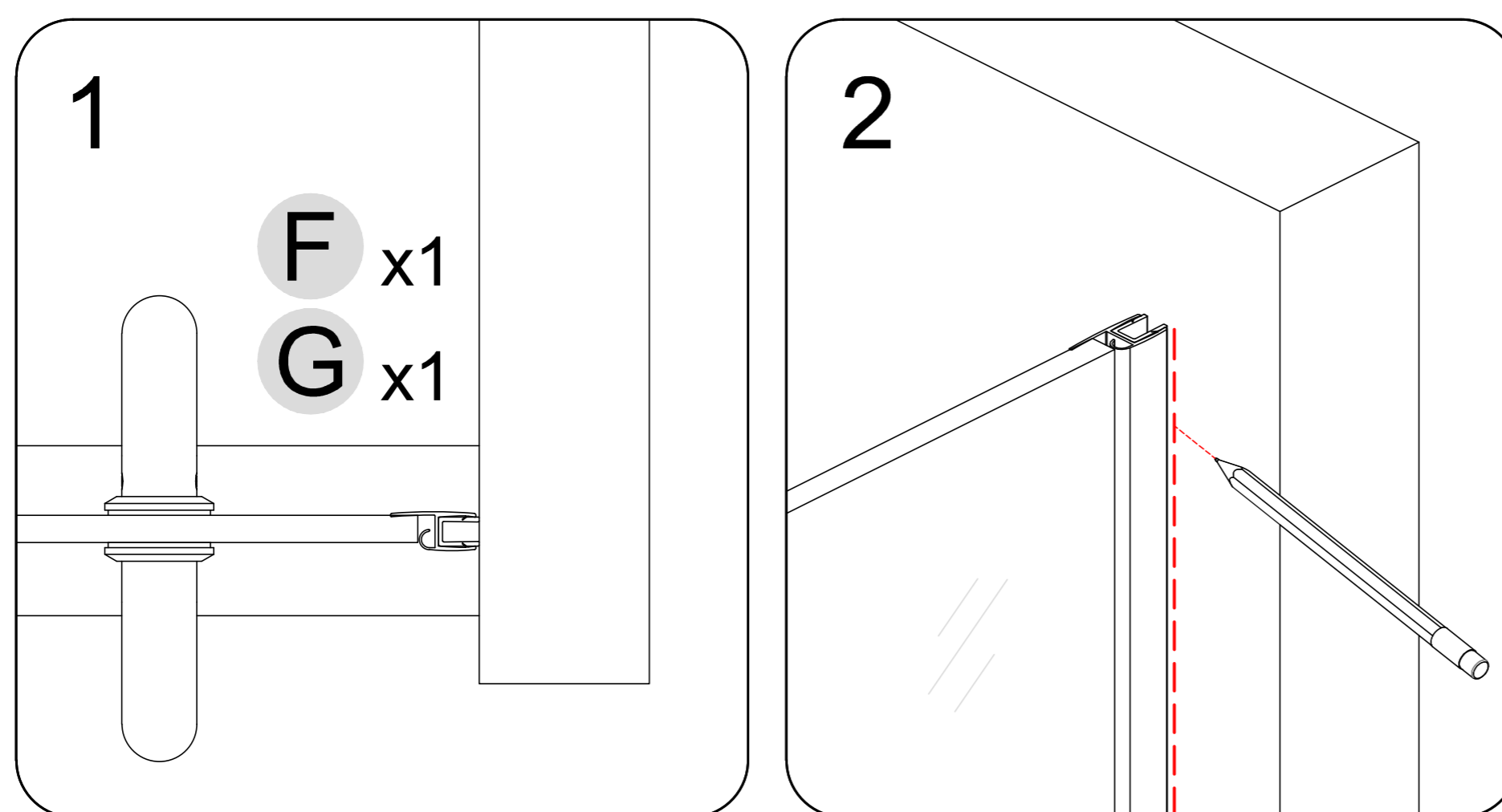


Fig 5



NOTE

1. Mark the hole position of **Profile(F)** according to the reference line drawn in the previous step. (Fig 6.1)
2. Drill the holes in the wall using a $\text{Ø}1/4''(6\text{mm})$ drill bit. (Fig 6.2)
3. Insert the **Wall Anchors $\text{Ø}6\text{x}28\text{mm}$ (aa)**. (Fig 6.3)
4. Screw the **Profile(F)** on the wall with **Screw ST4X30 (bb)**. (Fig 6.4)
5. Install **Closing Strip (G)** on **Profile(F)**. (Fig 6.5)

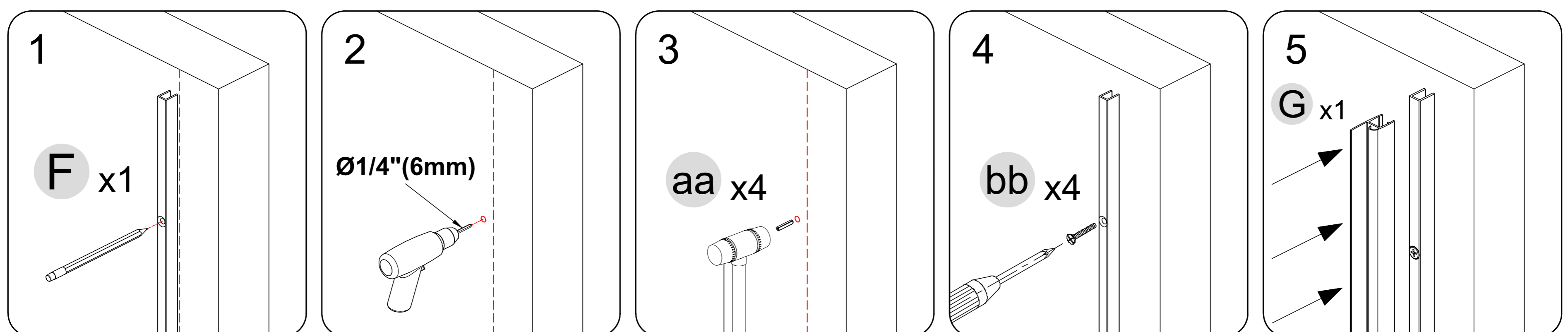


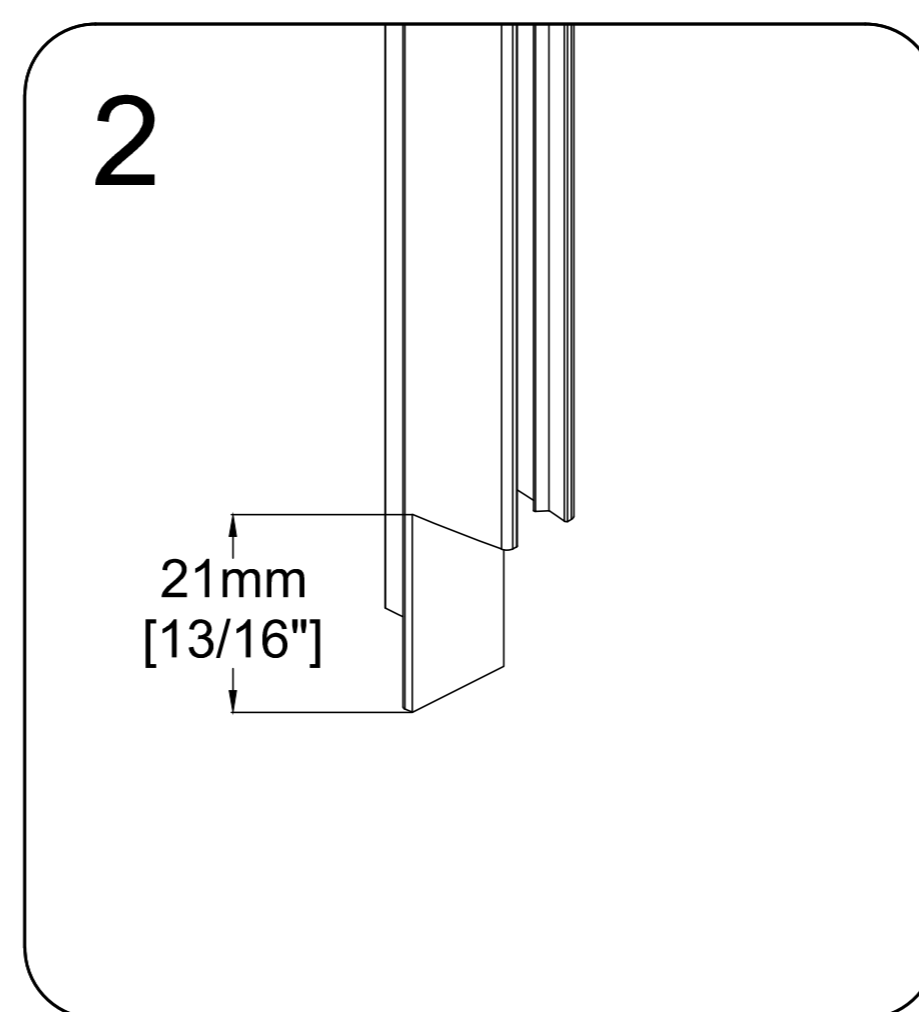
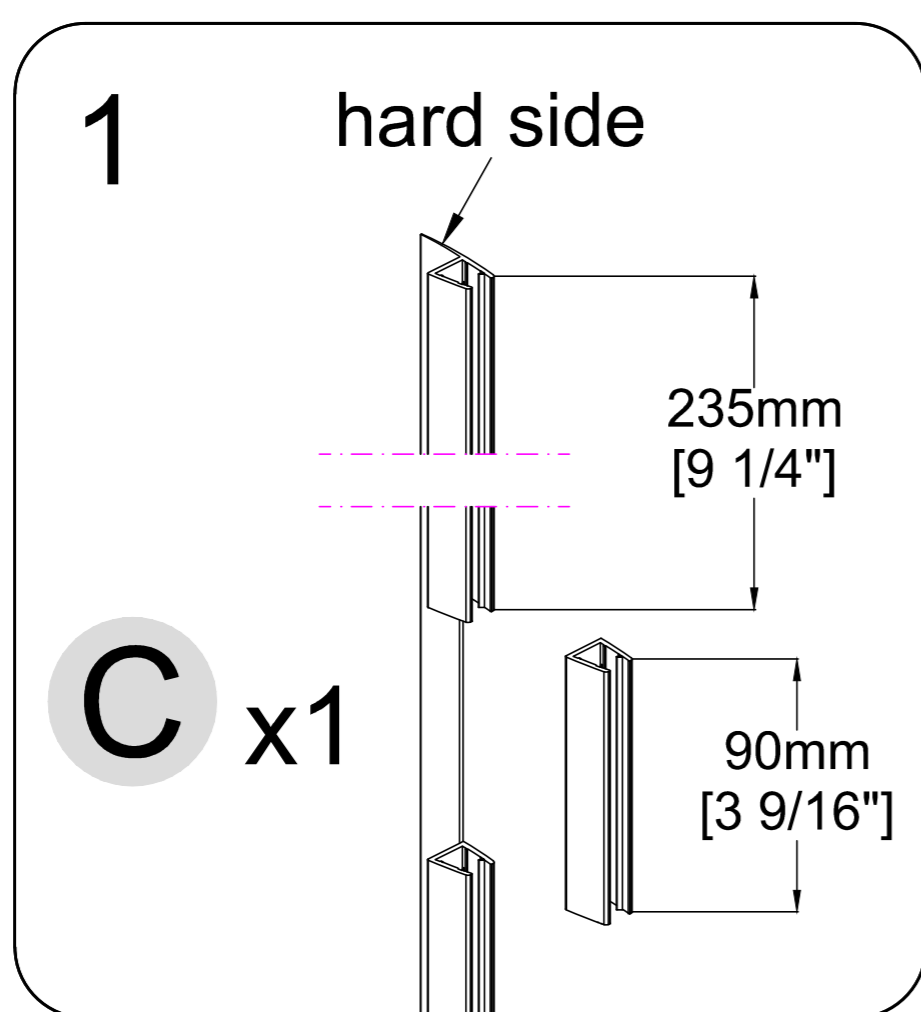
Fig 6

5 Anti-Water Strip(C) Installation

NOTE

Cut the **Anti-Water Strip(C)** as shown in the (Fig 7).

ATTENTION: Note the installation position of **Hinge (B)**, **Anti-Water Strip(C)** is installed on the glass at **Hinge (B)** side, and the end with hard edge is close to the shower area.



Hinged Left installation shown

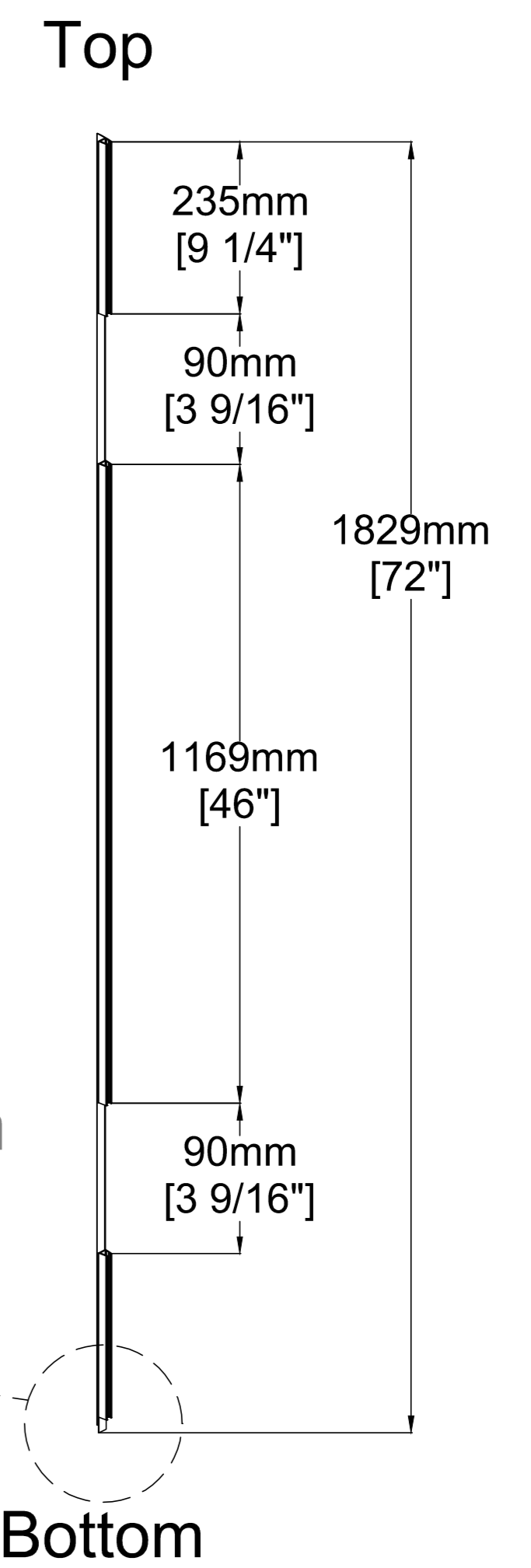


Fig 7

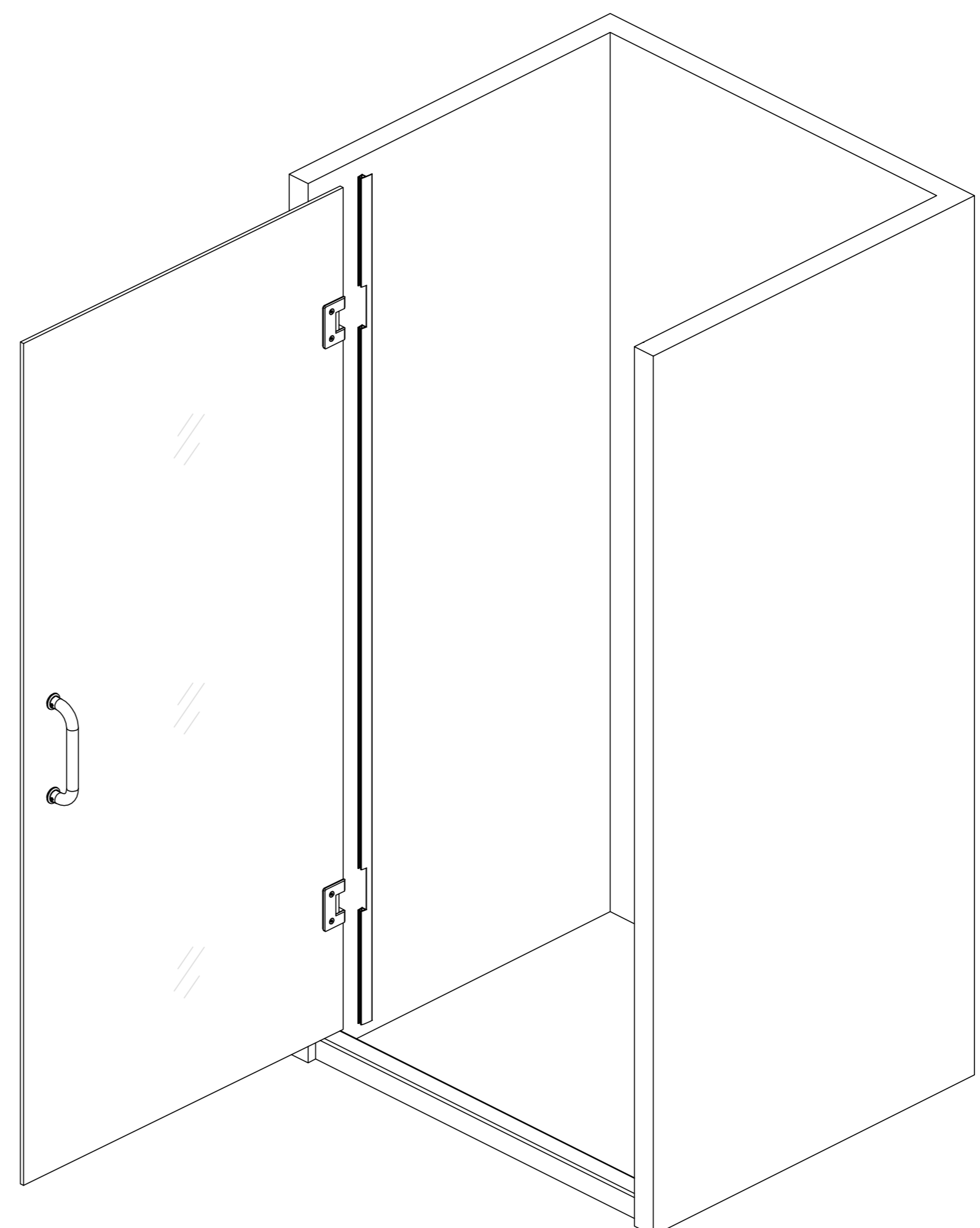
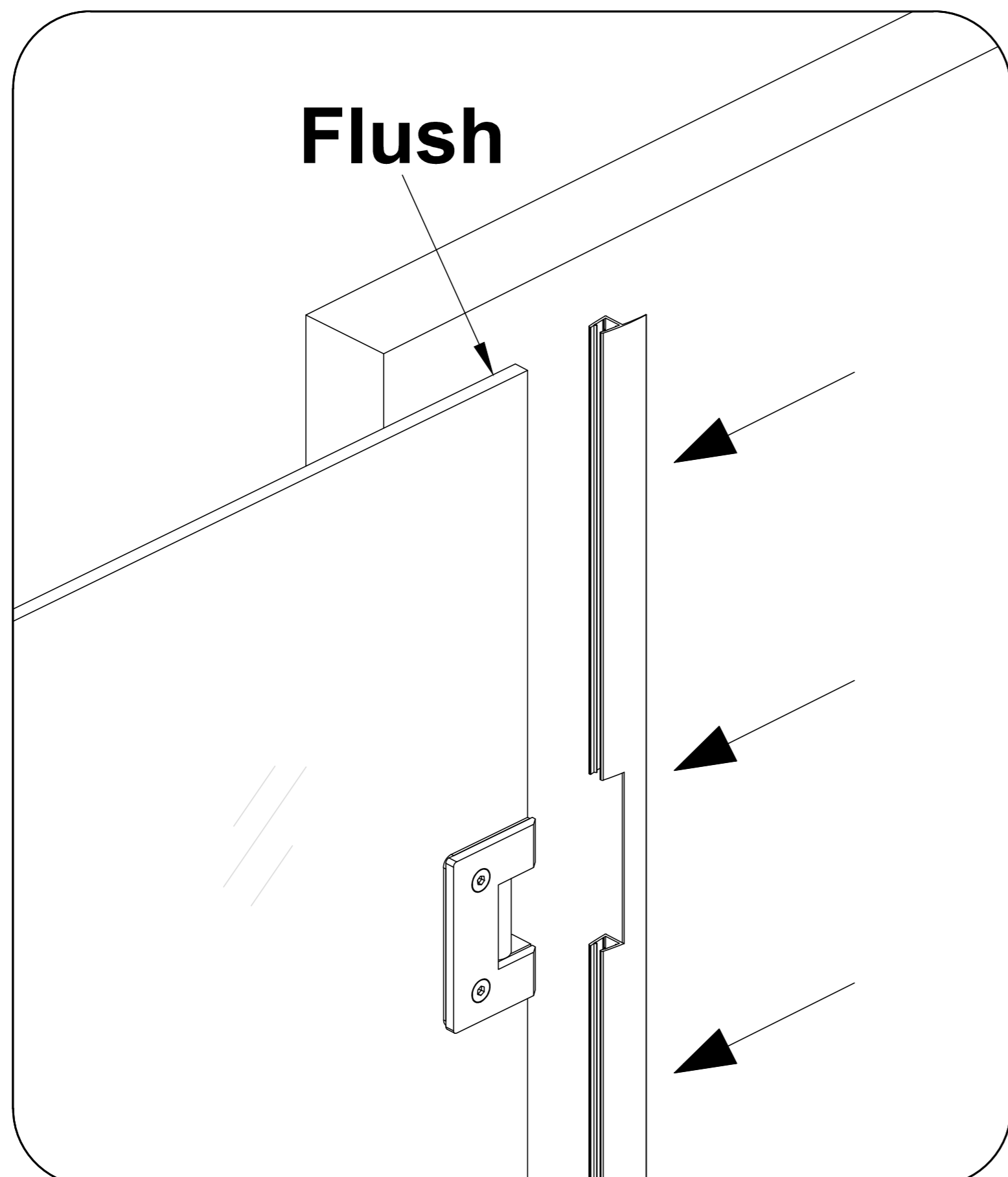


Fig 8

6 Bottom Anti-water Strip(A) Installation

NOTE

1. Measure the bottom of the **Glass Door (E)** from end to end to determine the actual width of the glass.
2. Cut the **Bottom Anti-water Strip (A)** to the size of your measurement (glass width X). (Fig 9.1)
3. Notch 3/8" of the inner side of the **Bottom Anti-water Strip(A)** near the hand side as shown. (Fig 9.2)
4. Press the **Bottom Anti-Water Strip (A)** onto the bottom edge of the **Glass Door (E)**. (Fig 9.3)

Hinged Left
installation shown

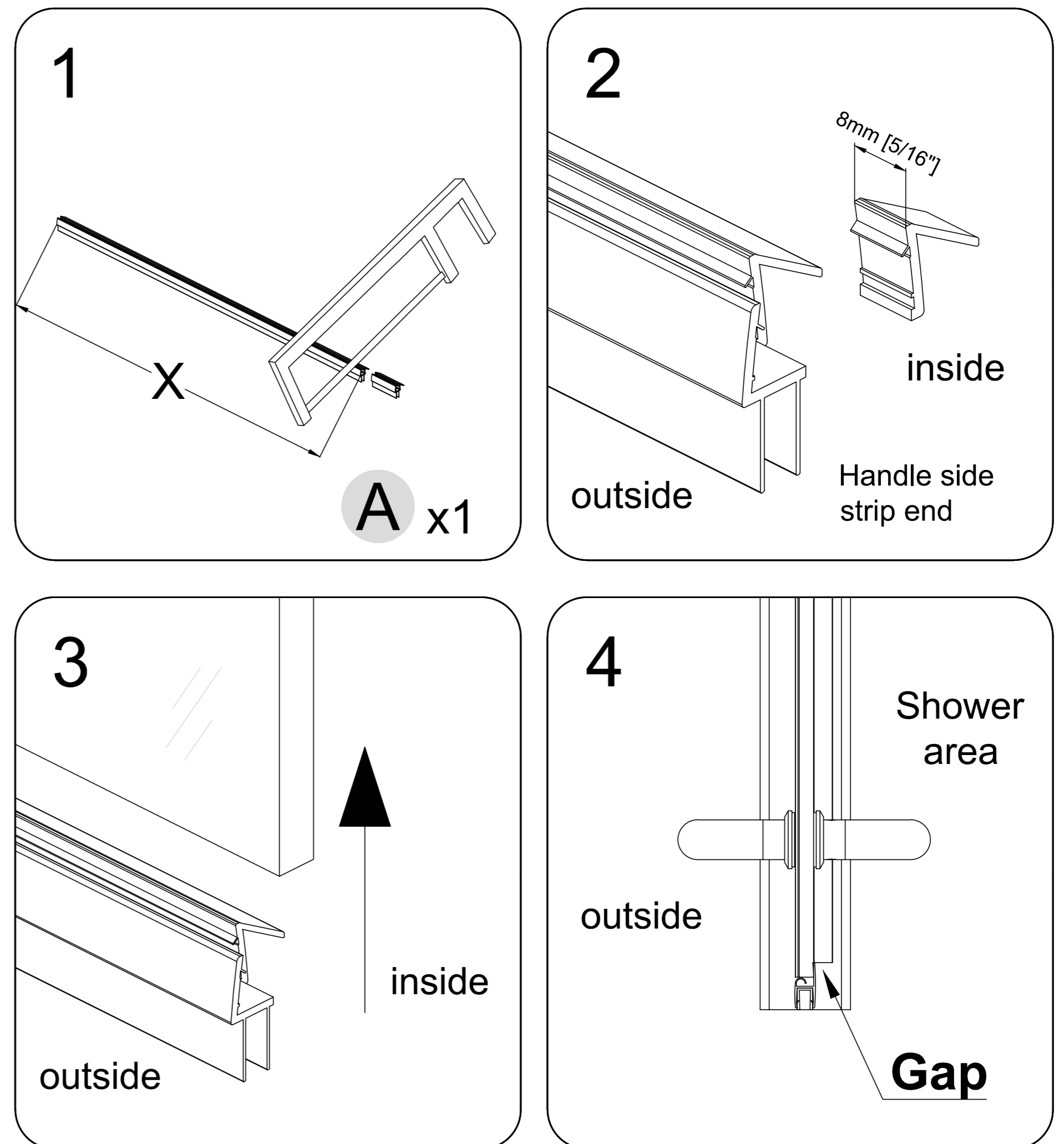


Fig 9

NOTE

1. Adjust **Closing Strip (G)** to make **Glass Door (E)** just touch the soft edge of **Closing Strip (G)** when closing the door. (Fig 10.1)
2. If the previous step cannot be adjusted well, the glass can be pulled out or pushed forward a little by adjusting the set screw tightness of **Hinge (B)**. (Fig 10.2)

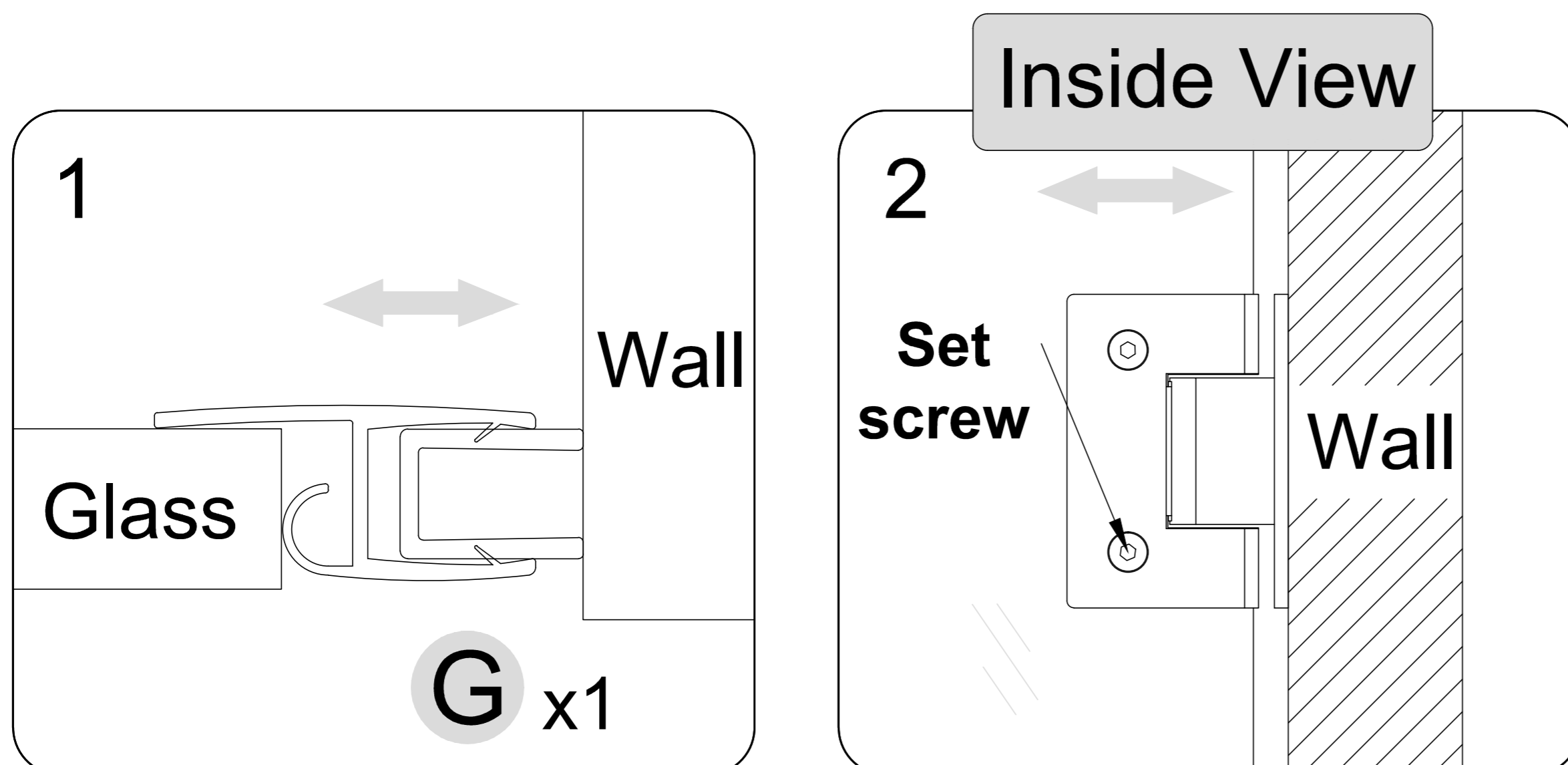


Fig 10

GrGro