

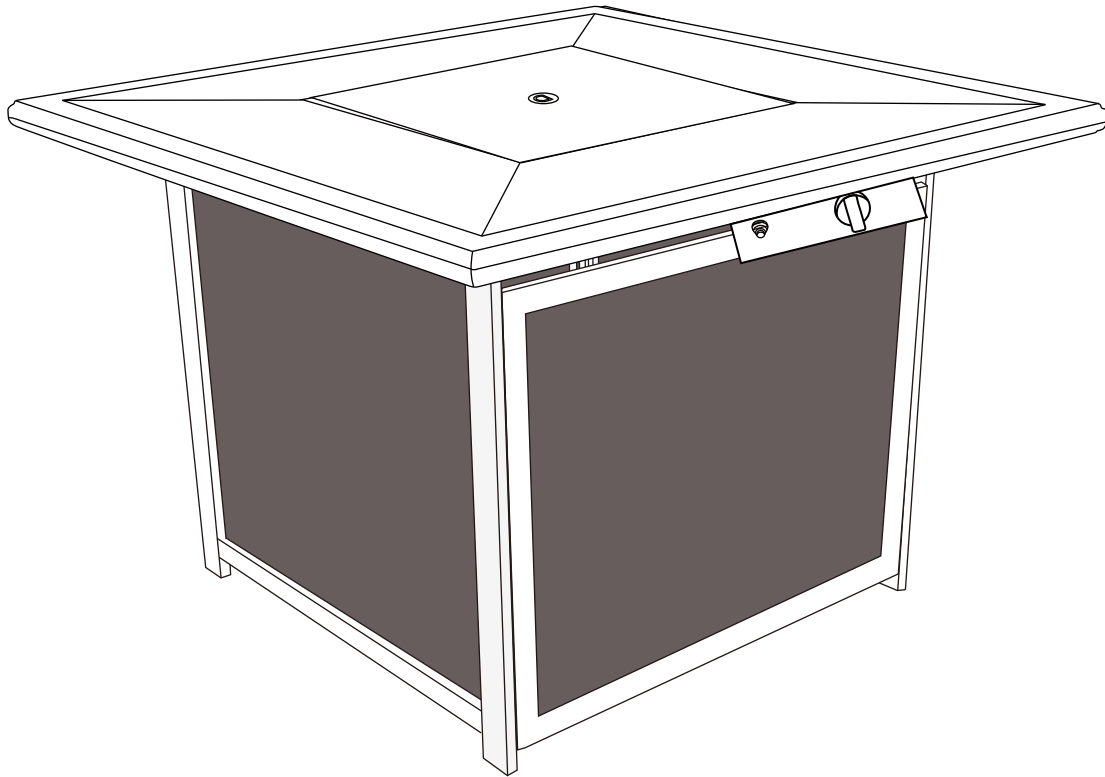


Item #:1003369086  
Model #:TRS40G2

## USE AND CARE GUIDE

---

### River Crossing Firepit Set



Questions, problems, missing parts? Before returning to the store,  
call Hampton Bay Customer Service.  
8 a.m. - 7 p.m., EST, Monday - Friday, 9 a.m. - 6 p.m., EST, Saturday

**1-855-HD-HAMPTON**

**HAMPTONBAY.COM**

---

#### THANK YOU

*We appreciate the trust and confidence you have placed in Hampton Bay through the purchase of this sectional set. We strive to continually create quality products designed to enhance your home. Visit us online to see our full line of products available for your home improvement needs. Thank you for choosing Hampton Bay!*

# Table of Contents

Table of Contents.....	2	Pre-Assembly .....	5
Safety Information .....	2	Planning Assembly .....	5
Product Caution .....	2	Hardware Included .....	5
Safety Warnings .....	2	River Crossing Firepit Set Package Contents.....	6
Warranty .....	2	Assembly.....	7
What is Covered .....	2	Care and Cleaning.....	19
What is Not Covered .....	2		

## Important Safety Instructions

### PRODUCT CAUTION

This set was made for the explicit purpose of providing outdoor functions and is not to be used as a toy. This product is intended for normal outdoor use; however, the manufacturer recommends storing and / or covering this set when any formidable / severe weather is approaching. Do not locate this product near open flames. Do not use this product as a support. Do not shake, lean or climb on the product. Children under the age of 10, near the product, should be supervised by a competent adult at all times.

### SAVE THESE INSTRUCTIONS



**WARNING: FUELS USED IN LIQUEFIED PROPANE GAS APPLIANCES AND THE PRODUCTS OF COMBUSTION OF SUCH FUELS, CAN EXPOSE YOU TO CHEMICALS INCLUDING BENZENE, WHICH IS KNOWN TO THE STATE OF CALIFORNIA TO CAUSE CANCER AND CAUSE BIRTH DEFECTS OR OTHER REPRODUCTIVE HARM. For more information go to: [www.P65Warnings.ca.gov](http://www.P65Warnings.ca.gov).**



**WARNING: Please keep children out of the assembly area before assembly.**



**WARNING: Do not place heavy objects on the table top.**



**CAUTION: When not in use, secure the product in a cool and covered location**

### READ ALL INSTRUCTIONS BEFORE USE

To reduce the risk of injury to persons:

1. Close supervision is necessary when this furnishing is used by or near children, or disabled persons, if applicable.
2. Use this furnishing only for its intended use as described in these instructions. Do not use attachments not recommended by the manufacturer.

### SAFETY INSTRUCTIONS

This outdoor appliance is not intended to be installed in or on recreational vehicles and/or boats.

1. Only use the regulator with hose assembly supplied with your appliance. A replacement regulator with hose assembly must be the one specified in this manual.
2. Have your LP gas tank filled by a reputable propane gas dealer and visually inspected and requalified at each filling.
3. Never fill the gas tank beyond 80 percent full. Have your propane gas dealer check the release valve after every filling to ensure that it remains free of defects.
4. Always keep LP gas tanks in an upright position. Do not store (or use) gasoline or other flammable vapours and liquids in the vicinity of this appliance.
5. LP gas tanks not connected for use must NOT be stored inside of the appliance or in the vicinity of this or any other gas appliance.
6. Do not subject the LP gas tank to excessive heat. Never store an LP gas tank in a garage or any other indoor location. Always disconnect the LP gas tank first and store it safely outside.
7. LP gas tanks must be stored outdoors in a well-ventilated area and out of children's reach. Disconnected LP gas tanks must not be stored in a building, garage, or any other enclosed area.
8. When your appliance is not in use, the gas must be turned off at the gas tank.
9. The regulator with hose assembly should be inspected before each use. If there is excessive wear, any abrasions, or if the hose is cut, it must be replaced prior to use of the appliance.
10. Keep the gas regulator hose away from hot surfaces. Avoid unnecessary twisting of the hose. Visually inspect the hose for cuts, cracks, excessive wear, or damage prior to each use of the appliance. If the hose is damaged DO NOT use the appliance. Call 1-877-539-7436 for an authorized replacement hose.
11. Never allow children to play near your appliance.

When an appliance is intended for connection to a fixed piping system, the installation must conform with local codes or, in the absence of local codes, with the National Fuel Gas Code, ANSI Z223.1 NFPA 54; National Fuel Gas Code; Natural Gas and Propane Installation Code, CSA B149.1; or Propane Storage and Handling Code, CSA B149.2, as applicable.

## Warranty

### 2 YEAR FRAME AND 2 YEAR FABRIC LIMITED WARRANTY

#### WHAT IS COVERED

We warrant the frames to be free of manufacturing defects to the original purchaser for two years, and a two year limited warranty for the fabric.

#### WHAT IS NOT COVERED

It remains the customer's responsibility for freight and packaging charges to and from our service center. This warranty does not cover commercial use, hardware, acts of nature, fire, freezing and abusive use. In addition, purchased parts are not covered under this warranty. We reserve the right to make substitutions with similar merchandise, if the model in question is no longer in production.

Contact the Customer Service Team at 1-855-HD-HAMPTON or visit [www.hamptonbay.com](http://www.hamptonbay.com)

## Important Safety Instructions (continued)



### **WARNING: For Outdoor Use Only**

Installation and service must be performed by a qualified installer, service agency, or the gas supplier.



**Warning:** If the information in this manual is not followed exactly, a fire or explosion may result causing property damage, personal injury, or loss of life.

- Do not store or use gasoline, or other flammable vapors and liquids, in the vicinity of this or any other appliance.
- An LP-cylinder not connected for use shall not be stored in the vicinity of this or any other appliance.



### **DANGER: FIRE OR EXPLOSION HAZARD**

If you smell gas:

- Shut off gas to the appliance.
- Extinguish any open flame.
- If odor continues, leave the area immediately.
- After leaving the area, call your gas supplier or fire department.

Failure to follow these instructions could result in fire or explosion, which could cause property damage, personal injury, or death.



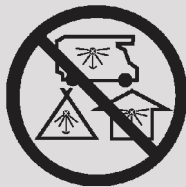
**Warning:** Improper installation, adjustment, alteration, service or maintenance can cause property damage, personal injury or loss of life. Refer to the owner's information manual provided with this appliance. Installation and service must be performed by a qualified installer, service agency, or the gas supplier.

**INSTALLER:** Leave this manual with the appliance.

**CONSUMER:** Retain this manual for future reference.



## **DANGER**



### **CARBON MONOXIDE HAZARD**

This appliance can produce carbon monoxide which has no odor.

Using it in an enclosed space can kill you.

Never use this appliance in an enclosed space; such as a camper, tent, car, or home.

# Important Safety Instructions (continued)



## WARNING

Keep the appliance area clear and free from combustible materials, gasoline, and other flammable vapors and liquids.

Solid fuels should not be burned in this gas appliance.

Inspect the hose before each use of the appliance. The hose assembly must be replaced prior to the appliance being put into operation if there is evidence of excessive abrasion, wear, or if the hose is damaged. The replacement hose assembly is specified in this manual.

The burner must be inspected before each use. The burner must be replaced prior to the appliance being put into operation if it is evident that the burner is damaged. The replacement burner is specified in this manual.

### **The burner should always be cleaned:**

Disconnect it from the appliance, use a cleaner to remove blockages attached on the ports, and drain the blockages from the gas inlet. A high pressured stream of water may also be used.



## WARNING

Do not use this appliance if any part has been under water. Immediately call a qualified service technician to inspect the appliance and to replace any part of the control system and any gas control that has been under water.

This appliance is for outdoor use only in a well-ventilated space and should not be used in a building, garage, or any other enclosed area. Other cylinders may be acceptable for use with the appliance provided that they are compatible with the appliance retention means and accompanied by illustration(s) depicting the cylinder mounted to the appliance utilizing the cylinder retention means and the point of contact between the cylinder and the retention means. The cylinder should be 12 inches in diameter and 18 inches high. The capacity is 20lbs of propane.

Locate the gas hose and make sure that it is not in any pathways where people may trip over it or in any areas where the hose may be subject to accidental damage.



## WARNING

If the appliance is not in use, the gas must be turned off at the supply cylinder.

Storage of an appliance indoors is permissible only if the cylinder is disconnected and removed from the appliance.

Cylinders must be stored outdoors in a well-ventilated area and out of children's reach.

Disconnected cylinders must have a dust cap secured at the end of the valve and cannot be stored in a building, garage, or any other enclosed area.

The pressure regulator and hose assembly supplied with this appliance must be used. Replacement pressure regulators and hose assemblies must be the ones specified in this manual.



## WARNING

The cylinder supply system must be arranged for vapor withdrawal.

The cylinder used must include a collar to protect the cylinder valve.

### **The LP-gas supply cylinder to be used must be:**

1. Constructed and marked in accordance with the U.S. Department of Transportation (D.O.T.) Specifications for LP-Gas Cylinders, or the Standard for Cylinders, Spheres and Tubes for Transportation of Dangerous Goods; and Commission, CAN/CSA-B339 as applicable;
2. Provided with a listed overfilling prevention device;
3. Provided with a cylinder connection device compatible with the connection for the appliance.

### **The Procedure for Checking for Gas Leaks:**

Never test for leaks with a flame. Prior to first use, at the beginning of each season, or every time your LP gas tank is changed, you must check for gas leaks. Follow these three steps:

1. Make a soap solution by mixing one part liquid detergent and one part water.
2. Make sure that the burner is off and then turn the gas on at source.
3. Apply the soap solution to all gas connections, especially to the inlet/manifold pressure tap on the gas valve after reading the pressure. Bubbles will appear in the soap solution if the gas connections are not properly sealed. If you have a gas leak, tighten gas connections, turn off the gas at the source, disconnect the fuel line from your appliance, and call 1-877-539-7436 for repair assistance.

# Pre-Assembly

## PLANNING ASSEMBLY

Read all instructions before assembly.

To avoid damaging this product, assemble it on a soft, non-abrasive surface such as carpet or cardboard.

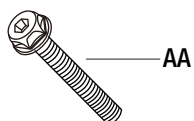


**NOTE:** More than one person may be required to assemble this product.

## HARDWARE INCLUDED



**NOTE:** Hardware not shown to actual size.



AA



BB



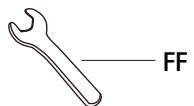
CC



DD



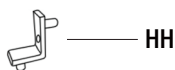
EE



FF



GG



HH

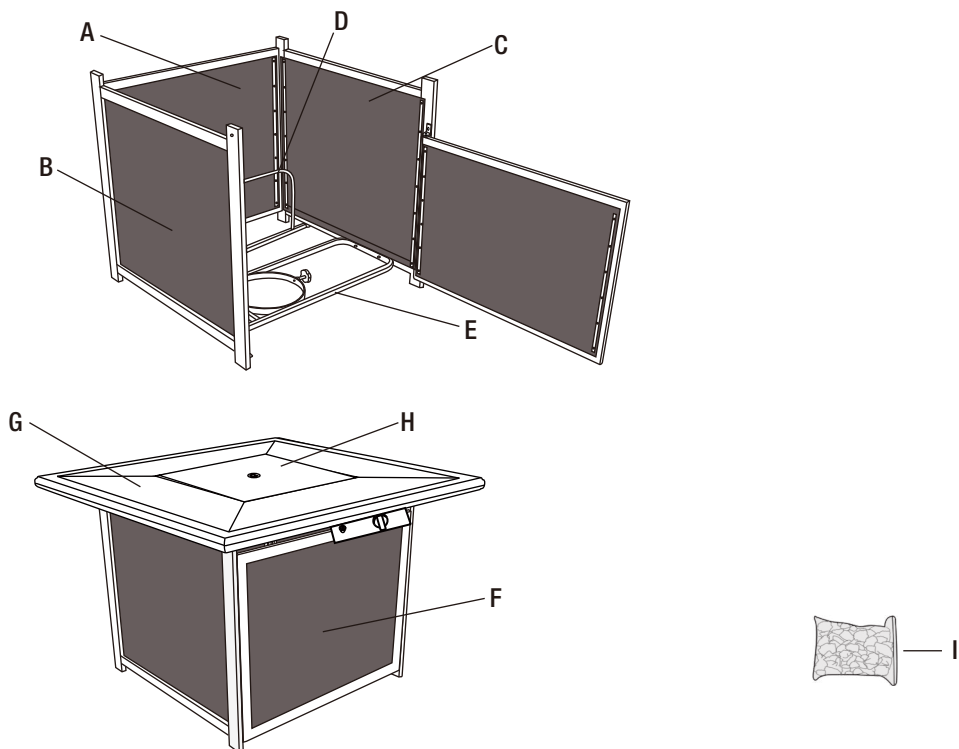


II

Part	Description	Quantity
AA	M6x40 Bolt	4+1
BB	M6x25 Bolt	4+1
CC	M6x15 Bolt	6+1
DD	ST4.8x16 SCREW	2+1
EE	4MM HEX. KEY WRENCH	1
FF	10MM HEX. KEY WRENCH	1
GG	LOWER CONNECTOR	1
HH	UPPER CONNECTOR	1
II	TOUCH-UP PAINT FOR TABLE TOP	1

# Pre-Assembly (continued)

## RIVER CROSSING 5PC CUSHION FIREPIT SET PACKAGE CONTENTS



Part	Description	Quantity
A	REAR FRAME	1
B	FRAME A	1
C	FRAME B	1
D	CROSS BRACE	1
E	BOTTOM FRAME	1
F	FRONT DOOR	1
G	BTABLE TOP	1
H	COVER	1
I	GLASS	1

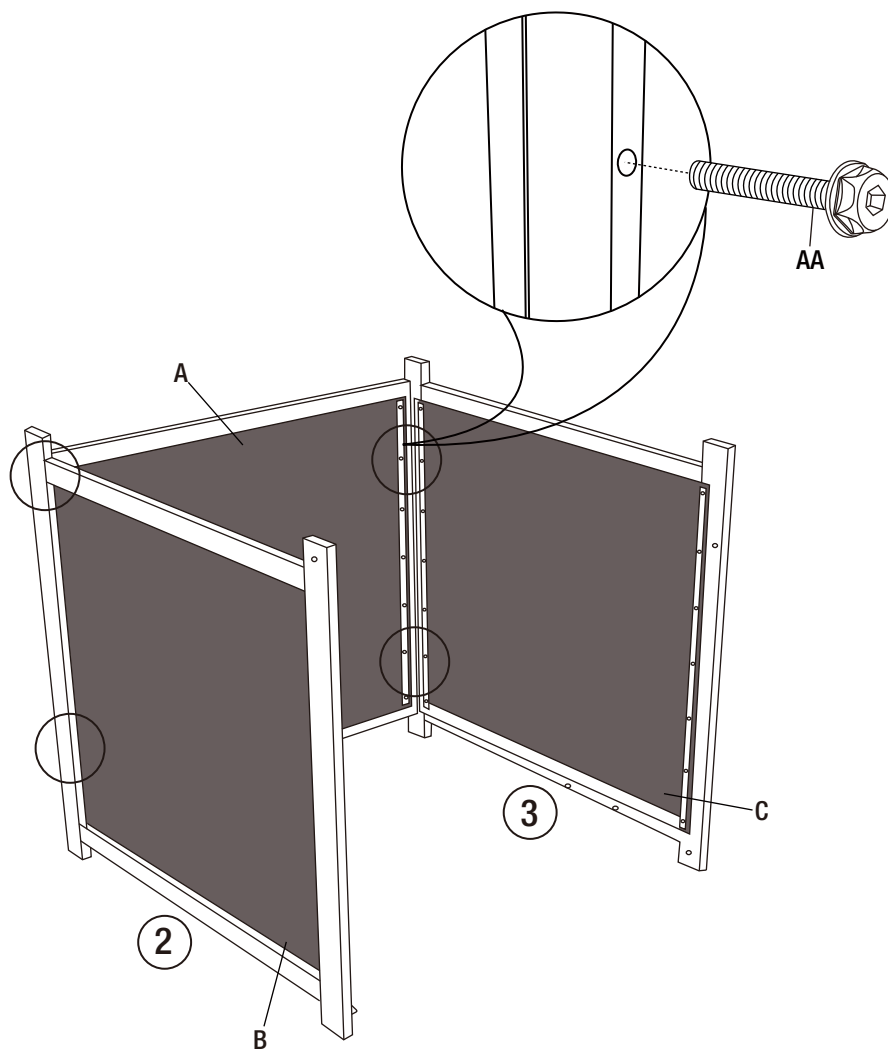
# Assembly

## 1 Connecting the frame A and the frame B to the rear frame

- Fasten the frame A (B) and the frame B (C) to the rear frame (A) by using M6x40 bolts (AA). Keep the bolts loose.



**NOTE:** Loosely tighten all the bolts using the hex wrenches (EE and FF).



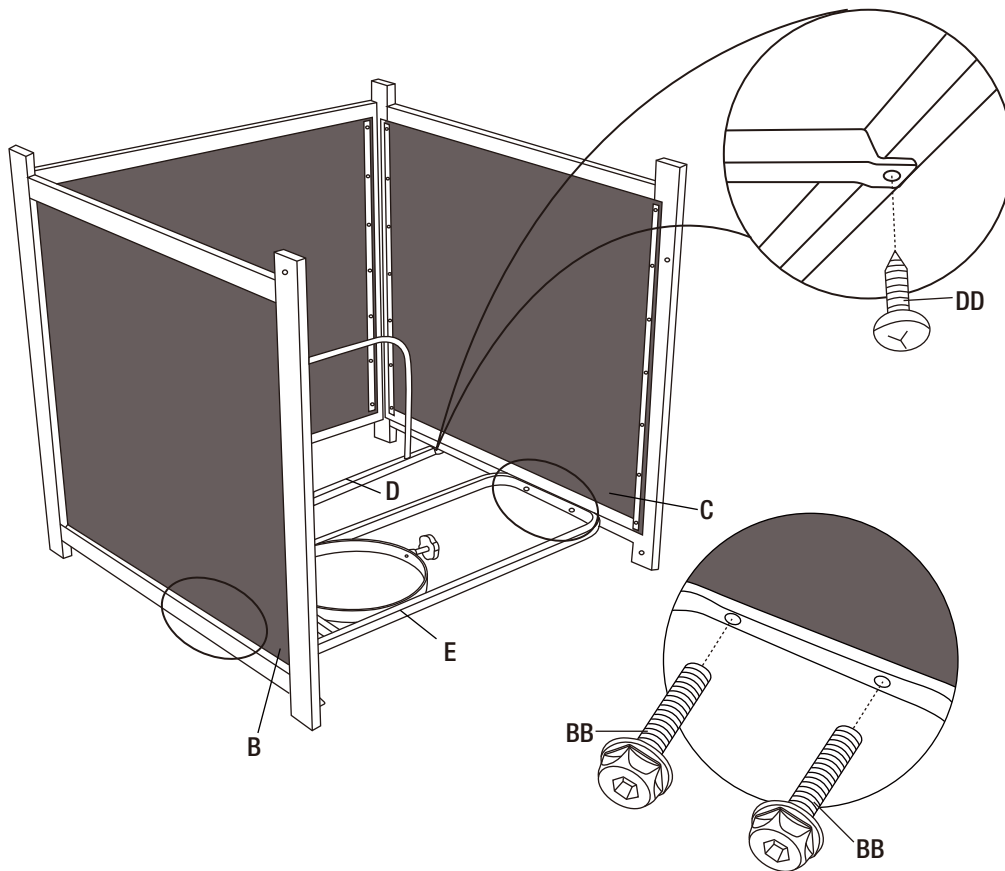
# Assembly(continued)

## 2 Connecting the bottom frame and the cross brace to frames

- Fasten the bottom frame (E) and the cross brace (D) to frames (B and C) by using M6x25 bolts (BB) and ST4.8x16 screws (DD).



**NOTE:** Loosely tighten all the bolts using the hex wrenches (EE and FF).





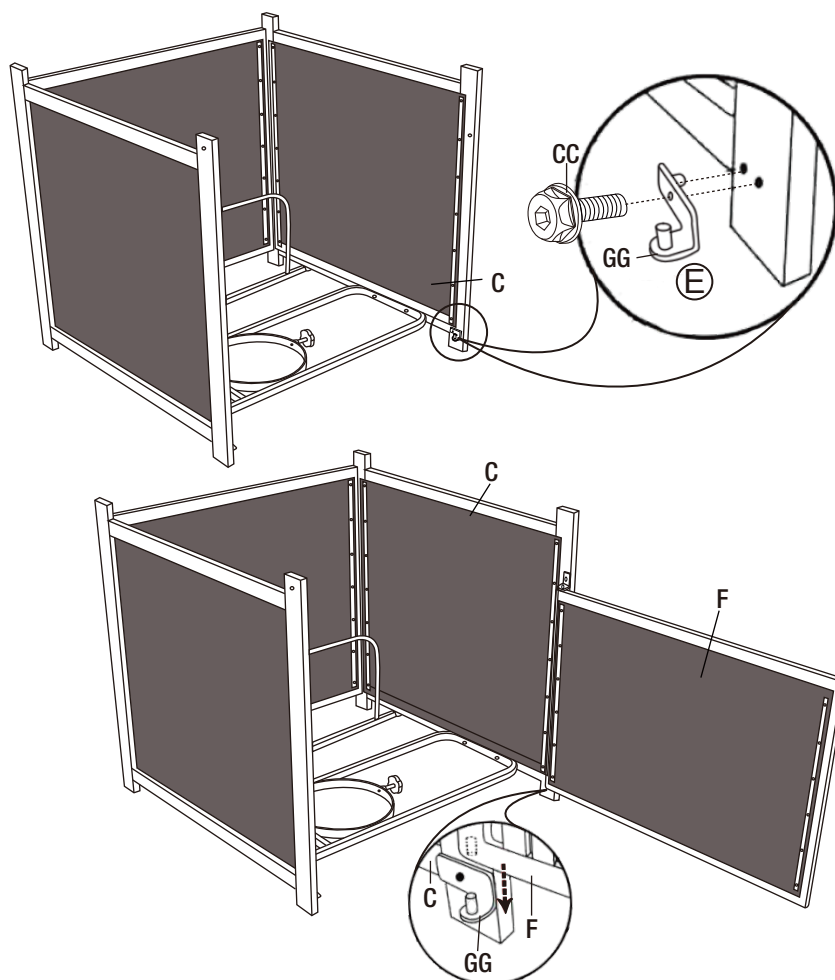
## Assembly(continued)

### 3 Connecting the lower connector to the corner of the bottom rim of the frame B

- Fasten the lower connector (GG) to the corner of the bottom rim of the frame B (C) by using M6x15 bolt (CC).
- Then, insert the front door (F) into the connector tab of the lower connector (GG).



**NOTE:** Loosely tighten all the bolts using the hex wrenches (EE and FF).



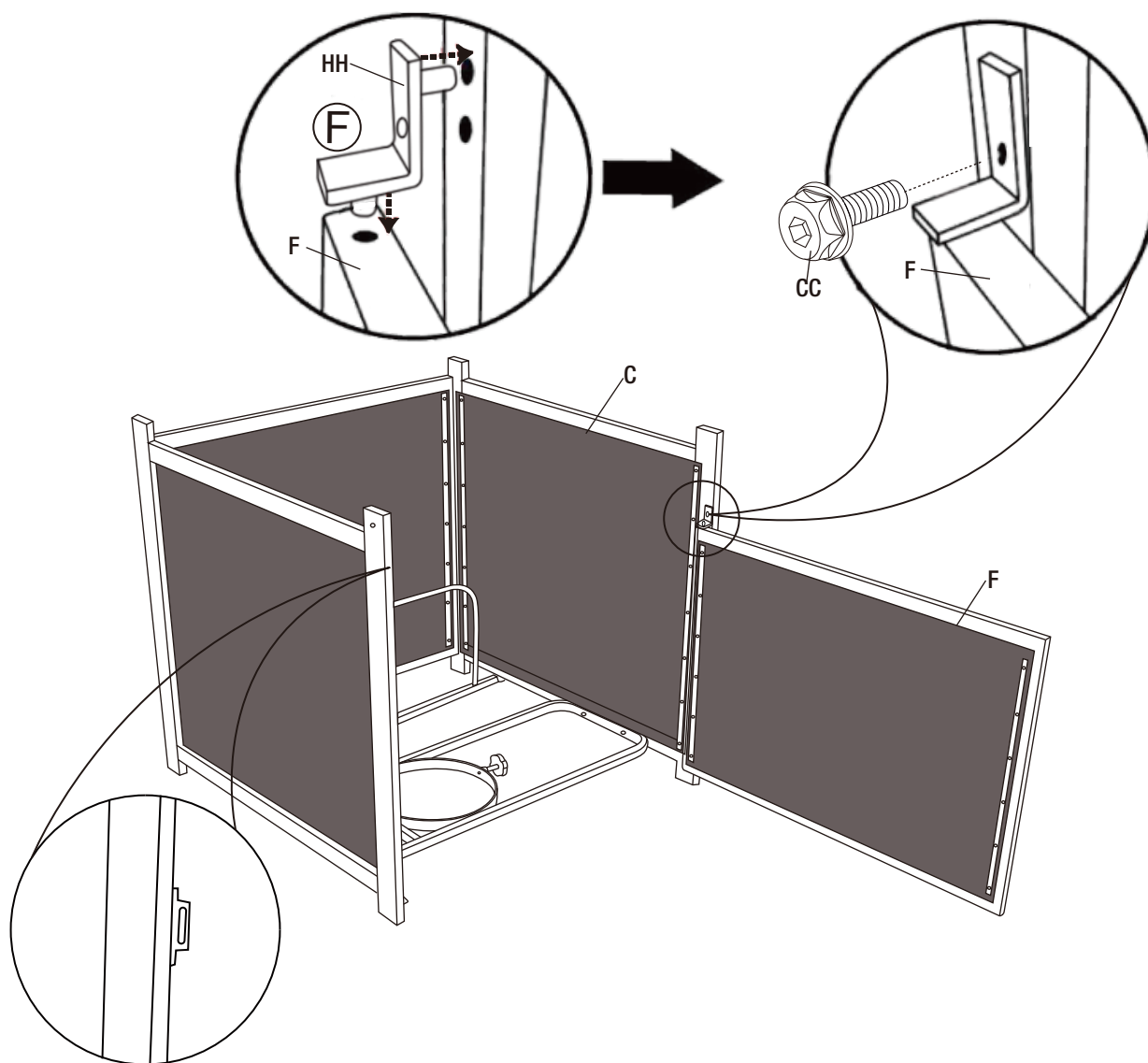
## Assembly(continued)

### 4 Connecting the upper connector into the holes in the front door

- Insert the upper connector (HH) into the holes in the front door (F).
- Fasten the upper connector (HH) to the frame B (C) by using M6x15 bolt (CC). Completely tighten all of the nuts and bolts. Close the doors.



**NOTE:** Loosely tighten all the bolts using the hex wrenches (EE and FF).



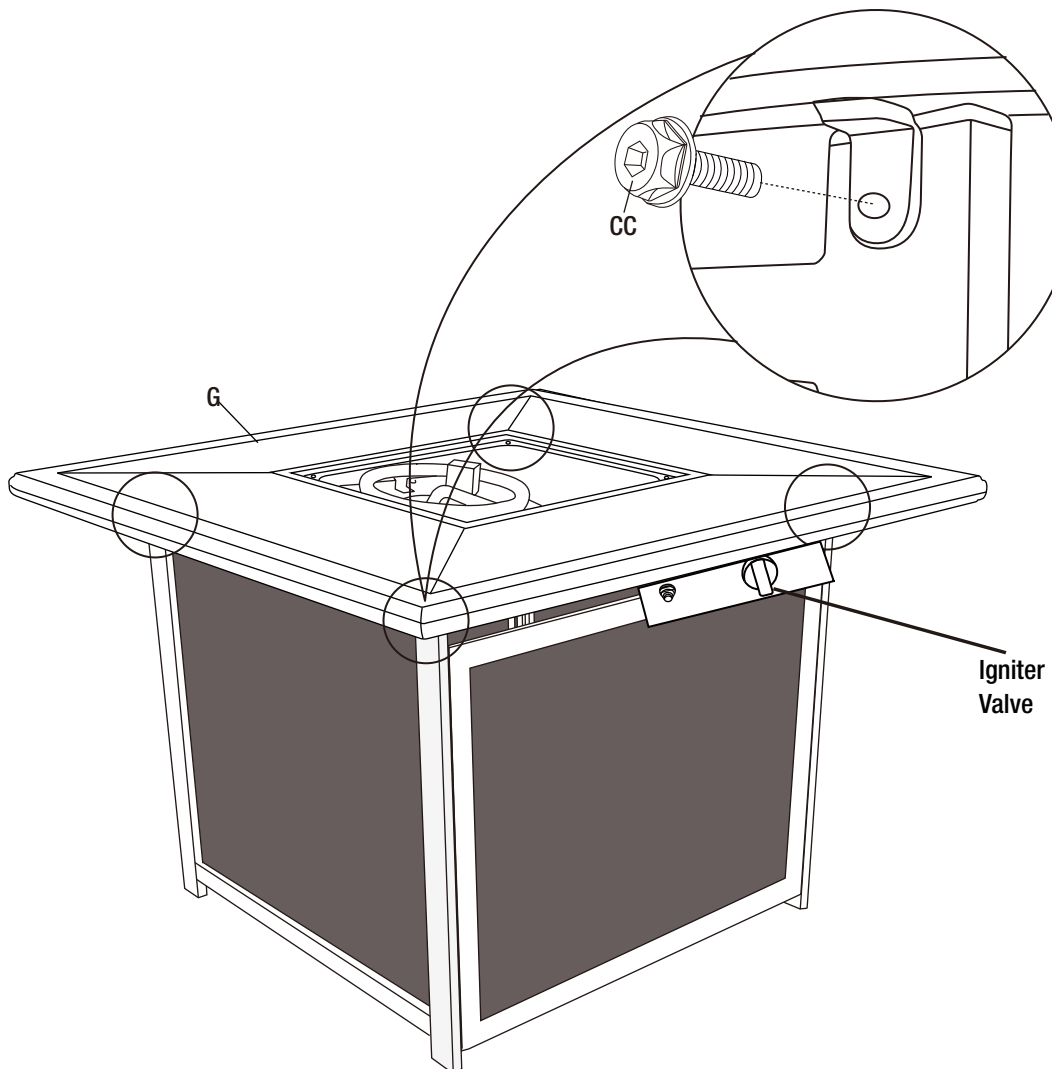
## Assembly(continued)

### 5 Connecting the table top onto the frame assembly

- Place the table top (G) onto the frame assembly.
- Fasten them together by using M6x15 bolts (CC). Make sure that all of the bolts have been tightened completely.



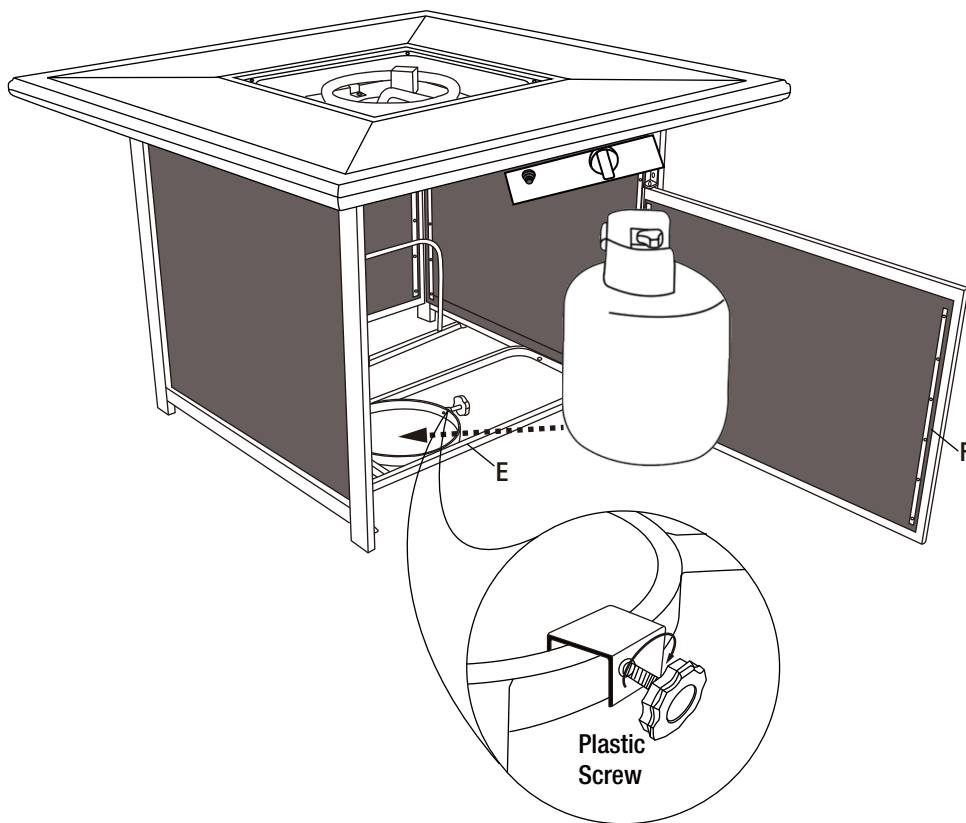
**NOTE:** Loosely tighten all the bolts using the hex wrenches (EE and FF).



## Assembly(continued)

### 6 Connecting the front door and place the tank into the bottom frame

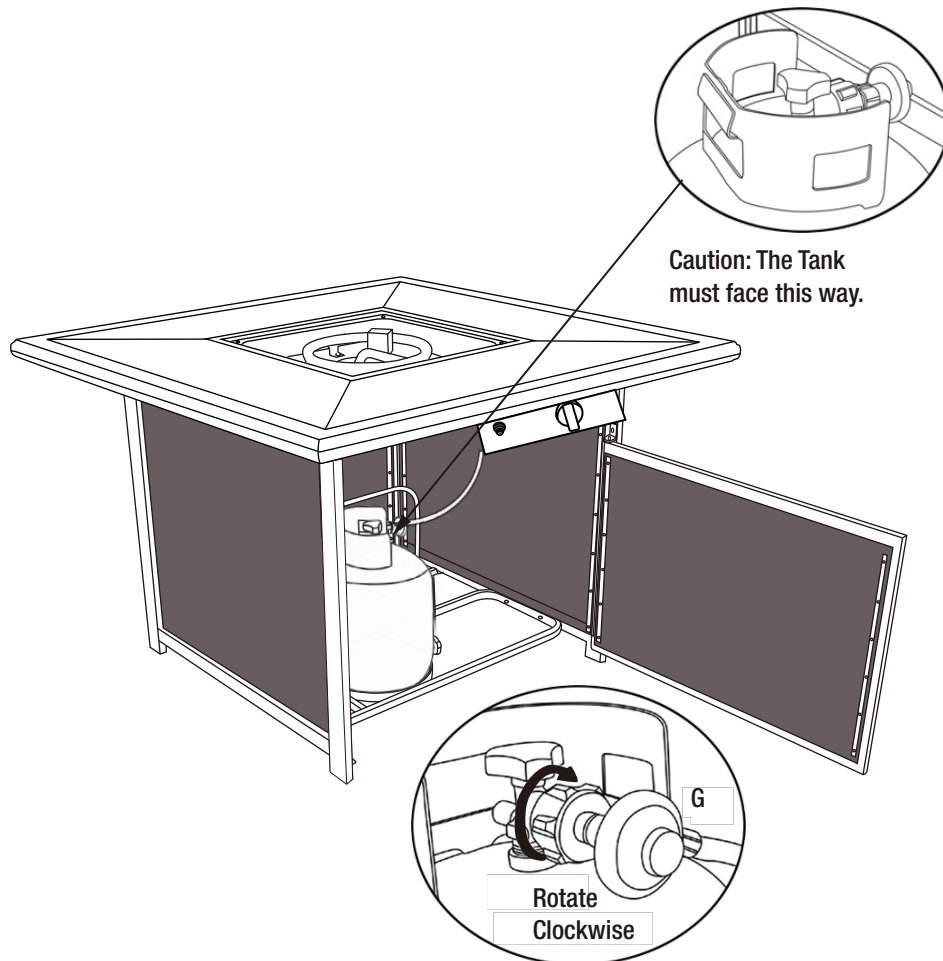
- Open the front door (F) and place the tank into the bottom frame (E). Secure in place by using the plastic screw.



## Assembly(continued)

### 7 Connecting the table top

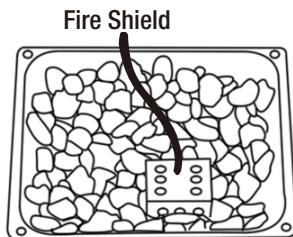
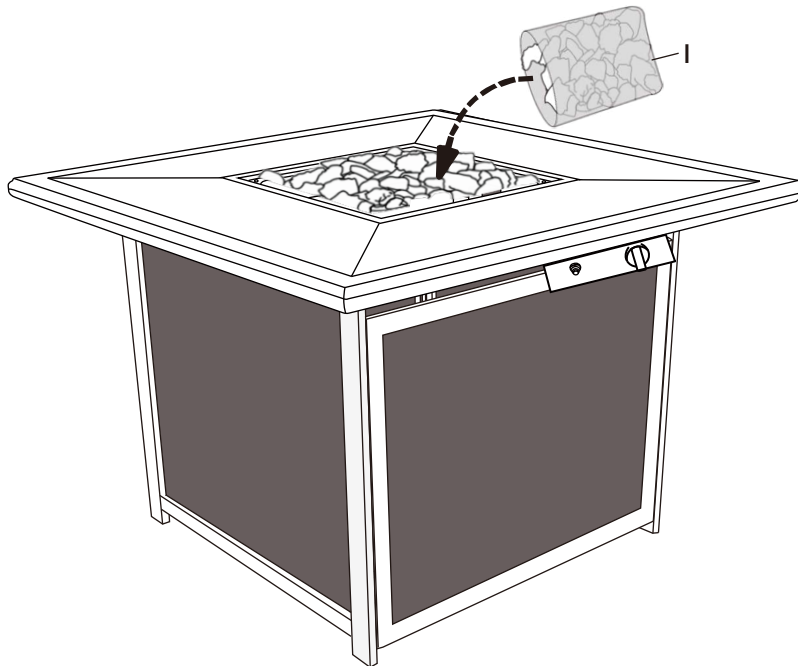
- Attach the table top (G) to the tank by rotating clockwise to its connector.



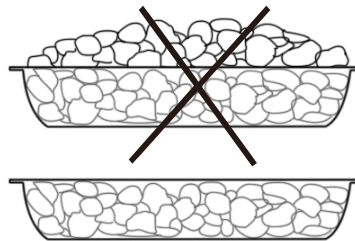
# Assembly(continued)

## 8 Connecting Place the glass

- Place the glass (I) into the steel cover.



**Note:**  
The fire shield on the burner system must be exposed.

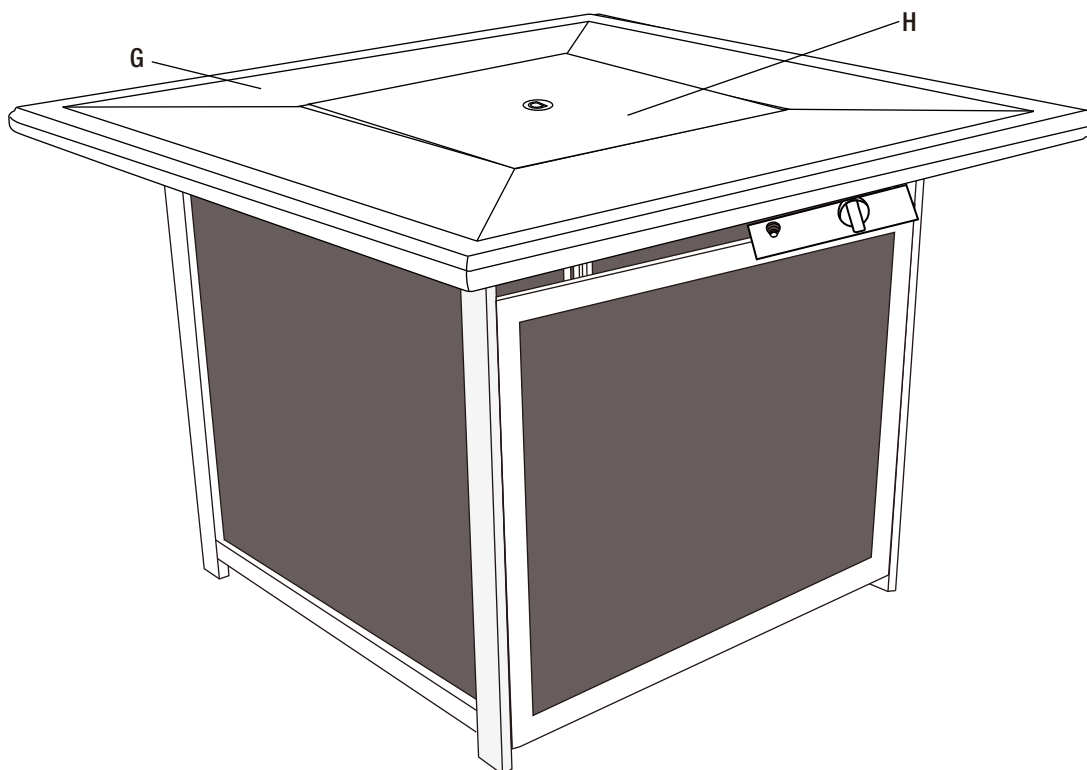


**Note:**  
The glass cannot be exposed over top of the steel cover surface.

## Assembly(continued)

### 9 Connecting Place the cover onto the table top

- Place the cover (H) onto the table top (G) to cover the glass set.
- To repair any scratches on the table top, use the touch-up paint for table top (GG) provided.



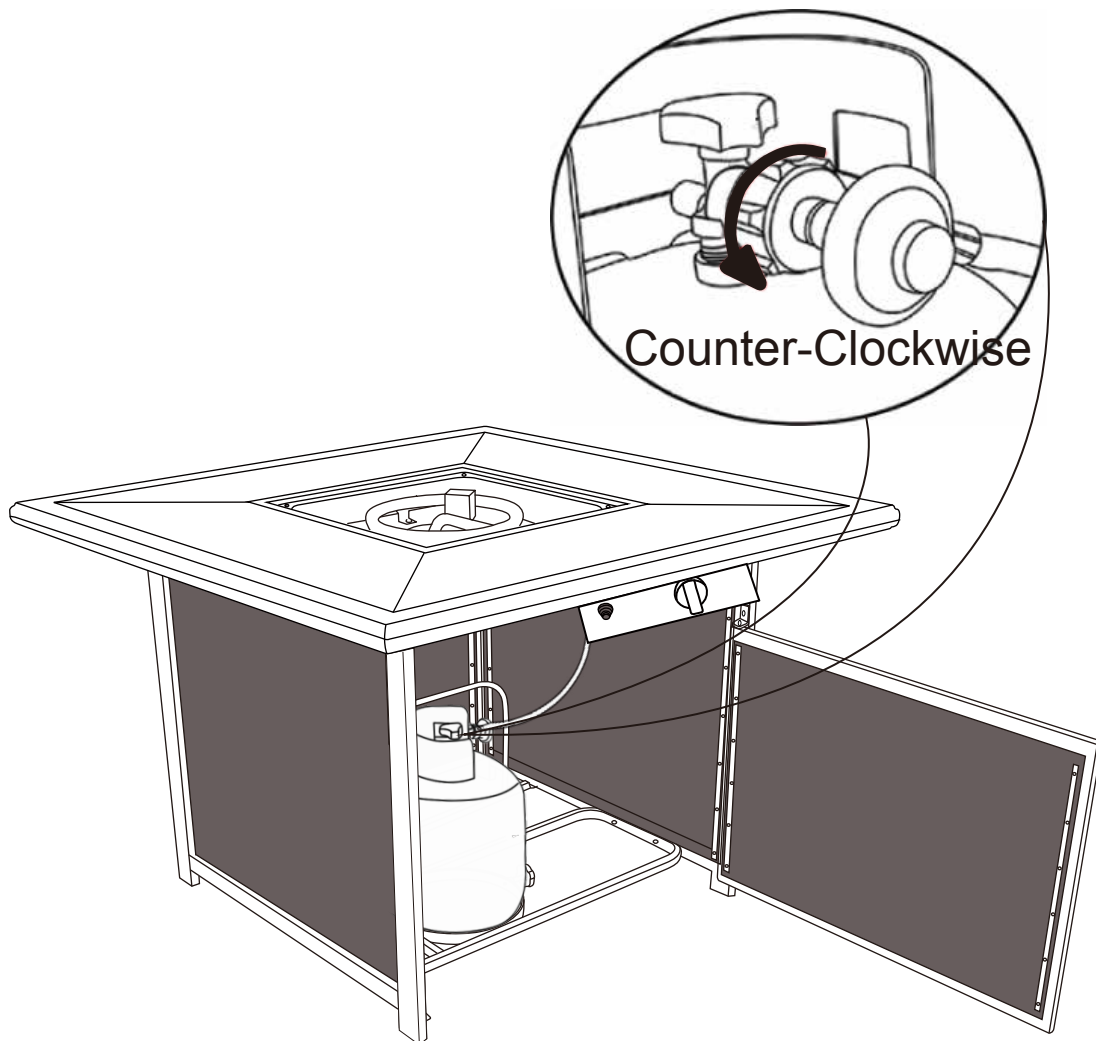
# INSTRUCTIONS FOR REMOVING THE TANK

## 1 Removing the tank from the table top connector

- To remove the fuel supply hose from the tank, rotate counter-clockwise.



**NOTE:** Close the valve tightly before removing the tank.



**FOR YOUR SAFETY:** Surfaces of fire pit can remain extremely hot for a period after use. Allow 45 minutes to cool down before touching or moving the fire pit.



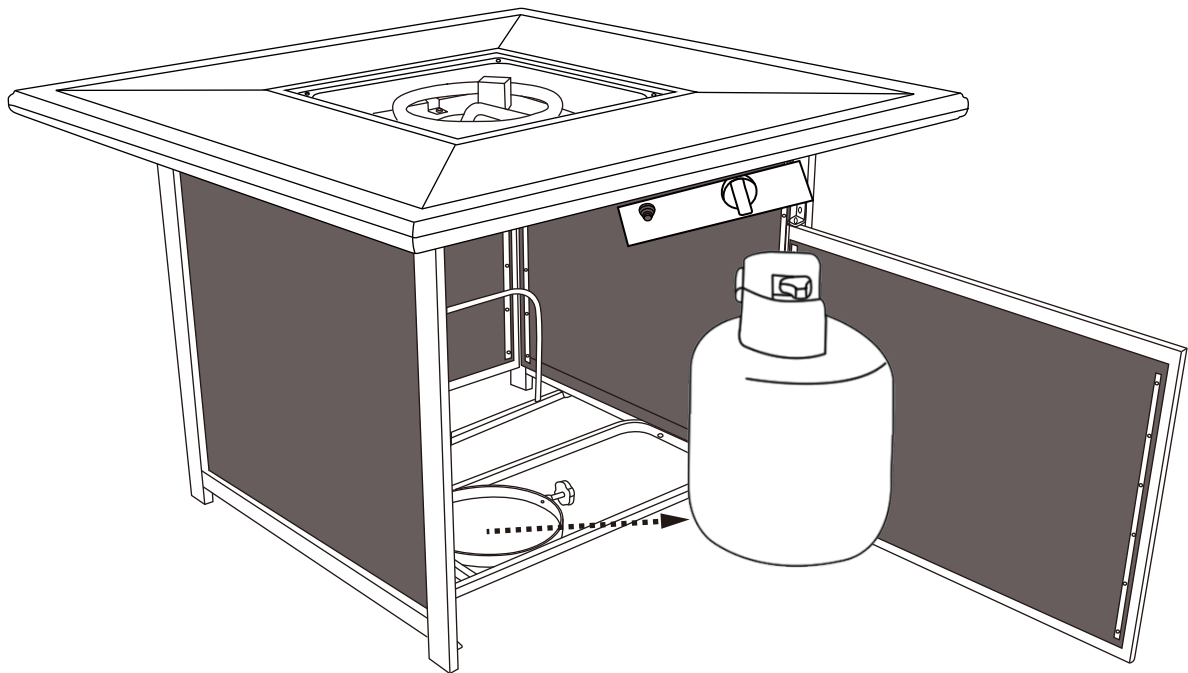
# INSTRUCTIONS FOR REMOVING THE TANK

## 2 Removing the tank from the table top connector

- Remove the tank from the tank-support assembly and through the tank fastener.

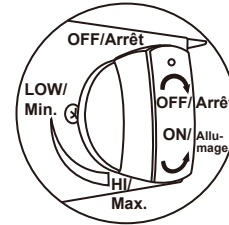
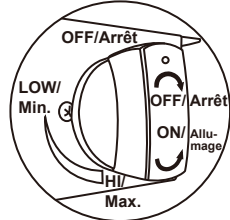
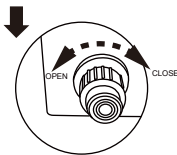
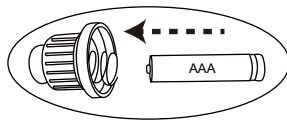


**NOTE:** To replace the tank, repeat Step 6 and Step 7 in the assembly instructions.



# OPERATION

## Switch Usage Instruction



### 1 Lighting

- Open the igniter button and install an AAA battery (not included), then secure the cap back on. Before use, make sure that the control knob is in the "OFF" position. Turn the LP cylinder gas valve to fully open position. Press down on the control knob and turn counter clockwise to the "LOW" position. Push in the gas control knob all the way and hold. Continue to press the ignition button for 15 seconds.

### 2 Adjusting and Shutting Down

- If the burner is not lit, press down the control knob and turn clockwise to the "OFF" position. Repeat step 1 after 5 minutes. When the burner is lit, press down the control knob and turn it to the desired heat output position between "LOW" and "HIGH". Press down and turn the control knob clockwise to the "OFF" position to shut down the appliance. Turn off the cylinder gas valve.



**NOTE:** To extinguish the flame, push the control knob in and rotate clockwise.

#### TYPES OF GAS

Min. Gas supply for input Adj.  
Maximum Inlet Pressure  
Manifold Pressure  
Gas Rating

#### PROPANE GAS

25 psi  
250 psi  
11 in.w.c  
46,000 Btu/hr



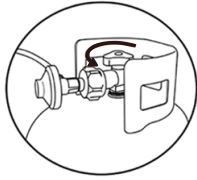
#### Caution

The gas pressure regulator provided with this appliance must be used. This regulator is set for an outlet pressure of 11 inches water column.

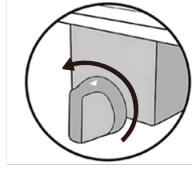
## Care and Maintenance

- Do not use aerosol polish or any other flammable material to clean the burner while it is in use.
- Inspect and clean the burner regularly. Use a wire-bristle brush to clean the burner surface. A straightened paper clip is useful to remove debris or rust from the small burner ports.
- Wash frame parts with mild soap and water, rinse thoroughly, and dry completely. Do not use bleach, acid, or any other solvents on the frame parts.
- Inspect and tighten all of the bolts and fasteners on a regular basis to ensure the proper performance and safety of your appliance.
- When not in use, we recommend that it be stored in a dry and secure area. Always disconnect the LP gas tank first and store it safely outside.
- The minimum clearance from the sides, rear, and top of unit to adjacent combustible construction: 2' (61 cm) from the sides, 2' (61 cm) from the rear, and 5' (152.5 cm) from the top.
- Improper lighting operations will cause serious injury and explosion.

## Read the following switch usage instructions for lighting and to extinguish:



Step 3

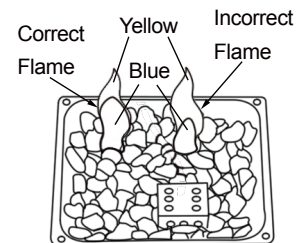


Step 4

### Instructions for lighting and shutting down the appliance:

1. Read instructions before lighting.
2. Press down the control knob to "LOW", at the same time push in the ignition button and keep the button depressing for 15 seconds.
3. If the burner is not lit in 5 seconds, press down the control knob and turn clockwise to the "OFF" position. Repeat from step 2 after 5 minutes.
4. Adjust flame to desired height with the control knob.

Use of your appliance causes carbon residue to build up on the lava rocks inhibiting the airflow and leading to a more yellow flame. Stir up the lava rocks regularly to remove these deposits and maintain a blue flame.



### WARNING

**Very hot while in operation!** Never lean over the appliance while it is in use. Do not touch the stone, glass screen or the spark guard while the appliance is in operation. Wait until the appliance has cooled down after use. **Failure to comply with these instructions may result in serious bodily injury.**

## Care and Cleaning

- For best results, clean the set with a damp cloth and dry thoroughly. This will help prevent mildew by removing dirt particles that may accumulate.
- Do not clean with abrasive materials, bleach, or solvents.
- Store the set in a dry, sheltered place when not in use.
- Keep the set away from fire, extreme heat, freezing conditions, and inclement weather such as rain, hail, sleet, snow, or wind.
- You must make periodic checks to ensure that all connections are secured.



Questions, problems, missing parts? Before returning to the store,  
call Hampton Bay Customer Service.  
8 a.m. - 7 p.m., EST, Monday - Friday, 9 a.m. - 6 p.m., EST, Saturday

**1-855-HD-HAMPTON**

**HAMPTONBAY.COM**

Retain this manual for future use.

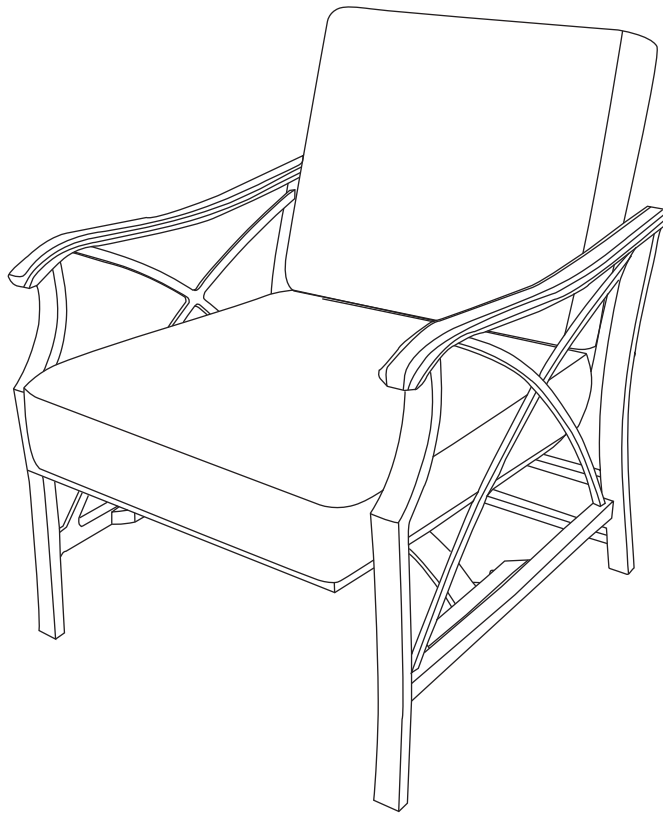


Item #:1003368603  
Model #:RTA888T

## USE AND CARE GUIDE

---

### River Crossing 5pc Cushion Firepit Set Chair



Questions, problems, missing parts? Before returning to the store,  
call Hampton Bay Customer Service.  
8 a.m. - 7 p.m., EST, Monday - Friday, 9 a.m. - 6 p.m., EST, Saturday

**1-855-HD-HAMPTON**

**HAMPTONBAY.COM**

---

#### **THANK YOU**

*We appreciate the trust and confidence you have placed in Hampton Bay through the purchase of this dining set. We strive to continually create quality products designed to enhance your home. Visit us online to see our full line of products available for your home improvement needs. Thank you for choosing Hampton Bay!*

# Table of Contents

Table of Contents.....	2	Chair Assembly.....	5
Safety Information .....	2	Care and Cleaning.....	9
Product Caution .....	2		
Safety Warnings .....	2		
Warranty .....	2		
What is Covered .....	2		
What is Not Covered .....	2		
Pre-Assembly .....	3		
Planning Assembly .....	3		
Hardware Included .....	3		
Chair Package Contents.....	4		

# Safety Information


## PRODUCT CAUTION


This set was made for the explicit purpose of providing outdoor functions and is not to be used as a toy. This product is intended for normal outdoor use; however, the manufacturer recommends storing and / or covering this set when any formidable / severe weather is approaching. Do not locate this product near open flames. Do not use this product as a support. Do not shake, lean or climb on the product. Children under the age of 10, near the product, should be supervised by a competent adult at all times.

## READ ALL INSTRUCTIONS BEFORE USE


To reduce the risk of injury to persons:

1. Close supervision is necessary when this furnishing is used by or near children, or disabled persons, if applicable.
2. Use this furnishing only for its intended use as described in these instructions. Do not use attachments not recommended by the manufacturer.

 **WARNING:** Weight limit for the chairs is 250 lb (113.39 kg) for each seat.

 **WARNING:** Please keep children out of the assembly area before assembly.

 **WARNING:** Do not place heavy objects on the chair.

 **CAUTION:** When not in use, secure the product in a cool and covered location.

# Warranty

## 3 YEAR FRAME AND 3 YEAR FABRIC LIMITED WARRANTY

### WHAT IS COVERED

We warrant the frames to be free of manufacturing defects to the original purchaser for 3 year.

### WHAT IS NOT COVERED

It remains the customer's responsibility for freight and packaging charges to and from our service center. This warranty does not cover commercial use, hardware, acts of nature, fire, freezing and abusive use. In addition, purchased parts are not covered under this warranty. We reserve the right to make substitutions with similar merchandise, if the model in question is no longer in production.

Contact the Customer Service Team at 1-855-HD-HAMPTON or visit [www.homedepot.com](http://www.homedepot.com)

# Pre-Assembly

## PLANNING ASSEMBLY

Read all instructions before assembly.

To avoid damaging this product, assemble it on a soft, non-abrasive surface such as carpet or cardboard.

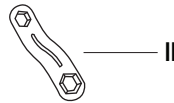
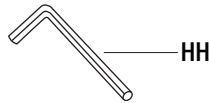
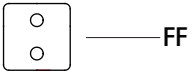
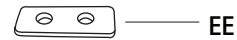
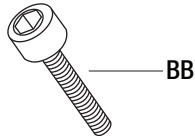
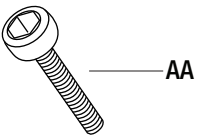


**NOTE:** More than one person may be required to assemble this product.

## HARDWARE INCLUDED



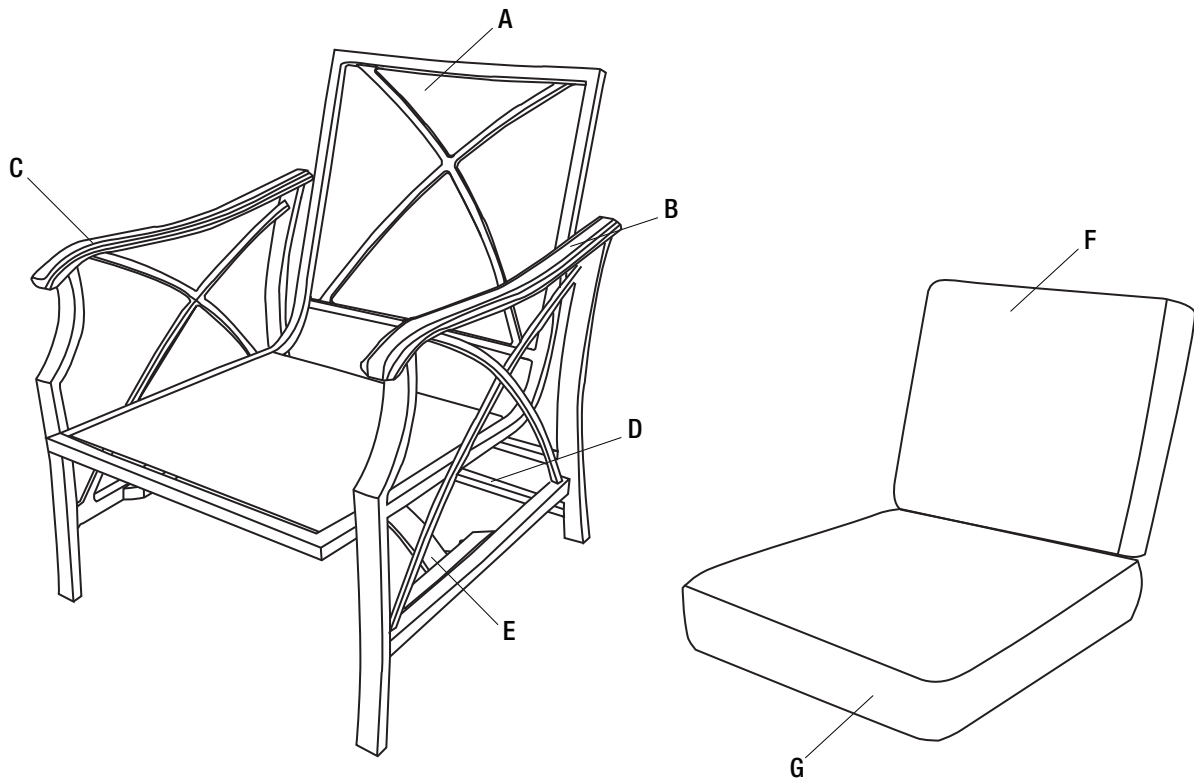
**NOTE:** Hardware not shown to actual size.



Part	Description	Quantity
AA	M6x35 BOLT	4+1
BB	M8x40 BOLT	8+1
CC	d6.5xD13x1.0 WASHER	4+1
DD	d8.5xD17x1.6 WASHER	12+1
EE	50x24x4 WASHER	2
FF	50x50x4 WASHER	2
GG	M8x1.25 JAM NUT	4+1
HH	6 mm ALLEN KEY WRENCH	1
II	10 & 13 mm ALLEN KEY WRENCH	1

# Pre-Assembly (continued)

## CHAIR PACKAGE CONTENTS



Part	Description	Quantity
A	Back Assembly	1
B	Left Leg	1
C	Right Leg	1
D	Support	1
E	Seat post	1
F	Back Cushion	1
G	Seat Cushion	1



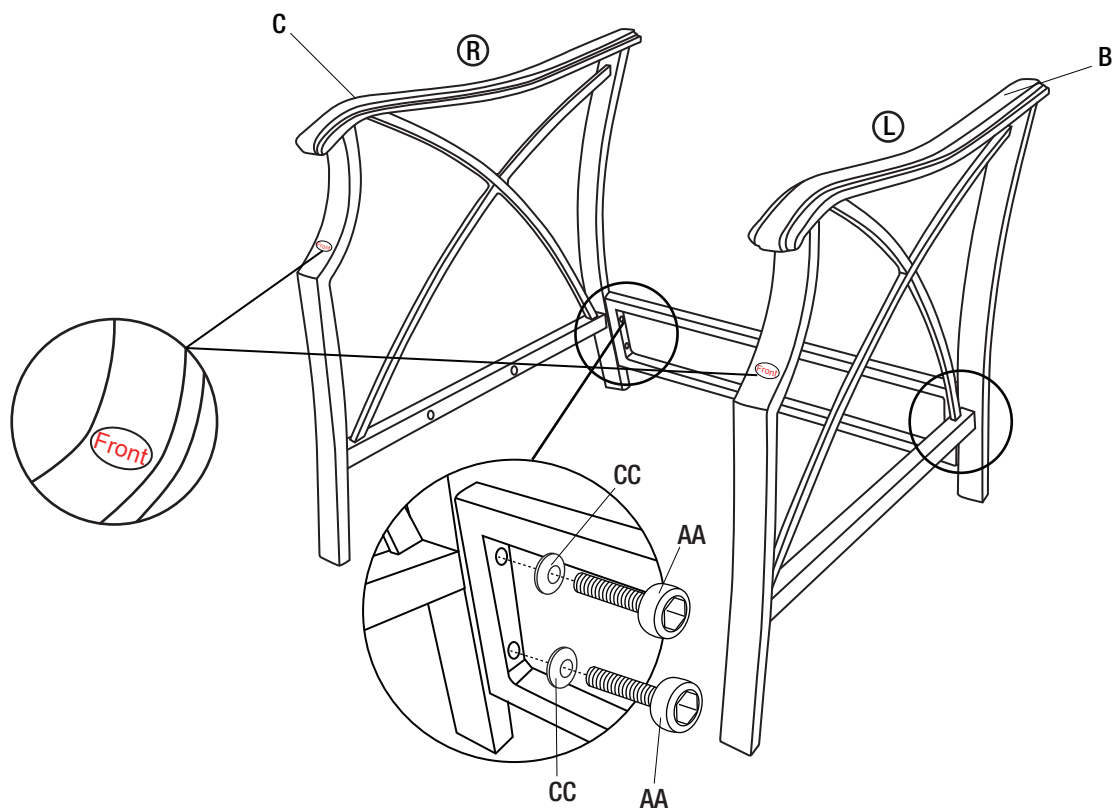
# Chair Assembly

## 1 Connecting the chair support to the chair leg

- Fasten the support (D) to the legs (B and C) by using M6x35 bolts (AA) and d6.5xD13x1.0 washers (CC).



**NOTE:** 1 ) Loosely tighten all of the bolts using the hex wrench (HH).  
2 ) The labels marked "L" , "R" and "Front" on the chair legs ( B and C ) should coincide with step 1 to ensure proper assembly.



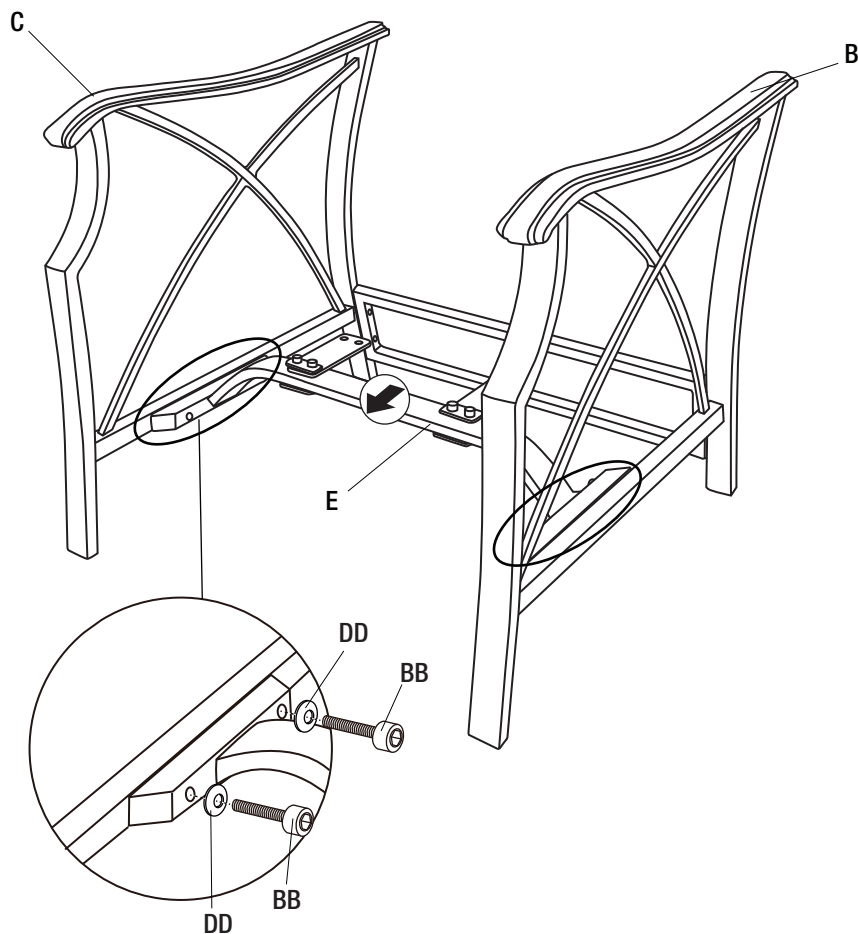
# Chair Assembly (continued)

## 2 Connecting the chair seat post to the chair leg

- Fasten the seat post (E) to the legs (B and C) by using M8x40 bolts (BB) and d8.5xD17x1.6 washers (DD).



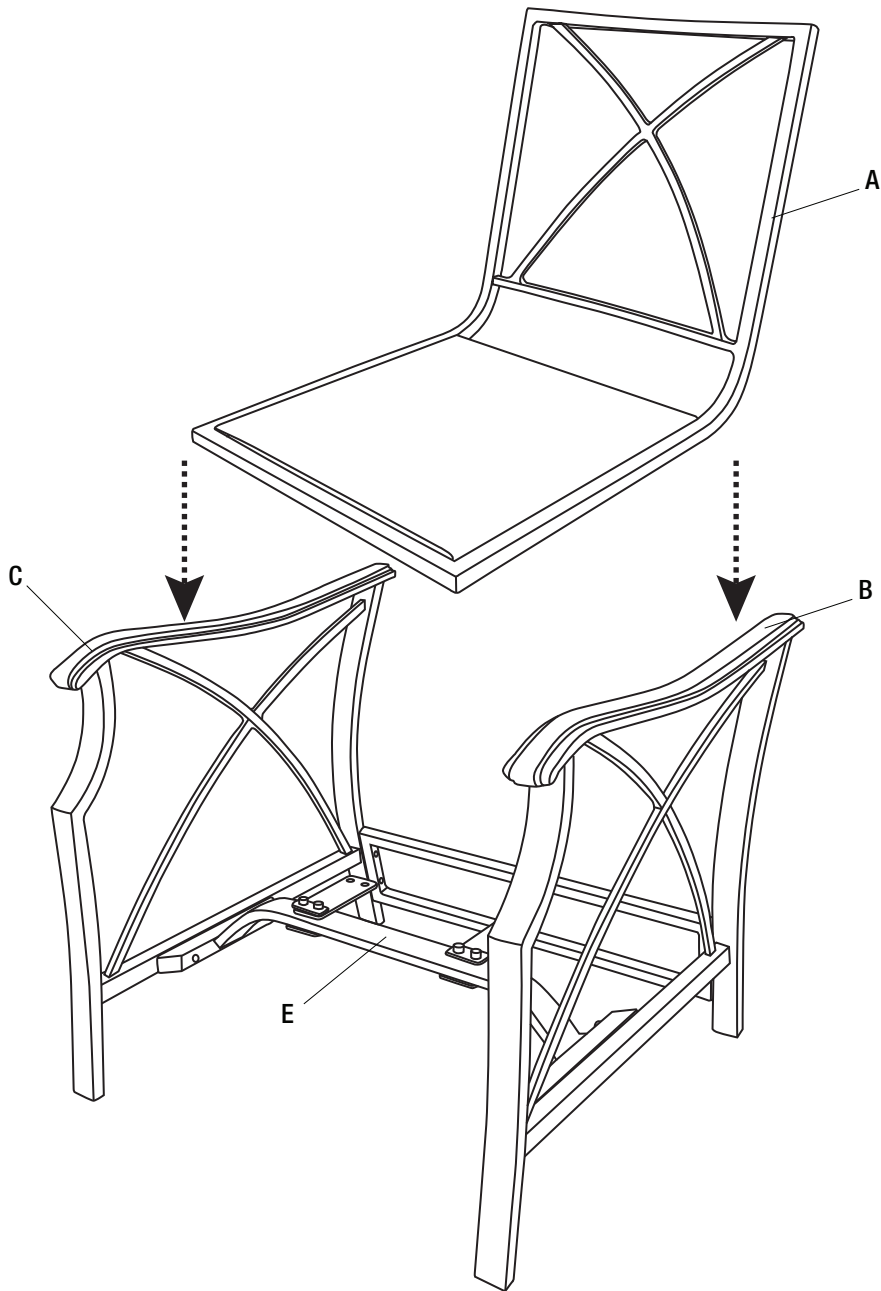
**NOTE:** 1 ) Loosely tighten all of the bolts using the hex wrench (HH).  
2 ) The arrow mark on the seat post ( E ) must coincide with step2 to ensure proper assembly.



## Chair Assembly (continued)

### 3 Placing the chair back assembly onto the chair seat post

- Position the back assembly (A) onto the seat post (E).



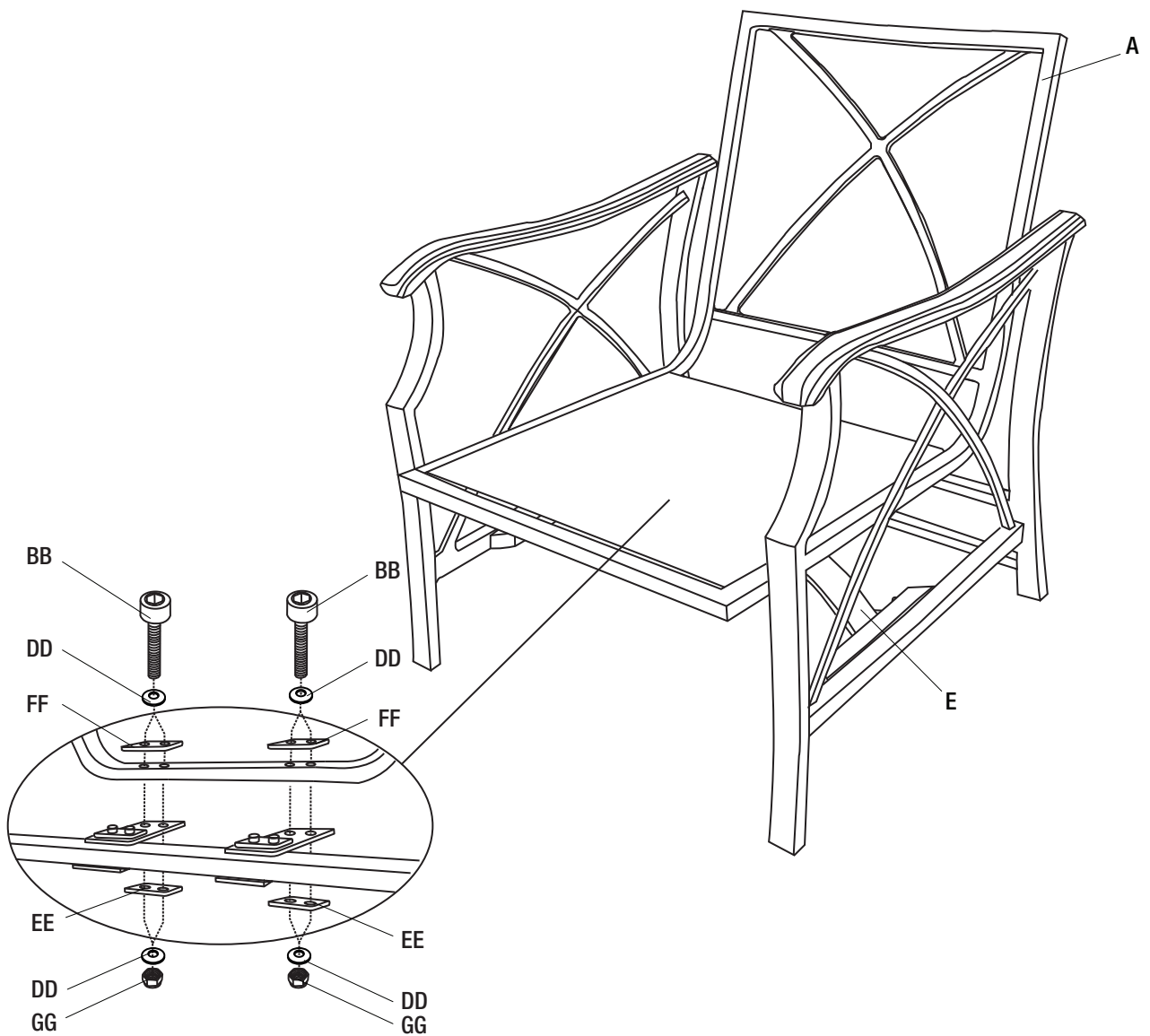
# Chair Assembly (continued)

## 4 Connecting the chair back assembly to the chair seat post

- Fasten the back assembly (A) to the seat post (D) by using M8x40 bolts (BB), d8.5xD17x1.6 washers (DD), 50x24x4 washer (EE), 50x50x4 washer (FF) and M8x1.25 jam nuts (GG).



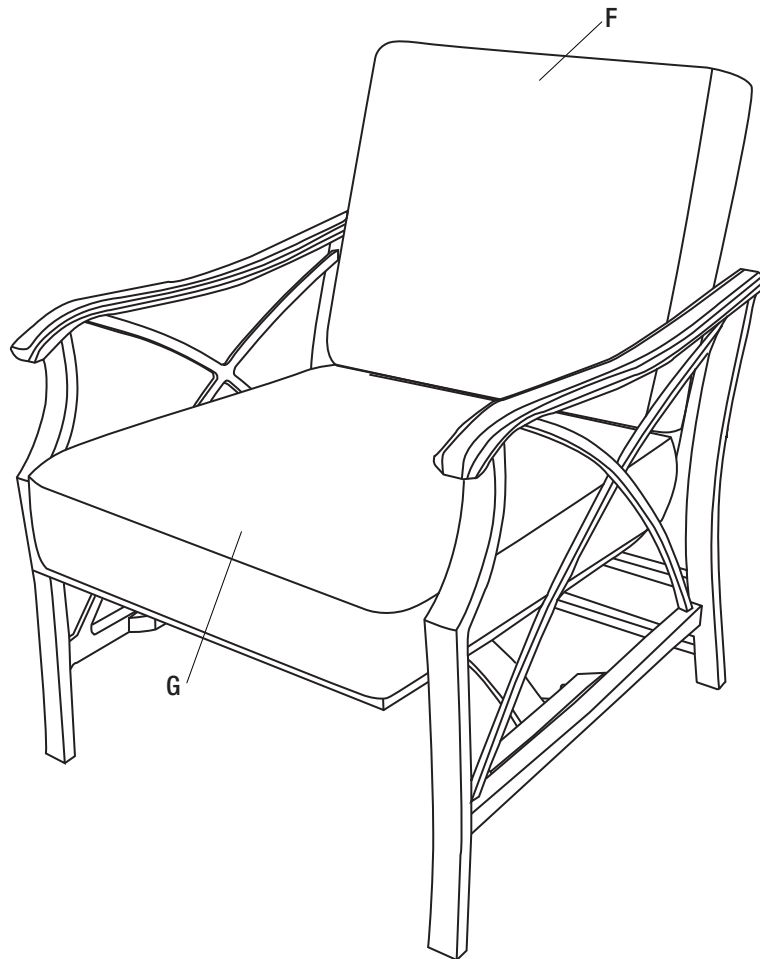
**NOTE:** Loosely tighten all of the bolts using hex wrenches (HH and II).



## Chair Assembly (continued)

### 5 Tightening the bolts

- Place cushions (F and G) onto the chair.
- Once all of the bolts are in place, fully tighten the bolts.
- Ensure all connections are secure before use.



## Care and Cleaning

- For best results, clean the set with a damp cloth and dry thoroughly. This will help prevent mildew by removing dirt particles that may accumulate.
- Do not clean with abrasive materials, bleach, or solvents.
- Store the set in a dry, sheltered place when not in use.
- Keep the set away from fire, extreme heat, freezing conditions, and inclement weather such as rain, hail, sleet, snow, or wind.



Questions, problems, missing parts? Before returning to the store,  
call Hampton Bay Customer Service.  
8 a.m. - 7 p.m., EST, Monday - Friday, 9 a.m. - 6 p.m., EST, Saturday

**1-855-HD-HAMPTON**

**HAMPTONBAY.COM**

Retain this manual for future use.