

NX60A6511SS

SAMSUNG

Samsung Smart Freestanding Gas Range with No Pre-heat Air Fry & Convection

6.0 cu. ft. Capacity



Signature Features

Air Fry

- A healthier way to prepare your favorite fried foods right in your oven with little to no oil.*

*As compared to deep frying. Air fry tray sold separately.

Convection

- Powerful convection saves you time by cooking food fast and more evenly.

Large Oven Capacity

- This large 6.0 cu. ft. oven can fit multiple dishes at one time.

Available Colors



Fingerprint Resistant
Stainless Steel (shown)



Fingerprint Resistant
Black Stainless Steel



Black



White



Air Fry tray sold separately.

Air Fry



Convection

Features

- Air Fry – Tray Not Included
- Convection
- Large Oven Capacity – 6.0 cu. ft.
- Extra Oven Settings - Bread Proof, Dehydrate, Favorite Cook, Keep Warm
- Removable Non-Stick Griddle
- Edge-to-Edge Grates
- Storage Drawer
- Flexible Cooktop:

Five Burner Cooktop
- Right Front: 18K BTU Dual Ring
- Left Front: 17K BTU
- Right Rear: 5K BTU
- Left Rear: 9.5K BTU
- Center (Oval): 10K BTU

Convenience

- Wi-Fi Connectivity
- Voice-Enabled
- SmartThings Cooking
- Convection Auto Conversion
- Self Clean
- Sabbath Mode
- Child Safety Lock
- Delay Start
- Auto Oven Light
- Kitchen Timer



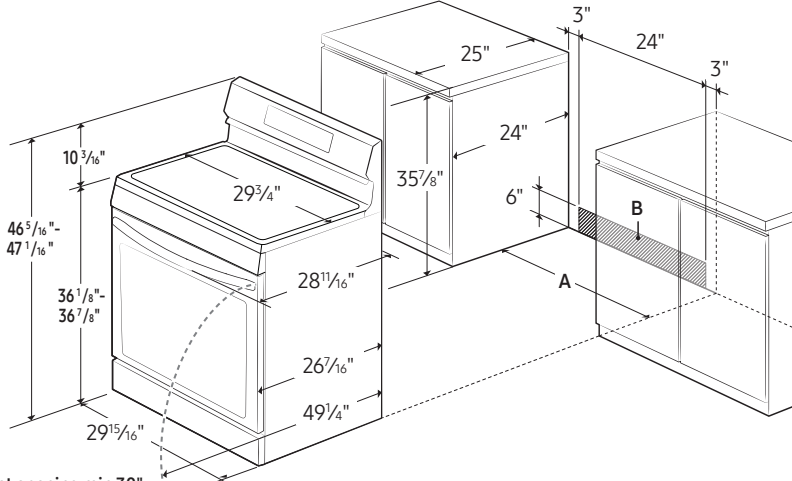
NX60A6511SS

SAMSUNG

Samsung Smart Freestanding Gas Range with No Pre-heat Air Fry & Convection

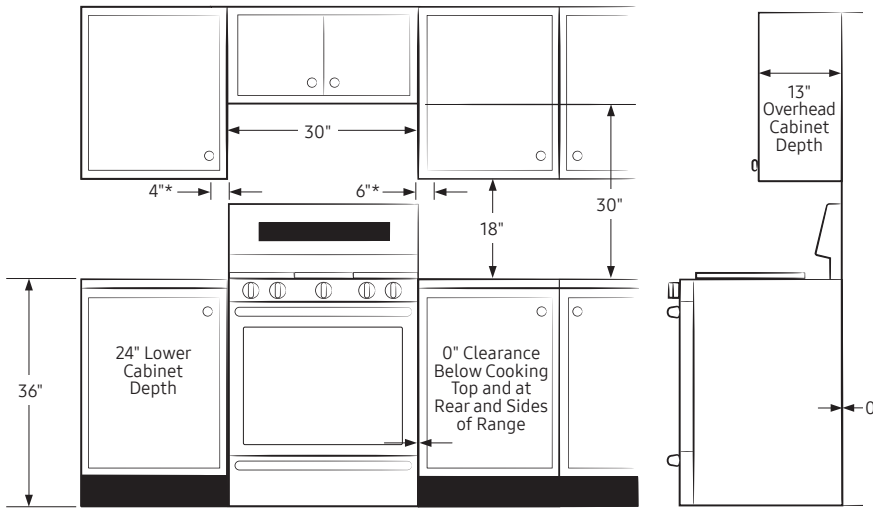
6.0 cu. ft. Capacity

Installing Your Range



A: Cabinet opening min 30"
B: Acceptable electrical outlet area

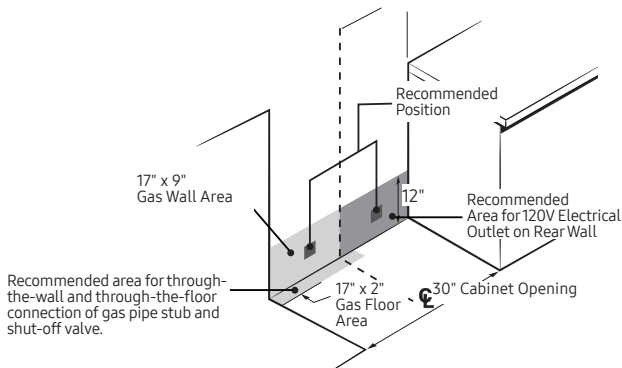
IMPORTANT: If your cabinets are over 36 3/4" high, you must install this range on a hard, heat-resistant support that raises the surface of the range so that it is about even with the countertop.



* Side clearance above cooking surface to any objects, i.e., wall.

IMPORTANT: Consult with Installation Manual for detailed instructions before installing. All ranges must be installed with the Anti-Tip device that is included.

Recommended Locations for Gas Piping and Electrical Outlets



Power Source

120V/60 Hz/20A

Total Power (BTU)

59,500 BTU

5-Burner Cooktop

- Right Front: 18K BTU, Dual Ring
- Left Front: 17K BTU
- Right Rear: 5K BTU
- Left Rear: 9.5K BTU
- Center (Oval): 10K BTU

Oven

- Capacity: 6.0 cu. ft.
- Convection Bake
- Convection Roast
- Bake
- Variable Broil: Low/High
- Air Fry
- Bread Proof
- Dehydrate

Warranty

One (1) Year Parts and Labor

Product Dimensions & Weight (WxHxD)

Oven Interior Dimensions:

24¹³/₁₆" x 21⁵/₈" x 19⁵/₈"

Outside Net Dimensions:

29¹⁵/₁₆" x 46⁵/₁₆"-47¹/₁₆" (Adjustable) x 28¹¹/₁₆"

Weight: 185 lbs

Shipping Dimensions & Weight (WxHxD)

Dimensions:

33¹/₁₆" x 50⁹/₁₆" x 30⁵/₁₆"

Weight: 209 lbs

Color

Fingerprint Resistant

Stainless Steel

Fingerprint Resistant

Black Stainless Steel

Black

White

Model

NX60A6511SS

NX60A6511SG

NX60A6511SB

NX60A6511SW

UPC Code

887276509587

887276509570

887276509563

887276509594



Actual color may vary. Design, specifications, and color availability are subject to change without notice. Non-metric weights and measurements are approximate.

©2021 Samsung Electronics America, Inc. 85 Challenger Road, Ridgefield Park, NJ 07660. Tel: 800-SAMSUNG. samsung.com. Samsung is a registered trademark of Samsung Electronics Co. Ltd.