

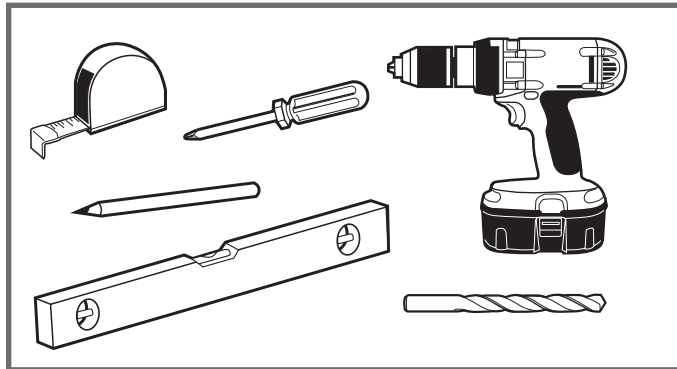
# New Visions Glass Barn Door & Track Installation

Please read ALL instructions before you begin installation.

You MUST determine if you need a Mounting Board prior to doing ANY installation. Due to many overlapping factors such as the location of wall studs, the weight of a Barn door and the various types of trim used in homes, we recommend using a Mounting Board in all situations. Track must be installed into Solid Blocking or Head Casing.

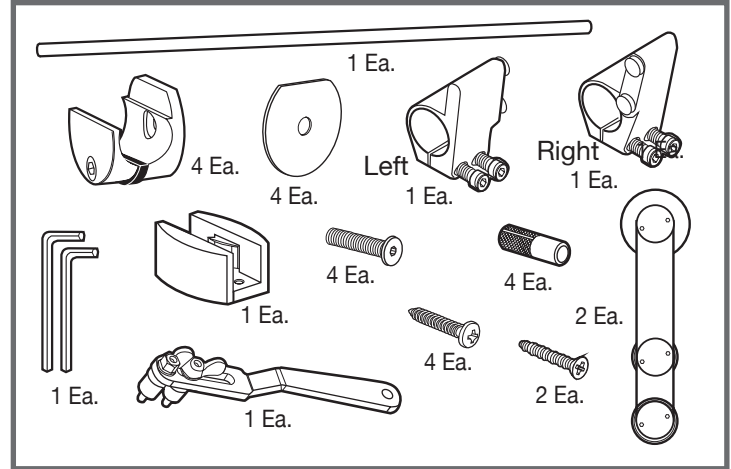
## Tools Needed

You will need a Pencil, Phillips head screwdriver, Tape measure, Drill, Assorted Drill bits (5/16"), 4ft Level, Rubber mallet and Safety Glasses. A large sturdy workbench or saw horses. Due to the weight of the glass door, 2 people are recommended for any lifting.



## Parts List

Make sure ALL parts are included before beginning.



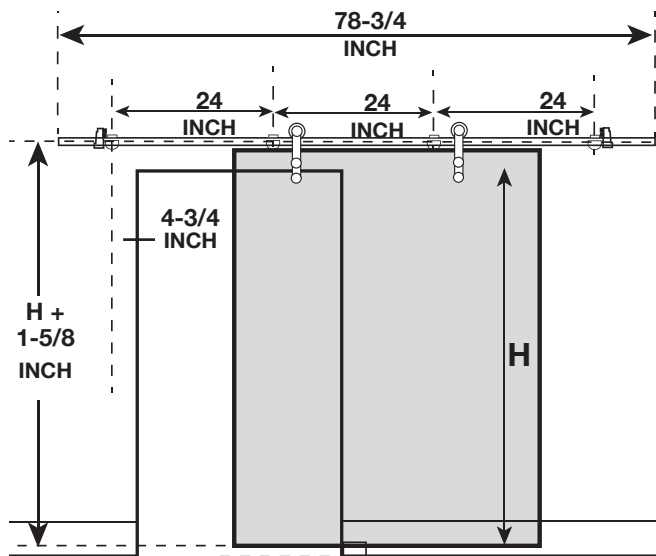
**NOTE**

**NOTE:** It is very important to determine whether you will be installing a Mounting Board prior to installing the track. If you do need to install a Mounting Board, it **MUST** be installed first.

**NOTE**

### 1. Measure for Track Height

In order to determine the proper Height for your Glass Door Track, add 1-5/8" to the height of the door being installed. Locate and mark this height on the wall (or mounting board) on the side of the door jamb where the door would be in the closed position. For proper and safe installation, it is crucial and highly recommended that the track brackets are installed into studs or a solid structure. See Figure 1.

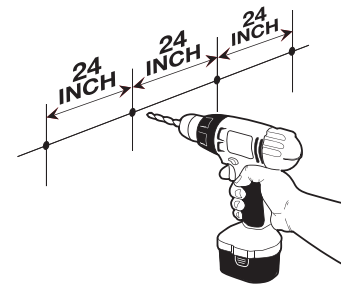


.25 inch mini  
.40 inch maxi

Figure 1

### 2. Determine Track Location

On the same side where you made your Height mark, measure 4-3/4" over from the doorjamb and draw a line so the 2 measurements intersect. This will be the location of the first hole. Mark the remaining locations for the track brackets (every 24"). Make sure all marks are level for proper installation. See Figure 1.



### 3. Insert Mounting Anchors & Track Brackets

Remove the face plates and black rubber stoppers from the track brackets with allen wrench. Take one of the white bracket wall spacers, place it on the back of a track bracket. Place at the first measurement intersection and using the drill, secure the bracket and spacer to the wall with the proper fastener for your wall type. Repeat with the remaining fasteners and brackets. Using the allen wrench, loosely replace the black spacers and face plates onto the track brackets. Do not fully tighten so the track can be installed See Figure 2

Figure 2

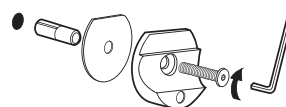


Figure 2A  
Masonry Application

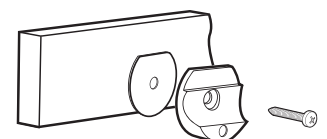


Figure 2B  
Mounting Board/Stud Application

**WARNING**

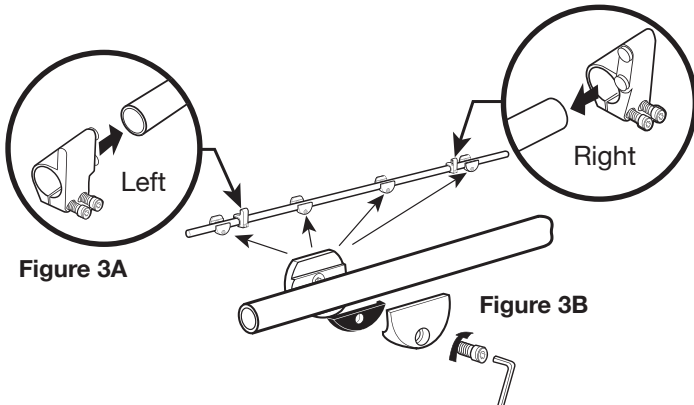
Improper installation could cause serious bodily harm.

# New Visions Glass Barn Door & Track Installation

## 4. Insert Door Stops & Secure Track

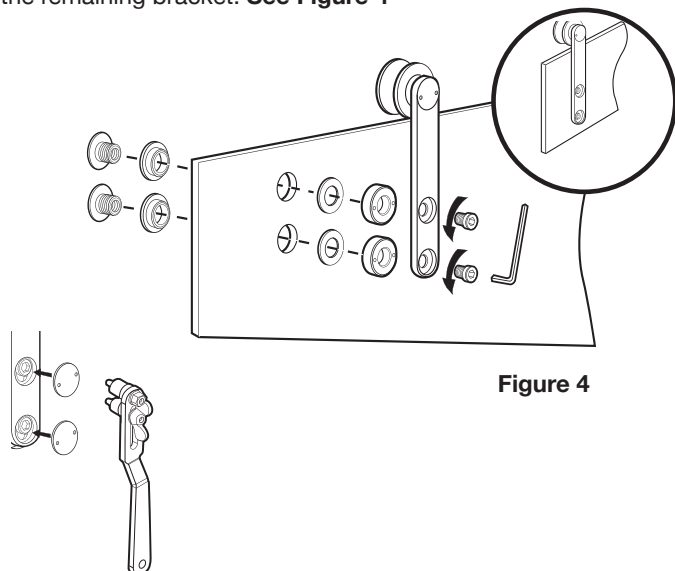
Place the track into the track brackets. Slide a door stop onto each end of the track, making sure the pointed end for each stopper is facing upward and the rubber stoppers for each are facing inward. Slide the door stops in far enough so they are inside the outermost bracket on each end. Make sure the track is centered on the track brackets. Tighten the face plates on the brackets with the allen wrench to secure the track into place.

See Figures 3A & 3B



## 5. Attach the Roller Brackets to the Door

Place the door on sturdy work surface. Take one of the Roller brackets and using the special tool provided, remove the decorative caps and set aside. Using an allen wrench, remove the 2 Allen screws and set aside. Once the allen screws are removed, you will have 2 the round units from the back of the bracket. Unscrew one of the units and separate. Insert the pieces with the threading tube through the back of the door and then place the silver and black ring pieces onto the front side of the door and twist until snug. Repeat with the other ring unit for this bracket. Once both ring units are secure, lay the roller bracket onto the ring units. Line up the holes, replace the allen screws and tighten with allen wrench. Replace the decorative caps and secure with the tool provided. Repeat these steps with the remaining bracket. See Figure 4



## 6. Install Handle

Unscrew handle into 2 pieces, making sure there are rubber stoppers on each half of the handle. Place half of the handle on the under side of the handle opening in the door. Place the other half on the top side of the opening and screw together until snug.

See Figure 5.

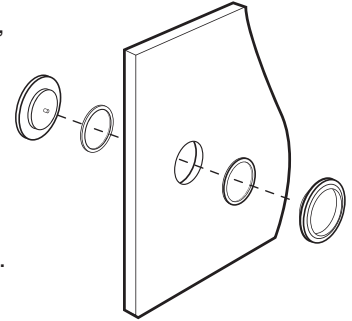


Figure 5

## 7. Place door onto the Track

Lift the door and slide the attached rollers onto the track. Make sure the decorative bracket caps are facing outward.

See Figure 6

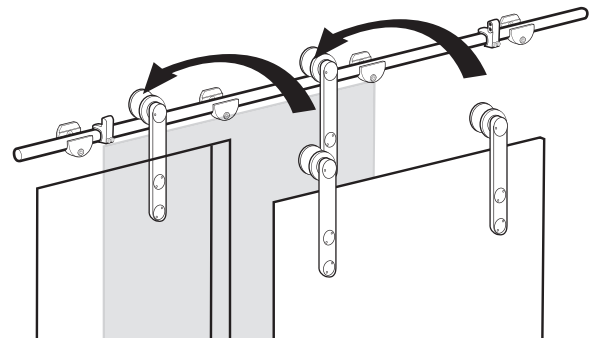


Figure 6

## 8. Set Door Stops

Make sure door stops are in the proper position and location for the door to fully open and fully close. Center the door in the opening. Slide the stopper on the closed position side of the door over until it comes into contact with the roller bracket. Make sure the pointed end is facing upward and use the allen wrench to tighten the 2 screws on the door stop to set it into place. Next roll the door into the full open position and repeat the steps for setting the other door stop.

Note: If your door opening requires the door to have a wider open and closed position where the door stops must be located to the outside of the outermost mounting brackets, you will need to carefully lift the door off of the track, set it aside and loosen the screws on the mounting brackets so that you can lift the track out. Then loosen the screws on the door stops and slide the door stops to the wider position on the track that would be to the outside of the outermost mounting brackets. Once they are in the desired location, place the track back onto the mounting brackets and secure the track back into place. Carefully place the door back onto the track and tighten the screws on both door stops with the allen wrench once in the proper position and location.

See Figure 7.

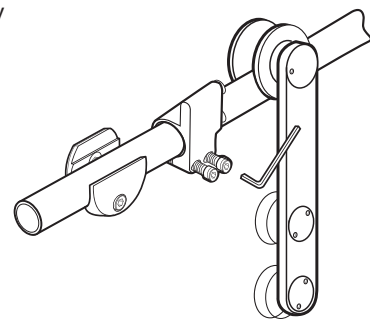


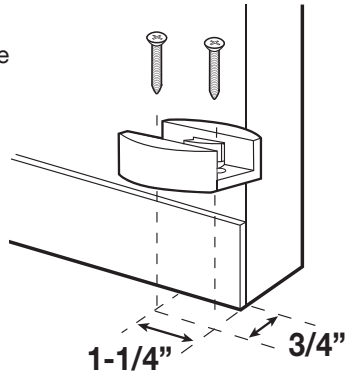
Figure 7

# New Visions Glass Barn Door & Track Installation

## 9. Install Floor Glide

To locate the proper installation position in the floor, slide the door into the desired closed position and mark the outside edge of the door on the floor. Now place the door into the open position and mark the inside edge of the door on the floor. Make sure that whether the door is in the open or closed position that the door NEVER leaves the Door guide. This is the proper location for the Door guide. Make sure your guide location is well marked.

With the door in the open position, place the back piece of the door guide onto the marked location and then place the front piece onto that so it lines up. Insert a screw into the right side opening in the guide and secure to the floor. Move the door to the closed position and insert the second screw into the left opening in the guide and secure to the floor.



See Figure 8.

Figure 8