

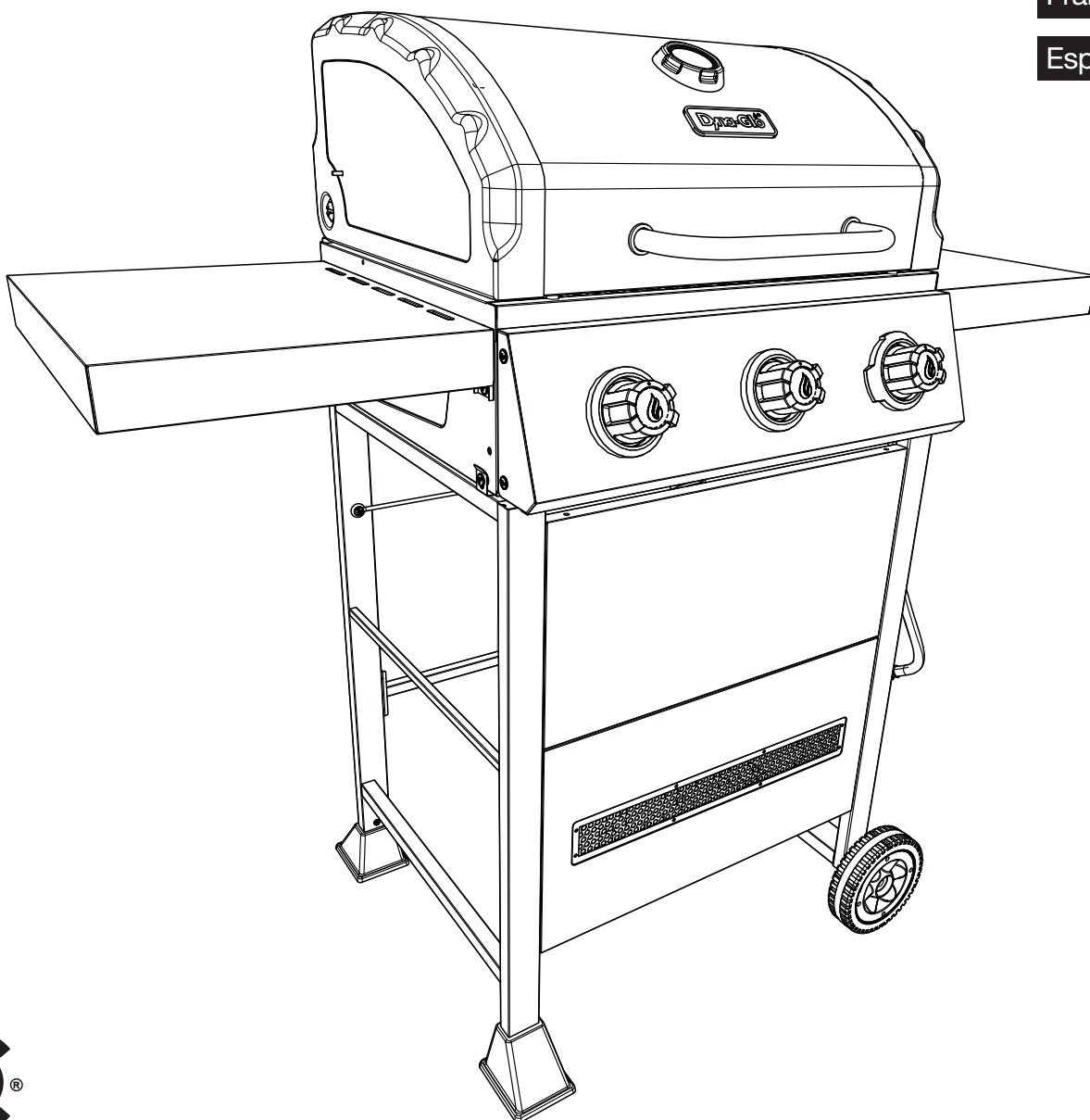
# Dyna-Glo®

## 3-BURNER LP GAS GRILL WITH SEARPLUS™ BURNER

Model #DGH353CRP/DGH353CRP-D

Français p. 29

Español p. 57



BEFORE YOU BEGIN >>>



Scan for easy  
3D instructions



**Questions, problems, missing parts?**

Before returning to your retailer,

call our customer service

department at **1-877-447-4768**,

8:00 a.m. – 4:30 p.m., CST,

Monday – Friday or e-mail us at

**CustomerService@ghpgroupinc.com**

052821

# Table Of Contents

Safety Information .....	3
Package Contents .....	5
Hardware Contents .....	6
Preparation.....	6
Assembly Instructions.....	7
Operation Instructions.....	15
Care and Maintenance .....	20
Troubleshooting .....	23
Limited Warranty .....	24
Replacement Parts List .....	25

Assembler/Installer: This manual contains important information necessary for the proper assembly and safe use of this appliance. Read and follow all warnings and instructions before assembling and using this appliance. **Leave these instructions with the consumer.**

**Retain these instructions for future reference.**



**Consumer/User: Follow all warnings and instructions when using this appliance.**



## **DANGER**

If you smell gas:

1. Shut off gas to the appliance.
2. Extinguish any open flame.
3. Open lid.
4. If odor continues, keep away from the appliance and immediately call your local fire department.



## **WARNING**

1. Do not store or use gasoline or other flammable liquids or vapors in the vicinity of this or any other appliance.
2. An LP (liquid propane) cylinder not connected for use shall not be stored in the vicinity of this or any other appliance.
3. This grill is for outdoor use only and shall not be used in a building, garage, under overhangs or any other enclosed area.
4. Do not leave a lit grill unattended. Keep children and pets away from the grill at all times.



## Safety Information

Please read and understand this entire manual before attempting to assemble, operate or install the product. If you have any questions regarding the product, please call customer service at: 1-877-447-4768, 8:00 a.m. – 4:30 p.m., CST, Monday – Friday.

### DANGER

- Do not use in an explosive atmosphere. Keep grill area clear and free from combustible materials, gasoline and other flammable vapors and liquids.



**WARNING: FUELS USED IN LIQUEFIED PROPANE GAS APPLIANCES, AND THE PRODUCTS OF COMBUSTION OF SUCH FUELS, CAN EXPOSE YOU TO CHEMICALS INCLUDING BENZENE, WHICH IS KNOWN TO THE STATE OF CALIFORNIA TO CAUSE CANCER AND CAUSE BIRTH DEFECTS OR OTHER REPRODUCTIVE HARM. For more information go to: [www.P65Warnings.ca.gov](http://www.P65Warnings.ca.gov).**

### CAUTION

- Never use charcoal or lighter fluid with the grill.
- Do not use gasoline, kerosene or alcohol for lighting.
- The LP gas cylinder used with this appliance must be:
  - (a) Constructed and marked in accordance with the Specifications for LP-Gas Cylinders of the U.S. Department of Transportation (D.O.T.) or the National Standard of Canada, CAN/CSA-B339, Cylinders, Spheres and Tubes for Transportation of Dangerous Goods; and Commission, as applicable; and
  - (b) Provided with a listed overfilling prevention device.
  - (c) Provided with a cylinder connection device compatible with the connector for outdoor cooking appliances. This grill is not intended to be used in or installed on recreational vehicles and/or boats.
- Never keep a filled container in a hot car or car trunk. Heat will cause the gas pressure to increase, which may open the relief valve and allow gas to escape.
- Always open grill lid slowly and carefully as heat and steam trapped within the grill can burn you severely.

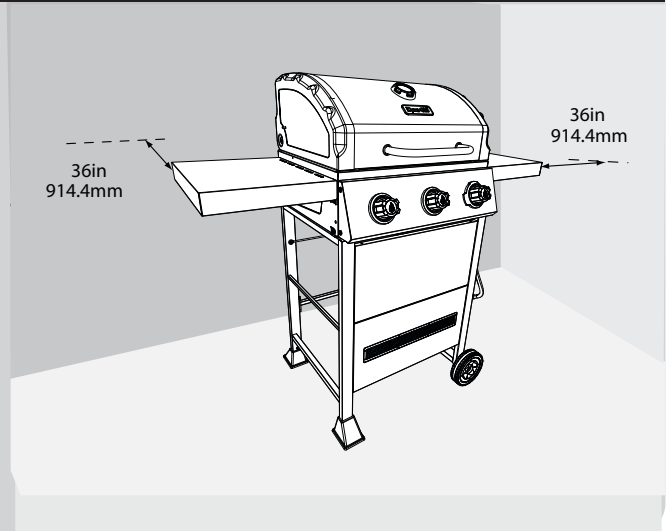


## Safety Information

### WARNING

- Do not place the grill under overhead combustible construction or awnings. Minimum clearance from sides and back of unit to combustible construction, 36 inches (914.4mm) from sides and back.

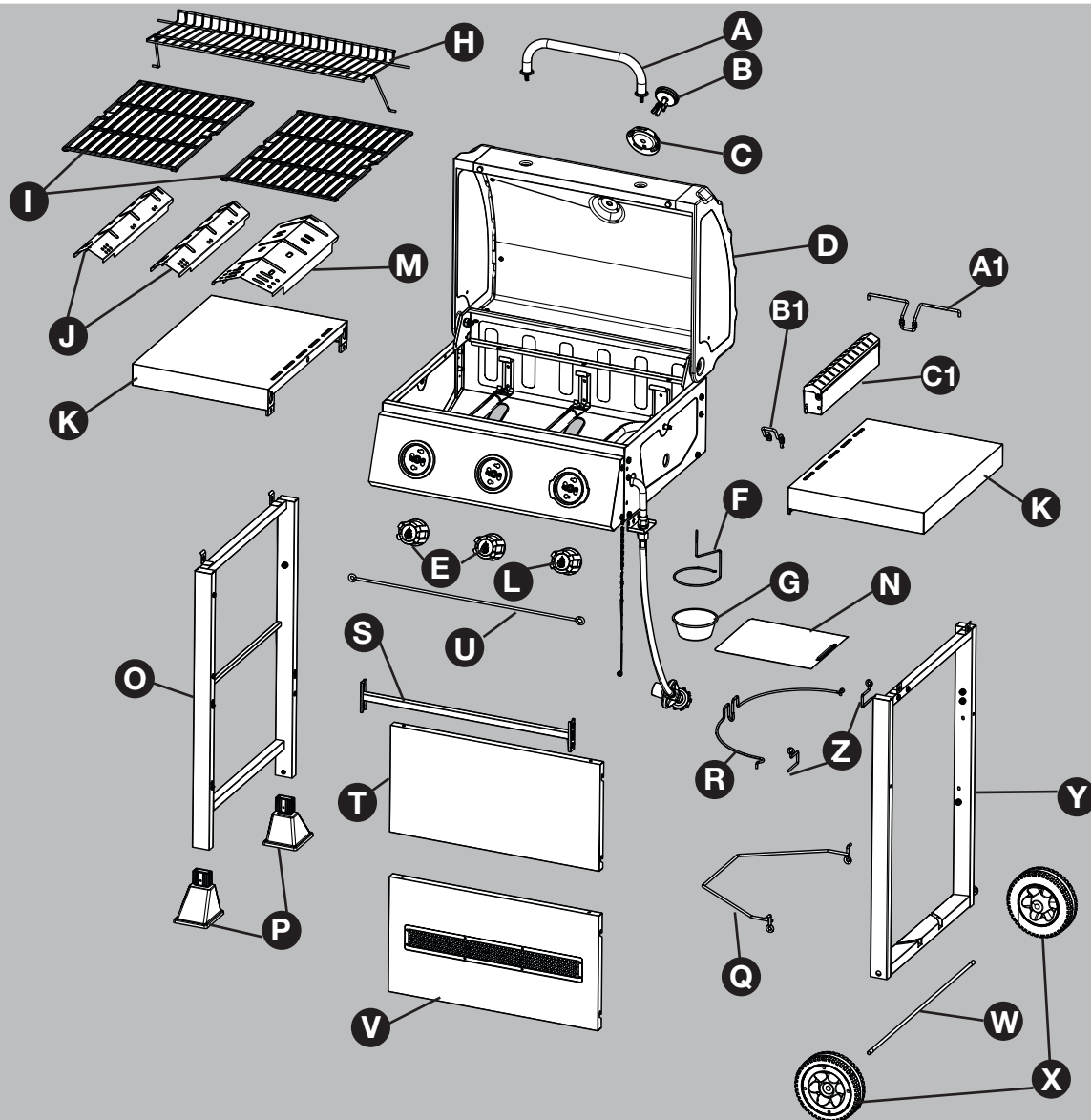
NOTE: The installation must conform with local codes or, in the absence of local codes, with either the National Fuel Gas Code, ANSI Z223.1/NFPA 54, Natural Gas and Propane Installation Code, CSA B149.1, or Propane Storage and Handling Code, B149.2.



### CAUTION

- Do not store or use gasoline or other flammable liquids or vapors in the vicinity of this or any other appliance.
- An LP cylinder not connected for use shall not be stored in the vicinity of this or any other appliance.
- This grill is for use with propane gas only (propane cylinder not included).
- Never attempt to attach this grill to the self-contained propane system of a boat, camper trailer, motor home or house.
- Do not attempt to move the grill while it is lit or when it is hot. The casters should be locked when not moving the grill.
- Do not use the grill unless it is completely assembled and all parts are securely fastened and tightened.
- Keep all combustible items and surfaces at least 36 inches (91.44 cm) away from the grill at all times.
- Do not touch metal parts of grill until it has completely cooled (about 45 minutes) to avoid burns, unless you are wearing protective gear (pot holders, gloves, BBQ mittens, etc.).
- Do not alter this grill in any manner.
- Clean and inspect the hose before each use. If there is evidence of abrasion, wear, cuts, or leaks, the hose must be replaced prior to operating the appliance. The replacement hose assembly will be that which is specified by the manufacturer.
- Move gas hoses as far away as possible from hot surfaces and dripping hot grease.
- Keep the grill's valve compartment, burners and circulating air passages clean. Inspect the grill before each use. Do not obstruct the flow of gas or ventilation air.
- The use of alcohol, prescription or non-prescription drugs may impair the operator's ability to properly assemble or safely operate the grill.
- **Do not leave a lit grill unattended. Keep children and pets away from the grill at all times.**
- Do not place this grill on any type of tabletop surface. The grill should be placed on a flat and level surface.
- Do not use the grill in high winds.

# Package Contents



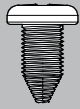
PART	DESCRIPTION	QTY.
A	Lid Handle Assembly	1
B	Temperature Gauge	1
C	Temperature Gauge Bezel	1
D	Grill Body Assembly	1
E	Control Knob	2
F	Grease Cup Holder	1
G	Grease Cup	1
H	Warming Rack	1
I	Cooking Grate	2
J	Heat Tent For Main Burner	2
K	Side Table	2
L	Control Knob For Sear Burner	1
M	Heat Tent For Sear Burner	1
N	Tank Heat Shield	1
O	Left Leg Assembly	1

PART	DESCRIPTION	QTY.
P	Leg End Cap	2
Q	Side Exclusion Bar	1
R	Tank Brace	1
S	Cart Rear Support	1
T	Cart Front Panel - Upper	1
U	Cylinder Exclusion	1
V	Cart Front Panel - Lower	1
W	Axle	1
X	Wheel	2
Y	Right Leg Assembly	1
Z	Tank Retention Fixed Wire	2
A1	Smoker Box Rear Support	1
B1	Smoker Box Front Support	1
C1	Smoker Box Assembly	1

# Hardware Contents

AA

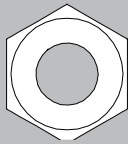
2X



St4 8x10  
Screw

BB

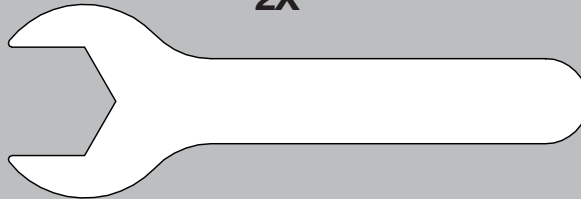
2X



M8 Nut

CC

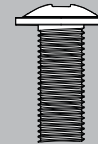
2X



M8  
Wrench

DD

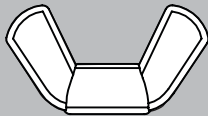
20X



M6x16  
Screw

EE

2X



M6 Wing  
Nut

FF

2X



M6 Spring  
Washer

GG

2X



M6 Plain  
Washer

HH

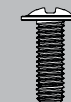
4X



M4x10  
Screw

II

16X



M5x14  
Screw

## Preparation

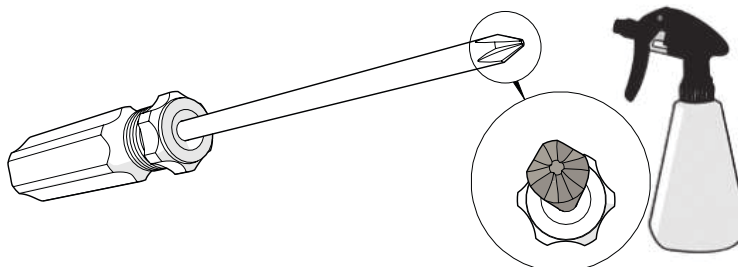
Before beginning assembly of product, make sure all parts are present. Compare parts with package contents list on previous page and hardware contents above. If any part is missing or damaged, do not attempt to assemble the product. Contact customer service for replacement parts.

**Estimated Assembly Time:** 50 minutes with 2 people.

## CAUTION

**THIS UNIT IS HEAVY. Two people required for safe assembly.**

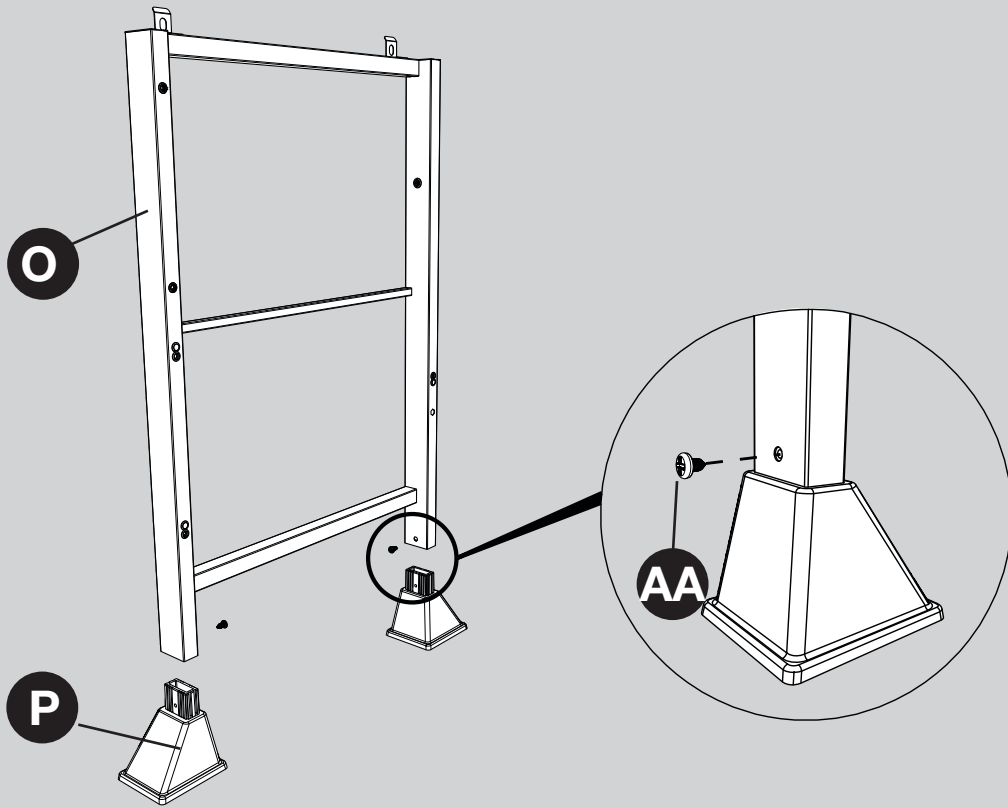
Two people required for safe assembly. Some parts may contain sharp edges. Wear protective gloves if necessary. Read and follow all safety statements, warnings, assembly instructions and use and care instructions before attempting to assemble and use.



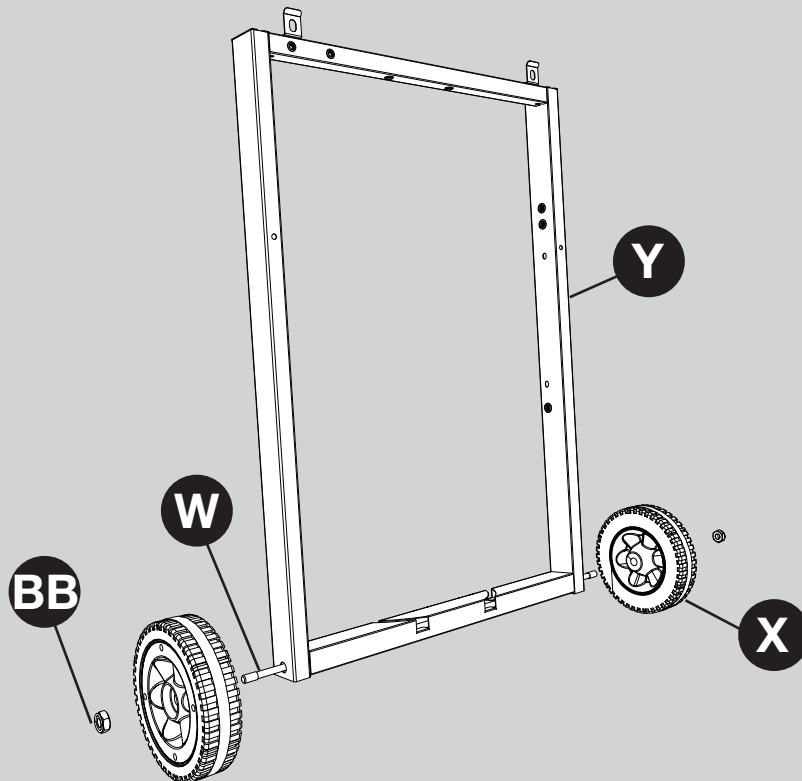
**Tools Required for Assembly and Leak Testing (not included):** Phillips screwdriver, Spray bottle

# Assembly Instructions

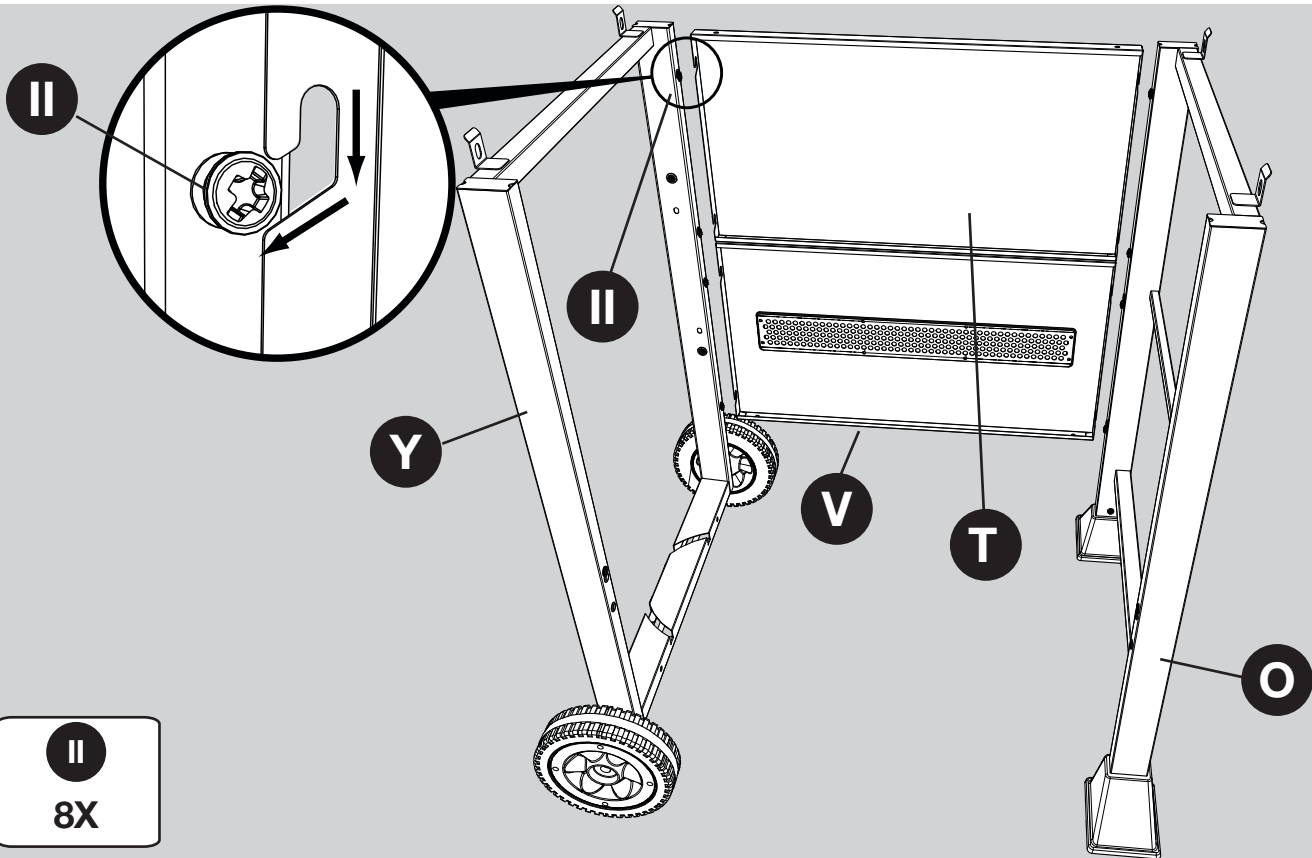
## 1 Assembly – Left Leg



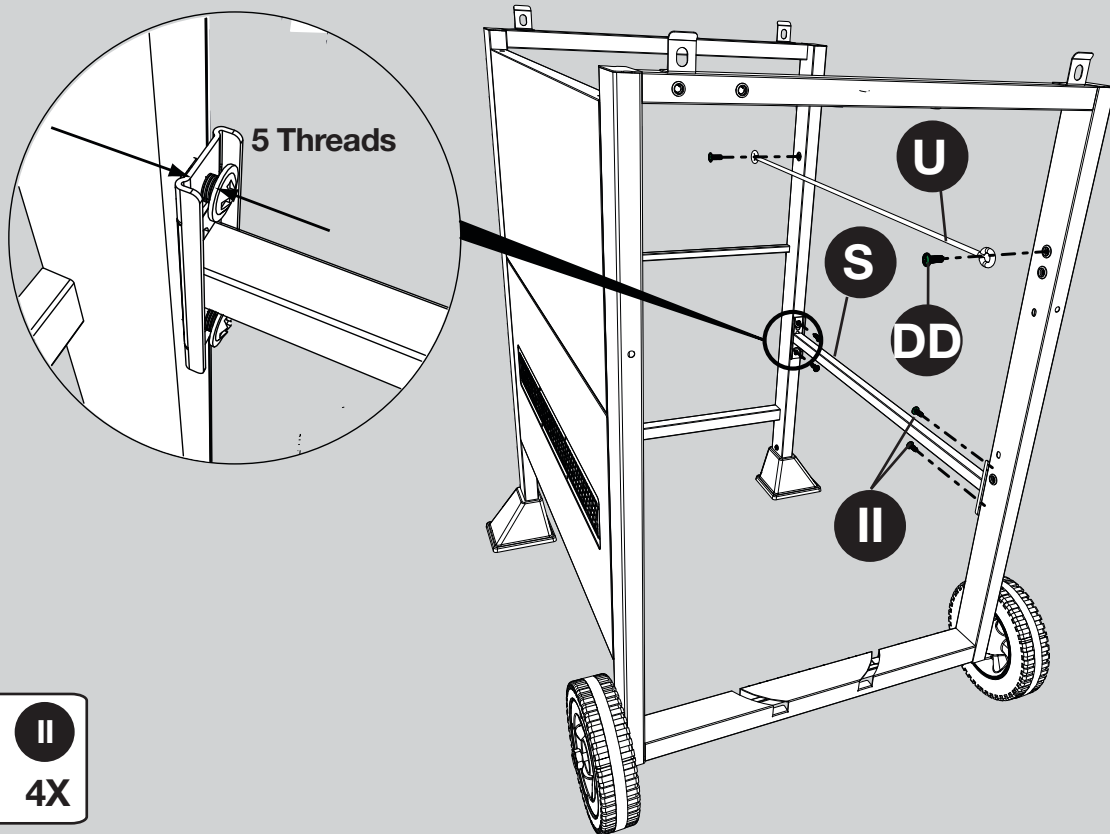
## 2 Assembly – Right Leg



### 3 Assembly – Cart Front Panels



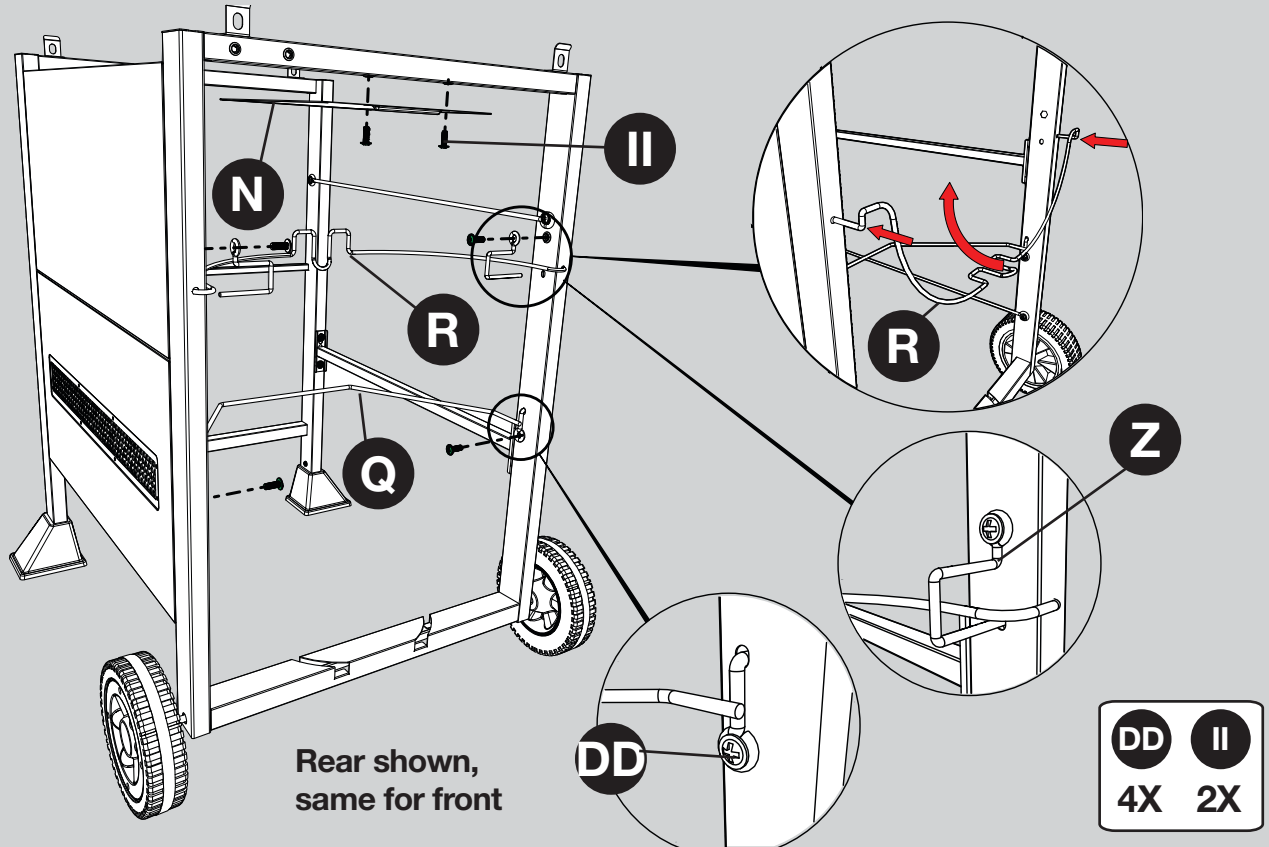
### 4 Assembly – Back Exclusion Bar and Cart Rear Support





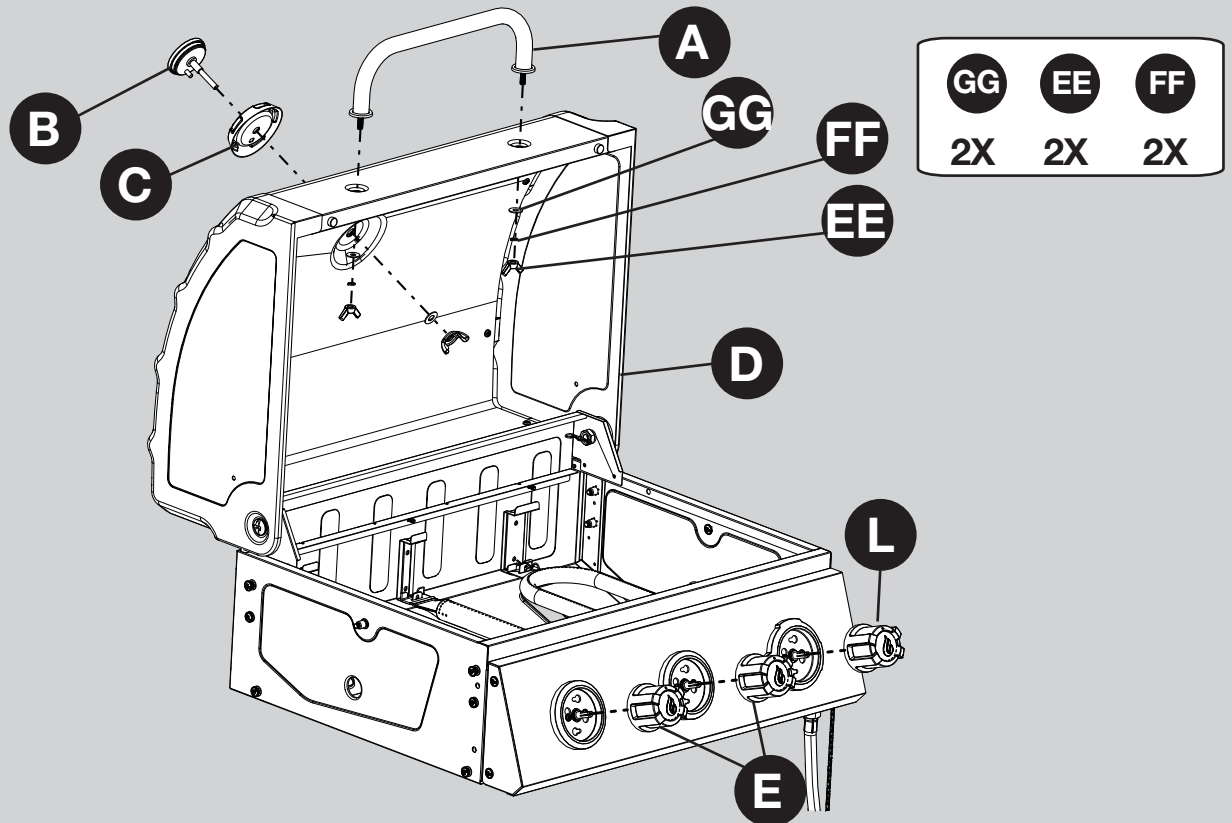
# 5

## Assembly – Tank Brace and Side Exclusion Bar



# 6

## Assembly – Handle, Knobs, and Temperature Gauge

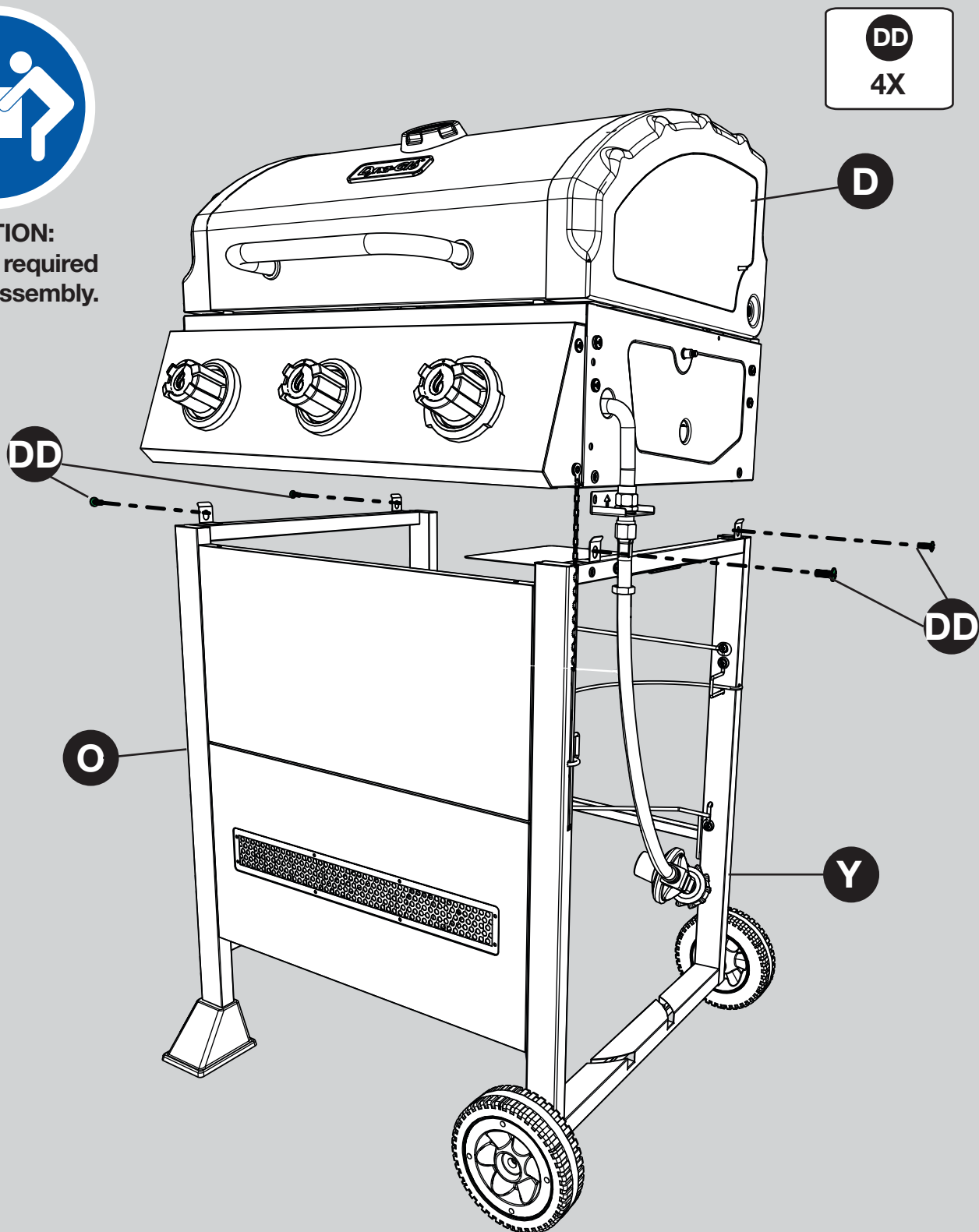


# 7

## Assembly – Grill Body to Base



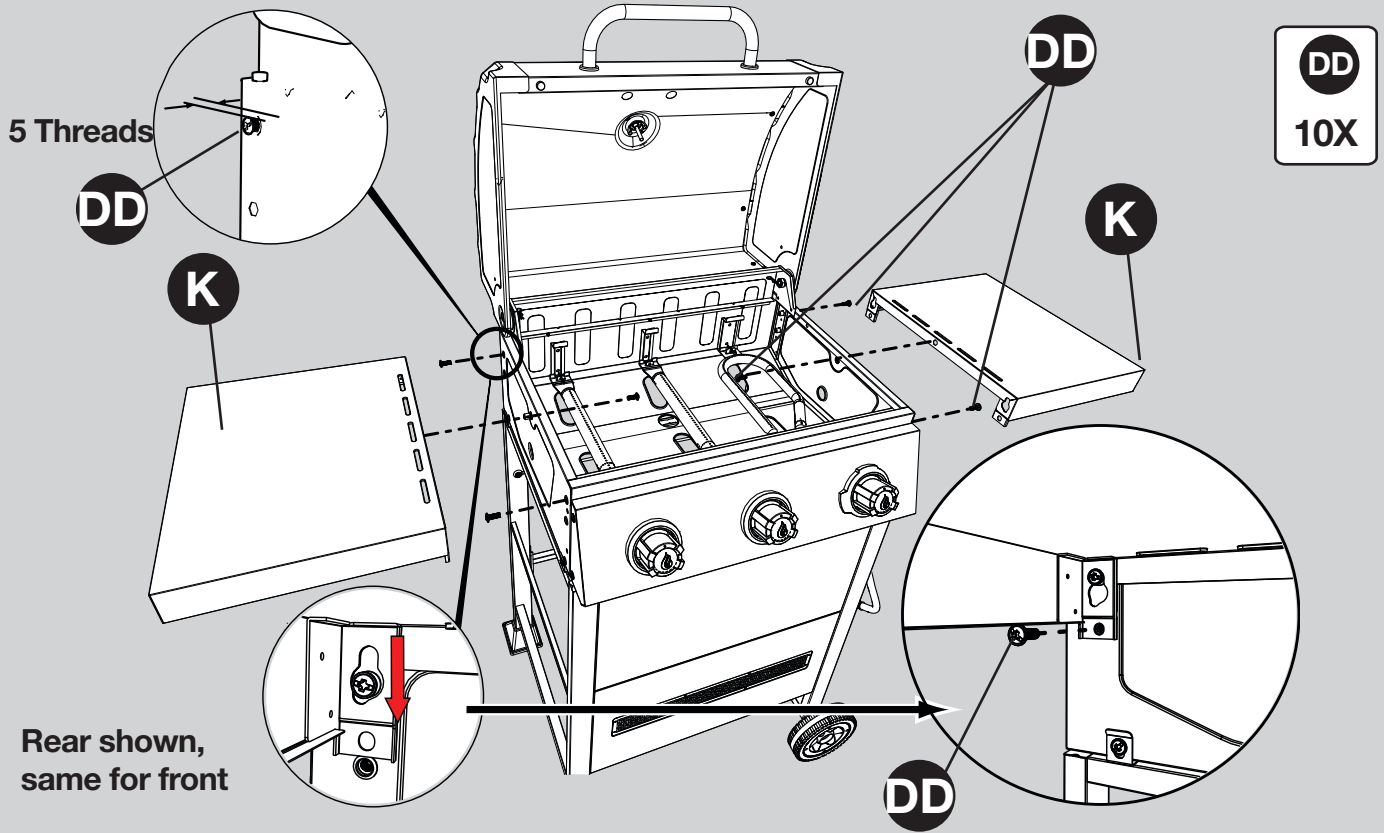
**CAUTION:**  
2 people required  
for safe assembly.



**NOTE:** Fully tighten all nuts from front panel and back brace screws at this time.

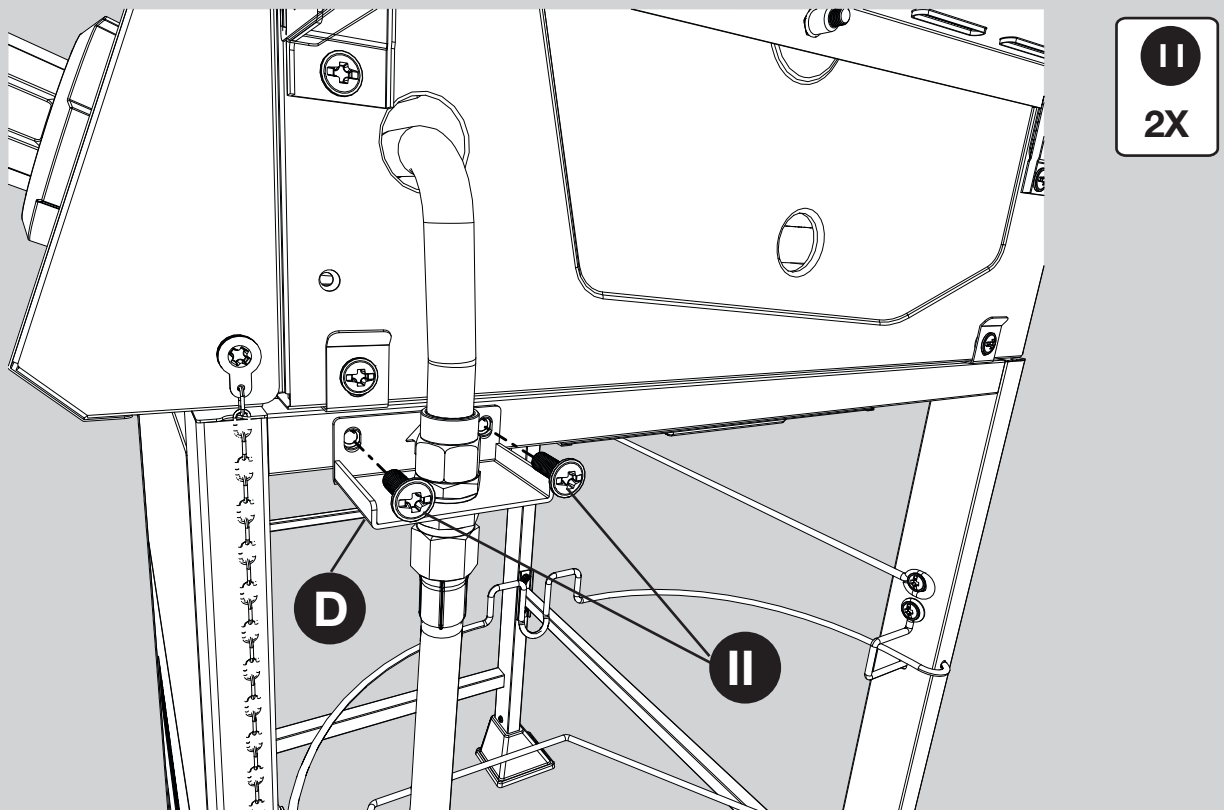
# 8

## Assembly – Side Tables



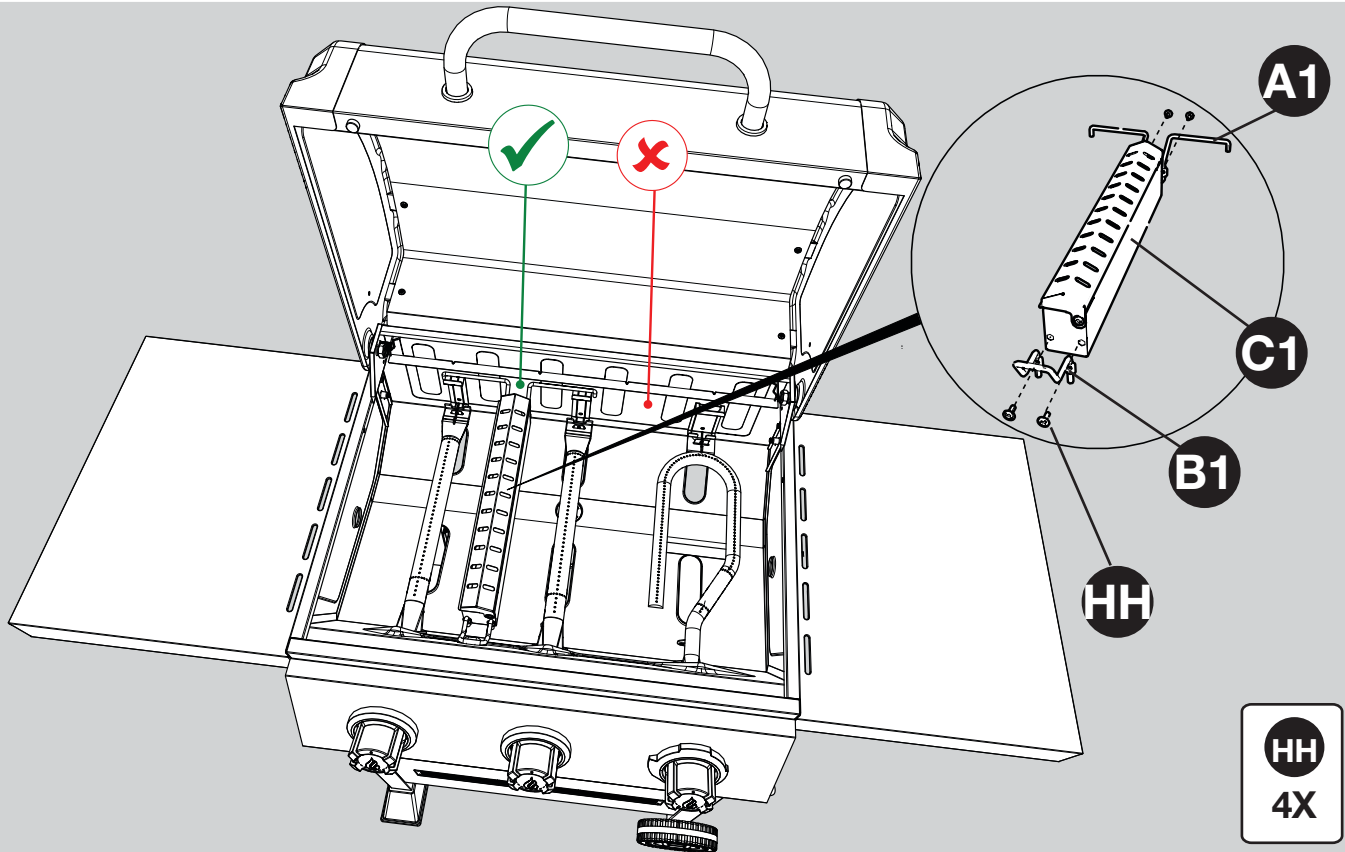
# 9

## Assembly – Hose Fitting



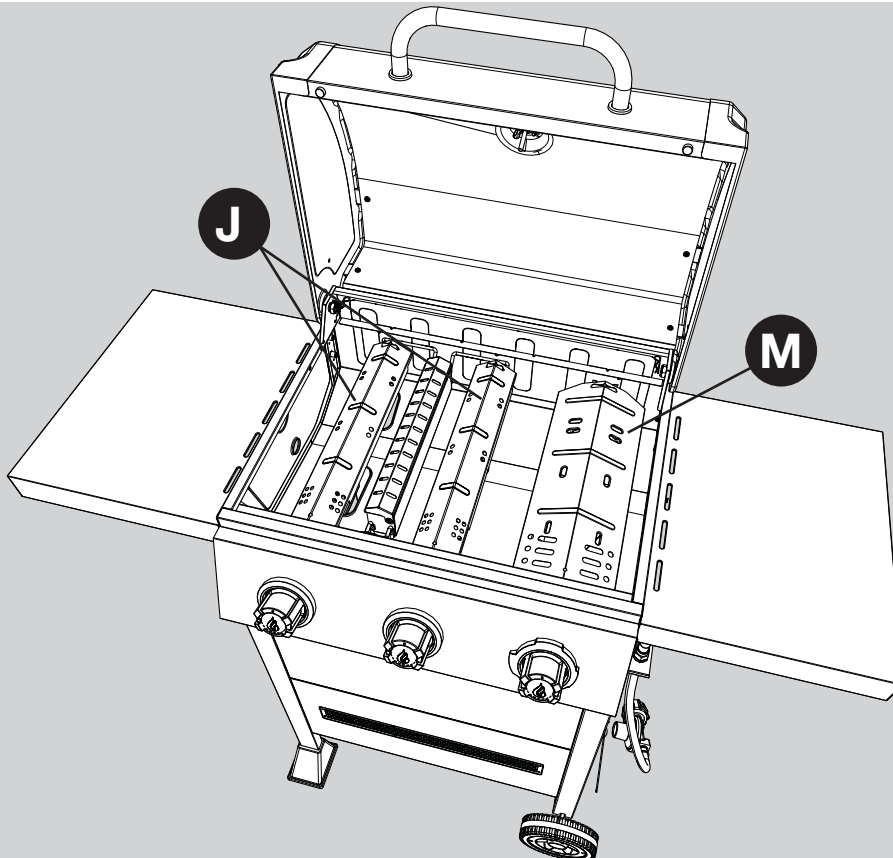
# 10

## Assembly – Optional Smoker Box



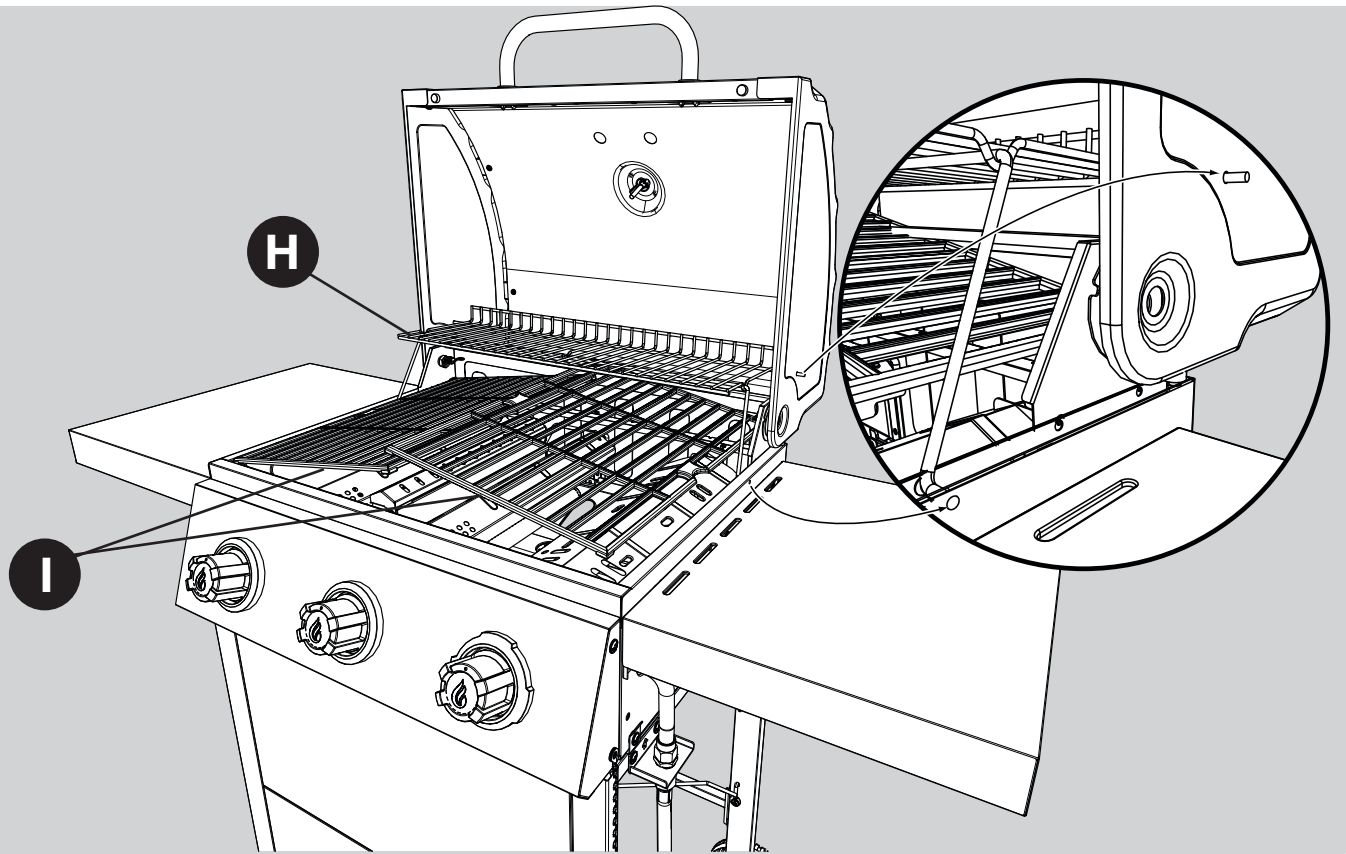
# 11

## Assembly – Heat Tents



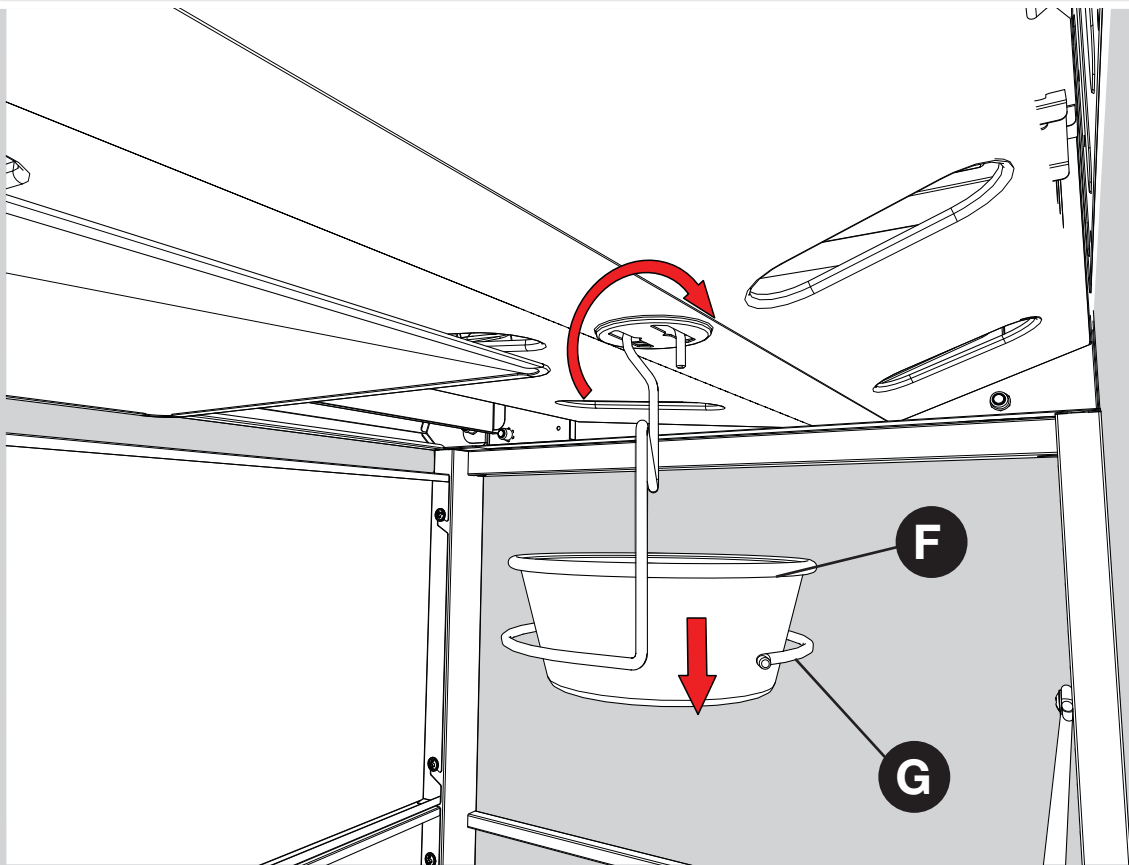
**12**

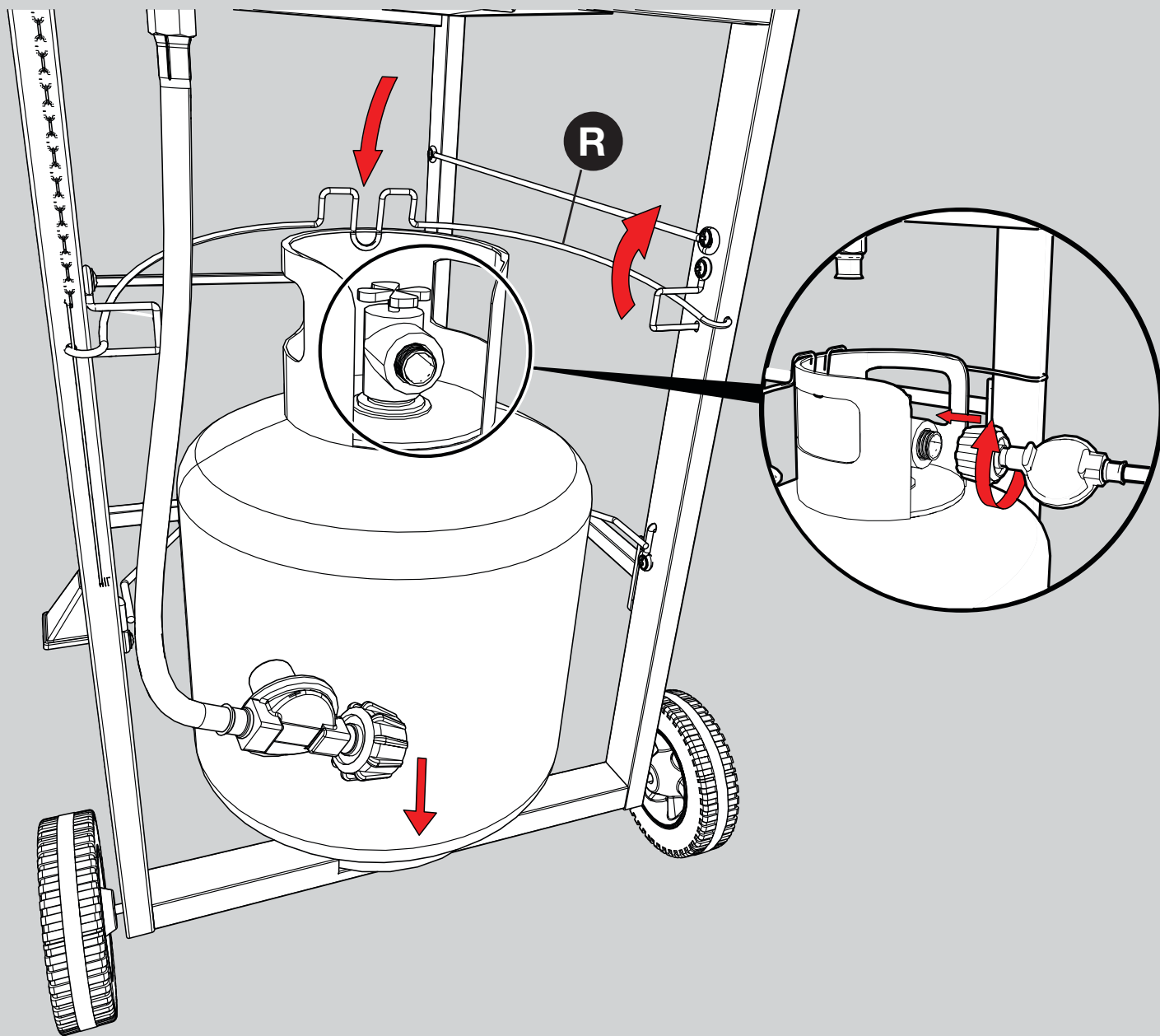
**Assembly – Rack and Cooking Grates**



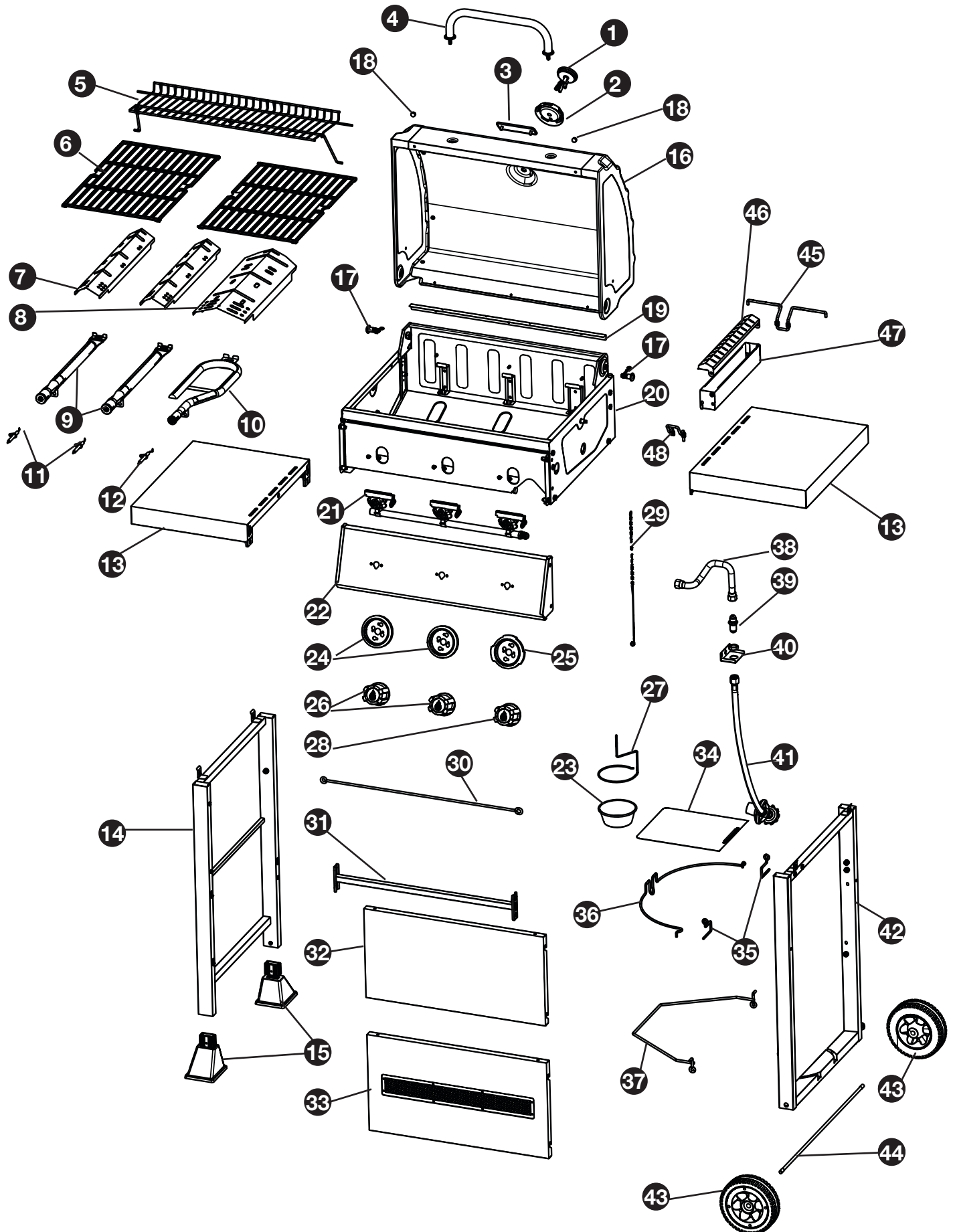
**13**

**Assembly – Grease Cup**





# Replacement Parts List



# Replacement Parts List

For replacement parts, call our customer service department at 1-877-447-4768, 8:00 a.m. – 4:30 p.m., CST, Monday – Friday.

Part	Description	Part #
1	Temperature gauge assembly	70-02-264
2	Temperature gauge bezel	70-01-906
3	Badge	70-10-540
4	Lid handle welding	70-02-157
5	Warming rack	70-01-633
6	Cooking grate	70-01-634
7	Heat tent for main burner	70-02-158
8	Heat tent for SearPLUSTM burner	70-02-159
9	Main burner with cotter pin	70-02-582
10	SearPLUSTM burner with cotter pin	70-02-062
11	Main burner sparker	70-01-283
12	SearPLUSTM burner sparker	70-02-063
13	Side table	70-02-160
14	Left leg assembly	70-02-161
15	Leg end cap	70-02-584
16	Lid assembly	70-02-162
17	Lid pivot pin-with cotter pin	70-01-641
18	Lid Bumper	70-01-176
19	Cooking grate bracket	70-01-642
20	Firebox assembly with heat shield	70-02-163
21	Main valves and manifold assembly	70-02-164
22	Main control panel assembly	70-02-165
23	Grease cup	70-01-650
24	Control knob bezel for main burner	70-01-920
25	SearPLUSTM control knob bezel	70-02-418
26	Control knob for main burner	70-01-921
27	Grease cup holder	70-01-651
28	Control knob for SearPLUSTM burner	70-01-923
29	Match holder with chain	70-01-204
30	Cylinder exclusion	70-02-555
31	Cart rear support	70-02-166
32	Cart front panel-upper	70-02-549
33	Cart front panel-Lower	70-02-167
34	Cylinder heat shield	70-02-168
35	Tank retention fixed wire	70-02-541
36	Tank brace	70-02-433
37	Side exclusion bar	70-02-435



**REPLACEMENT PARTS LIST – CONTINUED**

38	Corrugated hose assembly	70-01-645
39	Connector	70-02-110
40	Connector fixing plate	70-02-268
41	Regulator and Hose Assembly	70-01-647
42	Right leg assembly	70-02-169
43	Wheel	70-01-659
44	Axle	70-01-658
45	Smoker box rear support with hardware	70-02-086
46	Smoker box lid with hardware	70-01-929
47	Smoker box body with hardware	70-01-930
48	Smoker box front support with hardware	70-02-085
n/a	Hardware pack	70-09-578