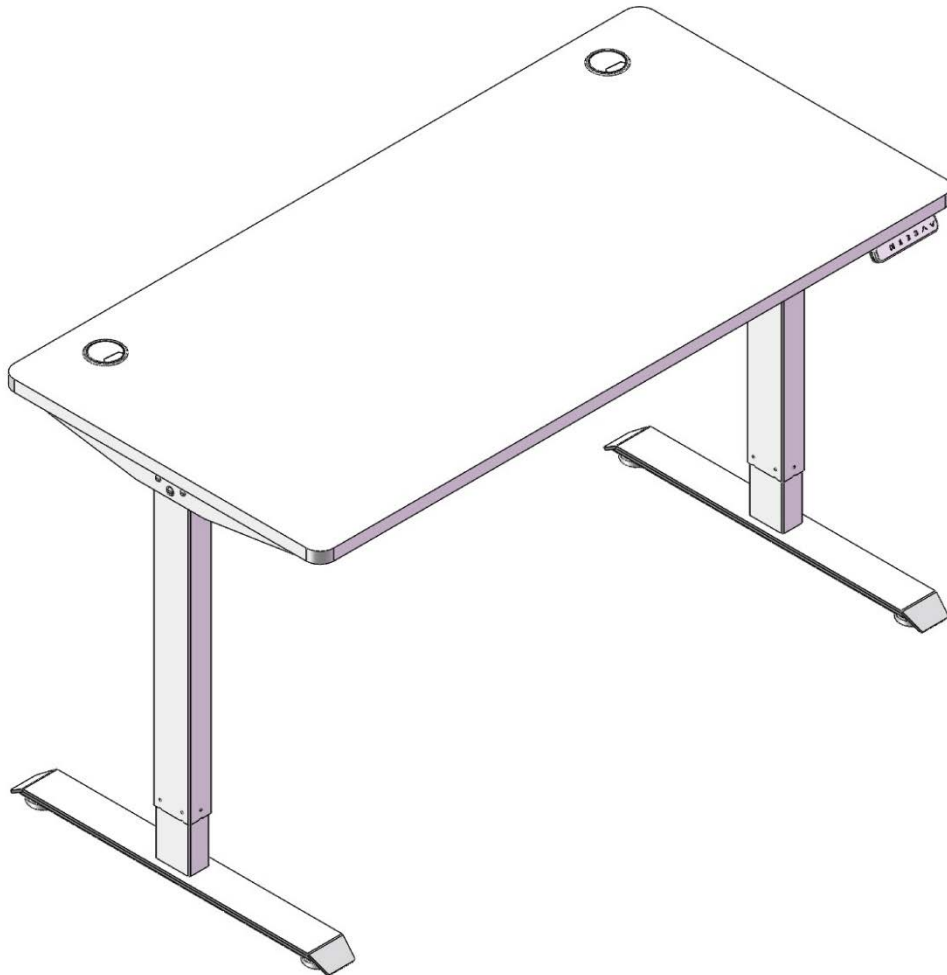


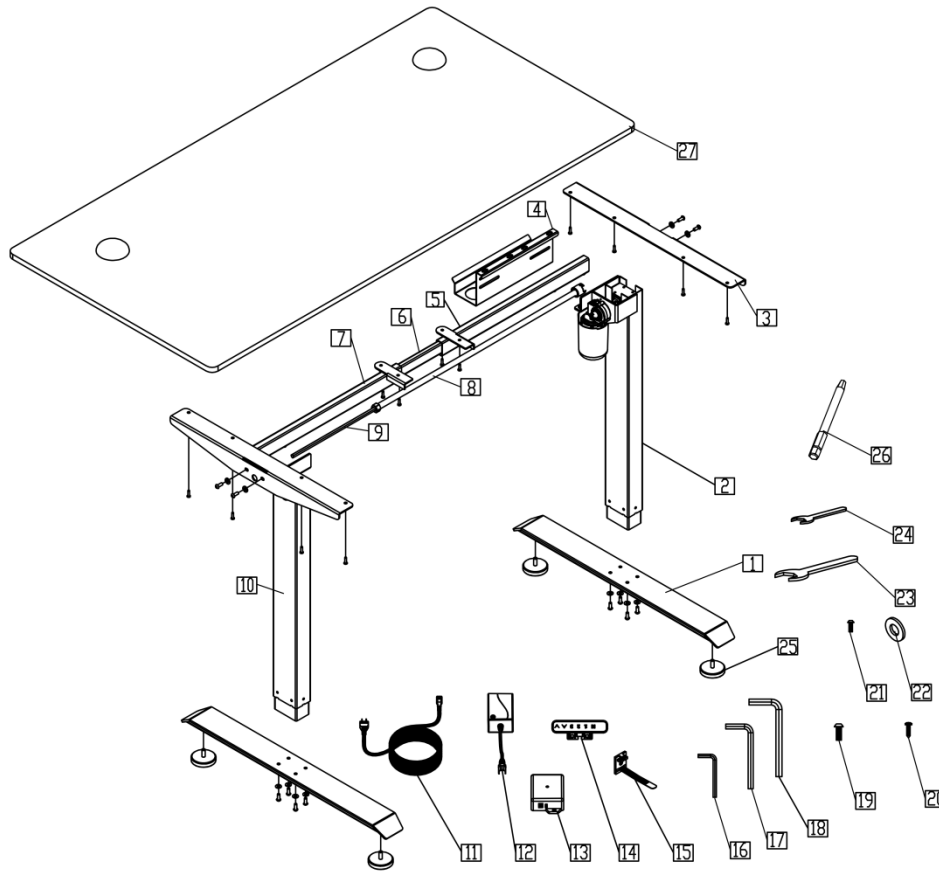
# Electric Adjustable Height Desk

## Instruction Manual



<b>PARTS DIAGRAM</b> -----	<b>1</b>
<b>SPECIFICATIONS</b> -----	<b>2</b>
<b>ASSEMBLY</b> -----	<b>3</b>
<b>OPERATION</b> -----	<b>5</b>
<b>CONTACT INFORMATION</b> -----	<b>8</b>

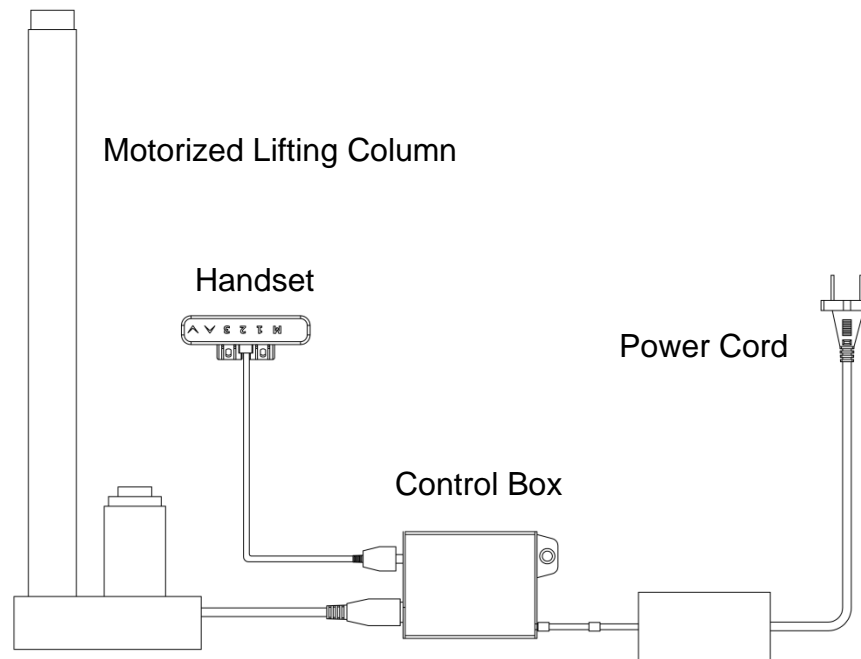
# PARTS DIAGRAM



NO.	COMPONENT	QTY
1	Base	2
2	Lifting Column (Right)	1
3	Bracket	2
4	Wiring Channel	1
5	Frame (Right)	1
6	Extendable Rod	1
7	Frame (Left)	1
8	Transmission Tube	1
9	Hexagonal Bar	1
10	Lifting Column (Left)	1
11	Power Cord	1
12	Power Adapter	1
13	Control Box	1
14	Handset	1

NO.	COMPONENT	QTY
15	Tie	2
16	2 mm Hex Wrench	1
17	4 mm Hex Wrench	1
18	8 mm Hex Wrench	1
19	M6x16 Bolt	8
20	ST4x16 Screw	17
21	M6x10 Bolt	4
22	Washer	12
23	18 mm Wrench	1
24	8 mm Wrench	1
25	Foot Pad	4
26	4 mm Hex Bit	1
27	Desktop	1

## Control Box Connections



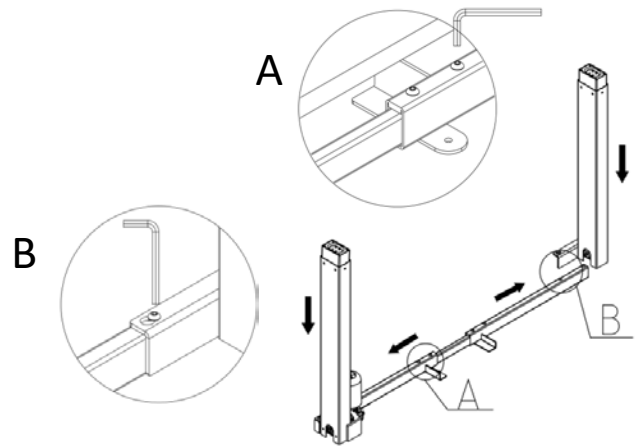
## SPECIFICATIONS

Input Power	110–240V/50–60Hz AC
Output Power	24V DC
Max. Desktop Height	45 in. (115 cm)
Min. Desktop Height	28 in. (70 cm)
Load Capacity	220 lb. (100 kg)
Max. Speed	$\frac{3}{4}$ in./sec. (20 mm/s)
Stroke	17.7 in. (45 cm)
Operating Temperature	32–104°F (0–40°C)
Duty Cycle	5 min. on, 18 min. off

# ASSEMBLY

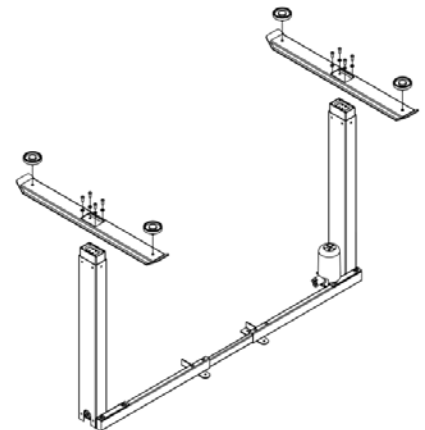
1

Loosen and pull the frame (5 & 7) open as shown in Fig. A. Put the two lifting columns (2 & 10) onto the frame and tighten as shown in Fig. B.



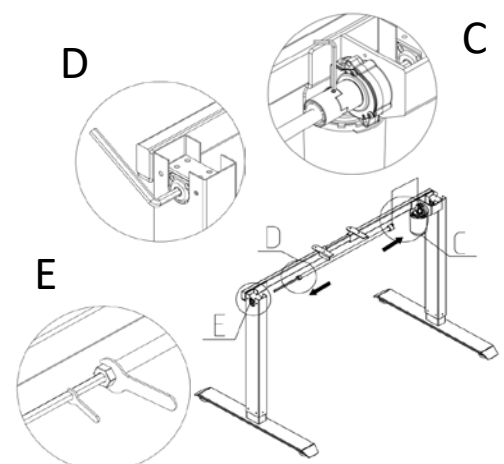
2

Install the bases (1) on the lifting columns with the bolts M6×16 (19). Install the foot pads (25) on the bases.



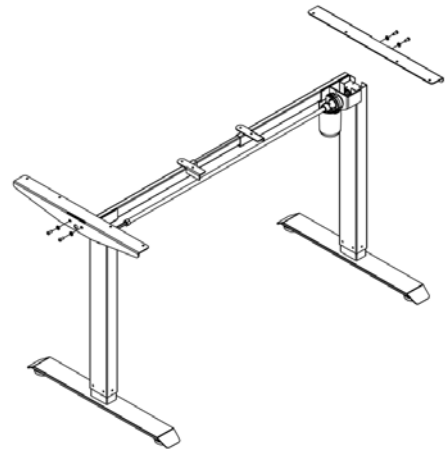
3

Connect the transmission tube (8) and tighten as in Fig. C. Adjust the gear box to align with the hexagonal bar (9) as in Fig. D. Insert the hexagonal bar into the transmission tube and gear box. Tighten as in Fig. E.



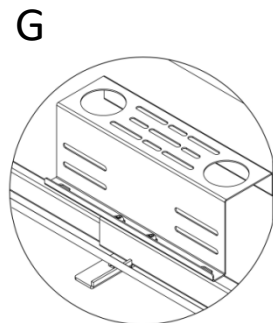
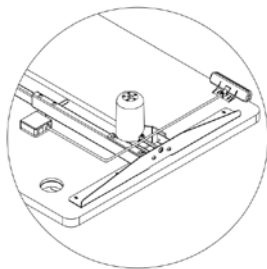
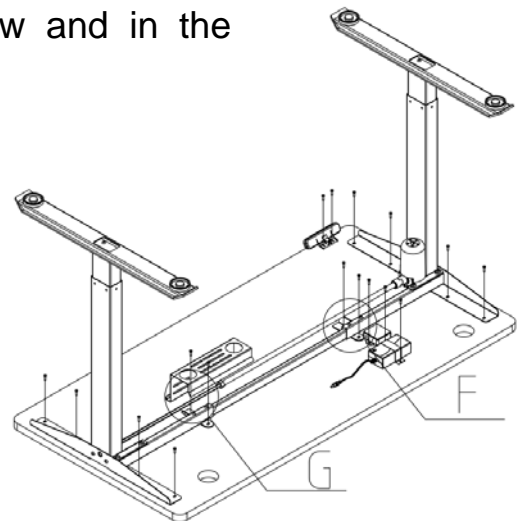
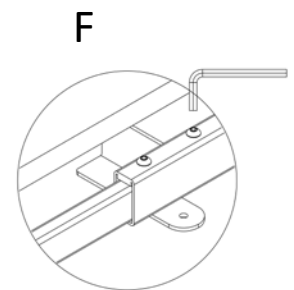
# 4

Install the brackets onto the frame with the M6x10 bolts (21).



# 5





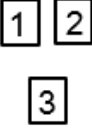
Adjust the width of the frame and fix it to the desktop (27) using the screws (20). Tighten the connecting rod as in Fig. F. Install the wiring channel (4) as shown in Fig. G. Connect the control box (13), handset (14), and motorized lifting column as shown below and in the Parts Diagram.




# OPERATION

Plug the power cord in. The handset will display 70.0, the current height of the desktop in centimeters.





## Keys

	Press to enter the menu settings.
	Press & hold to raise the lifting columns. Release to stop.
	Press & hold to lower the lifting columns. Release to stop.
	Press once and press a number key to set a height in memory.
	Press to move the desk to a preset height.







## Reset

Pressing  to the lowest setting and holding continuously resets the desk's stored data.

## Child Lock

Pressing  and  together and holding continuously locks the desk's controls. The handset should display LOC. Repeat this procedure holding  and  together to unlock the desk's controls.

## Menu

Press and hold  until the handset displays S--. Press  again to enter the settings menus. In these menus,  and  cycle through your options and change values,  confirms and saves your choices, and  escapes to the previous menu without saving changes.

Code	Function	Choices	Notes
1Un	Unit Selection	51 1 11	Press <b>M</b> to change the units displayed. Select 51 to display the desktop's height in centimeters or 1 11 to display height in inches.
2br	Brightness Selection	11 L H	Press <b>M</b> to change the display's brightness. Select 11 for medium brightness, L for low brightness, or H for high brightness.
3Fu	Sensitivity while Rising	L0–L9	Press <b>M</b> to change the desktop's sensitivity to collision avoidance while rising. At level 5, a resistance of about 30 lb. (15 kg) will stop the desktop from continuing to rise. Lower to L1 for greater sensitivity to less resistance or rise to L9 for less sensitivity to more resistance.
4Fd	Sensitivity while Lowering	L0–L9	Press <b>M</b> to change the desktop's sensitivity to collision avoidance while descending.

5SH	Height Range	<p>H<sub>i</sub> b</p> <p>L<sub>l</sub> L</p> <p>L<sub>l</sub> H</p>	<p>Press <b>M</b> to change the maximum and minimum available heights.</p> <p>H<sub>i</sub> b is the base height of 70 cm and cannot be changed.</p> <p>L<sub>l</sub> L can set a height low limit for the desktop if desired.</p> <p>L<sub>l</sub> H can set a new upper height limit for the desktop. It must be 115 cm or lower and should be at least 10 cm greater than L<sub>l</sub> L.</p>
6Hc	Height Control	01–02	<p>Press <b>M</b> to toggle between manual (01) automatic (02) height control.</p> <p>In manual mode, the <b>▲</b> and <b>▼</b> must be held down to continue movement.</p> <p>In automatic mode, pressing either button begins continuous movement until any key is pressed or the desk's high or low position is reached.</p>
7H	Bounce Height	05–20	<p>Press <b>M</b> to change the desktop's bounce height from 5–20 millimeters.</p>
8r	Restore Factory Defaults	FrE	<p>Press <b>M</b> twice to reset the desk to its factory default settings. RES will be displayed and the device should be reset as above.</p>
9d	Fatigue Test Mode	PR_	<p>This setting is only for product testing at the factory.</p>



## Error Codes

HOT	Allow 18 min. for the motor to cool. Ensure the ambient temp. does not exceed the desk's range. If the error is still displayed when the motor is well cooled, unplug the desk and then plug it in again.
RESET	Follow the reset procedure described above.
E01	Remove excessive weight from the desk. Check that all cables are correctly and firmly connected.
E06	Follow the reset procedure described above.
E07	Remove excessive weight from the desk.
E08	Ensure the power supply is within the correct voltage range and consistent.
E09	Ensure the power supply is within the correct voltage range and consistent.
E10	Check that the handset is well connected to the control box. Disconnect and reconnect it while the control box has power.

## CONTACT US

Thank you for your purchase! If you have any questions or concerns, don't hesitate to contact us at [help@cs-supportpro.com](mailto:help@cs-supportpro.com). We'll resolve your problem ASAP! Customers are always the best teachers to keep us growing!