

DESCRIPTION

- Brass construction with chrome plated finish
- 1/2" IPS connections
- 8" widespread
- 8" spout reach

OPERATION

- 4" wrist blade handles with hot and cold color indicators*
*Smooth handle models have hot and cold color indicator at torx head screw
- 1/4 turn to open (clockwise to close)
- Vandal resistant torx head screws

CARTRIDGE

- Brass shell, ceramic disc cartridge
- Nonmetallic/nonferrous and ceramic material

STANDARDS

- Third party certified to meet A112.18.1/CSA B125.1 and all applicable specifications referenced therein
- Certified to NSF 61/9
- Contains no more than 0.25% weighted average lead content
- Complies with California Proposition 65 and with the Federal Safe Drinking Water Act

- **ADA** for lever handles

WARRANTY

- Warranted for 5 years against material or manufacturing defects

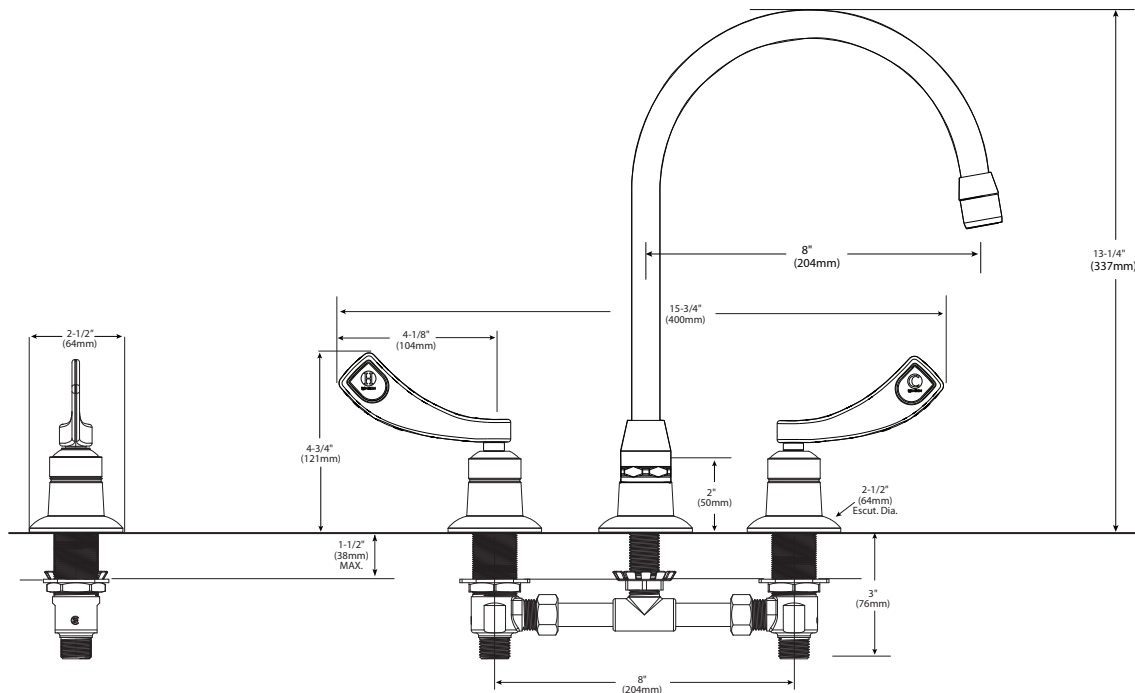
Two-Handle Bar/Pantry Faucet with Spout		
MODEL	FLOW (gpm/Lpm)	HANDLE STYLE
* 8225	2.2/8.3	Decal
* 8225SM	2.2/8.3	Smooth
❖ 8225SMF15	1.5/5.7	Smooth

* Includes optional 2.0 gpm (7.6 L/min) max. laminar flow spout base conversion kit

❖ Includes optional 1.5 gpm (5.7 L/min) max. laminar flow spout base conversion kit



NOTE: Designed to be installed through 3 holes - 1-9/32" min. dia.



CRITICAL DIMENSIONS

(DO NOT SCALE)