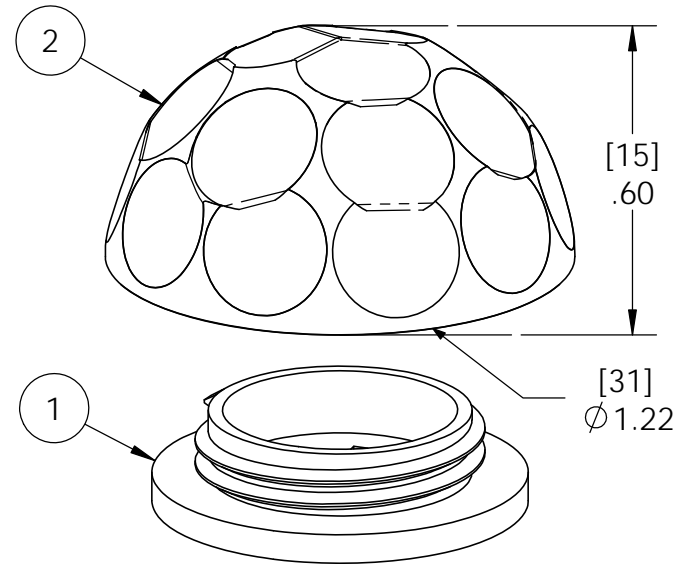
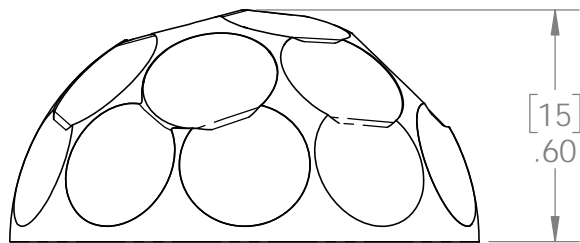
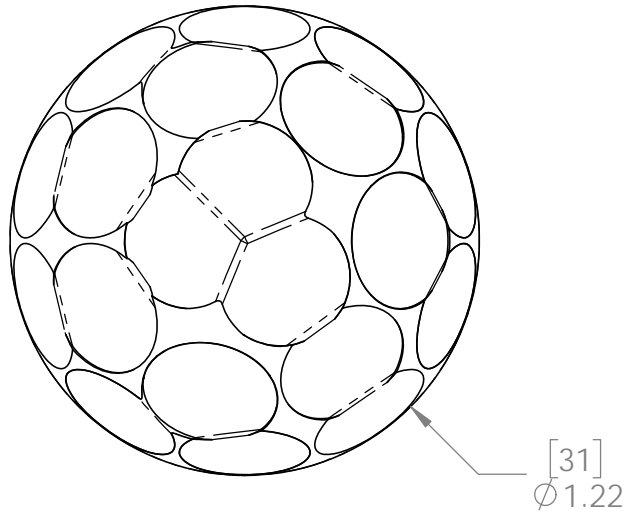


# Product & Packaging Specs

## 1-1/4" Hammered Dome Cap Nut

Item #: 56622

ITEM NO.	QTY.	PART NUMBER	DESCRIPTION
1	1	56622-12	Base, 1-1/4" Hammered Dome Cap Nut
2	1	56622-11	Nut, 1-1/4" Hammered Dome Cap

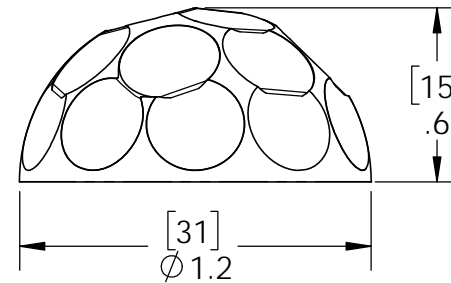
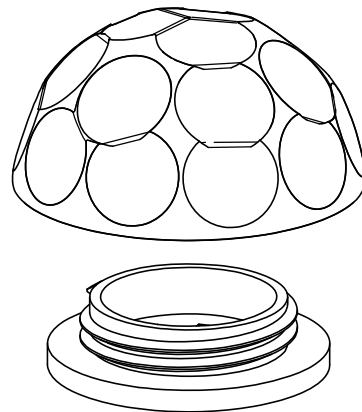


Weight: 0.04 LBS  
 Scale: 2:1  
 Last updated: 11/21/2016

# Product & Packaging Specs

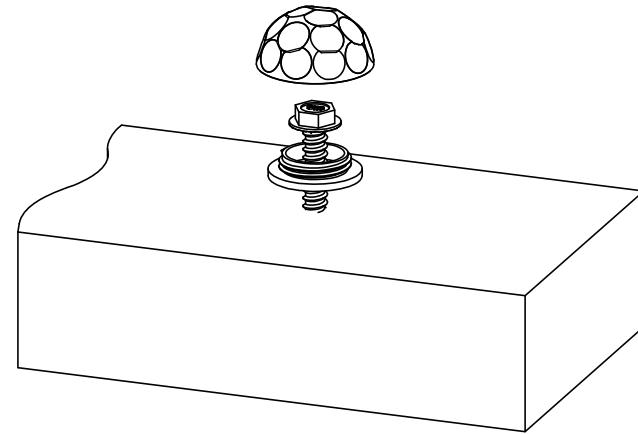
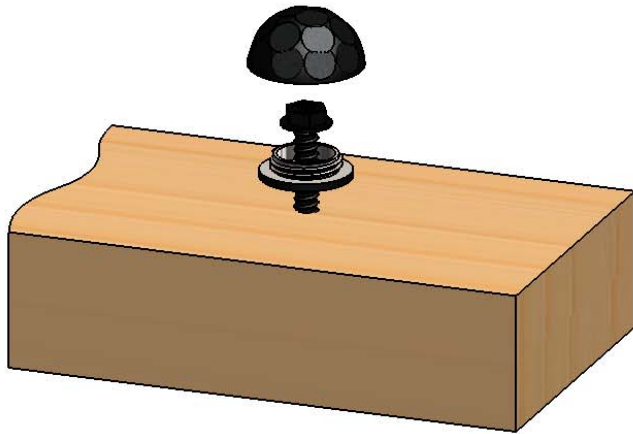
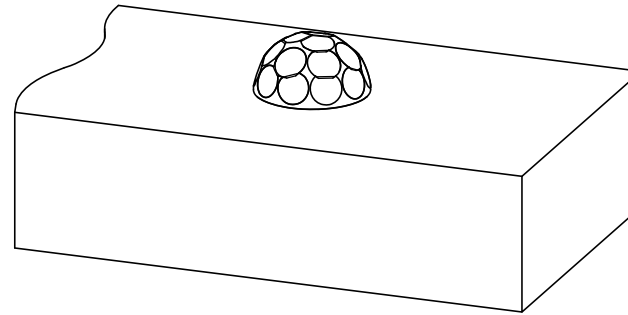
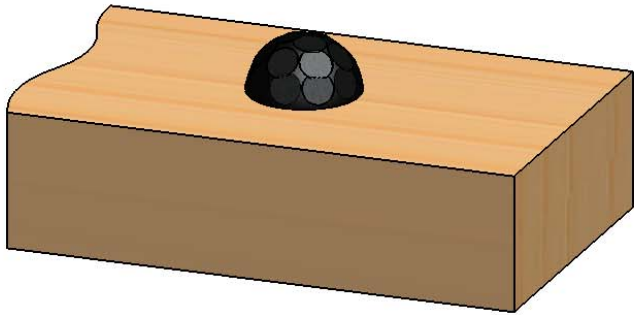
## 1-1/4" Hammered Dome Cap Nut

Item #: 56622



Weight: 0.04 LBS  
Scale: 1.5:1  
Last updated: 11/21/2016

56622-10



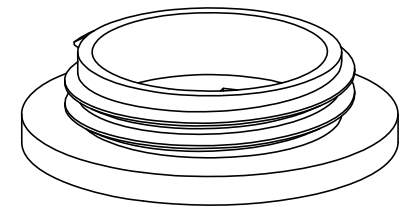
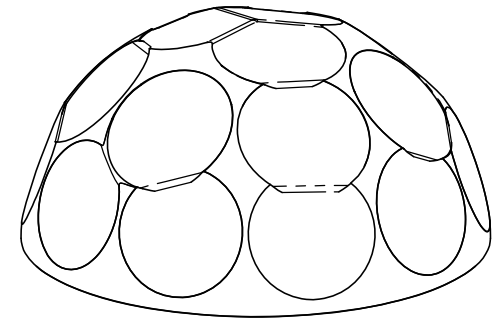
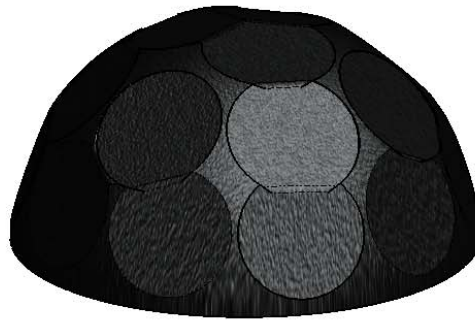
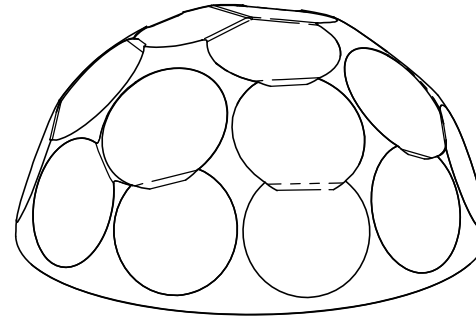
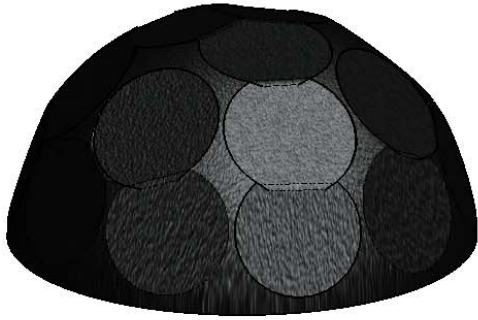
Weight: 0.04 LBS  
Scale: 2:1  
Last updated: 11/21/2016

56622-10

# Product & Packaging Specs

## 1-1/4" Hammered Dome Cap Nut

Item #: 56622



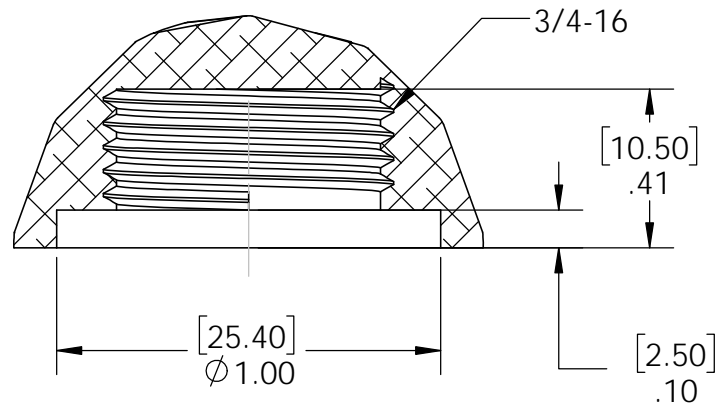
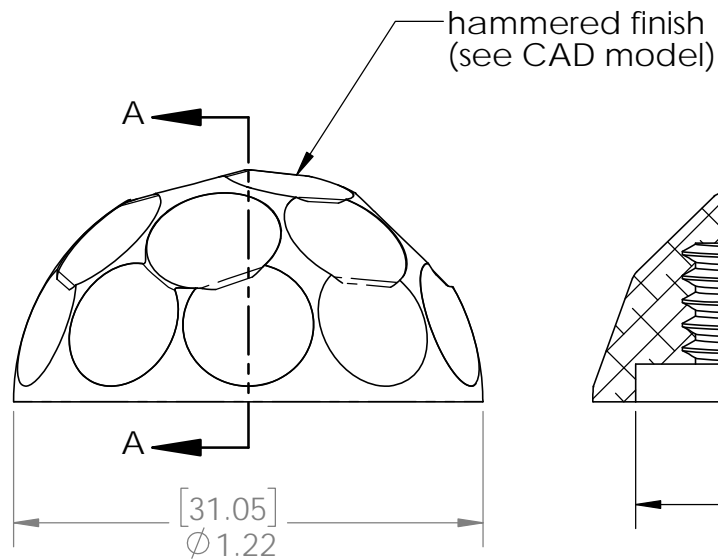
Weight: 0.04 LBS  
Scale: 2:1  
Last updated: 11/21/2016

56622-10

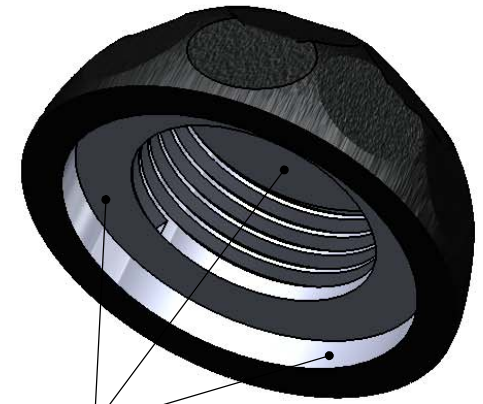
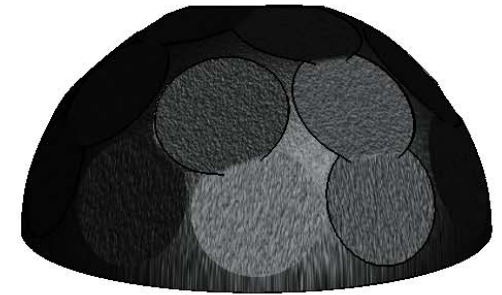
# Product & Packaging Specs

## Nut, 1-1/4" Hammered Dome Cap

Item #: 56622-11



SECTION A-A  
SCALE 2 : 1



no powder coat on  
internal features

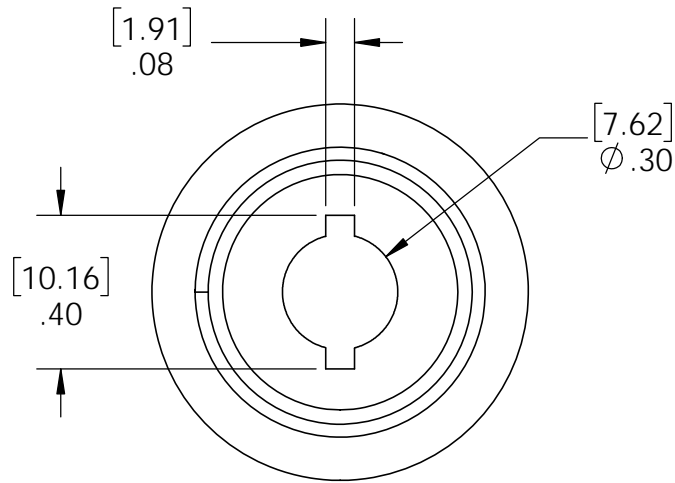
Material: 5052-H32  
 Finish: Black Powder Coat as shown  
 Weight: 0.02 LBS  
 Scale: 1:2  
 Last updated: 11/21/2016

56622-10

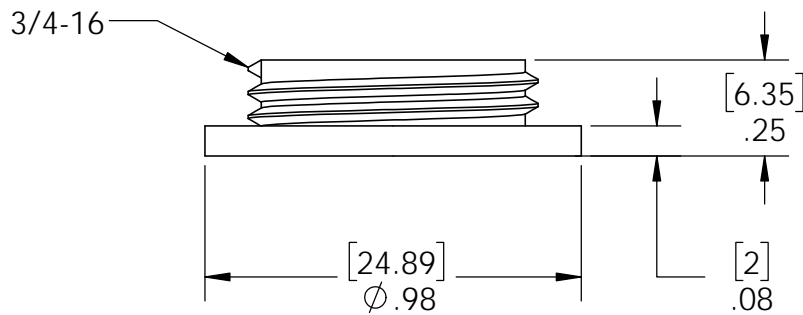
# Product & Packaging Specs

## Base, 1-1/4" Hammered Dome Cap Nut

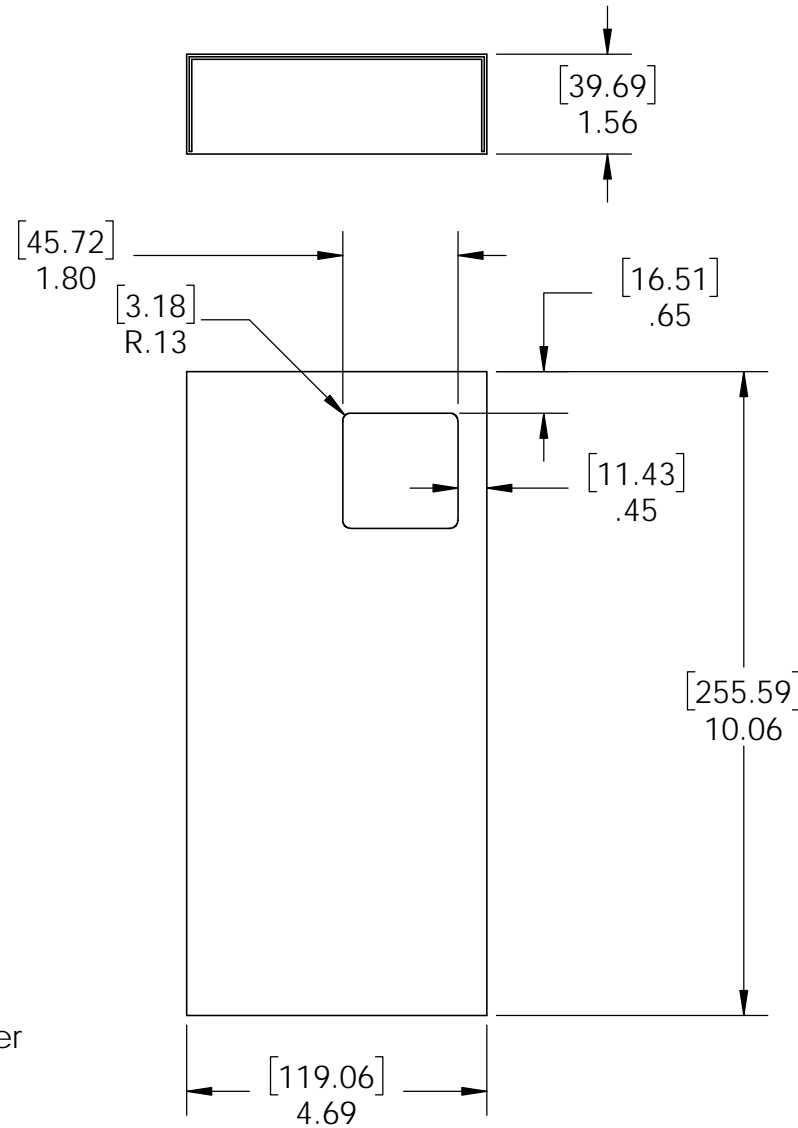
Item #: 56622-12



no powder coat on internal features



Material: Stainless Steel (ferritic)  
 Finish: Black Powder Coat as shown  
 Weight: 0.02 LBS  
 Scale: 1:2  
 Last updated: 11/21/2016



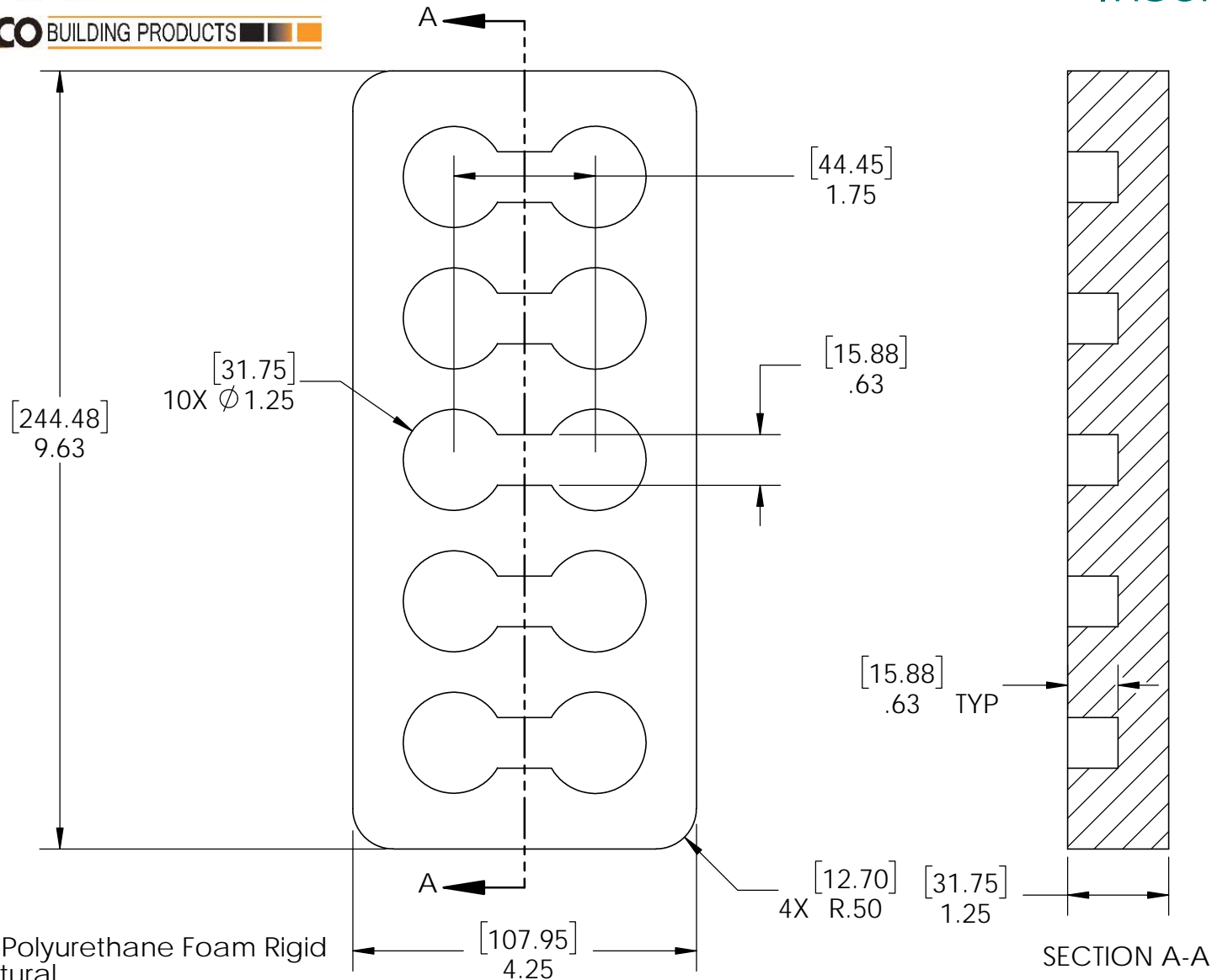
Material: Corrugated Paper  
 Finish:  
 Weight: 0.03 LBS  
 Scale: 1:3  
 Last updated: 11/21/2016

56622-10

# Product & Packaging Specs

Insert, DCN Box

Item #: Insert



Material: Polyurethane Foam Rigid  
 Finish: Natural  
 Weight: 0.24 LBS  
 Scale: 1:2  
 Last updated: 11/21/2016

56622-10





OZCO BUILDING PRODUCTS

# Product & Packaging Specs

56622 Packing

Item #: Box packing



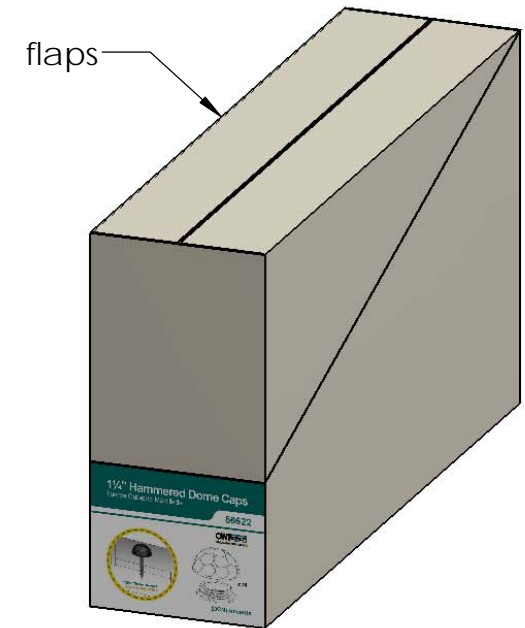
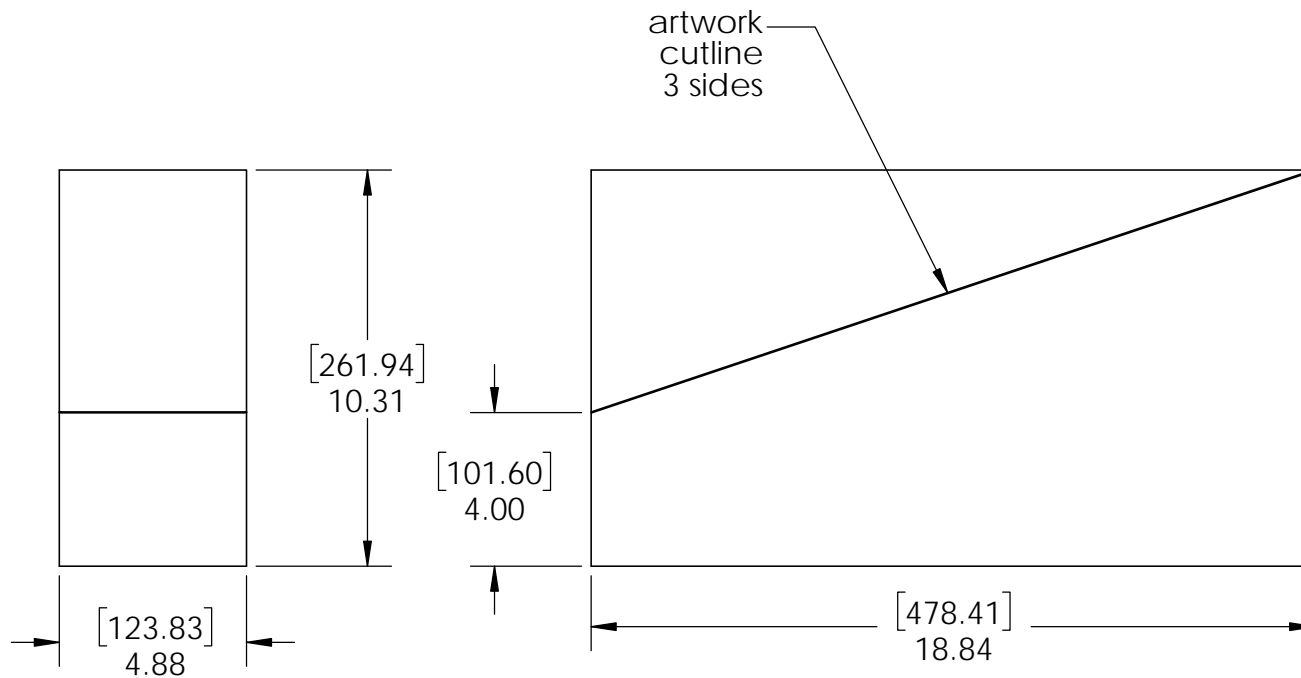
ITEM NO.	QTY.	PART NUMBER	DESCRIPTION
1	1	56622	1-1/4" Hammered Dome Cap Nut
2	1	Box, 56622	Box, DCN
3	1	Insert, DCN	Insert, DCN Box

Weight: 0.72 LBS

Scale: 1:2

Last updated: 11/21/2016

56622-10



Material: Corrugated Paper  
 Finish: See artwork  
 Weight: 0.15 LBS  
 Scale: 1:5  
 Last updated: 11/21/2016

56622-10

# Product & Packaging Specs

## 56622 Packing

Item #: Case packing



Weight: 14.4 LBS  
 Scale: 1:3  
 Last updated: 11/21/2016

56622-10



OZCO BUILDING PRODUCTS

# Product & Packaging Specs

## 56622 Packing

Item #: Pallet packing

Item #: **56622** | **HDCN**

**Hammered Dome Cap Nut**

**PALLET** | **240 pcs**

SKU#: 56822



Made in China

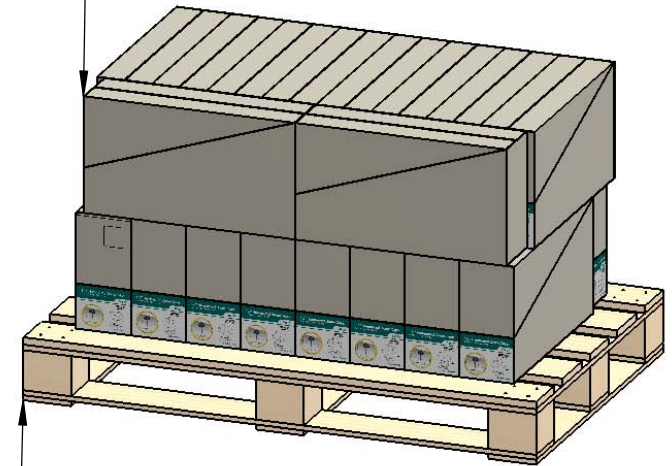
Weight: 161 lbs

LOT#

Priority#



Total number of cases: 20  
Total number of pieces:  
20X12=240 pieces on pallet

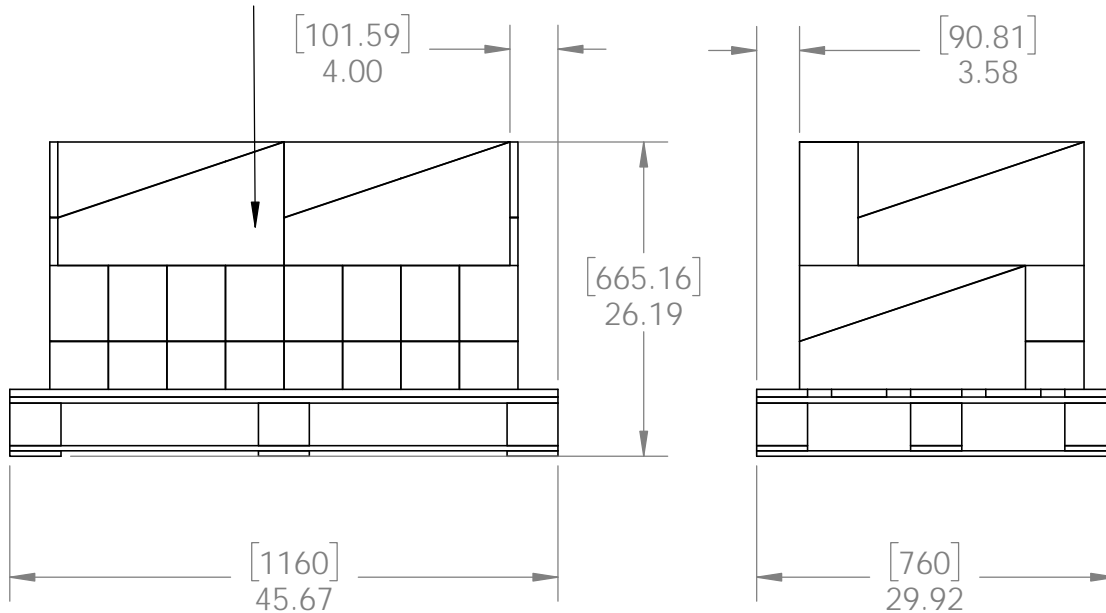


A pallet



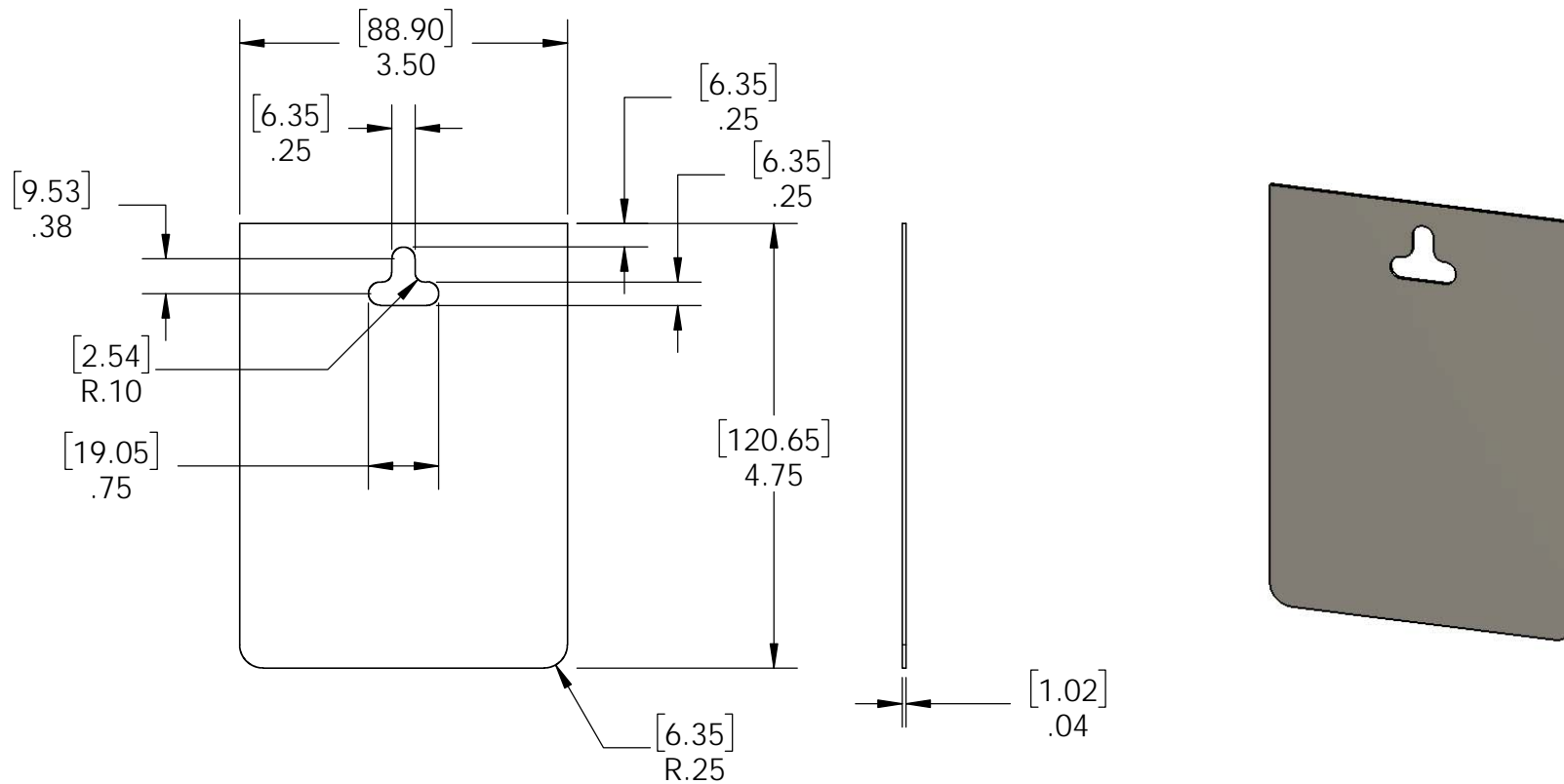
### additional pallet packing instructions

- plywood on top layer
- strap to pallet
- clear wrap around boxes



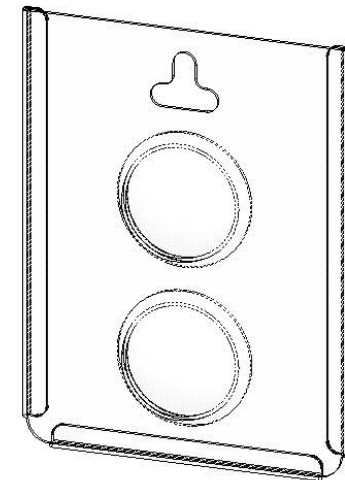
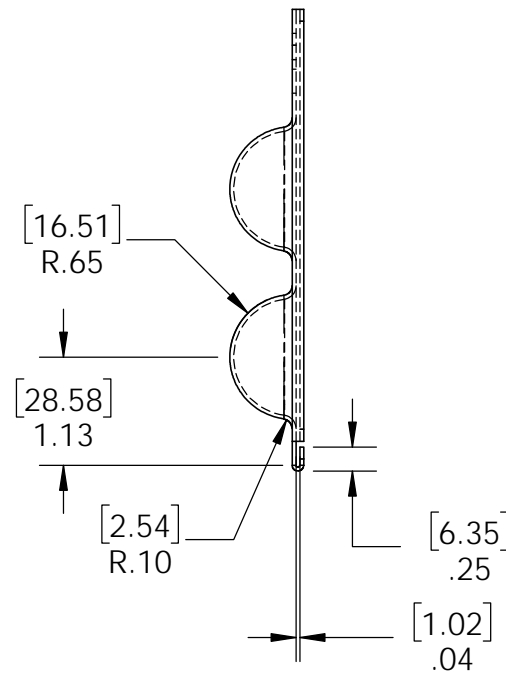
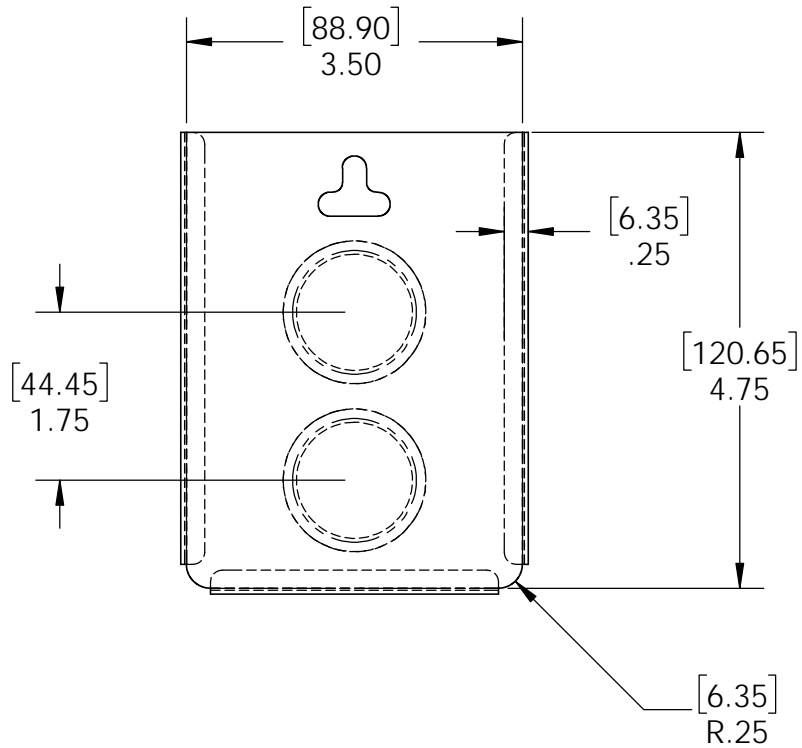
Weight: 161 LBS  
Scale: 1:2  
Last updated: 11/21/2016

56622-10



Material: Corrugated Paper  
 Finish: see artwork  
 Weight: 0.00 LBS  
 Scale: 1:2  
 Last updated: 11/21/2016

56622-10



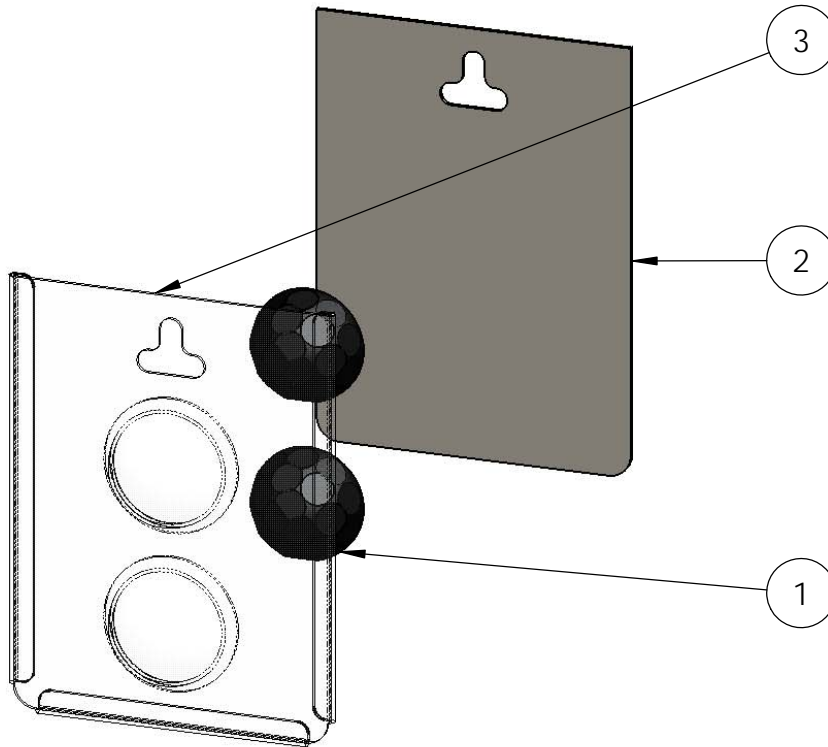
Material: Corrugated Paper  
Finish: see artwork  
Weight: 0.00 LBS  
Scale: 1:2  
Last updated: 11/21/2016

56622-10

# Product & Packaging Specs

## 86622 Packing

Item #: Blister Packing



ITEM NO.	QTY.	PART NUMBER	DESCRIPTION
1	0.2	56622	1-1/4" Hammered Dome Cap Nut
2	1	Box, 86622	Box, 86622
3	1	Box, 86622	Box, 86622

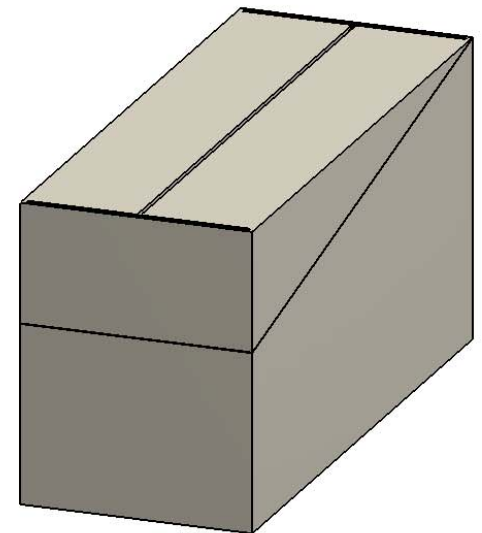
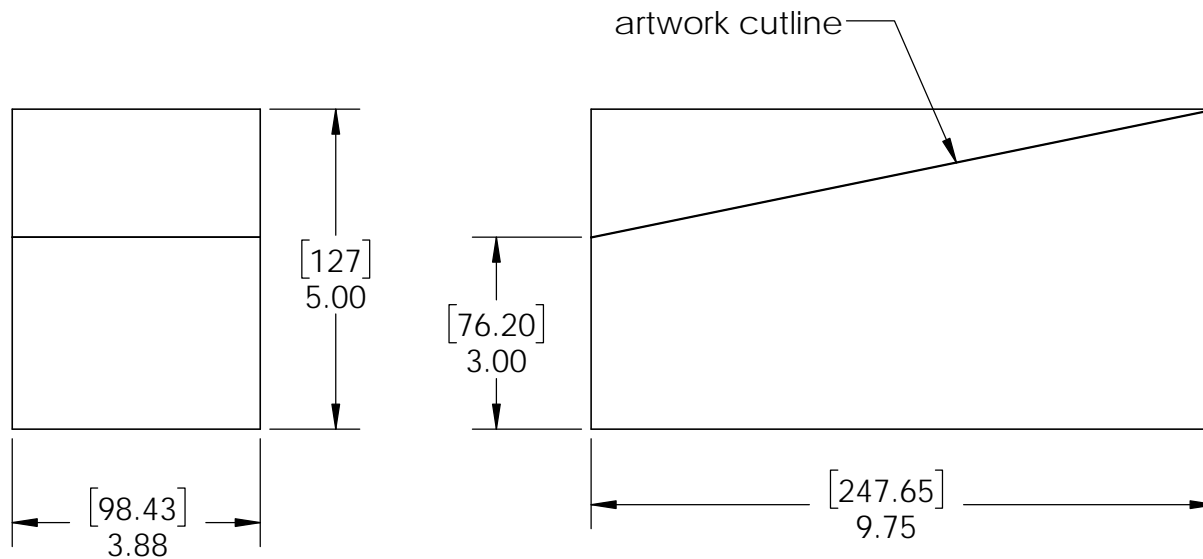
Weight: 18.96 LBS  
 Scale: 1:2  
 Last updated: 11/21/2016

56622-10

# Product & Packaging Specs

Case, 86622

Item #: Case



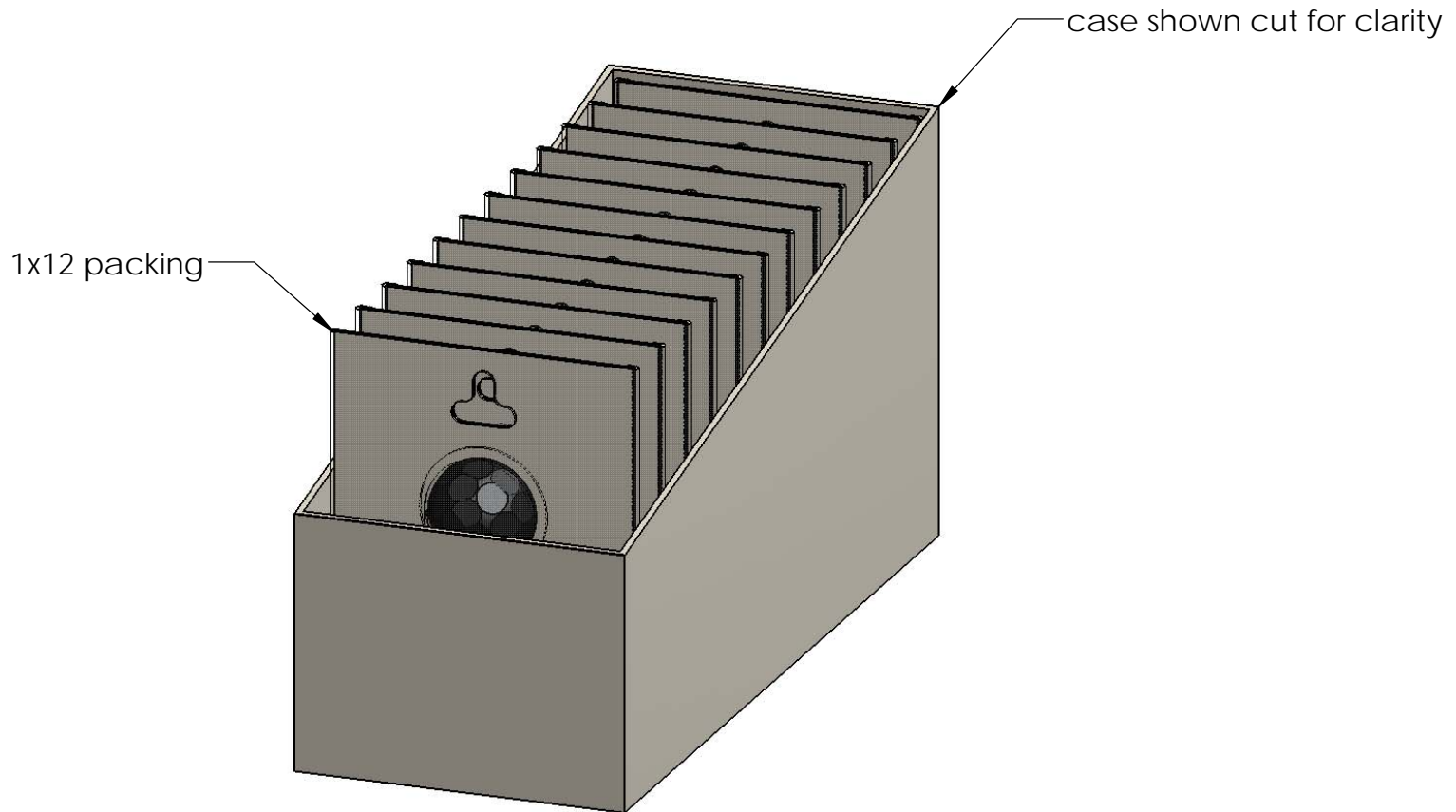
Material: Corrugated Paper  
Finish: see artwork  
Weight: 0.09 LBS  
Scale: 1:3  
Last updated: 11/21/2016

56622-10



# Product & Packaging Specs

86622 Packing  
Item #: Case Packing

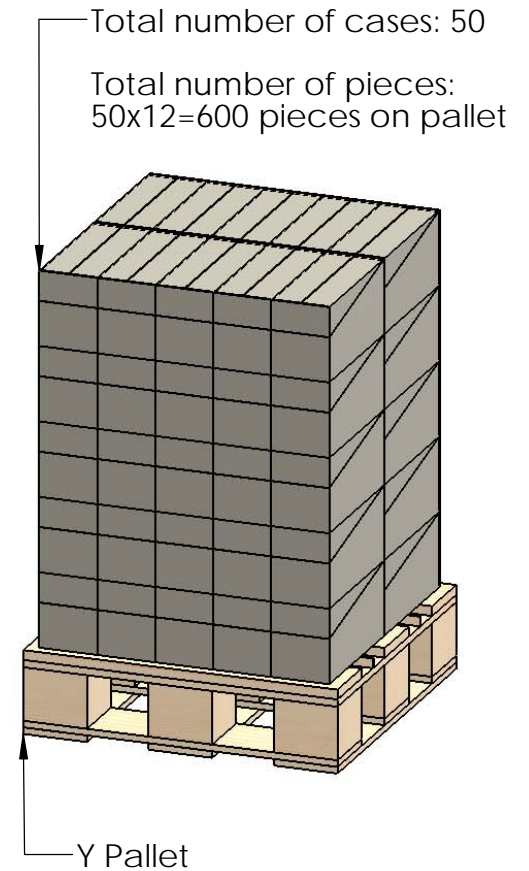
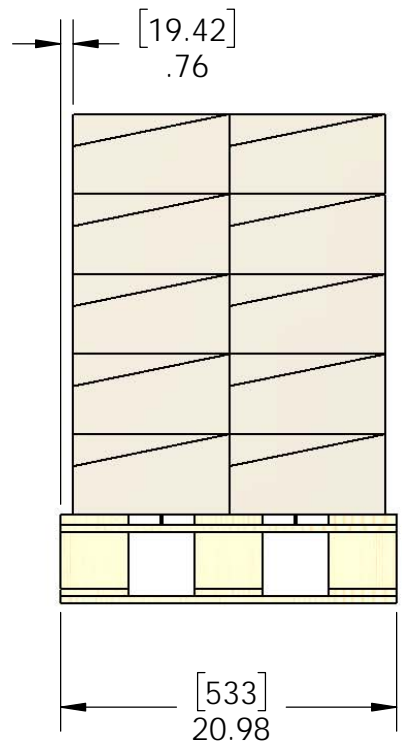
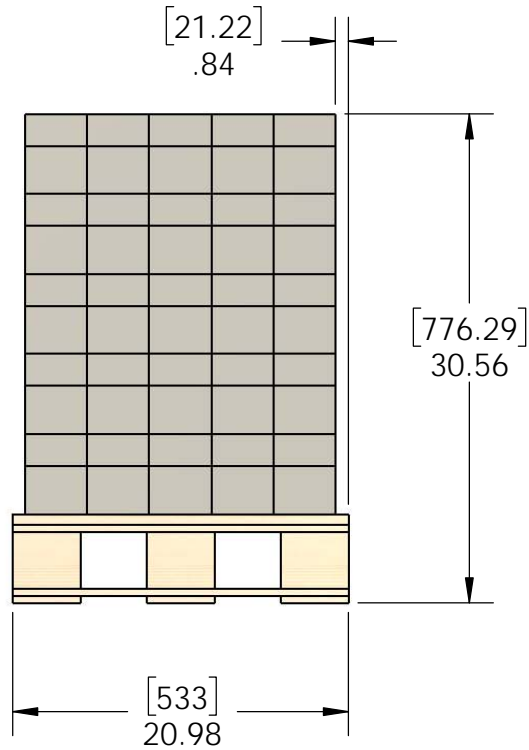


Weight: 18.96 LBS  
Scale: 1:2  
Last updated: 11/21/2016

56622-10

# Product & Packaging Specs

86622 Packing  
 Item #: Pallet Packing



Weight: 110 LBS  
 Scale: 1:12  
 Last updated: 11/21/2016

- additional pallet packing instructions
- plywood on top layer
  - strap to pallet
  - clear wrap around boxes