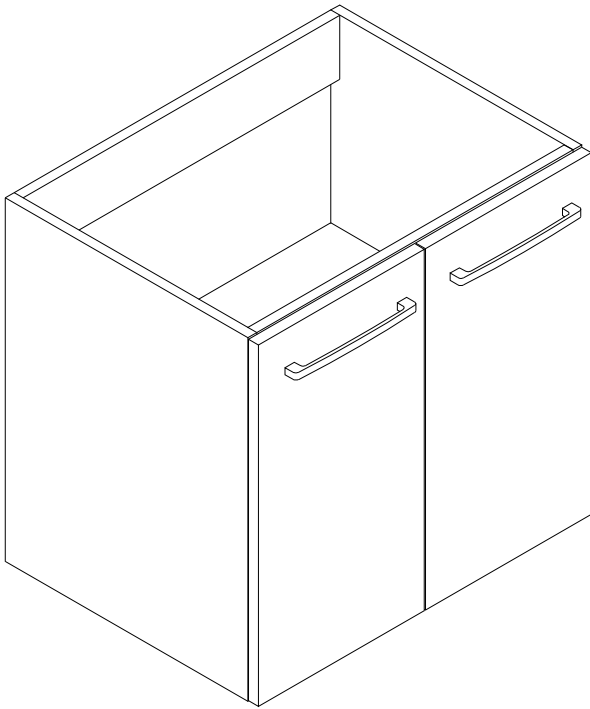


US 18

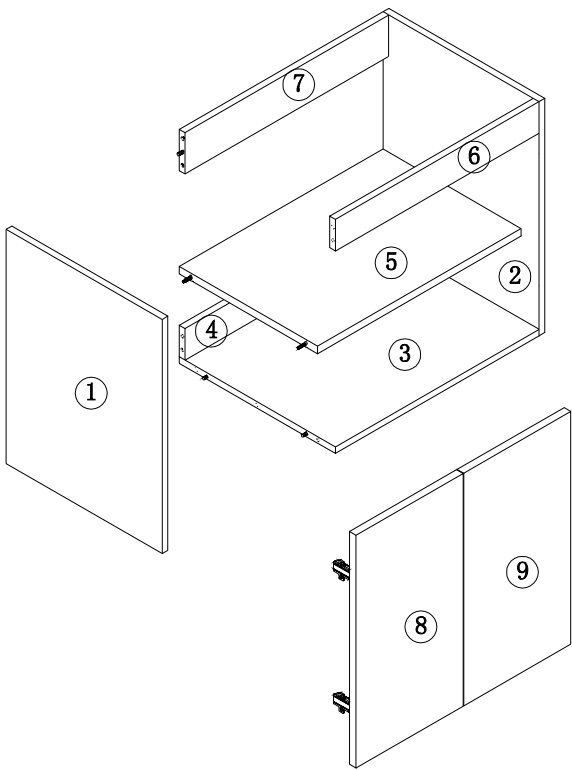
DIMENSIONS



PARTS LIST

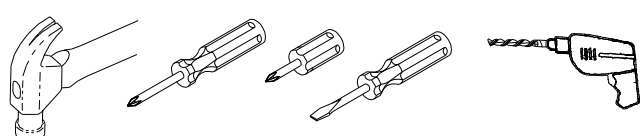
PARTS LIST			HARDWARE LIST		
NO	DESCRIPTION	QTY	NO	DESCRIPTION	QTY
①		1	A		12
②		1	B		12
③		1	C		12
④		1	D		10
⑤		1	E		4
⑥		1	F		4
⑦		1	G		4
⑧		1	H		40
⑨		1	I		4
			J		2
			K		2

ASSEMBLY DIAGRAM



CAUTION: Please confirm the parts list before installation

YOU MAY NEED (NOT SUPPLIED)



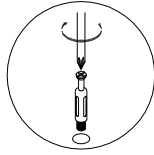
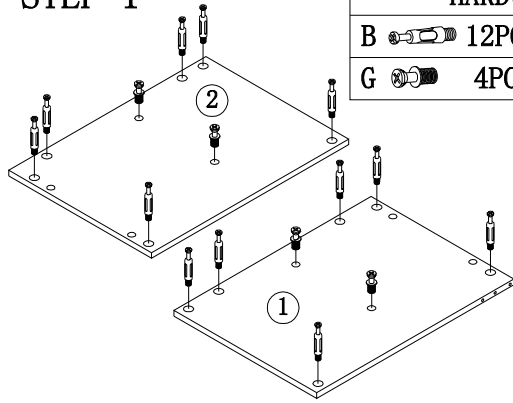
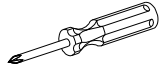
INSTALLATIONS

STEP 1

HARDWARE LIST

B  12PCS

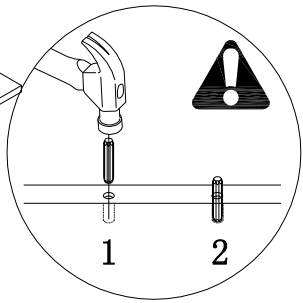
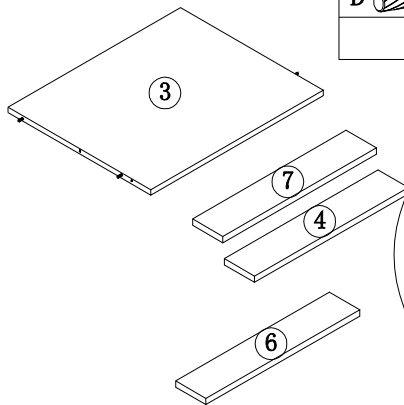
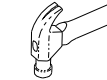
G  4PCS



STEP 2

HARDWARE LIST


D  6PCS

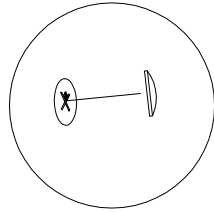
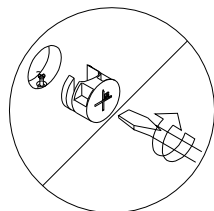
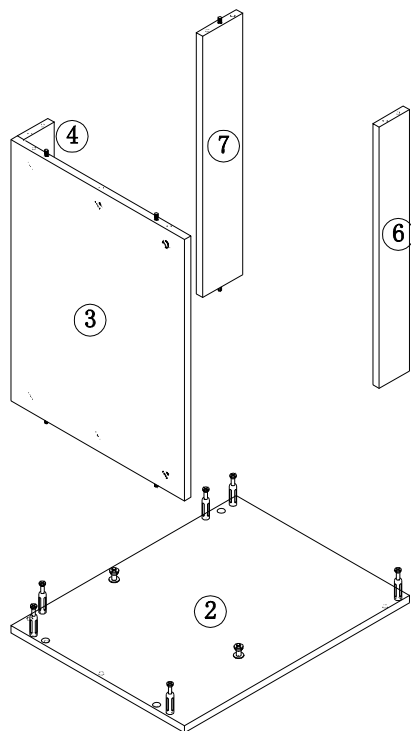
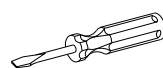


STEP 3

HARDWARE LIST

A  6PCS


C  6PCS

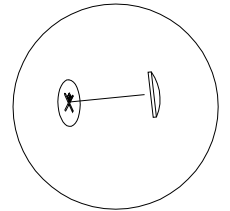
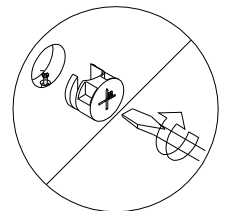
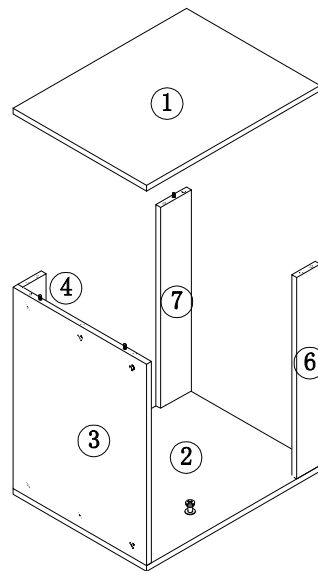
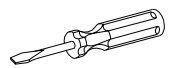


STEP 4

HARDWARE LIST

A  6PCS

C  6PCS

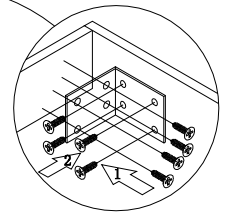
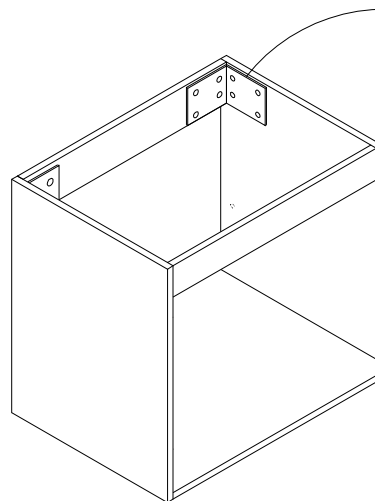
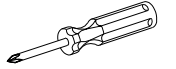


STEP 5

HARDWARE LIST

H  16PCS

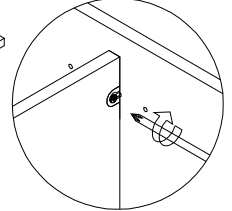
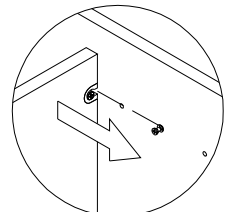
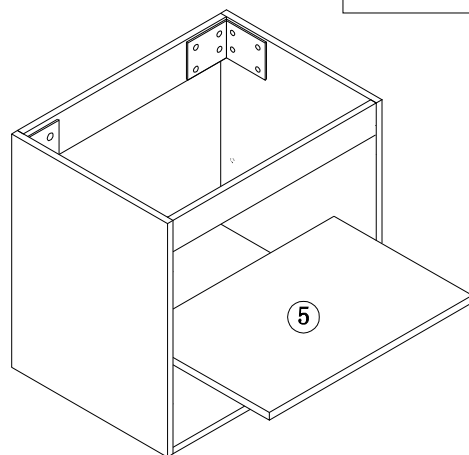
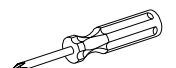
K  2PCS



STEP 6





HARDWARE LIST

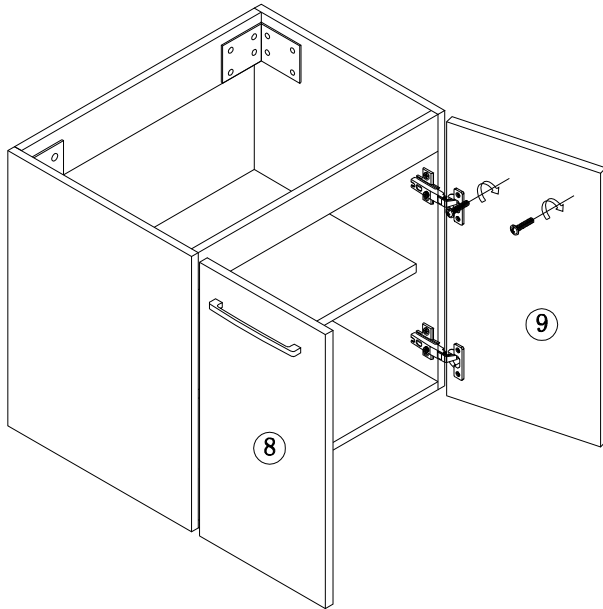
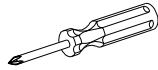
E  4PCS



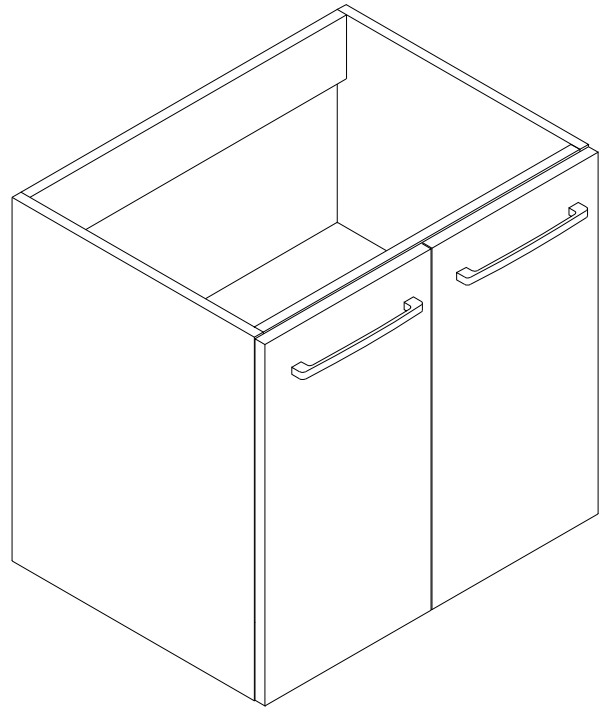
STEP 7

HARDWARE LIST

H		24PCS
J		2PCS
I		4PCS
F		4PCS



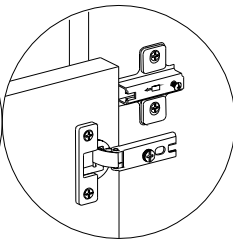
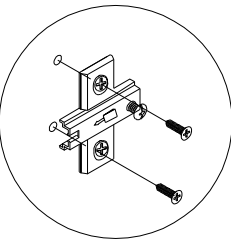
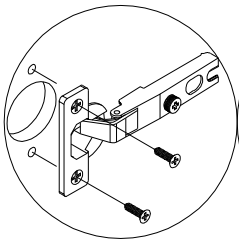
STEP 8



1

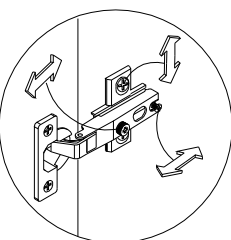
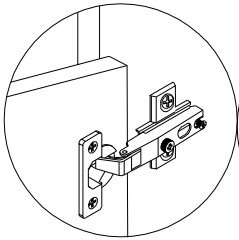
2

3



4

5





Choking hazard-Small Parts : This unit contains small parts, not for children under 3 years.

Tip-over hazard : Secure finished unit to wall stud using L-Bracket and wall screw (#10*1.5"W/out provided). If a wall stud is not neccessible ,Consault your local hardware store for appropriate mounting hardware . Failure to properly install will result in product collapse or tip-over. Serious injury can occur .