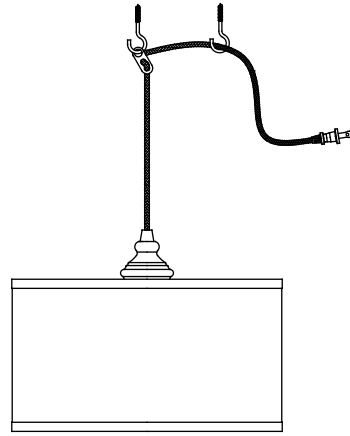




Item #*****
Model #ES4763OB4-D,
ES4763SBA-D

USE AND CARE GUIDE PENDANT FIXTURE



THANK YOU

We appreciate the trust and confidence you have placed in Hampton Bay through the purchase of this pendant fixture. We strive to continually create quality products designed to enhance your home. Visit us online to see our full line of products available for your home improvement needs. Thank you for choosing Hampton Bay!

Warranty

5-YEAR LIMITED WARRANTY

The manufacturer warrants this lighting fixture against defects in materials and workmanship for a period of five year(s) from the date of purchase. If within this period the product is found to be defective in material or workmanship, the product must be returned, with a copy of the bill of sale as proof of purchase, to the original place of purchase. The manufacturer will, at its option, repair, replace, or refund the purchase price to the original purchaser or consumer. This warranty does not cover light bulbs or the fixture becoming damaged due to misuse, accidental damage, improper handling and/or installation, and specifically excludes liability for direct, incidental, or consequential damages. Some states do not allow exclusions or limitations on an implied warranty, so the above exclusions and limitations may not apply. This warranty gives you specific rights and you may also have other rights that vary from state to state.

Contact the Customer Service Team at 1-877-527-0313 or visit www.homedepot.com.



Questions, problems, missing parts? Before returning to store, call Commercial Electric Customer Service
8 a.m. - 6 p.m., EST, Monday - Friday

1-877-527-0313

HOMEDEPOT.COM

Retain this manual for future use.

Safety Information

IMPORTANT SAFETY INSTRUCTIONS (Save These Instructions)

- This portable luminaire has a polarized plug (one blade is wider than the other) as a feature to reduce the risk of electric shock. This plug will fit only one way into a polarized outlet. If the plug does not insert fully into the outlet, reverse the plug. If it still does not fit, contact a qualified electrician for assistance. Never use this product with an extension cord unless the plug can be fully inserted. Do not alter the plug in any way, as serious injury or damage may result.
- Make sure the power is turned off at the electrical panel box before beginning your installation. Turning the power off at the wall switch is not sufficient to prevent electrical shock.
- Read all instructions prior to beginning the installation process.
- All electrical connections must be in accordance with local codes and the National Electrical Code. If you are unfamiliar with methods of installing electrical wiring, secure the services of a qualified licensed electrician.

WARNING: Do not install this lighting system in a wet location.

CAUTION: Turn off/unplug the light and allow it to cool before replacing the bulb.

CAUTION: Keep the lamp away from materials that may burn.

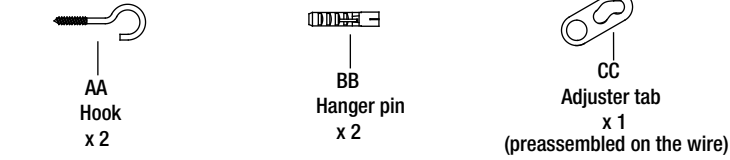
Pre-Installation

TOOLS REQUIRED



HARDWARE INCLUDED

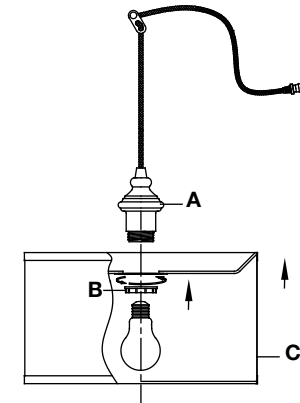
NOTE: Hardware not shown to actual size.



Installation

1 Installing the shade and bulb

- Unscrew the socket ring (B) from the fixture body (A).
- Place the fabric shade (C) over the fixture body (A).
- Screw the socket ring (B) back onto the fixture body (A) to secure the shade (B) in place.
- Install the bulb (not included) into the bulb socket on the fixture body (A).

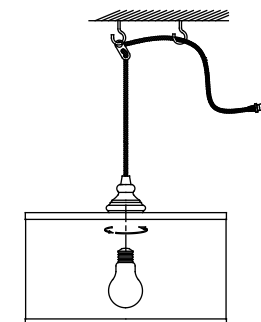


Maintenance

REPLACING THE BULB

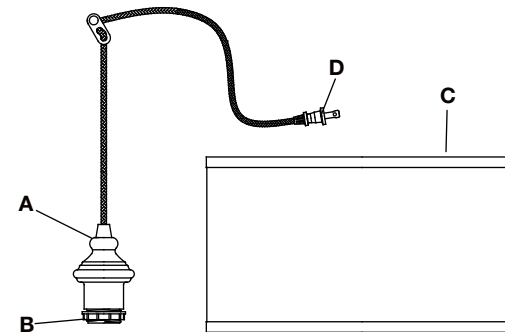
CAUTION: Refer to the re-lamping label located on the fixture. Do not exceed the recommended wattage.

- Turn off the power to the light fixture.
- Remove the old light bulb, and install the new light bulb.
- Restore power to the light fixture.



Pre-Installation

PACKAGE CONTENTS

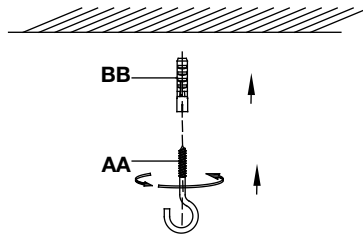


Part	Description	Quantity
A	Fixture body	1
B	Socket ring [preassembled on the fixture body (A)]	1
C	Fabric shade	1
D	Polarized plug	1

Installation

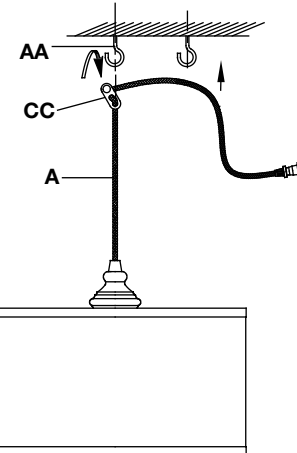
2 Installing the hardware

- Install the hanger pins (BB) in the desired locations using the drill and hammer (not included.)
- Install the hooks (AA) into the hanger pins (BB).



3 Installing the fixture body

- Adjust the height of the adjuster tab (CC) to the desired location.
- Hang the adjuster tab (CC) on the hook (AA).



Care and Cleaning

CAUTION: Do not use chemical solvents or harsh abrasives to clean the fixture or components, as damage may occur.

- To clean the fixture, unplug it from the outlet.
- Use a dry or slightly dampened, clean cloth (use clean water, never use a solvent) to wipe the interior and exterior surfaces of the fixture.
- Allow the fixture to dry completely before power is restored.

Troubleshooting

Problem	Possible Cause	Solution
The light bulb will not illuminate.	The light bulb is burned out.	Replace the light bulb.
	The power is off.	Make sure the power supply is on.
	There is a faulty wire connection.	Check the wiring. Contact a qualified and licensed electrician if you are not comfortable troubleshooting wiring problems.
	There is a faulty switch.	Test or replace the switch.
The fuse blows or the circuit breaker trips when the light bulb is illuminated.	There are crossed wires, or the power wire is not properly grounded.	Check the wire connections.