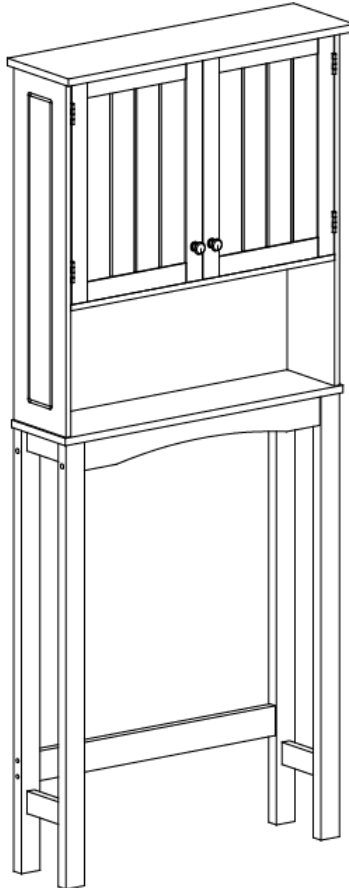




ASSEMBLY INSTRUCTIONS



RiverRidge® Ashland Spacesaver

ITEM #: 06-090 White

ITEM #: 06-091 Gray

ADULT ASSEMBLY REQUIRED

This product requires assembly by an adult because of small parts. Care should be taken in unpacking and assembling this item to keep small parts away from children. During assembly children should be kept away from the product due to possible risk of injury.

WARNING SEE FULL WARNING ON PAGE 2

Young children can be seriously injured or killed if furniture tips over. Don't use this item for a TV stand or place heavy objects on top of item. Always use angle-braces or anchors to secure furniture to the wall.

THIS SHELF UNIT WILL HOLD UP TO 20 POUNDS PER SHELF OR A TOTAL OF 60 POUNDS. DO NOT LOAD EACH SHELF WITH MORE THAN 20 POUNDS. IF LOADED WITH MORE THAN 20 POUNDS PER SHELF AS THIS MAY CAUSE DAMAGE TO THE SHELF AND MAY CAUSE SERIOUS INJURY OR DEATH.

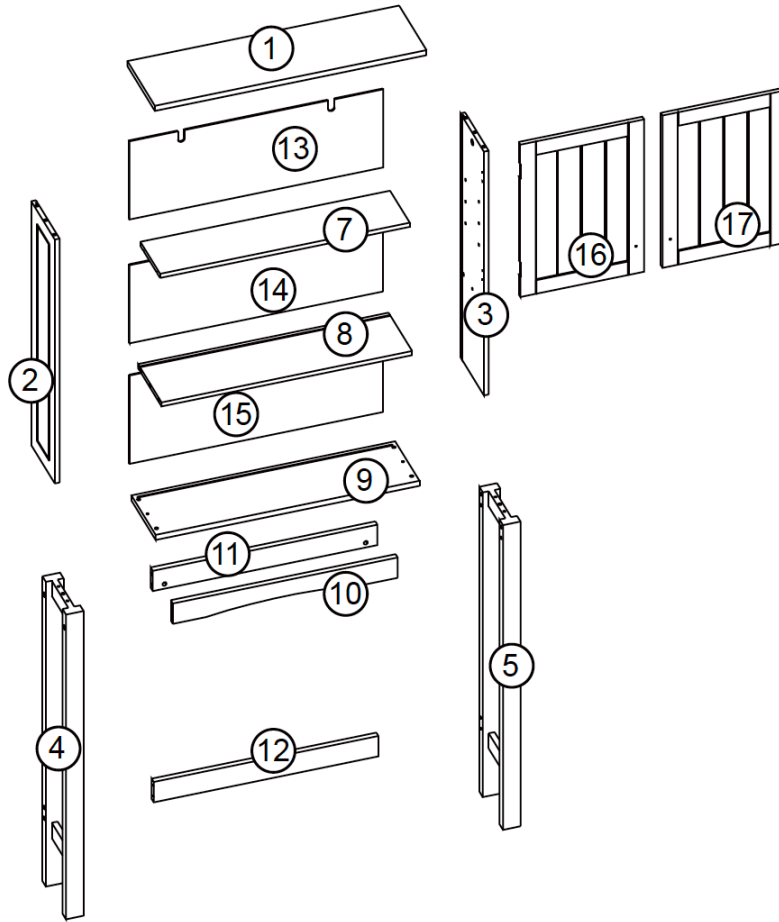


WARNING
















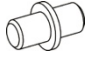


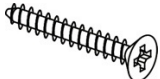


SERIOUS OR FATAL INJURIES CAN OCCUR FROM FURNITURE TIP-OVER. TO HELP PREVENT TIP-OVER:

- **Always use tip over restraints and/or wall anchors to secure furniture to the wall**
- **Place heaviest items in the lowest drawers/bins or shelves**
- **Do not set TV's or other heavy objects on the top of this product**
- **Never allow children to climb or hang on to the drawers/bins, doors or shelves of furniture**
- **Never open more than one drawer at a time or defeat or remove any drawer interlock system**

PARTS LIST



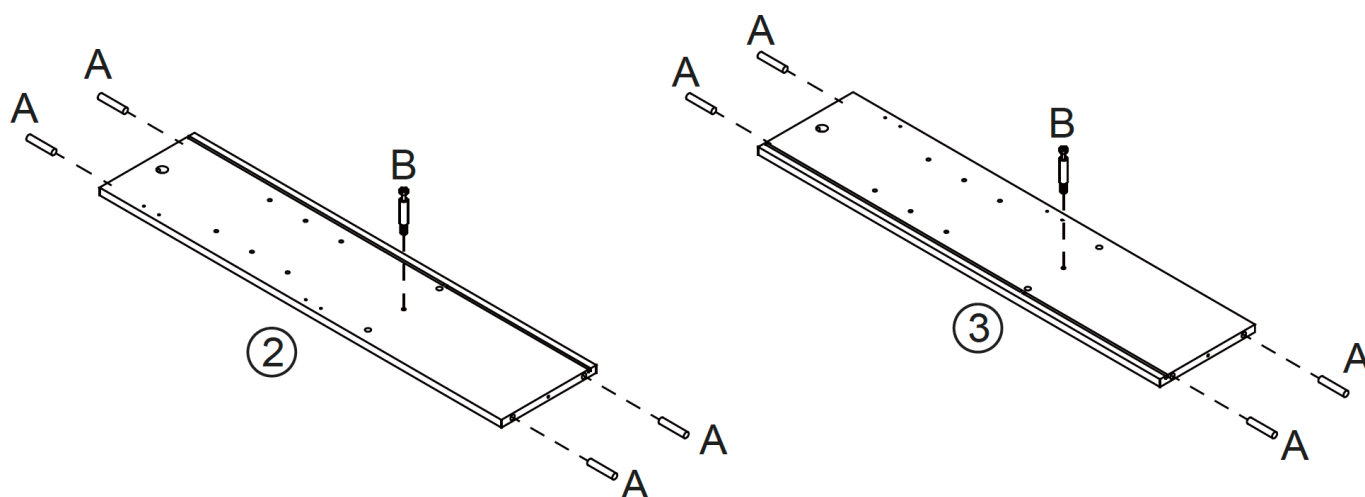
NO	QTY	DESCRIPTION
1	1PC	Top Board
2	1PC	Top Left Side Panel
3	1PC	Top Right Side Panel
4	1PC	Bottom Left Side Panel
5	1PC	Bottom Right Side Panel
7	1PC	Adjustable Shelf
8	1PC	Fixed Shelf
9	1PC	Middle Connection Board
10	1PC	Front Middle Cross Bar
11	1PC	Rear Middle Cross Bar
12	1PC	Rear Bottom Cross Bar
13	1PC	Upper Back Board
14	1PC	Middle Back Board
15	1PC	Lower Back Board
16	1PC	Left Door
17	1PC	Right Door

NO	PART	QTY	DESCRIPTION
A		18PCS	Wood Dowel
B		4PCS	Cam Bolt
C		4PCS	Cam Lock
D		6PCS	Screw (4x40mm)
E		4PCS	Screw (4x50mm)
F		4PCS	Machine Screw (6x65mm)
G		4PCS	Metal Nut
H		2PCS	Screw (3x14mm)
I		1PC	Allen Wrench
J		1PC	Magnet
K		2PCS	Magnet Plate
L		18PCS	Screw (3x10mm)
M		4PCS	Metal Hinge
N		2PCS	Machine Screw (4x15mm)
O		2PCS	Knob
P		4PCS	Shelf Holder
Q		2PCS	Plastic Anchor
R		1PC	Plastic Connection Strip
S		2PCS	Screw (4x30mm)
T		2PCS	Adjustable Anchor Bracket
U		2PCS	Screw (4x10mm)

**TOOLS NEEDED FOR ASSEMBLY: FLAT & PHILLIPS SCREWDRIVER (NOT INCLUDED)
THE USE OF A POWER SCREWDRIVER IS NOT RECOMMENDED FOR ASSEMBLY
DO NOT USE ITEM IF ANY PARTS ARE MISSING OR DAMAGED**

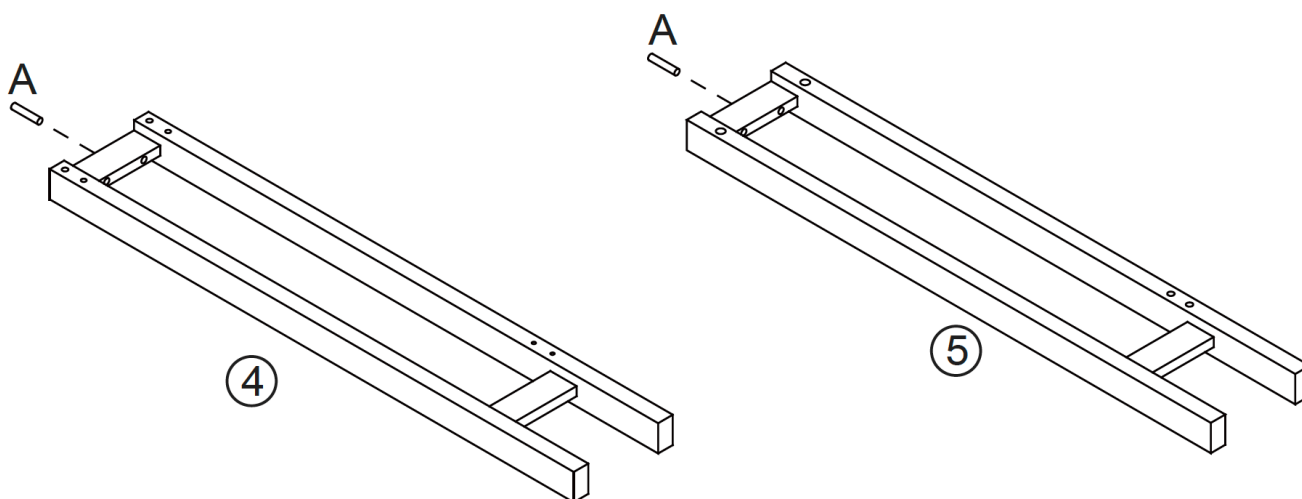
To order replacement parts at no cost to you, email customer.service@ssi-rr.com, call 1-(844)-223-5201 or order parts online at www.riverridgehome.com. Only valid in the United States. If purchased outside of the United States, please contact retailer where purchased.

STEP 1



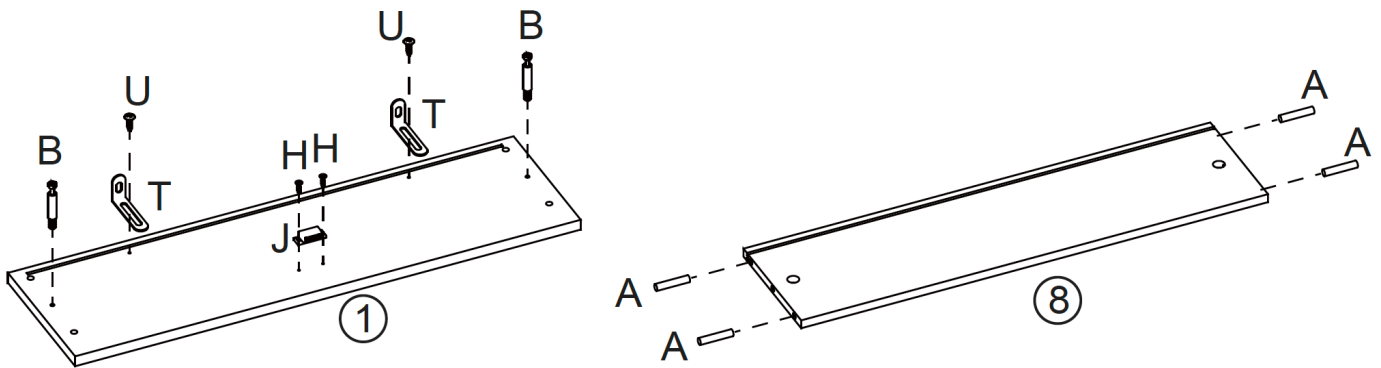
1. Screw 1 cam bolt (B) into cam bolt hole on top left side panel (2).
2. Insert 4 wood dowels (A) into dowel holes on end of top left side panel (2).
3. Repeat above steps for top right side panel (3).

STEP 2



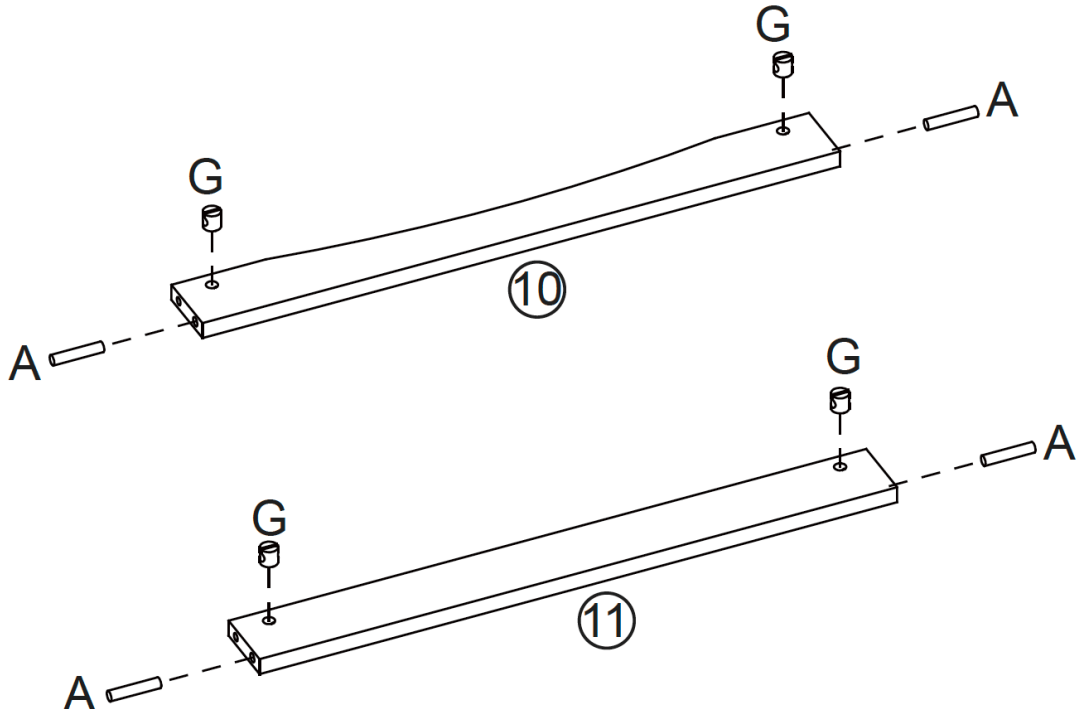
1. Insert 2 wood dowels (A) into dowel holes on bottom left side panel (4) and bottom right side panel (5).

STEP 3



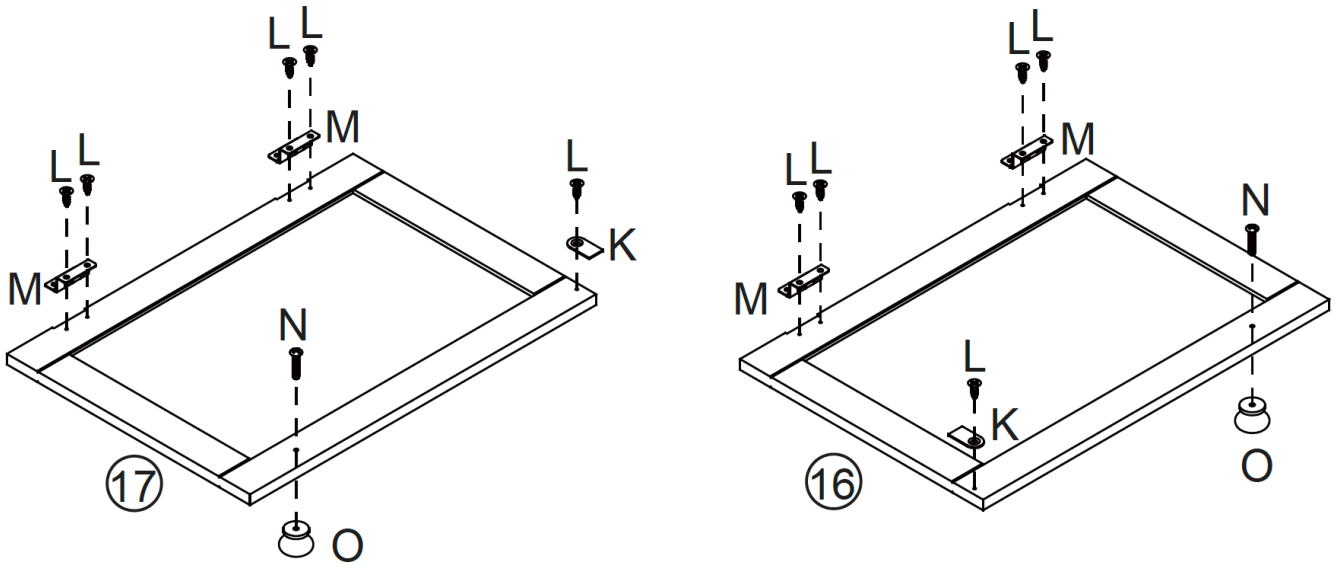
1. Attach 2 adjustable anchor brackets (T) to top board (1) by inserting 2 screws (U) through holes on adjustable anchor brackets (T), then tighten to top board (1).
2. Screw 2 cam bolts (B) into cam bolt holes on top board (1).
3. Attach magnet (J) to top board (1) by inserting 2 screws (H) through holes on magnet (J) and tighten to top board (1).
4. Insert 4 wood dowels (A) into dowel holes on end of fixed shelf (8).

STEP 4



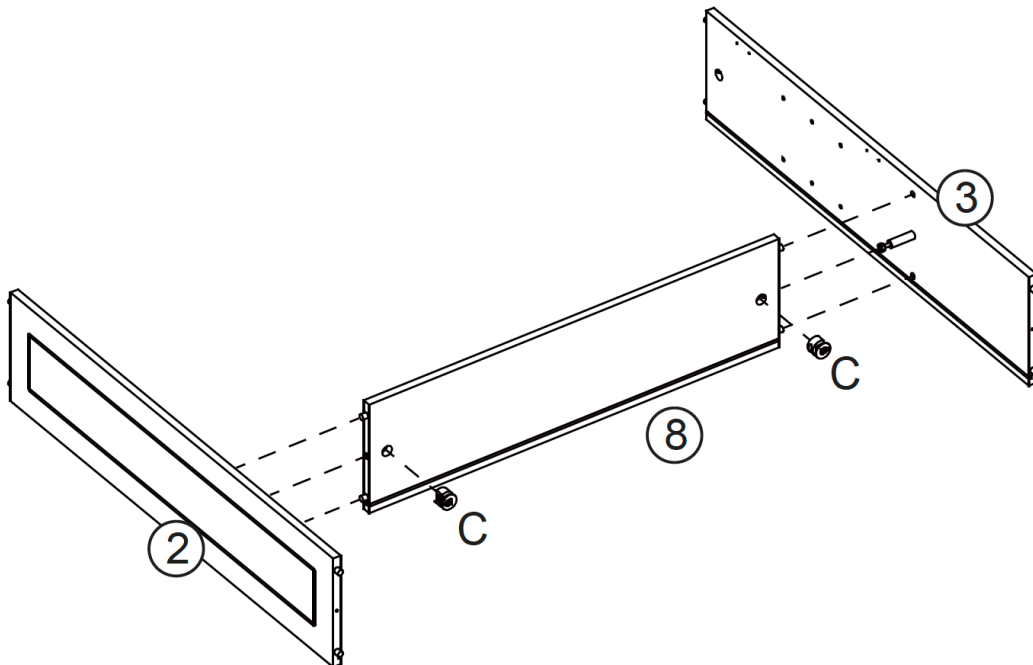
1. Insert 2 wood dowels (A) into dowel holes on end of front middle cross bar (10) and rear middle cross bar (11).
2. Insert 2 metal nuts (G) into holes on front middle cross bar (10) and rear middle cross bar (11).

STEP 5



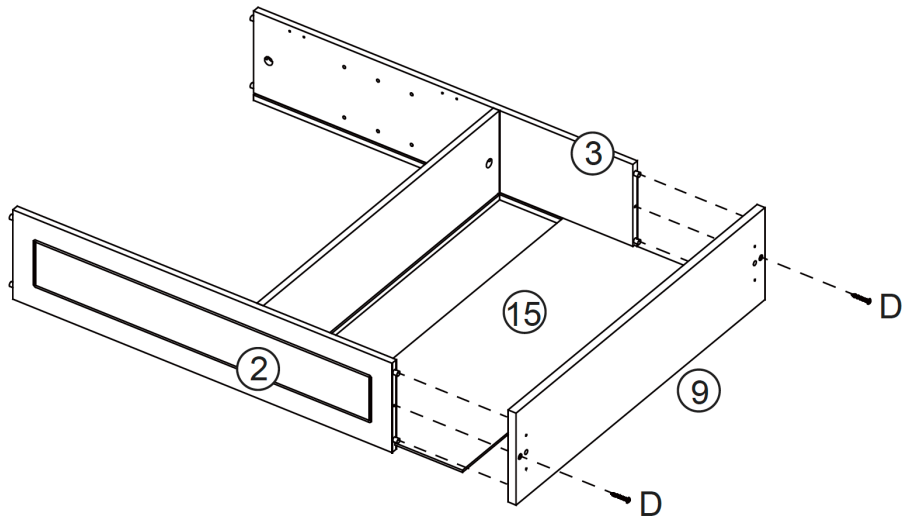
1. Attach magnet plate (K) to left door (16) by inserting 1 screw (L) through hole on magnet plate (K) and tighten to left door (16).
2. Attach 2 metal hinges (M) to left door (16) by inserting 4 screws (L) through holes on metal hinges (M) and tighten to left door (16).
3. Attach knob (O) to left door (16) by inserting 1 machine screw (N) through hole on left door (16) and tighten to knob (O).
4. Repeat above steps for right door (17).

STEP 6



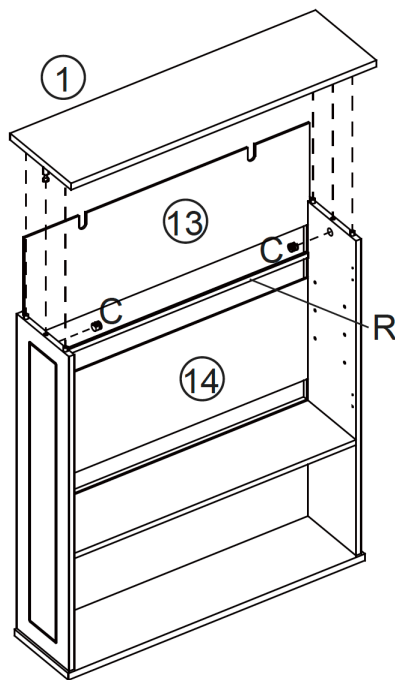
1. Attach top left side panel (2) and top right side panel (3) to fixed shelf (8) by inserting cam bolt (B) into cam lock hole and inserting wood dowels (A) into wood dowel holes.
2. Insert 2 cam locks (C) into cam lock holes on fixed shelf (8) and rotate clockwise to secure cam bolt in place.

STEP 7



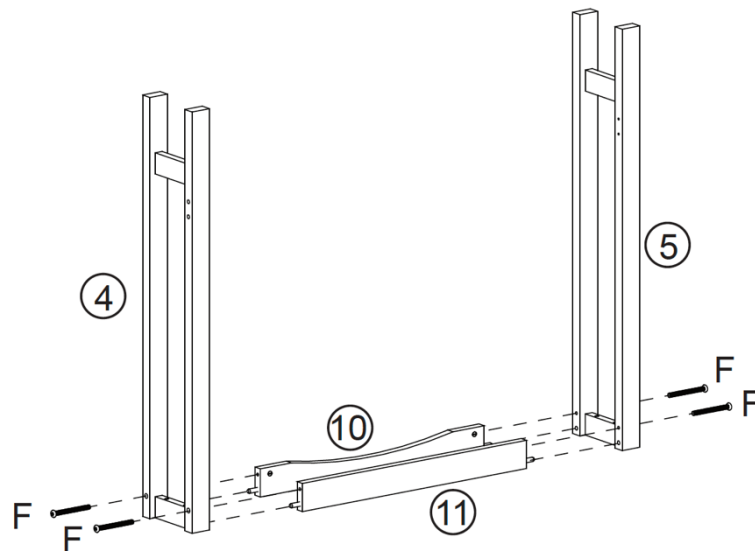
1. Slide lower back board (15) into grooves on top left side panel (2), top right side panel (3) and fixed shelf (8).
2. Attach middle connection board (9) to top left side panel (2), top right side panel (3) and lower back board (15) by inserting lower back board (15) into groove on middle connection board (9) and wood dowels into wood dowel holes on middle connection board (9).
3. Insert 2 wood screws (D) through holes on middle connection board (9) and tighten to top left side panel (2) and top right side panel (3).

STEP 8



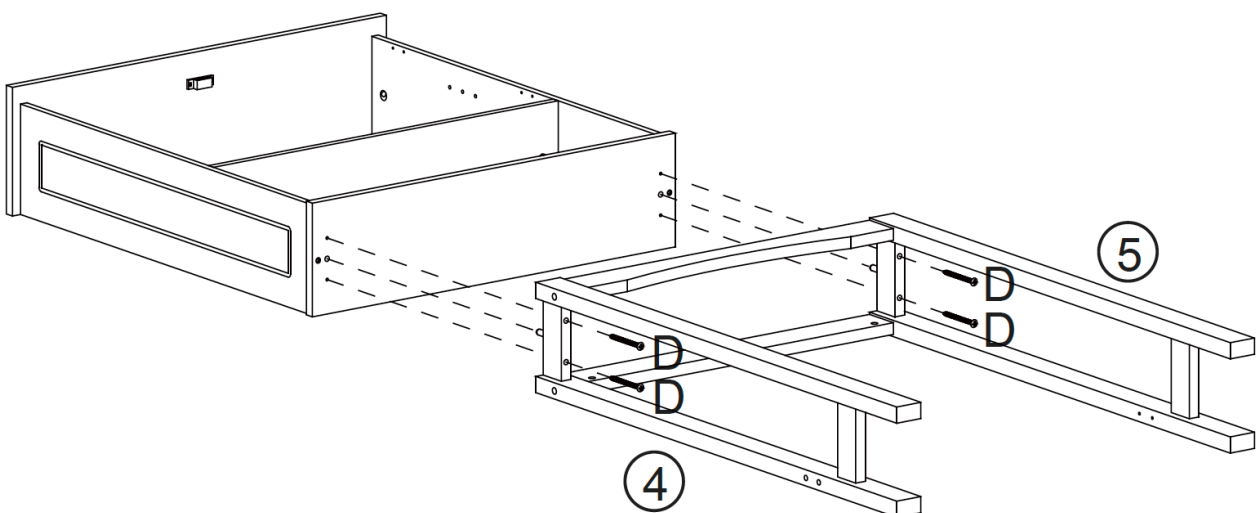
1. Slide middle back board (14) into grooves on top left side panel (2) and top right side panel (3).
2. Add 1 plastic connection strip (R) on middle back board (14) and slide upper back board (13) into grooves on top left side panel (2) and top right side panel (3).
3. Attach top board (1) to top left side panel (2), top right side panel (3) and upper back board (13) by inserting upper back board (13) into groove on top board (1) and wood dowels into wood dowel holes on top board (1).
4. Insert 2 cam locks (C) into cam lock holes on top left side panel (2) and top right side panel (3) and rotate clockwise to secure cam bolts in place.

STEP 9



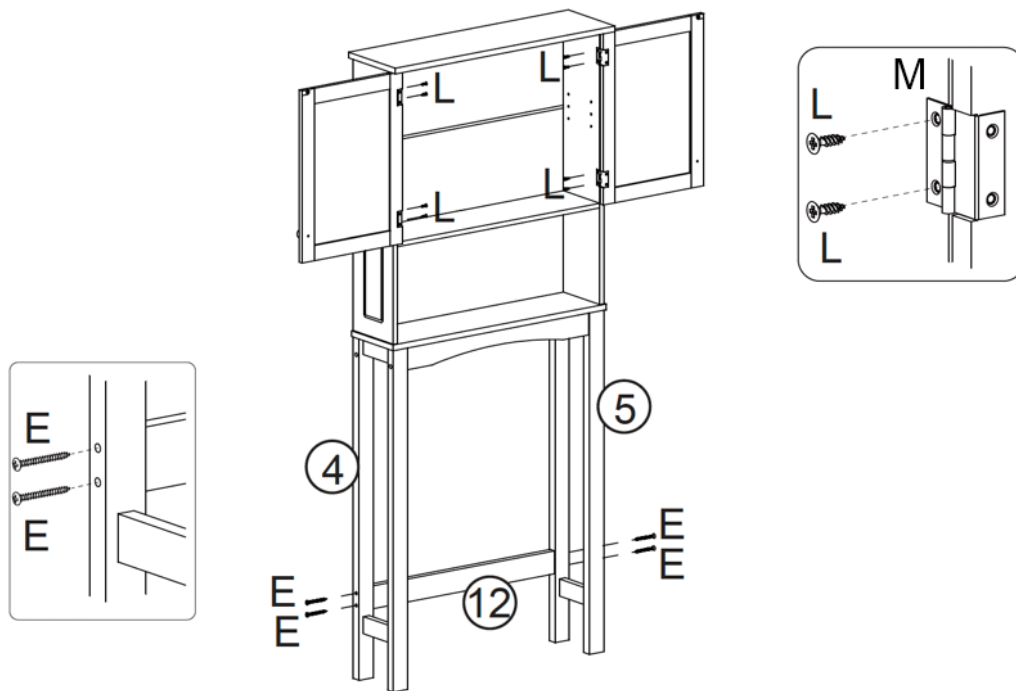
1. Attach front middle cross bar (10) and rear middle cross bar (11) to bottom left side panel (4) and bottom right side panel (5) by inserting wood dowels (A) into wood dowel holes on bottom left side panel (4) and bottom right side panel (5).
2. Insert 4 machine screws (F) through holes on bottom left side panel (4) and bottom right side panel (5) then tighten to the metal nuts (G) using Allen wrench (I).

STEP 10



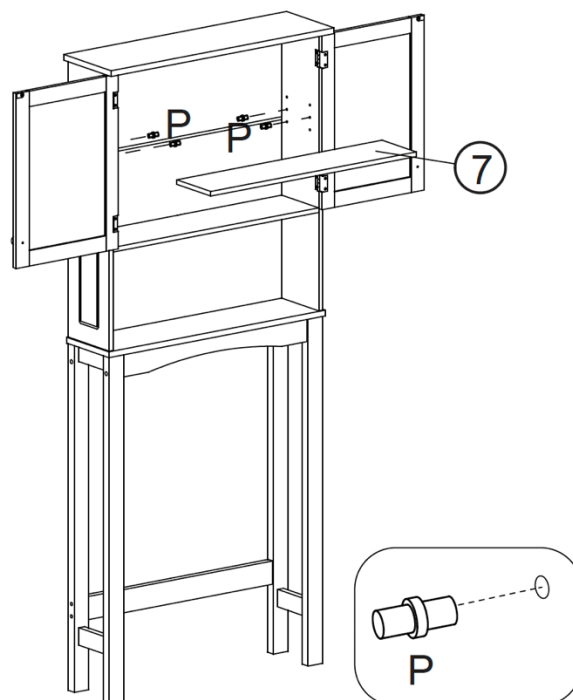
1. Attach upper assembled unit to lower assembled unit by inserting wood dowels (A) into wood dowel holes on middle connection board (9).
2. Insert 4 screws (D) through holes on bottom left side panel (4) and bottom right side panel (5) and tighten to middle connection board (9).

STEP 11



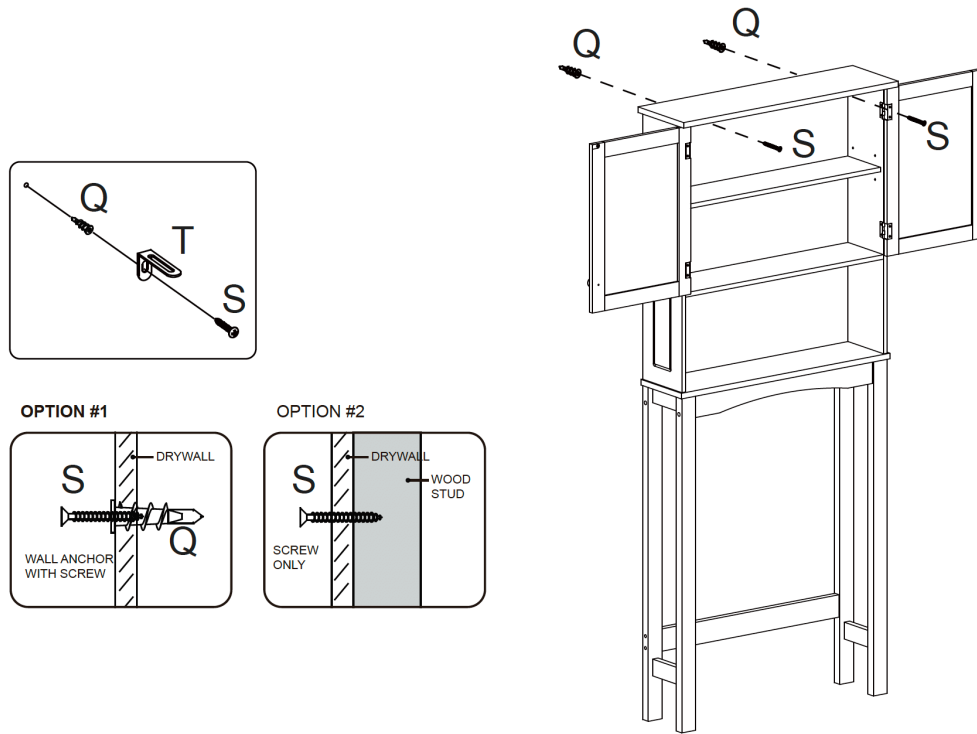
1. Attach rear bottom cross bar (12) to bottom left side panel (4) and bottom right side panel (5) by inserting 4 screws (E) through holes on bottom left side panel (4) and bottom right side panel (5) and tighten to rear bottom cross bar (12).
2. Attach left door (16) to top left side panel (2) by inserting 4 screws (L) through holes on metal hinges (M) and tighten to top left side panel (2).
3. Attach right door (17) to top right side panel (3) by inserting 4 screws (L) through holes on metal hinges (M) and tighten to top right side panel (3).

STEP 12



1. Insert 4 shelf holders (P) into holes on top left side panel (2) and top right side panel (3).
2. Place adjustable shelf (7) onto shelf holders (P).

STEP 13



Option #1: Securing to Drywall

1. Position spacesaver against wall in desired location. Using a pencil, make 2 small marks on wall through holes on anchor brackets (T). Move cabinet away from wall and screw 2 plastic anchors (Q) into wall on pencil marks.
2. Place cabinet against wall, insert 2 screws (S) through holes on anchor brackets (T), then tighten to plastic anchors (Q).

Option #2: Securing to Drywall and Wood Stud

1. Position spacesaver against wall in desired location. Insert 2 screws (S) through holes on anchor brackets (T), then tighten through drywall and into wood stud.

*Tip: Anchor brackets (T) can be adjusted to correct distance from wall to cabinet as needed. Once adjusted, be sure to re-tighten brackets inside cabinet for stability.

ATTENTION ADULTS: Cabinet should be checked periodically for damage or loose screws/parts. Take appropriate action necessary to correct hazards such as tightening of screws and taking any damaged parts away from children.

WARNING  Please make sure your item is secured to the wall, per assembly instructions.

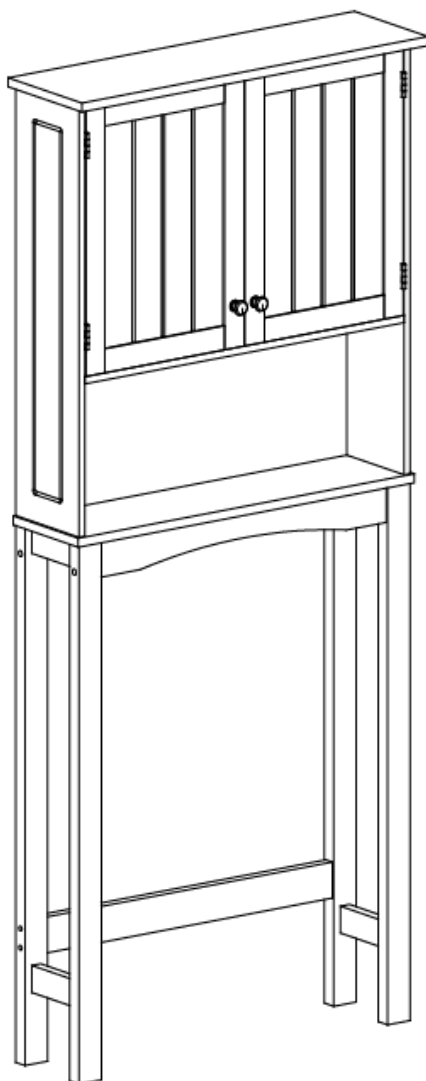
CARE INSTRUCTIONS:

Wipe clean with a water dampened cloth. Wipe dry with clean cloth.

IMPORTANT:

Keep assembly instructions for future reference.

Enjoy your new RiverRidge® Spacesaver!



Thank you for purchasing this RiverRidge® Home item. We hope you enjoy it and consider purchasing other RiverRidge® items.

To order replacement parts at no cost to you, email customer.service@ssi-rr.com, call 1-(844)-223-5201 or order parts online at www.riverridgehome.com. Only valid in the United States. If purchased outside of the United States, please contact retailer where purchased.



RiverRidge® is a registered trademark of Sourcing Solutions, Inc., Hudson, WI 54016