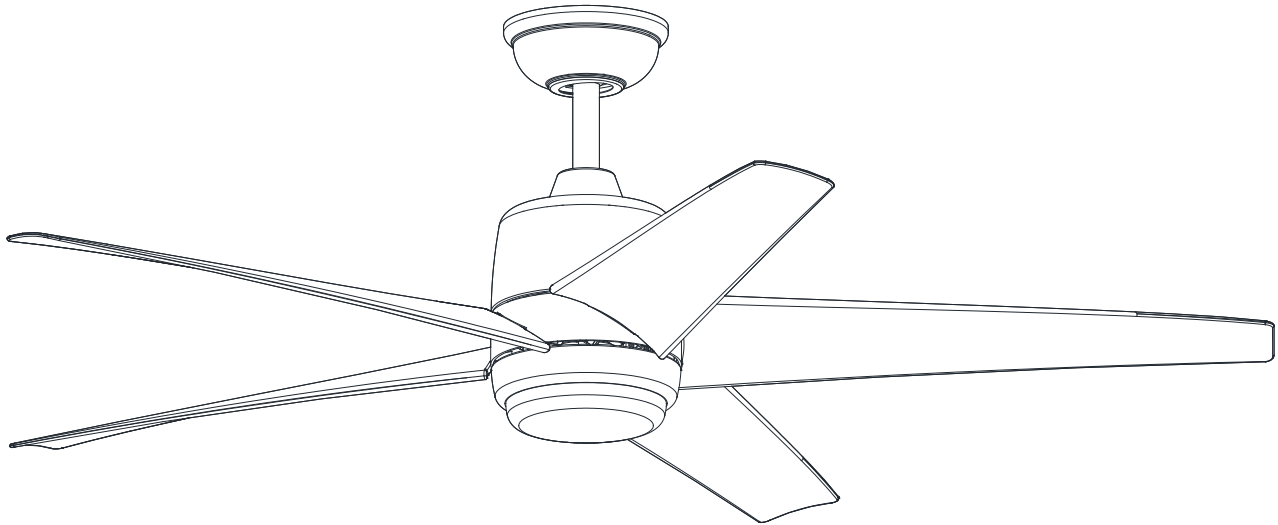


HAMPTON BAY[®]

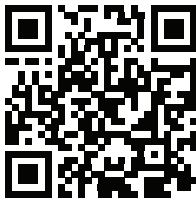
USE AND CARE GUIDE

MENA 54-INCH CEILING FAN

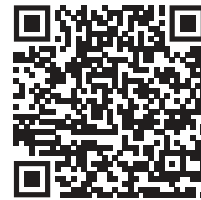


Questions, problems, missing parts? Before returning to the store,
call Hampton Bay Customer Service
8 a.m. - 7 p.m., EST, Monday – Friday, 9 a.m. – 6 p.m., EST, Saturday

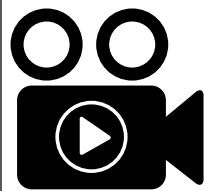
1-855-HD-HAMPTON / HAMPTONBAY.COM



Scan for text based
customer support



Scan for online product
warranty information



To view an instructional video on how to install this product:

1. Go to www.homedepot.com and enter either the Item or Model number, found in the top right corner of the cover of this instruction manual, in the search field.
2. Click on your product from the list of search results and click on the video link in the “Product Overview” section.

THANK YOU

We appreciate the trust and confidence you have placed in Hampton Bay through the purchase of this ceiling fan. We strive to continually create quality products designed to enhance your home. Visit us online to see our full line of products available for your home improvement needs.

Thank you for choosing Hampton Bay!

Table of Contents

Table of Contents	2	Assembly	7
Safety Information	2	Operation	13
Warranty	3	Care and Cleaning	14
Pre-Installation	3	Troubleshooting	14
Installation	6		

Safety Information

READ AND SAVE THESE INSTRUCTIONS.

1. To reduce the risk of electric shock, ensure the electricity has been turned off at the circuit breaker or fuse box before you begin.
2. All wiring must be in accordance with the National Electrical Code ANSI/NFPA 70 and local electrical codes. Electrical installation should be performed by a qualified licensed electrician.
3. The outlet box and support structure must be securely mounted and capable of reliably supporting a minimum of 35 lb (15.9 kg). Use only UL Listed outlet boxes marked "Acceptable for Fan Support of 35 lb (15.9 kg) or less."
4. The fan must be mounted with a minimum of 7 ft (2.1 m) of clearance from the trailing edge of the blades to the floor.
5. Do not place objects in the path of the blades.
6. To avoid personal injury or damage to the fan and other items, use caution when working around or cleaning the fan.
7. After making electrical connections, spliced conductors should be turned upward and pushed carefully up into the outlet box. The wires should be spread apart with the grounded conductor and the equipment-grounding conductor on one side of the outlet box.
8. All set screws must be checked and retightened where necessary before installation.



WARNING: To reduce the risk of personal injury, do not bend the blade brackets (also referred to as flanges) during assembly or after installation. Do not insert objects in the path of the blades.



WARNING: To reduce the risk of fire or electric shock, do not use this fan with any solid-state speed control device.



WARNING: To avoid possible electrical shock, turn the electricity off at the main fuse box before wiring. If you feel you do not have enough electrical wiring knowledge or experience, contact a licensed electrician.



WARNING: To reduce the risk of fire, electric shock or personal injury, mount to outlet box marked "Acceptable for fan support of 35 lb (15.9 kg) or less", and use screws provided with the outlet box.



WARNING: Electrical diagrams are for reference only. If you are using a light kit, refer to the light kit instructions manual to make the electrical connections. Optional use of any light kit shall be UL Listed and marked suitable for use with this fan.



WARNING: To reduce the risk of fire or electric shock, this fan should only be used with fan speed control part no. AP-8RDL, manufactured by DawnSun Electronic Technology Co., Ltd. Zhongshan.



WARNING: To reduce the risk of electric shock, this fan must be installed with an isolating wall switch.



CAUTION: To reduce the risk of personal injury, use only the screws provided with the outlet box.



CAUTION: Do NOT use this fan with a dimmer switch or wall control. Using a dimmer switch or wall control will damage the fan.



CAUTION: Changes or modifications not expressly approved by the party responsible for compliance could void the user's authority to operate the equipment.

Warranty

The supplier warrants the fan motor to be free from defects in workmanship and material present at time of shipment from the factory for a lifetime after the date of purchase by the original purchaser. The supplier warrants that the light kit, excluding any glass, to be free from defects in workmanship and material at the time of shipment from the factory for a period of five years after the date of purchase by the original purchaser. The supplier also warrants that all other fan parts, excluding any glass or acrylic blades, to be free from defects in workmanship and material at the time of shipment from the factory for a period of three years after the date of purchase by the original purchaser. We agree to correct such defects without charge or at our option replace with a comparable or superior model if the product is returned. To obtain warranty service, you must present a copy of the receipt as proof of purchase. All costs of removing and reinstalling the product are your responsibility. Damage to any part, such as by accident, misuse, improper installation, or by affixing any accessories, is not covered by this warranty. Because of varying climatic conditions this warranty does not cover any changes in brass finish, including rusting, pitting, corroding, tarnishing, or peeling. Brass finishes of this type give their longest useful life when protected from varying weather conditions. A certain amount of "wobble" is normal and should not be considered a defect. Servicing performed by unauthorized persons shall render the warranty invalid. There is no other express warranty. Interline hereby disclaims any and all warranties, including but not limited to those of merchantability and fitness for a particular purpose to the extent permitted by law. The duration of any implied warranty which cannot be disclaimed is limited to the time period as specified in the express warranty. Some states do not allow a limitation on how long an implied warranty lasts, so the above limitation may not apply to you. The retailer shall not be liable for incidental, consequential, or special damages arising out of or in connection with product use or performance except as may otherwise be accorded by law. Some states do not allow the exclusion of incidental or consequential damages, so the above exclusion or limitation may not apply to you. This warranty gives specific legal rights, and you may also have other rights which vary from state to state. This warranty supersedes all prior warranties. Shipping costs for any return of product as part of a claim on the warranty must be paid by the customer.

Contact the Customer Service Team at 1-855-HD-HAMPTON or visit www.HamptonBay.com.

Pre-Installation

SPECIFICATIONS

Size	Speed	Volts	Fan Power Consumption (without lights) WATT	Airflow CFM	Airflow Efficiency (Higher Is Better) CFM/WATT	Net Weight	Gross Weight	Cubic Feet
54 in.	Low	120	13	2053	157	17.97 lb (8.15 kg)	20.33 lb (9.22 kg)	1.76 cu. ft.
	Medium		32	3629	113			
	High		60	5246	87			



NOTE: These are approximate measures. They do not include the amps and wattage used by the light kit.



TOOLS REQUIRED



Phillips screwdriver



Flat blade screwdriver



Adjustable wrench



Electrical tape



Wire cutter/Stripper



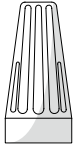
Step ladder

Pre-Installation (continued)

HARDWARE INCLUDED



NOTE: Hardware not shown to actual size.



AA



BB

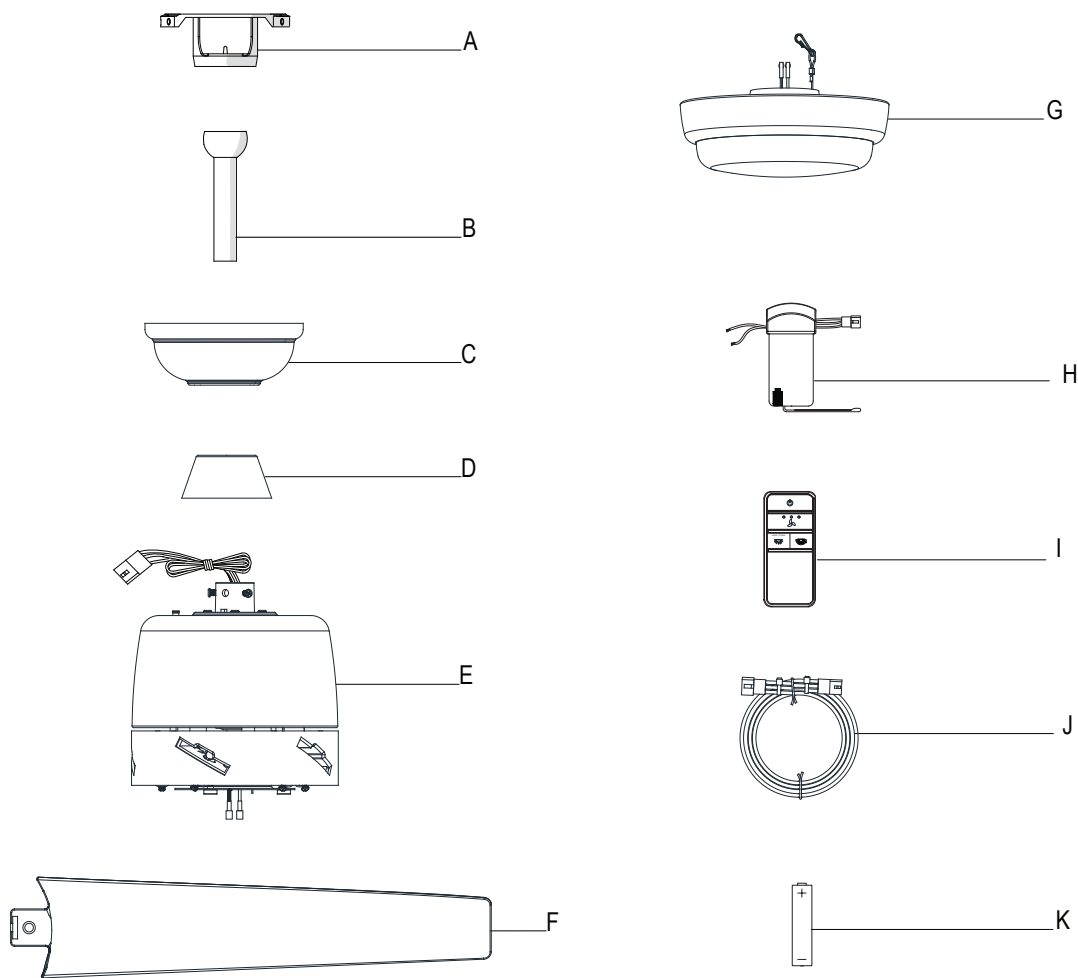


CC

Part	Description	Quantity
AA	Plastic wire connecting nuts	3
BB	Hanger pin	1
CC	Locking pin	1

Pre-Installation (continued)

PACKAGE CONTENTS



Part	Description	Quantity
A	Slide-on mounting bracket (inside canopy)	1
B	Ball/downrod assembly	1
C	Canopy	1
D	Decorative motor collar cover	1
E	Fan motor assembly	1
F	Blade	5

Part	Description	Quantity
G	Light kit assembly	1
H	Receiver	1
I	Remote control	1
J	Extension lead wire	1
K	Battery	1



IMPORTANT: This product and/or components are governed by one or more of the following U.S. Patents: 5,947,436; 5,988,580; 6,010,110; 6,046,416; 6,210,117 and other patents pending.

Installation

MOUNTING OPTIONS



WARNING: To reduce the risk of fire, electric shock or personal injury, mount to outlet box marked “Acceptable for fan support of 35 lb (15.9 kg) or less”, and use screws provided with the outlet box. An outlet box commonly used for the support of lighting fixtures may not be acceptable for fan support and may need to be replaced. If in doubt, consult a qualified electrician.

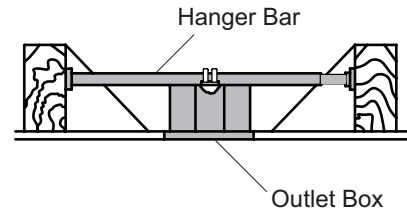
If your ceiling fan does not have an existing UL Listed mounting box, then install one using the following instructions:

- Disconnect the power by removing the fuses or turning off the circuit breakers.
- Secure the outlet box directly to the building structure. Use the appropriate fasteners and materials. The outlet box and support structure must be securely mounted and capable of reliably supporting a minimum of 35 lb (15.9 kg). Use only UL Listed outlet boxes marked “Acceptable for fan support of 35 lb (15.9 kg) or less” Do not use a plastic outlet box.

The illustrations below show three different ways to mount the outlet box.



NOTE: You may need a longer downrod to maintain proper blade clearance when installing on a steep, sloped ceiling. The maximum angle allowable is 30° away from horizontal.



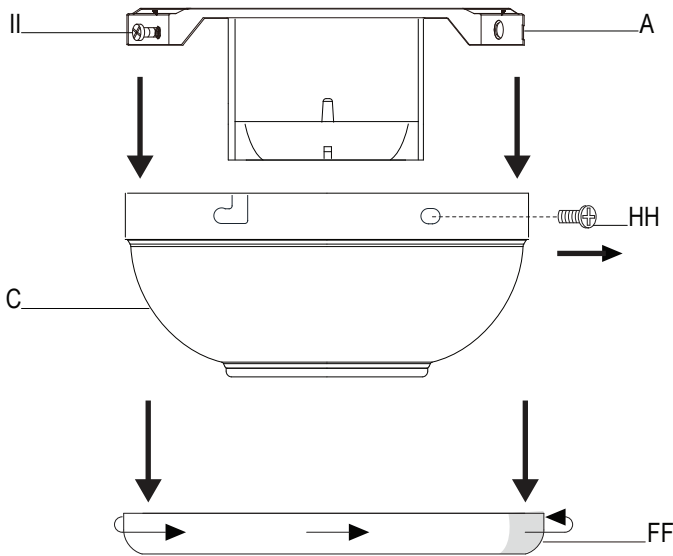
If the canopy touches the downrod, then remove the decorative canopy bottom cover, and turn the canopy 180° before attaching the canopy to the mounting plate.

To hang your fan where there is an existing fixture but no ceiling joist, you may need an installation hanger bar as shown above (available at any Home Depot store).

Assembly - Standard Ceiling Mount

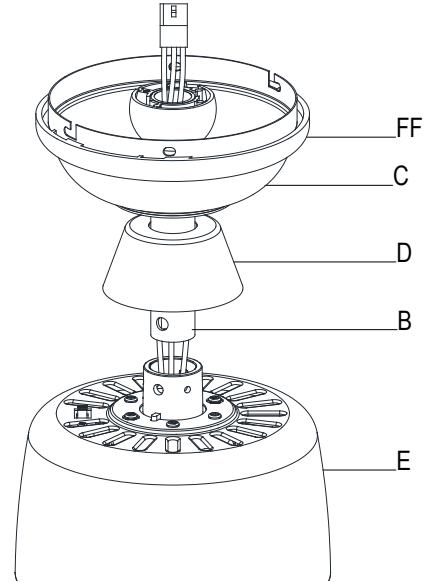
1 Preparing for mounting

- Remove the canopy ring (FF) from the canopy (C) by turning the ring counterclockwise until it unlocks.
- Remove the mounting bracket (A) from the canopy (C) by loosening the two canopy screws (II) located in the “L shaped” slots.
- Remove and save the two canopy screws (HH) in the round holes. This will enable you to remove the mounting bracket (A).



2 Routing the wires

- Route the wires exiting the top of the fan motor assembly (E) through the center of the canopy ring (FF). Make sure the slots on the canopy ring (FF) are on top.
- Insert the ball/downrod assembly (B) through the canopy (C) and slide the decorative motor collar cover (D) onto the end of the ball/ downrod assembly (B). Make sure the slots on the canopy (C) are on top.
- Route the wires exiting the top of the fan motor assembly (E) through the ball/downrod assembly (B) as shown.



3 Assembling the fan

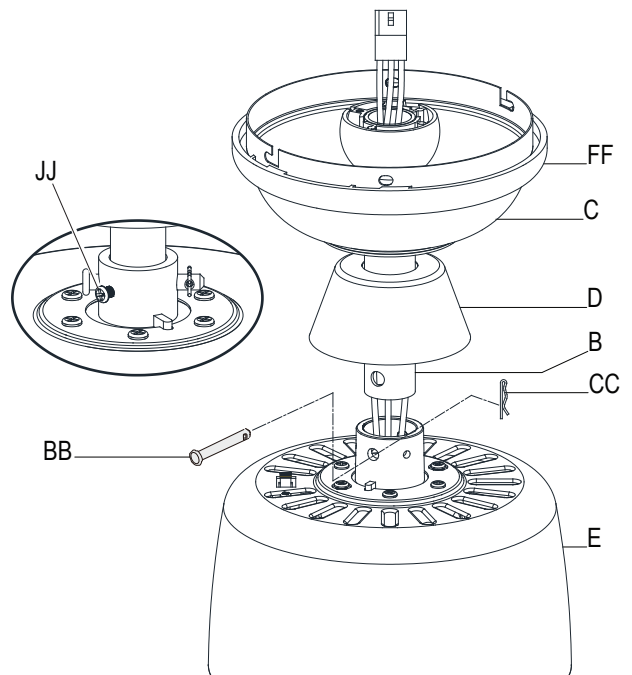


WARNING: Failure to properly install the locking pin (CC) could result in the fan becoming loose and possibly falling.



CAUTION: To ensure wobble-free operation and to avoid damage to the fan, the ball/downrod assembly (B) and the set screw (JJ) must be completely tightened.

- Loosen, but do not remove, the set screws (JJ) on the collar on top of the fan motor assembly (E).
- Align the holes at the bottom of the ball/downrod assembly (B) with the holes in the collar on top of the fan motor assembly (E).
- Carefully insert the hanger pin (BB) through the holes in the collar and ball/downrod assembly (B). Be careful not to jam the hanger pin (BB) against the wiring inside the ball/downrod assembly (B).
- Insert the locking pin (CC) through the hole near the end of the hanger pin (BB) until it snaps into its locked position.
- Re-tighten the set screws (JJ) on the collar on top of the fan motor assembly (E).



Assembly - Hanging the Fan

1 Attaching the fan to the electrical box

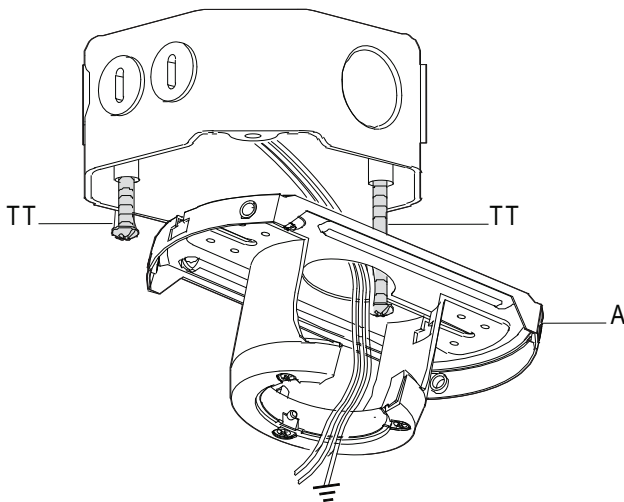


WARNING: To reduce the risk of fire, electric shock or personal injury, mount to outlet box marked "Acceptable for fan support of 35 lb (15.9 kg) or less", and use screws provided with the outlet box.



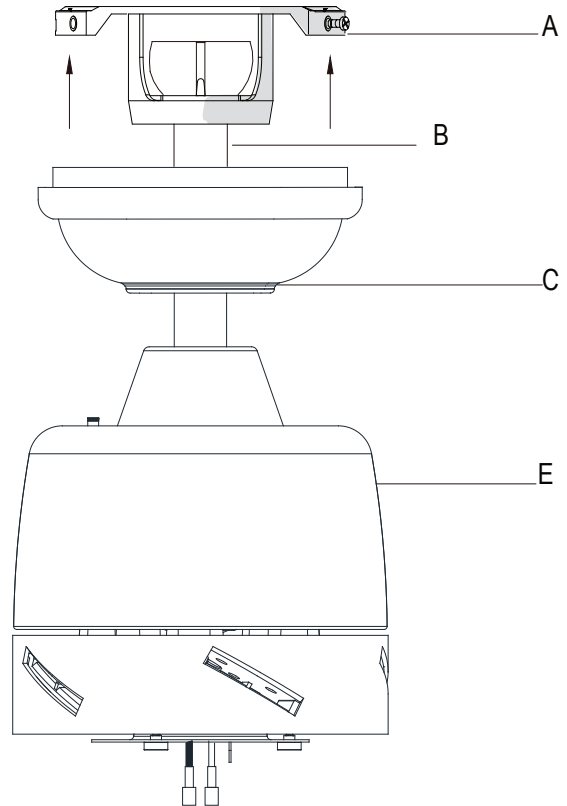
NOTE: The slide-on mounting bracket (A) is designed to slide into place on an outlet box with the outlet box screws (TT) installed.

- Loosen the two mounting screws (TT) in the outlet box.
- Pass the 120-Volt supply wires through the center hole in the mounting bracket (A).
- Slide the slide-on mounting bracket (A) on to the mounting screws (TT) and center the slide-on mounting bracket (A) in relation to the outlet box. If necessary, use leveling washers (not included) between the slide-on mounting bracket (A) and the outlet box. The flat side of the slide-on mounting bracket (A) should face toward the outlet box, as shown.
- Securely tighten the two mounting screws (TT).



2 Hanging the fan

- Carefully lift the fan motor assembly (E) up to the slide-on mounting bracket (A).
- Insert the ball portion of the ball/downrod assembly (B) into the socket of the slide-on mounting bracket (A).
- Turn the ball/downrod (B) assembly clockwise until it is seated with the tab of the slide-on mounting bracket (A) aligned with the slot in the ball.



Assembly - Hanging the Fan (continued)

3 Setting the code on the remote control and receiver

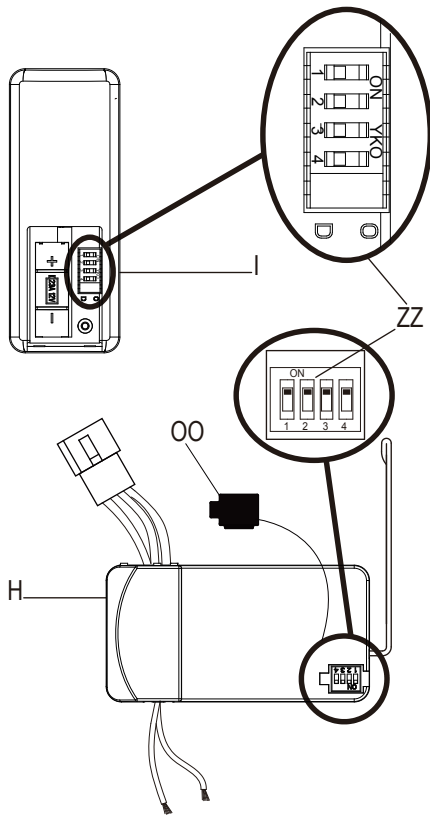


NOTE: The frequencies on your receiver and hand unit have been preset at the factory. Before installing the receiver, make sure the dip switches on the receiver and hand unit are set to the same frequency. The dip switches on the hand unit are located inside the battery compartment.



NOTE: The battery will weaken with age and should be replaced before leaking takes place as this will damage the hand unit. Dispose of used battery properly and keep the battery out of the reach of children.

- ❑ Remove the remote control (I) battery cover by pressing firmly on the arrow and sliding the cover off.
- ❑ Slide the dip switches (ZZ) to your choice of either up or down. The factory setting is up.
- ❑ Slide the dip switches (ZZ) on the receiver (H) to the same position as set on the remote control (I).
- ❑ Install the A23 12V battery (K).
- ❑ Replace the battery cover on the remote control (I).
- ❑ Insert the silicone rubber stopper (OO) into the hole on the receiver (H) to cover the dip switches.



4 Installing the receiver



WARNING: To reduce the risk of fire or electric shock, remember to disconnect power. The electrical wiring must meet all local and national electrical code requirements. The electrical source and fan must be 110/120 volt, 60Hz. Do not use this product in conjunction with any variable wall control. Incorrect wire connection can damage this receiver.

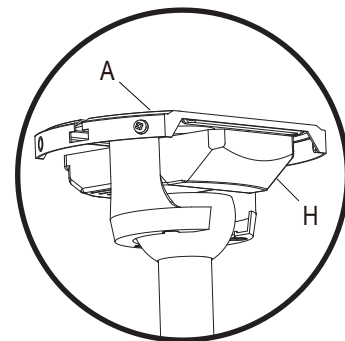
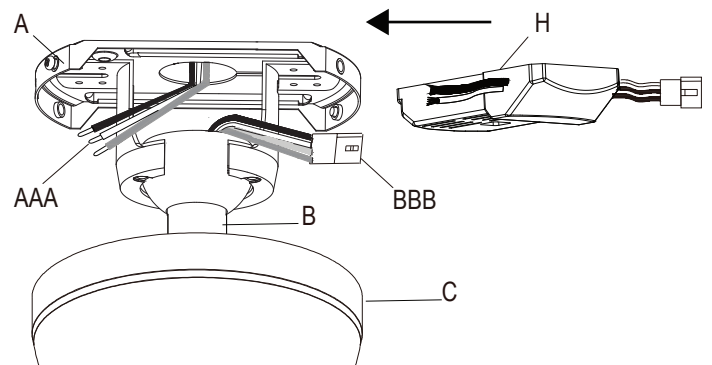


CAUTION: If other fan wires are a different color, have this unit installed by a licensed electrician.



CAUTION: Do not install the receiver in a damp location or immerse in water. (For indoor use only). Do not pull on or cut the receiver leads shorter. Do not drop or bump the unit.

- ❑ Position the house supply wires (AAA) to one side of the slide-on mounting bracket (A); position the fan wires (BBB) to the opposite side.
- ❑ Insert the narrow end of the receiver (H) (as shown, flat side towards the ceiling) into the slide-on mounting bracket (A) until it rests on top of the ball/downrod assembly (B).



Receiver (H) correctly positioned in the slide-on mounting bracket (A).

Assembly - Hanging the Fan (continued)

5 Wiring the receiver to the household wiring



WARNING: To avoid possible electrical shock, turn the electricity off at the main fuse box before wiring. If you feel you do not have enough electrical wiring knowledge or experience, contact a licensed electrician.

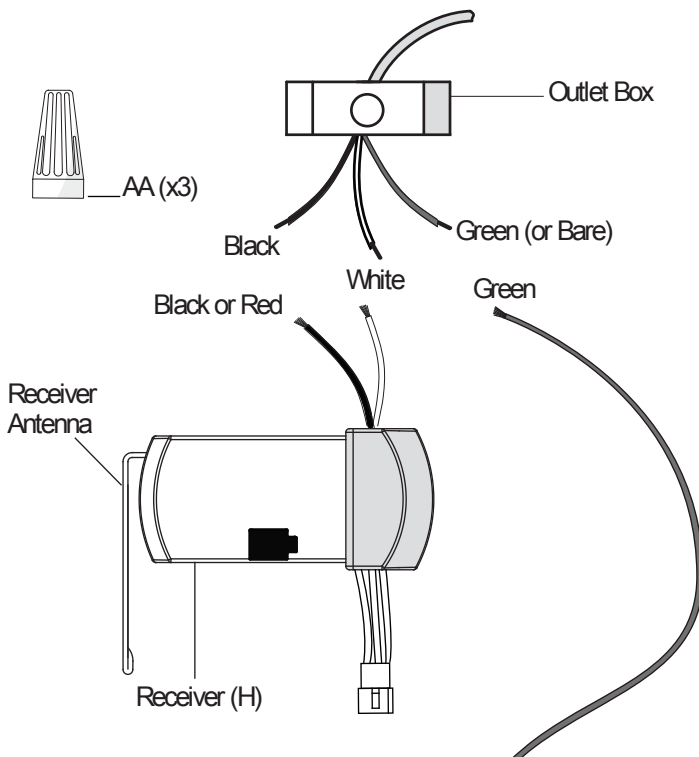


WARNING: Each wire nut supplied with this fan is designed to accept up to one 12-gauge house wire and two wires from the fan. If you have larger than 12-gauge house wiring or more than one house wire to connect to the fan wiring, consult an electrician for the proper size wire nuts to use.



IMPORTANT: Use the wire connecting nuts (AA) supplied with your fan. Secure the connectors with electrical tape and ensure there are no loose strands or connections.

- Spread the wires apart so that the green and white wires are on one side of the outlet box and the black wire is on the other side.
- Connect the green fan wires to the household ground wire (this may be a green or bare wire) using a wire connecting nut (AA).
- Connect the receiver (H) black or red wire to the household black (hot) wire using a wire connecting nut (AA).
- Connect the receiver (H) white wire to the household white wire (neutral) using a wire connecting nut (AA).
- Secure each wire connecting nut using electrical tape.

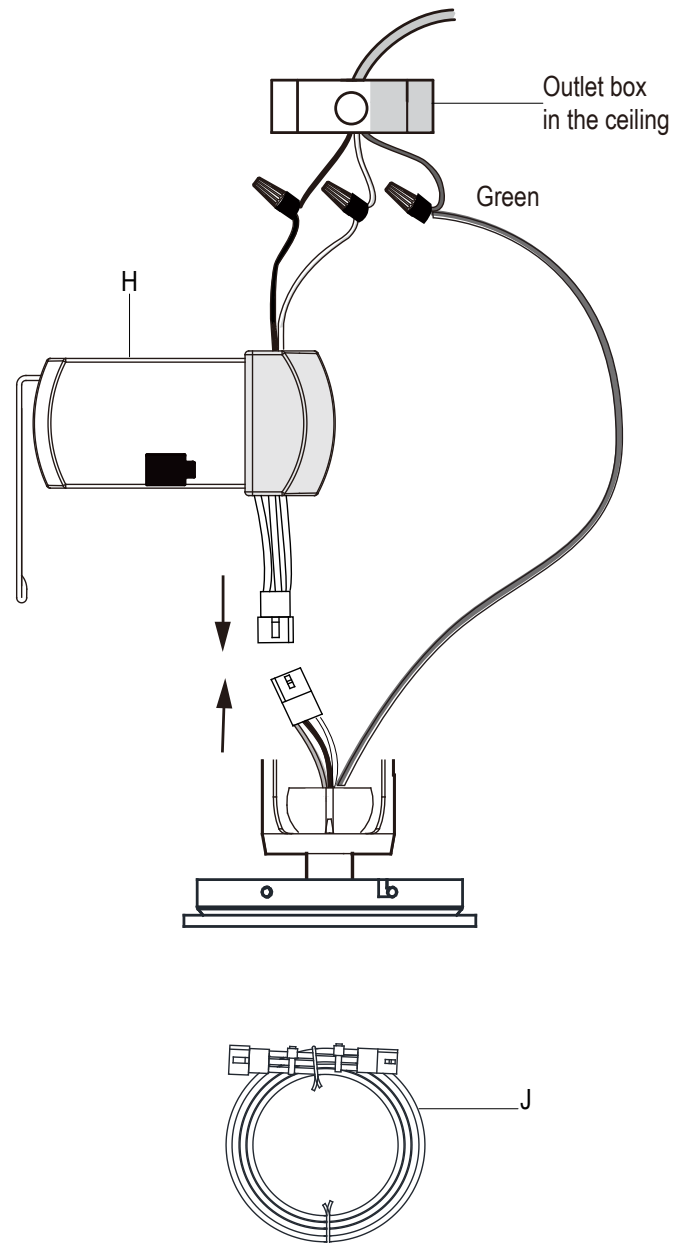


6 Wiring the fan to the receiver



NOTE: The fan comes with 8 in. lead wires for use with the provided 6 in. ball/downrod assembly (B). If you wish to use a longer downrod, you can use the extension lead wire (42 in.) (J) provided.

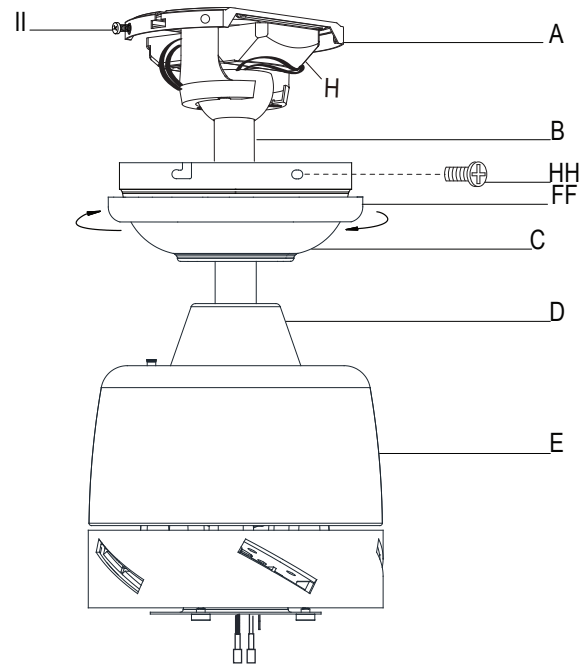
- If using the 6 in. ball/downrod assembly (B) provided, wire the receiver to the fan wires by connecting the molded adaptor plug from receiver (H) with molded adaptor of the fan motor assembly (E) together.
- If you wish to use longer downrod, you can use the extension lead wire (42 in.) (J) provided by connecting the molded adaptor together.



Assembly - Hanging the Fan (continued)

7 Mounting the fan motor assembly (standard mount)

- Align the locking slots of the canopy (C) with the two screws (II) in the slide-on mounting bracket (A). Push up to engage the slots and turn clockwise to lock in place.
- Firmly tighten the two mounting screws (II).
- Install the two canopy screws (HH) (saved from Assembly-Step 1 “Preparing for mounting”) into the holes in the canopy (C) and tighten firmly.
- Install the decorative canopy ring (FF) by aligning the ring’s slots with the screws in the canopy (C). Rotate the ring clockwise to lock in place.



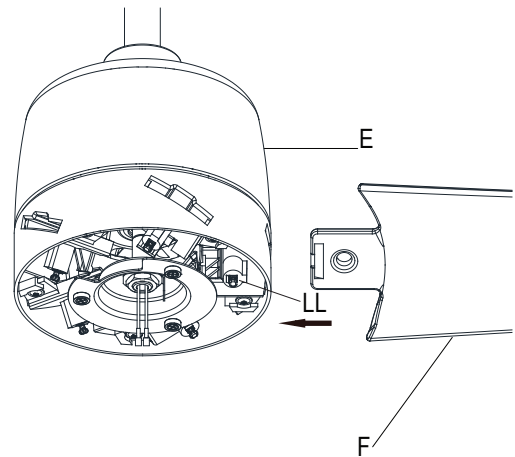
Assembly - Attaching the Fan Blades

1 Attaching the blades to the motor



NOTE: Blade installation must be properly completed before attaching the light kit.

- Attach a blade (F) to the fan motor assembly (E) by inserting the blade (F) into the slot in the side of the fan motor housing (E) until it stops. The locking clip (LL) will click when the blade is correctly installed. Ensure the blade is snapped into locking clip (LL) completely by pulling the fan blade away from the motor housing.
- Repeat these steps for the remaining blades (F).

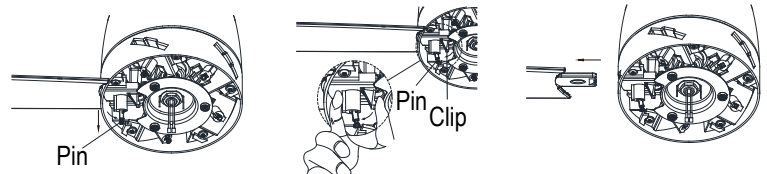


Removing the blades from the motor



NOTE: Make sure you have turned the black plate with notch towards the blade you would like to remove.

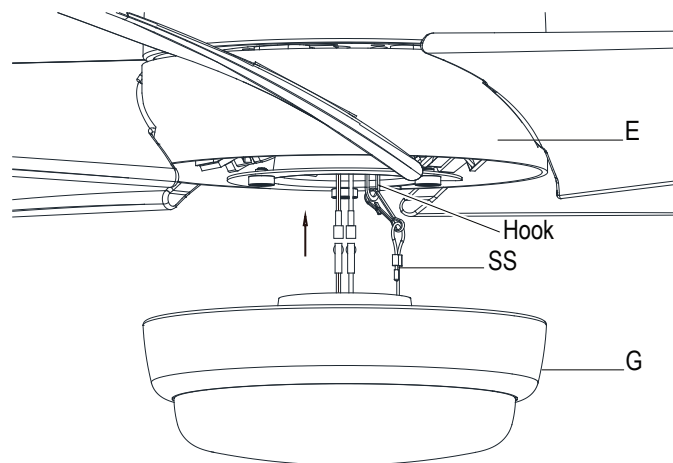
- Pull the blade locking pin down and turn to the right. Make sure the pin is engaged with the black slot properly.
- To remove the blade (F) from the fan motor assembly (E), squeeze the tab of the locking clip (LL) towards the direction of blades and pull the fan blade away from the motor housing.
- Repeat these steps for the remaining blades (F).



Assembly - Attaching the Accessories

1 Attaching the light kit fitter assembly

- Connect the wires from the light kit assembly (G) to the wires from the fan motor assembly (E) by connecting the molded adaptor plugs together. Carefully tuck all wires and splices into the switch cup and connect the safety cable (SS) from the light kit assembly (G) to the hook from motor assembly (E).
- Push the light kit assembly (G) up to the motor assembly (E) by aligning the magnet part of the motor assembly (E) until it is secure.



Operating Your Fan

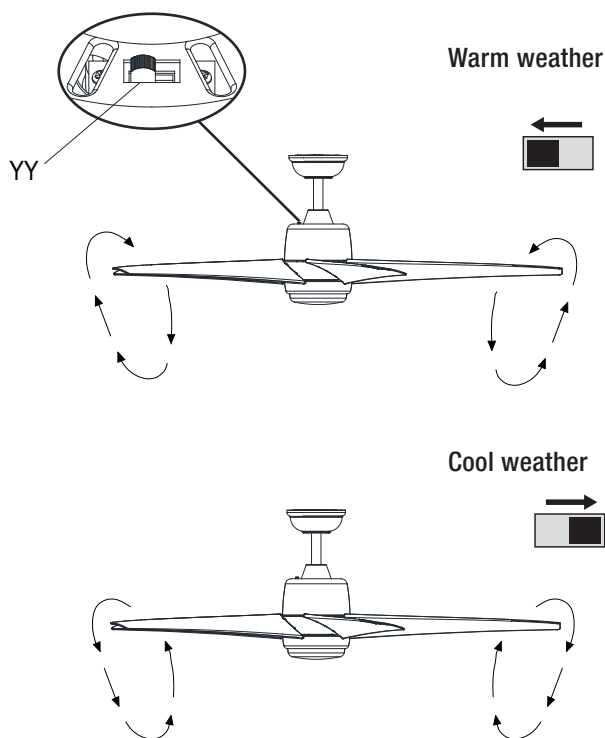
Remote Control - Your fan is equipped with a remote control to operate the speed and lights of your new ceiling fan.

Speed setting for warm or cool weather depends on factors such as the room size, ceiling height, number of fans and so on.


The fan is shipped from the factory with the reversing switch (YY) positioned to circulate air downward. If airflow is desired in the opposite direction, turn your fan off and wait for the blades to stop turning, then slide the reversing switch (located on the top of the motor housing) to the opposite position, and turn the fan on again. The fan blades will turn in the opposite direction and reverse airflow.


Warm weather - (Forward) A downward airflow creates a cooling effect. This allows you to set your air conditioner on a higher setting without affecting your comfort.

Cool weather - (Reverse) An upward airflow moves warm air off of the ceiling. This allows you to set your heating unit on a lower setting without affecting your comfort.



Operating Your Remote Control

 **Power ON/OFF:** Press and release the power button to turn the fan and light on or off.

 **Fan speed:** LEDs on the fan speed button will illuminate to the corresponding speed.

Press and release 1 time: turns the fan on high speed.

Press and release 2 times: turns the fan on medium speed.

Press and release 3 times: turns the fan on low speed.

Press and release 4 times: turns the fan off.

 **Light ON/OFF**

Press and release the button to turn the light on or off.

Press and hold the button to activate the dimmer function.

 **Correlated Color Temperature (CCT) changing**

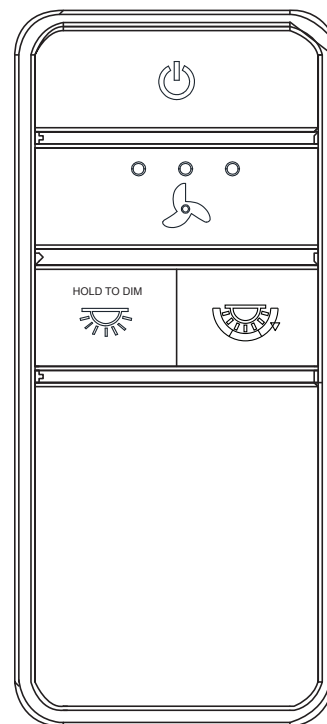
 **NOTE:** The default temperature of the ceiling fan light is 3000k (Soft White).

Push and release the button to cycle through the three color temperature options.

Option 1: 2700K (Warm White).

Option 2: 3000K (Soft White).

Option 3: 5000K (Daylight).



Care and Cleaning



WARNING: Make sure the power is off before cleaning your fan.

- Because of the fan's natural movement, some connections may become loose. Check the support connections, brackets, and blade attachments twice a year. Make sure they are secure. It is not necessary to remove the fan from the ceiling.
- Clean your fan periodically to help maintain its new appearance over the years. Do not use water when cleaning, as this could damage the motor, or the wood, or possibly cause an electrical shock. Use only a soft brush or lint-free cloth to avoid scratching the finish.
- You can apply a light coat of furniture polish to the wood for additional protection and enhanced beauty. Cover small scratches with a light application of shoe polish.
- You do not need to oil your fan. The motor has permanently-lubricated sealed ball bearings.

Troubleshooting

Problem	Solution
The fan will not start.	<ul style="list-style-type: none"><input type="checkbox"/> Check the main and branch circuit fuses or breakers.<input type="checkbox"/> Check the line wire connections to the fan and switch wire connections in the switch housing.<input type="checkbox"/> Check the battery in the remote control.<input type="checkbox"/> Ensure you are in the normal range of 10-20 feet.<input type="checkbox"/> Remember to turn off the power supply before checking the dip switch settings.
The fan is noisy.	<ul style="list-style-type: none"><input type="checkbox"/> Ensure all motor housing screws are snug.<input type="checkbox"/> Ensure the screws that attach the fan blade bracket to the motor hub are tight.<input type="checkbox"/> Ensure the wire nut connections are not rattling against each other or the interior wall of the switch housing.<input type="checkbox"/> Allow a 24-hour "breaking in" period. Most noises associated with a new fan disappear during this time.<input type="checkbox"/> If you are using the Ceiling Fan light kit, ensure the screws securing the glassware are tight. Check that the light bulbs are also secure.<input type="checkbox"/> Ensure the canopy is a short distance from the ceiling. It should not touch the ceiling.<input type="checkbox"/> Ensure your outlet box is secure and rubber isolator pads were used between the mounting plate and outlet box.
The fan wobbles.	<ul style="list-style-type: none"><input type="checkbox"/> Check that all blade and blade arm screws are secure.<input type="checkbox"/> Most fan wobble problems are caused when blade levels are unequal. Check this level by selecting a point on the ceiling above the tip of one of the blades. Measure from a point on the center of the blade to the point on the ceiling. Rotate the fan until the next blade is positioned for measurement, and measure from the same point on each blade to the ceiling. Repeat for each blade. Any measurement deviation should be within 1/8 in. Run the fan for ten minutes. If the fan continues to wobble please contact Customer Service and a balancing kit will be sent to you at no charge.

HAMPTON BAY[®]

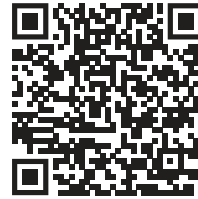
Questions, problems, missing parts? Before returning to the store,
call Hampton Bay Customer Service
8 a.m. - 7 p.m., EST, Monday – Friday, 9 a.m. – 6 p.m., EST, Saturday

1-855-HD-HAMPTON
HAMPTONBAY.COM

Retain this manual for future use.



Scan for text based
customer support



Scan for online product
warranty information

This equipment has been tested and found to comply with the limits for a Class B digital device, pursuant to Part 15 of the FCC Rules. These limits are designed to provide reasonable protection against harmful interference in a residential installation. This equipment generates, uses and can radiate radio frequency energy and, if not installed and used in accordance with the instructions, may cause harmful interference to radio communications. However, there is no guarantee that interference will not occur in a particular installation. If this equipment does cause harmful interference to radio or television reception, which can be determined by turning the equipment off and on, the user is encouraged to try to correct the interference by one or more of the following measures:

- Reorient or relocate the receiving antenna.
- Increase the separation between the equipment and receiver.
- Connect the equipment into an outlet on a circuit different from that to which the receiver is connected.
- Consult the dealer or an experienced radio/TV technician for help.

CAUTION:

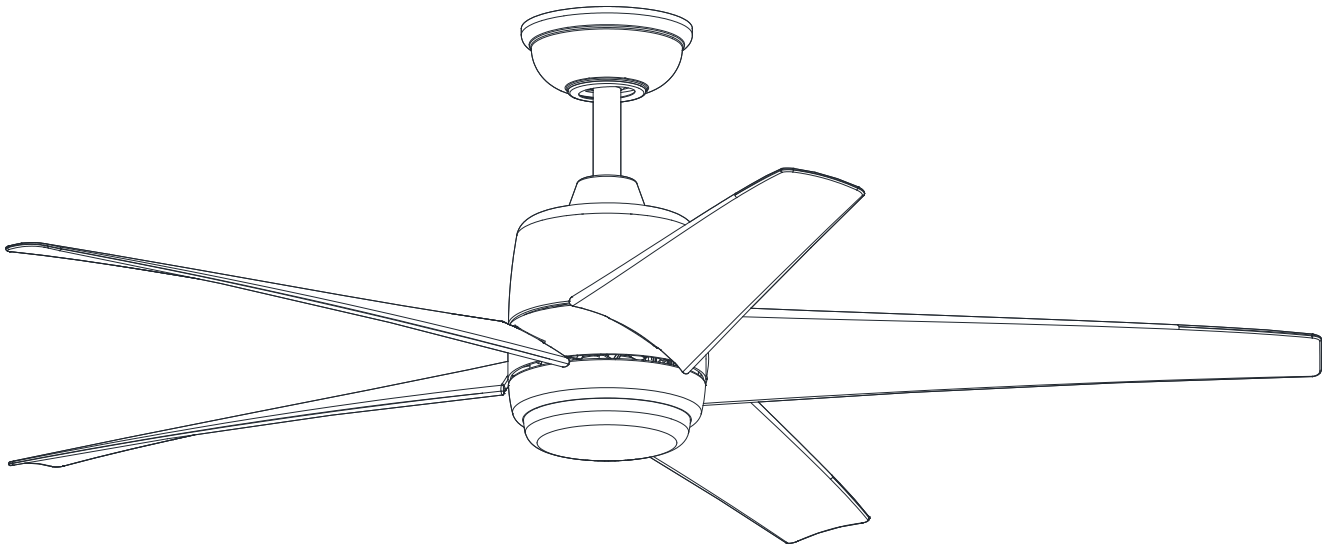
Any changes or modifications not expressly approved by the grantee of this device could void the user's authority to operate the equipment.

This device complies with Part 15 of the FCC Rules. Operation is subject to the following two conditions: (1) This device may not cause harmful interference, and (2) this device must accept any interference received, including interference that may cause undesired operation.

HAMPTON BAY®

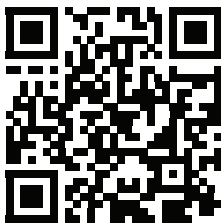
GUÍA DE USO Y MANTENIMIENTO

VENTILADOR DE TECHO MENA DE 1.4 M

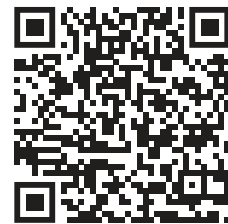


¿Preguntas, problemas, piezas faltantes? Antes de devolver a la tienda, llama al servicio al cliente de Hampton Bay entre 8:00 a.m. y 7:00 p.m. (hora del Este), de lunes a viernes, y los sábados de 9:00 a.m. a 6:00 p.m. (hora del Este)

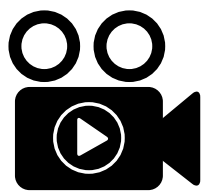
1-855-HD-HAMPTON / HAMPTONBAY.COM



Escanea para texto



Escanea para obtener información



Para ver un video instructivo sobre cómo instalar este producto:

1. Visita www.homedepot.com e ingresa en el campo de búsqueda el número del modelo o artículo, que aparece en la esquina superior derecha de la portada de este manual de instrucciones.
2. Haz clic sobre tu producto en la lista de resultados de la búsqueda y sobre el enlace de video en la sección "Product Overview" [Información general del producto].

GRACIAS

Apreciamos la plena confianza que has depositado en Hampton Bay al comprar este ventilador de techo. Nos esforzamos en crear continuamente productos de calidad diseñados para mejorar tu hogar. Visítanos por Internet para ver nuestra línea completa de productos disponibles a fin de satisfacer tus necesidades de mejoras del hogar. ¡Gracias por elegir Hampton Bay!

Tabla de contenido

Tabla de contenido	2	Ensamblaje.....	7
Información de seguridad.....	2	Funcionamiento	13
Garantía	3	Mantenimiento y limpieza.....	14
Preinstalación	3	Solución de problemas	14
Instalación.....	6		

Información de seguridad

LEE Y GUARDA ESTAS INSTRUCCIONES.

1. Para disminuir el riesgo de descarga eléctrica hay que garantizar el corte de electricidad en el cortacircuitos o en la caja de fusibles antes de comenzar.
2. Todo el cableado tiene que cumplir con el Código Nacional de Electricidad ANSI/NFPA 70 y con los códigos eléctricos locales. La instalación eléctrica debe hacerse por un electricista calificado con licencia.
3. La caja eléctrica y la estructura de soporte tienen que montarse de forma segura para poder sostener con confianza y como mínimo 35 lb (15.9 kg). Usa solo cajas eléctricas aprobadas por UL y marcadas como "Apropiada para sostener ventiladores de 35 lb (15.9 kg) o menos".
4. El ventilador tiene que montarse con un mínimo de 7 pies (2.1 m) de espacio libre desde el borde posterior de las aspas hasta el piso.
5. No coloques objetos en la trayectoria de las aspas.
6. Para evitar lesiones físicas o daños al ventilador y otros artículos, ten cuidado al limpiarlo o al trabajar cerca de él.
7. Después de concluir las conexiones eléctricas, debes voltear los conductores empalmados hacia arriba y meterlos con cuidado en la caja eléctrica. Los cables deben estar separados con el cable a tierra y el conductor a tierra del equipo a un lado de la caja eléctrica.
8. Antes de la instalación, todos los tornillos de fijación tienen que comprobarse y reajustarse donde sea necesario.



ADVERTENCIA: Para reducir el riesgo de lesiones personales, no dobles los soportes de las aspas (también llamados "bridas") durante o después de la instalación. No colocar objetos en la trayectoria de las aspas.



ADVERTENCIA: Para reducir el riesgo de incendio o descarga eléctrica, no utilices este ventilador con ningún dispositivo de estado sólido para control de velocidad.



ADVERTENCIA: Para evitar posible descarga eléctrica, desconecta la electricidad en la caja principal de fusibles antes de cablear. En caso de no tener suficiente conocimiento o experiencia sobre cableado eléctrico, contactar a un electricista certificado.



ADVERTENCIA: Para reducir el riesgo de incendio, descarga eléctrica o lesiones personales, instala solo en una caja eléctrica clasificada como "apropiada para sostener ventiladores de 35 lb (15.9 kg) o menos" y usa los tornillos que vienen con ella.



ADVERTENCIA: Los diagramas eléctricos son solo para referencia. Si usas un kit de luces, consulta el manual de instrucciones del kit de luces para hacer las conexiones eléctricas. El uso opcional de cualquier kit de luces debe estar aprobado por UL y estar marcado como adecuado para ser usado con este ventilador.



ADVERTENCIA: Para disminuir el riesgo de incendio o descarga eléctrica, este ventilador sólo debe usarse con la pieza Núm. AP-8RDL de control de velocidad fabricada por DawnSun Electronic Technology Co., Ltd. Zhongshan.



ADVERTENCIA: A fin de reducir el riesgo de descargas eléctricas, este ventilador tiene que instalarse con un interruptor de pared con aislamiento.



PRECAUCIÓN: Para reducir el riesgo de lesiones personales, usa sólo los tornillos incluidos con la caja eléctrica.



PRECAUCIÓN: NO usar este ventilador con control de pared ni con interruptor provisto de regulador de intensidad luminosa. Usar un control de pared o un interruptor con regulador de intensidad luminosa dañará este ventilador.



PRECAUCIÓN: Los cambios o modificaciones sin previa aprobación expresa de la parte responsable de su cumplimiento podrían anular el derecho del usuario a operar el equipo.

Garantía

El proveedor garantiza de por vida, a partir de la fecha de adquisición por el comprador original, que el motor del ventilador no presenta defectos de fabricación ni de materiales al momento del envío desde la fábrica. El proveedor garantiza que el kit de luces, excluyendo cualquier vidrio, no tendrá defectos de fabricación ni de material en el momento del envío desde la fábrica por un período de cinco años después de la fecha de compra por parte del comprador original. El proveedor también garantiza, por tres años a partir de la fecha de adquisición por el comprador original, que todas las demás piezas del ventilador, sin incluir las aspas de vidrio o acrílicas, no presentarán ningún defecto de fabricación ni de material al momento del envío desde la fábrica. Si el producto es devuelto, aceptamos reparar sus defectos sin cargo alguno o, a nuestra discreción, reemplazarlo por modelo similar o superior. Para obtener servicio de garantía tiene que presentar una copia del recibo como comprobante de compra. Todos los costos de retiro y reinstalación del producto correrán por cuenta del cliente. Los daños a cualquier pieza por accidente, instalación o uso inadecuado, o por montar cualquier accesorio, no están cubiertos por esta garantía. Puesto que las condiciones climáticas pueden variar, esta garantía no cubre ningún cambio del acabado en latón, como óxido, perforación, corrosión, manchas o descascaramiento. Este tipo de acabados en latón tiene una vida útil prolongada si se lo protege contra las condiciones climáticas cambiantes. Cierta "oscilación" es normal y no debe considerarse un defecto. Cualquier servicio prestado por personal no autorizado invalidará la garantía. No hay ninguna otra garantía expresa. Por este medio Interline se exime de toda garantía, incluyendo, pero sin limitarse a, aquellas de comercialización e idoneidad para un fin particular, en el alcance permitido por la ley. La duración de cualquier garantía implícita que no pueda exonerarse se limita al período especificado en la garantía explícita. Algunos estados no permiten limitaciones sobre la duración de las garantías implícitas, así que es posible que la limitación anterior no se aplique en su caso. El minorista no será responsable por daños incidentales, emergentes ni especiales derivados del uso o funcionamiento del producto, excepto en los casos en los que la ley así lo disponga. Algunos estados no permiten excluir ni limitar daños directos o indirectos, así que es posible que la limitación o exclusión anterior no se aplique en este caso. Esta garantía otorga derechos legales especiales al cliente y es posible que también goce de otros derechos que pueden variar según el estado. Esta garantía sustituye a todas las garantías anteriores. Los costos de envío en cualquier devolución de productos como parte de un reclamo de garantía corren por cuenta del cliente.

Comuníquese con el equipo de servicio al cliente al teléfono 1-855-HD-HAMPTON o visite www.HamptonBay.com.

Preinstalación

ESPECIFICACIONES

Tamaño	Velocidad	Voltios	Consumo de energía del ventilador (sin luces) VATIOS	Flujo de aire CFM	Eficiencia de flujo de aire (Mientras más alta, mejor) CFM/VATIOS	Peso neto	Peso bruto	Pies cúbicos
54 plg (1.37 m)	Baja	120	13	2053	157	17.97 lb (8.15 kg)	20.33 lb (9.22 kg)	1.76 pies cúbicos
	Media		32	3629	113			
	Alta		60	5246	87			



NOTA: Estas medidas son aproximadas. No incluyen el amperaje ni el vataje consumido por el kit de luces.



HERRAMIENTAS NECESARIAS



Destornillador
Phillips



Destornillador
plano



Llave
ajustable



Cinta de
electricista



Cortacables /
Pelacables



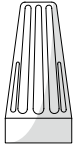
Escalera de tijera

Preinstalación (continuación)

HERRAJES INCLUIDOS



NOTA: Los herrajes no se muestran en tamaño real.



AA



BB

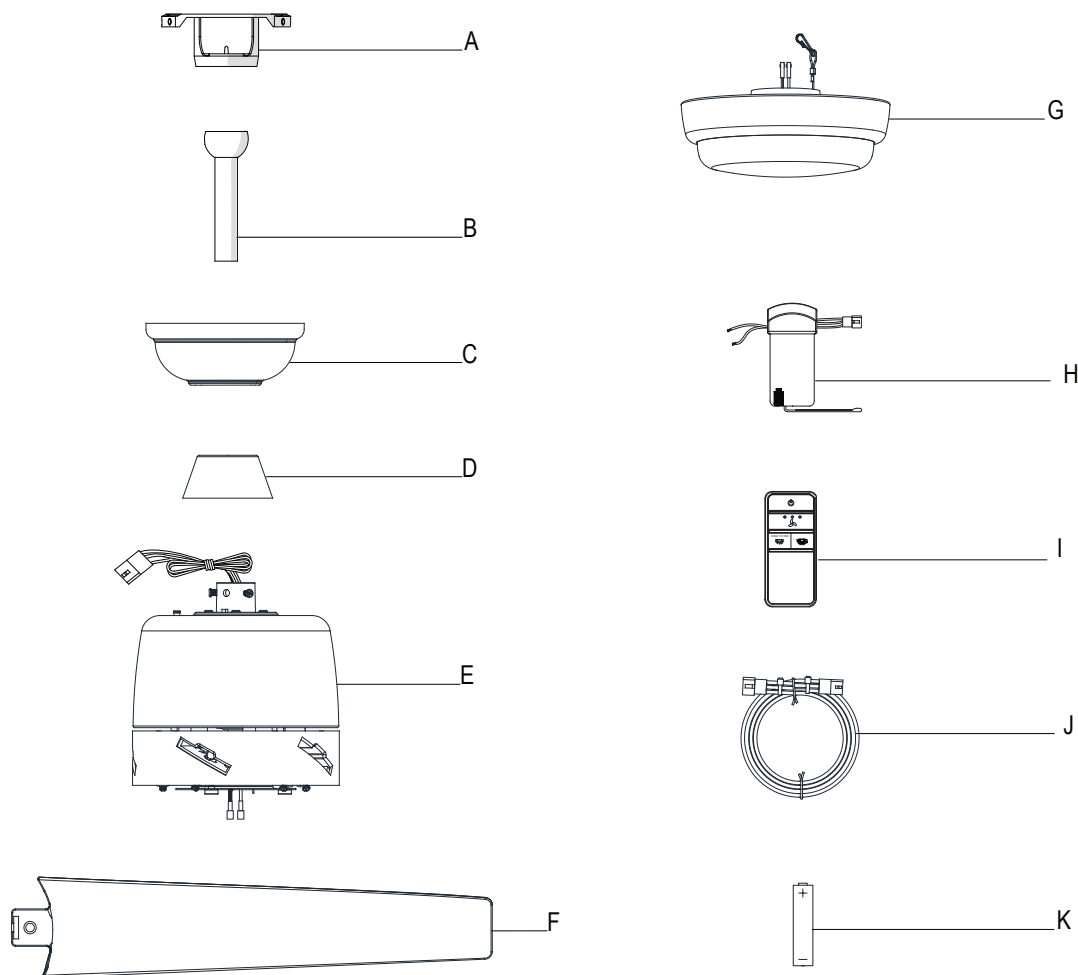


CC

Pieza	Descripción	Cantidad
AA	Tuercas plásticas de conexión de cables	3
BB	Pasador de soporte	1
CC	Pasador de cierre	1

Preinstalación (continuación)

CONTENIDO DEL PAQUETE



Pieza	Descripción	Cantidad
A	Soporte de montaje deslizante (dentro de la cubierta)	1
B	Conjunto de tubo bajante/esfera	1
C	Cubierta	1
D	Cubierta decorativa del collarín del motor	1
E	Ensamblaje del motor del ventilador	1
F	Aspa	5

Pieza	Descripción	Cantidad
G	Ensamblaje del kit de luces	1
H	Receptor	1
I	Control remoto	1
J	Extensión de cable terminal	1
K	Batería	1



IMPORTANTE: Este producto y/o sus componentes están protegidos por una o más de las siguientes patentes en EE. UU.: 5,947,436; 5,988,580; 6,010,110; 6,046,416; 6,210,117, así como otras patentes pendientes.

Instalación

OPCIONES DE MONTAJE

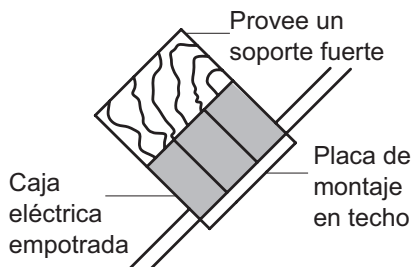
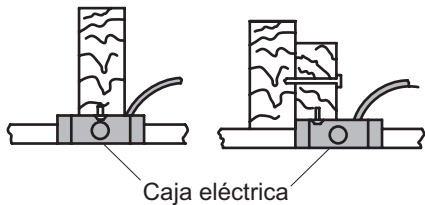
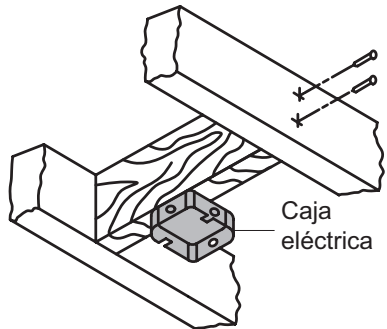


ADVERTENCIA: Para reducir el riesgo de incendio, descarga eléctrica o lesiones personales, instala solo en una caja eléctrica clasificada como “apropiada para sostener ventiladores de 35 lb (15.9 kg) o menos” y usa los tornillos que vienen con ella. Las cajas eléctricas utilizadas comúnmente para el soporte de lámparas pueden no servir como soporte de ventilador y tal vez deban reemplazarse. En caso de duda, consulta a un electricista calificado.

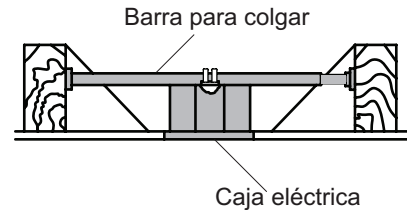
Si tu ventilador de techo no tiene una caja de montaje aprobada por UL, instálala siguiendo las instrucciones a continuación:

- Desconecta la energía retirando los fusibles o apagando los cortacircuitos.
- Asegura la caja eléctrica directamente a la estructura de la edificación. Usa los sujetadores y materiales apropiados. La caja eléctrica y la estructura de soporte tienen que montarse de forma segura para poder sostener con confianza y como mínimo 35 lb (15.9 kg). Usa solo cajas eléctricas aprobadas por UL y marcadas como “Apropiadas para sostener ventiladores de 35 lb (15.9 kg) o menos”. No uses una caja eléctrica de plástico.

Las ilustraciones a continuación muestran tres formas distintas de montar la caja eléctrica.



NOTA: Tal vez necesites un tubo bajante más largo para mantener la altura mínima adecuada de las aspas, al instalar el ventilador en un techo inclinado. El ángulo máximo permitido es 30° desde la horizontal.



Si la cubierta toca el tubo bajante, retira la tapa inferior decorativa de la cubierta y gira 180° esta última antes de fijarla a la placa de montaje.

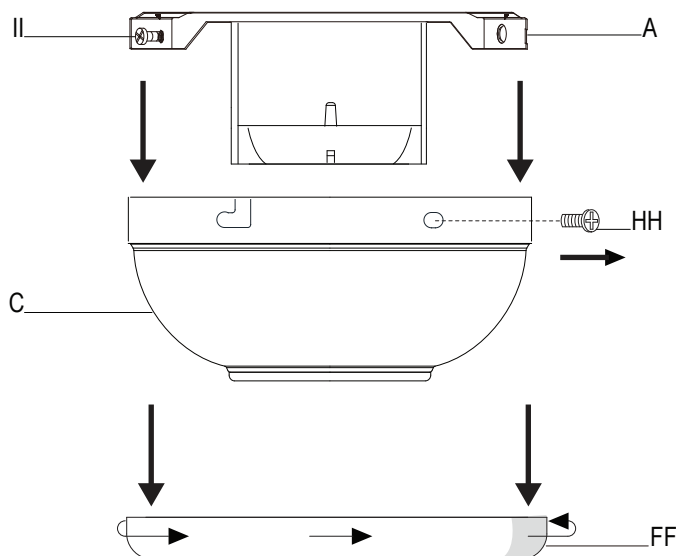
Para colgar el ventilador donde ya haya una lámpara pero ninguna viga de techo, tal vez necesites una barra colgante como se muestra anteriormente

(disponible en cualquier tienda de The Home Depot).

Ensamblaje - Montaje estándar en techo

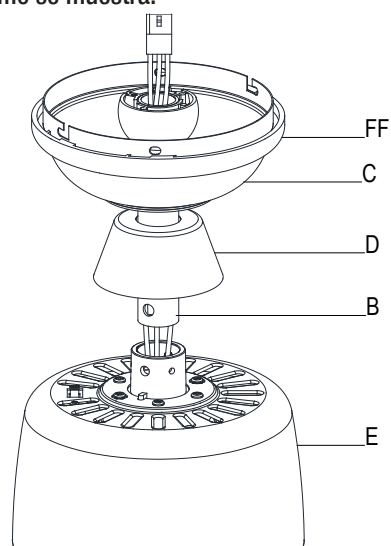
1 Preparación para el montaje

- Retira de la cubierta (C) su aro (FF) girándolo hacia la izquierda hasta liberarlo.
- Retira el soporte de montaje (A) de la cubierta (C) aflojando los dos tornillos de la cubierta (II) ubicados en las ranuras en forma de L.
- Quita y guarda los dos tornillos de la cubierta (HH) en los orificios redondos. Esto te permitirá retirar el soporte de montaje (A).



2 Disposición de los cables

- Inserta los cables que salen por la parte superior del conjunto motor-ventilador (E) a través del centro del aro de la cubierta (FF). Asegura que las ranuras del aro de la cubierta (FF) queden en la parte superior.
- Inserta el conjunto del tubo bajante/esfera (B) a través de la cubierta (C) y desliza la cubierta decorativa del collarín del motor (D) en el extremo del conjunto del tubo bajante/esfera (B). Asegúrate de que las ranuras de la cubierta (C) queden en la parte superior.
- Inserta los cables que salen por la parte superior del conjunto motor-ventilador (E) a través del conjunto del tubo bajante/esfera (B) como se muestra.



3 Cómo ensamblar el ventilador

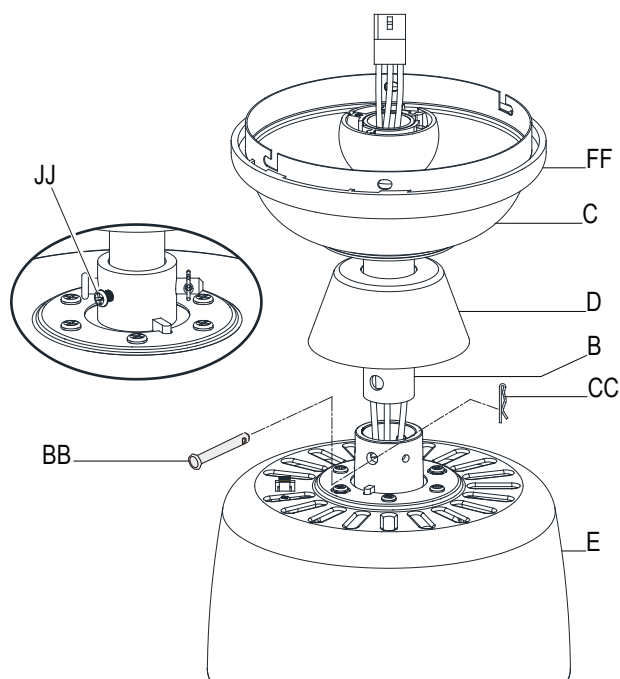


ADVERTENCIA: Si no instalas bien el pasador de cierre (CC) es posible que el ventilador se afloje y caiga.



PRECAUCIÓN: Para asegurarte de que no haya oscilación y evitar dañar el ventilador, el conjunto del tubo bajante/esfera (B) y el tornillo del fijación (JJ) tienen que estar completamente ajustados.

- Afloja, sin quitarlos, los tornillos de fijación (JJ) en la parte superior del conjunto del motor del ventilador (E).
- Alinea los orificios en la parte inferior del conjunto del tubo bajante/esfera (B) con los orificios del collarín en la parte superior del conjunto del motor del ventilador (E).
- Inserta con cuidado el pasador de soporte (BB) a través de los orificios del collarín y del conjunto del tubo bajante/esfera (B). Ten cuidado de no forzar el pasador de soporte (BB) contra el cableado dentro del conjunto del tubo bajante/esfera (B).
- Inserta el pasador de cierre (CC) en el orificio cercano al extremo del pasador de soporte (BB) hasta que quede encajado en su posición.
- Vuelve a apretar los tornillos de fijación (JJ) en el collarín sobre la parte superior del conjunto ensamblado motor-ventilador (E).



Ensamblaje - Cómo colgar el ventilador

1 Cómo fijar el ventilador a la caja eléctrica

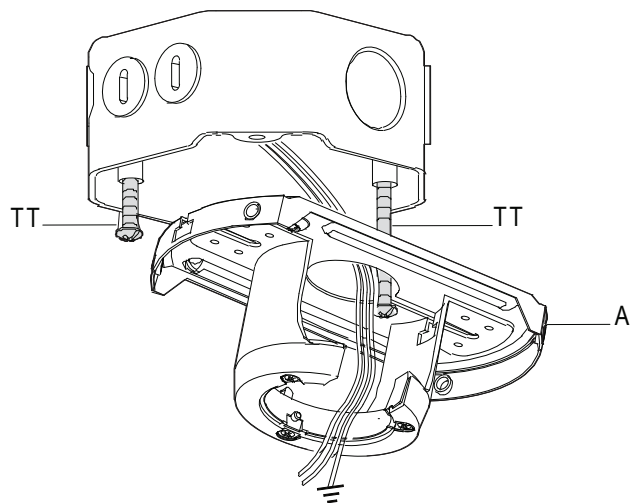


ADVERTENCIA: Para reducir el riesgo de incendio, descarga eléctrica o lesiones personales, instala solo en una caja eléctrica clasificada como "apropiada para sostener ventiladores de 35 lb (15.9 kg) o menos" y usa los tornillos que vienen con ella.



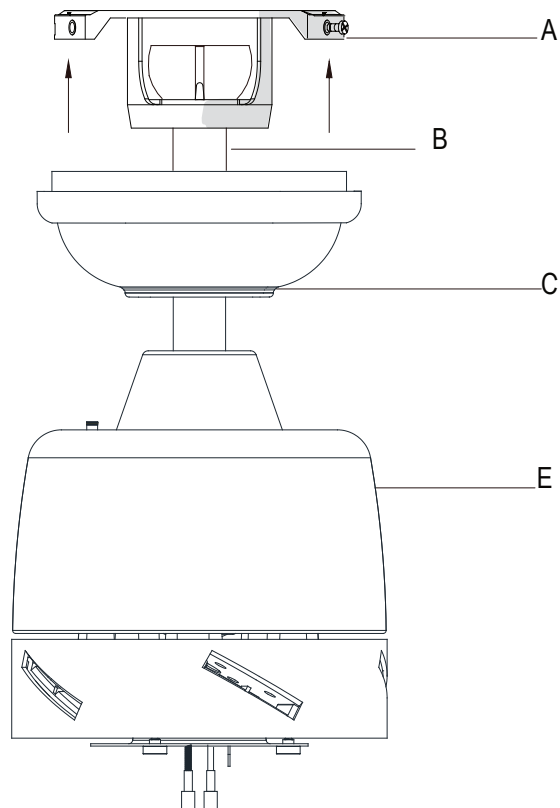
NOTA: El soporte de montaje deslizante (A) está diseñado para ser colocado sobre una caja eléctrica con los tornillos de esta (TT) ya instalados.

- Afloja los dos tornillos de montaje (TT) de la caja eléctrica.
- Pasa los cables de suministro de 120 V a través del orificio central en el soporte de montaje (A).
- Desliza el soporte de montaje deslizante (A) en los tornillos de montaje (TT) y centra el soporte de montaje deslizante (A) en relación con la caja eléctrica. Si es necesario, usa arandelas niveladoras (no se incluyen) entre el soporte de montaje deslizante (A) y la caja eléctrica. El lado plano del soporte de montaje deslizante (A) debe mirar hacia la caja eléctrica, como se muestra.
- Ajusta firmemente los dos tornillos de montaje (TT).



2 Cómo colgar el ventilador

- Levanta con cuidado el conjunto motor-ventilador (E) hasta el soporte de montaje deslizante (A).
- Inserta la esfera del conjunto del tubo bajante/esfera (B) en el casquillo del soporte de montaje deslizante (A).
- Gira el conjunto de tubo bajante/esfera (B) hacia la derecha hasta que quede encajado con la pestaña del soporte de montaje deslizante (A) alineada con la ranura de la esfera.



Ensamblaje - Cómo colgar el ventilador (continuación)

3 Cómo configurar el código del control remoto y el receptor

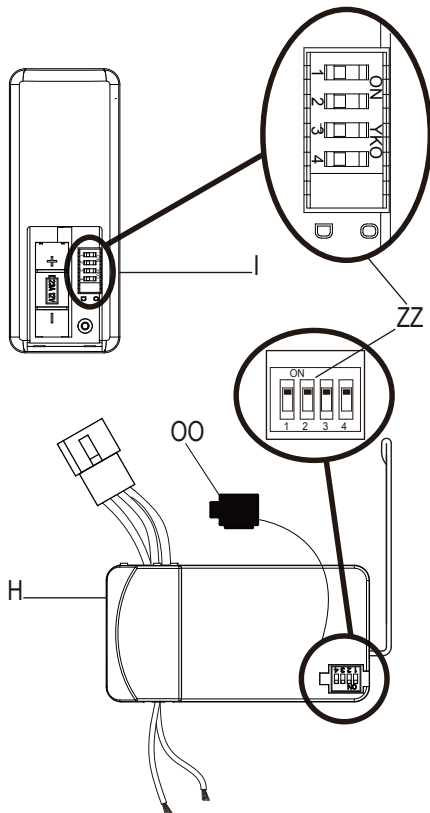


NOTA: Las frecuencias del receptor y de la unidad de mano han sido preconfiguradas de fábrica. Antes de instalar el receptor, asegure que los interruptores en línea del receptor y de la unidad de mano estén en la misma frecuencia. Los interruptores en línea en la unidad de mano están ubicados dentro del compartimiento de la batería.



NOTA: La batería se debilitará con el tiempo y deberá ser reemplazada antes de que se produzca alguna fuga, ya que esto dañará la unidad de mano. Mantén la batería fuera del alcance de los niños y deséchala adecuadamente tras agotarse.

- ❑ Quita la cubierta de la batería del control remoto (I) presionando con firmeza sobre la flecha y deslizando la cubierta hasta liberarla.
- ❑ Desliza los interruptores en línea (ZZ) hacia arriba o abajo según prefieras. La configuración de fábrica es hacia arriba.
- ❑ Desliza los interruptores en línea (ZZ) sobre el receptor (H) hacia la misma posición fijada para el control remoto (I).
- ❑ Instala la batería A23 de 12 V (K).
- ❑ Coloca de nuevo la cubierta de la batería en el control remoto (I).
- ❑ Inserta el tapón de goma de silicona (OO) en el orificio del receptor (H) para cubrir los interruptores.



4 Cómo instalar el receptor



ADVERTENCIA: Para reducir el riesgo de incendio o descarga eléctrica, recuerda desconectar la electricidad. El cableado eléctrico debe cumplir todos los requisitos de códigos eléctricos nacionales y locales. La fuente de energía y el ventilador tienen que ser de 110/120 V y 60 Hz. No utilizar este producto con ningún control variable de pared. Conectar el cableado de manera incorrecta dañará este receptor.

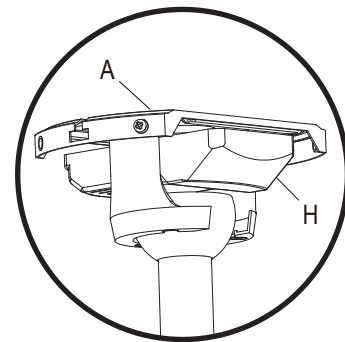
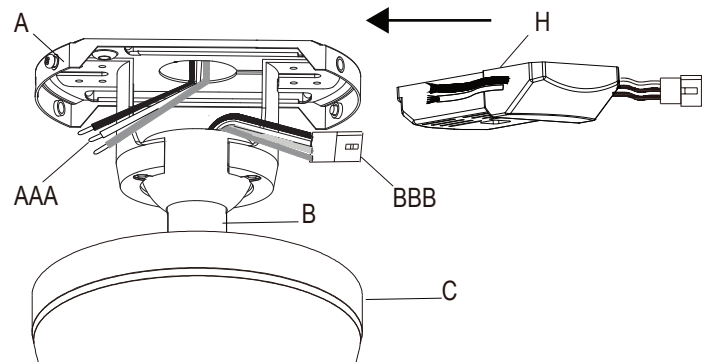


PRECAUCIÓN: Si otros cables del ventilador son de color diferente, un electricista certificado deberá instalar esta unidad.



PRECAUCIÓN: No instales el receptor en lugares húmedos ni lo sumerjas en agua. (Sólo para uso en interiores). No hales ni recortes los cables terminales del receptor. No dejes caer ni golpes la unidad.

- ❑ Ubica los cables de suministro doméstico (AAA) a un lado del soporte de montaje deslizante (A) y coloca los cables del ventilador (BBB) en el lado opuesto.
- ❑ Inserta el extremo angosto del receptor (H) (como se muestra, con el lado plano hacia el techo) en el soporte de montaje deslizante (A) hasta dejarlo apoyado en la parte superior del conjunto del tubo bajante/esfera (B).



Receptor (H) correctamente colocado en soporte de montaje deslizante (A).

Ensamblaje - Cómo colgar el ventilador (continuación)

5 Cómo cablear el receptor al cableado del hogar



ADVERTENCIA: Para evitar posible descarga eléctrica, desconecta la electricidad en la caja principal de fusibles antes de cablear. En caso de no tener suficiente conocimiento o experiencia sobre cableado eléctrico, contacta a un electricista certificado.

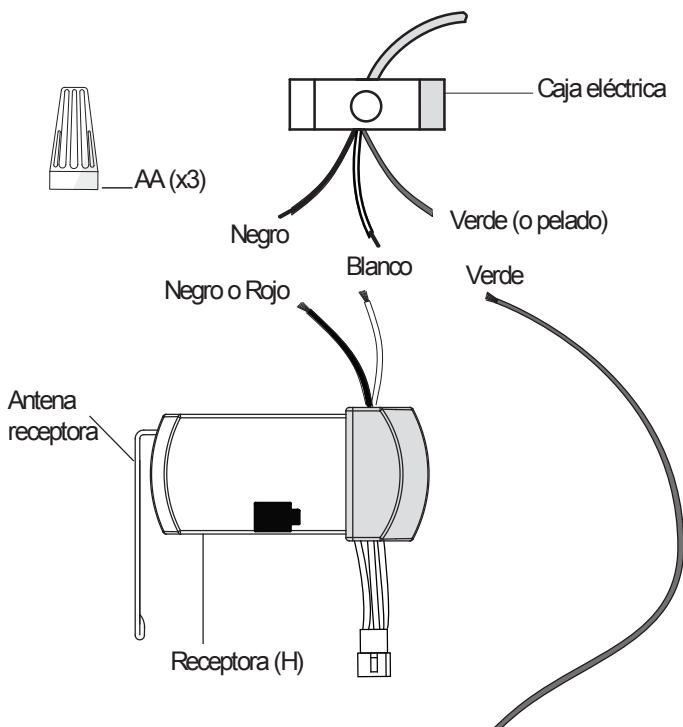


ADVERTENCIA: Cada tuerca para cable suministrada con este ventilador está diseñada para aceptar hasta un cable doméstico de calibre 12 y dos cables del ventilador. Si tu cableado doméstico tiene calibre mayor de 12 o más de un cable para conectar al cableado del ventilador, consulta a un electricista para saber el tamaño adecuado de las tuercas a usar para los cables.



IMPORTANTE: Usa las tuercas de conexión de cables (AA) incluidas con tu ventilador. Sujeta los conectores con cinta de electricista y asegúrate de que no haya conexiones o cables sueltos.

- Separa los cables de manera que los cables verde y blanco queden de un lado de la caja eléctrica y el cable negro quede del otro lado.
- Conecta los cables verdes del ventilador al cable de conexión a tierra de la casa (este puede ser verde o pelado) con una tuerca de conexión de cables (AA).
- Conecta el cable negro o rojo del receptor (H) al cable negro del hogar (positivo), usando una tuerca de conexión de cables (AA).
- Conecte el cable blanco del receptor (H) al cable blanco (neutro) del hogar con una tuerca de conexión de cables (AA).
- Asegura cada tuerca de conexión de cables con cinta de electricista.

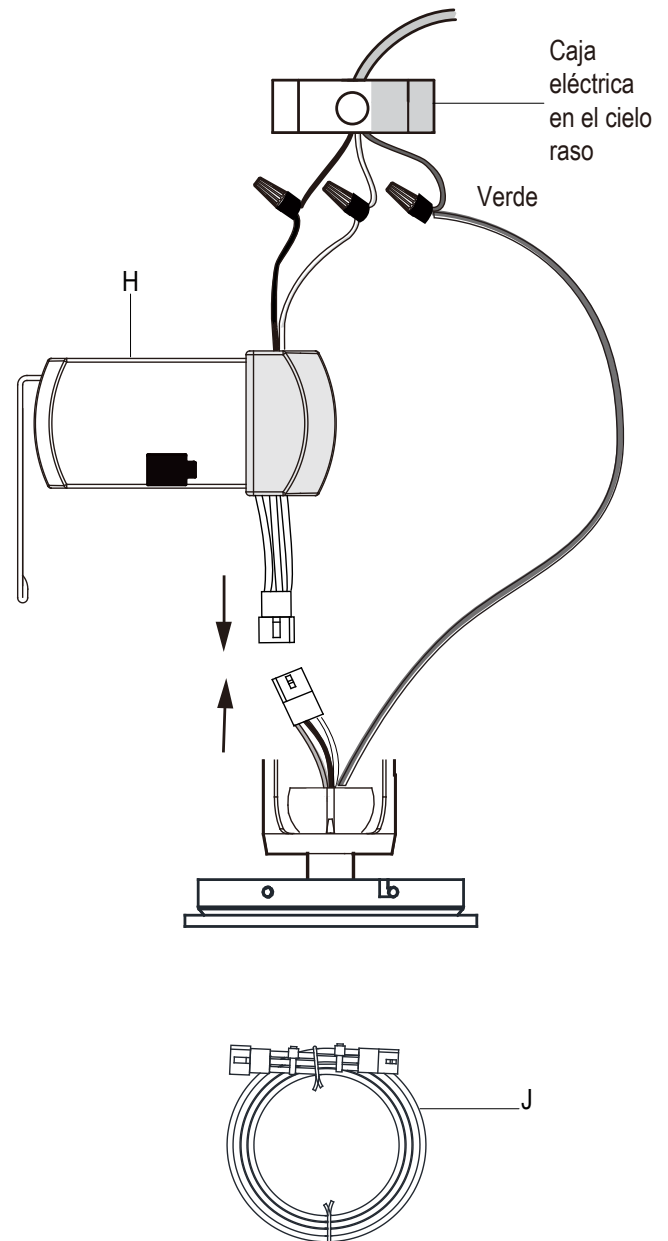


6 Cómo cablear el ventilador al receptor



NOTA: El ventilador viene con cables terminales de 8 plg (20.3 cm) para usar con el conjunto de tubo bajante/esfera (B) de 6 plg (15.2 cm) incluido. Si deseas un tubo bajante más largo, puedes usar la extensión (J) de cable conductor (42 plg = 107 cm) incluida.

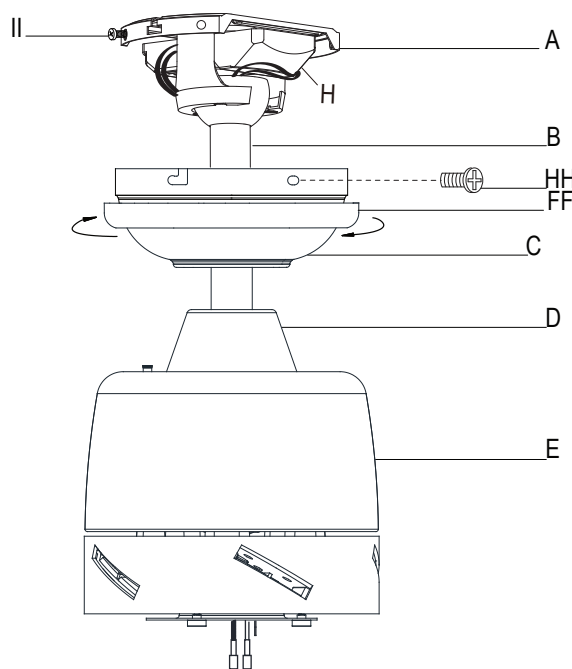
- Si usas el conjunto del tubo bajante/esfera (B) de 6 plg (15.2 cm) incluido, conecta los cables del receptor a los cables del ventilador uniendo el enchufe del adaptador moldeado del receptor (H) con el adaptador moldeado del conjunto del motor del ventilador (E).
- Si deseas un tubo bajante más largo, puedes usar la extensión de cable conductor (42 plg = 1.07 m) (J) conectando el adaptador moldeado.



Ensamblaje - Cómo colgar el ventilador (continuación)

7 Montaje del conjunto del motor del ventilador (montaje estándar)

- Alinea las ranuras de cierre de la cubierta (C) con los dos tornillos (II) del soporte de montaje deslizante (A). Alza para enganchar las ranuras y gira de izquierda a derecha para asegurar en su sitio.
- Ajusta firmemente los dos tornillos de montaje (II).
- Instala los dos tornillos de la cubierta (HH) (guardados en el Paso 1 “Preparación para el montaje en la sección “Ensamblaje”) en los orificios de la cubierta (C) y aprieta firmemente.
- Instala el aro de cubierta decorativo (FF) alineando sus ranuras con los tornillos en la cubierta (C). Gira el aro hacia la derecha para fijarlo en su lugar.

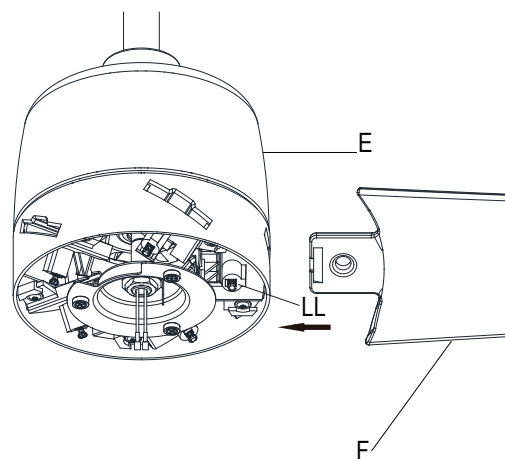


Ensamblaje - Cómo fijar las aspas del ventilador

1 Cómo conectar las aspas al motor

NOTA: La instalación de las aspas debe completarse adecuadamente antes de instalar el kit de luces.

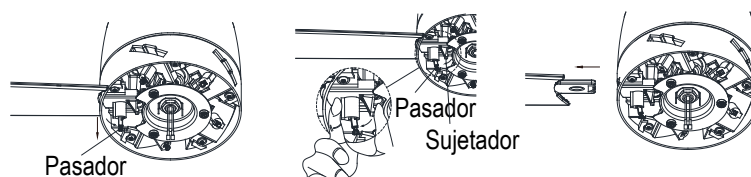
- Fija un aspa (F) al conjunto del motor del ventilador (E) insertando aquella (F) dentro de la ranura del lateral de esta (E) hasta que se detenga. La presilla de cierre (LL) hará clic cuando el aspa esté instalada correctamente. Asegúrate de que el aspa encaje completamente en la presilla de cierre (LL) halando el aspa de ventilador para separarla de la carcasa del motor.
- Repite estos pasos para ensamblar las aspas restantes (F).



Cómo desconectar las aspas del motor:

NOTA: Asegúrate de haber volteado la placa negra con muesca hacia el aspa que deseas desconectar.

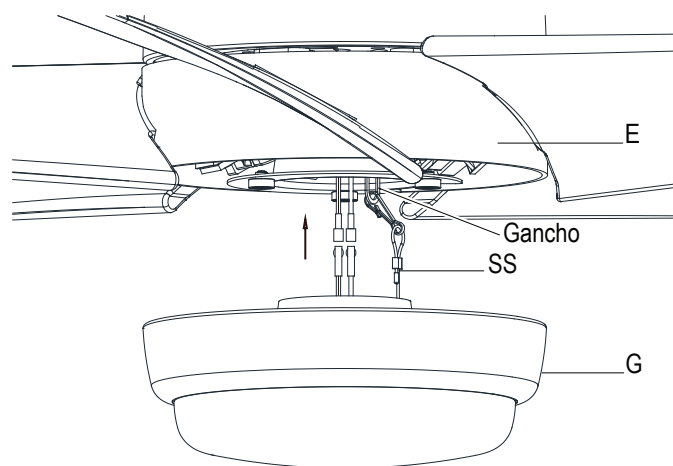
- Hala hacia abajo el pasador de cierre del aspa y gíralo hacia la derecha. Asegúrate de que el pasador esté bien enganchado en la ranura negra.
- Para retirar el aspa (F) del conjunto del motor del ventilador (E), aprieta la pestaña de la presilla de cierre (LL) hacia la dirección de las aspas y hala el aspa para separarla de la carcasa del motor.
- Repite estos pasos para ensamblar las aspas restantes (F).



Ensamblaje – Cómo montar los accesorios

1 Cómo instalar el conjunto del soporte del kit de luces

- Conecta los cables del conjunto del kit de luces (G) a los cables del conjunto del motor del ventilador (E) juntando los enchufes de adaptador moldeado. Coloca con cuidado todos los cables y empalmes dentro de la caja del interruptor y conecta el cable de seguridad (SS) del conjunto del kit de luces (G) al gancho del ensamblaje del motor (E).
- Empuja el conjunto del kit de luces (G) hacia el ensamblaje del motor (E) alineando la parte magnética del ensamblaje del motor (E) hasta que quede seguro.



Cómo usar el ventilador

Control remoto - Tu ventilador está equipado con un control remoto que controla la velocidad y las luces.

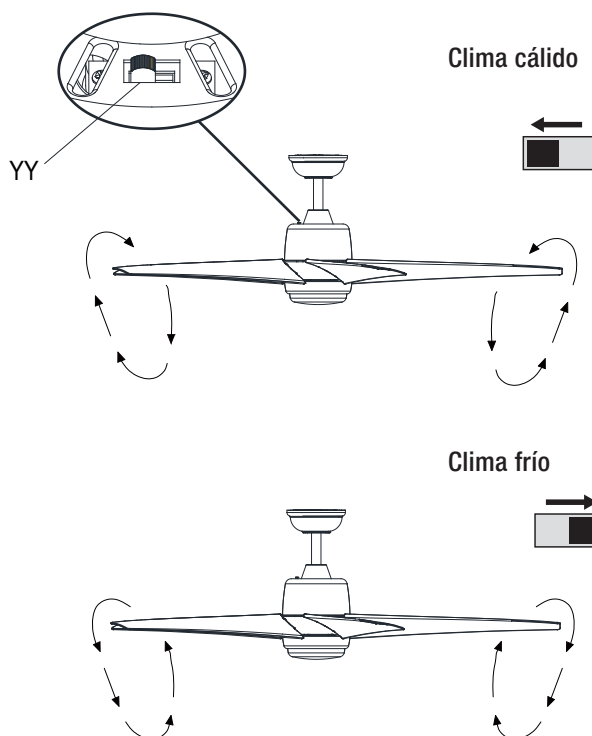
Las configuraciones de velocidad para clima cálido o frío dependen de factores tales como tamaño de la habitación, altura del techo, cantidad de ventiladores y otros.

El ventilador se envía desde la fábrica con el interruptor de reversa (YY) colocado para hacer circular el aire hacia abajo. Si deseas dirigir la corriente de aire en sentido contrario, apaga el ventilador y espera que las aspas se detengan. Enseguida desliza el interruptor de reversa (ubicado sobre la carcasa del motor) en el sentido opuesto y vuelve a encender el ventilador. Las aspas del ventilador girarán en sentido contrario e invertirán el flujo del aire.

Clima cálido: (Hacia adelante) Un flujo de aire descendente surte un efecto refrescante.

Esto te permite fijar tu aire acondicionado en una configuración más alta sin afectar tu comodidad.

Clima frío: (Reversa) Un flujo de aire hacia arriba desplaza el aire cálido del cielo raso. Esto permite fijar tu unidad de calefacción en una configuración más baja sin afectar tu comodidad.



Cómo usar el control remoto

 **ENCENDIDO/APAGADO:** Presiona y suelta el botón para encender o apagar el ventilador y la luz.

 **Velocidad del ventilador:** Las luces LED en el botón de velocidad del ventilador indicarán la velocidad correspondiente.

Presionar y soltar 1 vez: para encender el ventilador a velocidad alta.

Presionar y soltar 2 veces: para encender el ventilador a velocidad media.

Presionar y soltar 3 veces: para encender el ventilador a baja velocidad.


Presionar y soltar 4 veces: para apagar el ventilador.

 **ENCENDIDO Y APAGADO de luces (ON/OFF)**

Presiona y suelta el botón para encender o apagar la luz.

Presiona y mantén presionado el botón para activar la función de regulación de intensidad luminosa.

 **Cómo cambiar la temperatura de color correlacionada (CCT)**

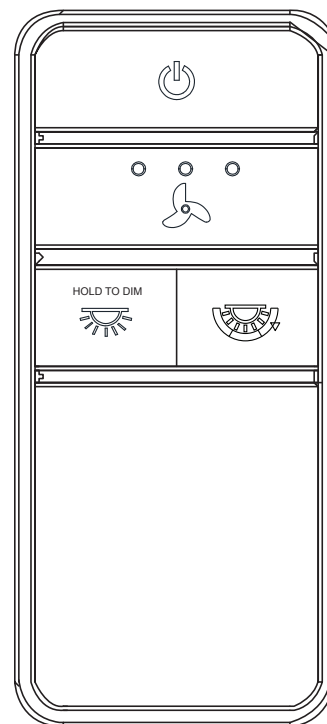
 **NOTA:** La temperatura configurada por defecto de la luz del ventilador de techo es de 3000K (Blanca suave).

Presiona y suelta el botón para pasar por las tres opciones de color según la temperatura.

Opción 1: 2700K (Blanca cálida)

Opción 2: 3000K (Blanca suave)

Opción 3: 5000K (Luz natural).



Mantenimiento y limpieza



ADVERTENCIA: Asegúrate de que la corriente esté apagada antes de limpiar el ventilador.

- Debido al movimiento natural del ventilador, algunas conexiones pueden aflojarse. Revisa dos veces al año las conexiones de soporte, los soportes y los accesorios de las aspas. Comprueba que estén seguros. No es necesario desmontar el ventilador del techo.
- Hay que limpiar el ventilador con frecuencia para que luzca como nuevo al paso de los años. No usar agua para limpiarlo. Esto puede dañar el motor o la madera e incluso provocar una descarga eléctrica. Usa sólo un cepillo suave o un paño sin pelusas para evitar arañar el acabado.
- Puedes aplicar a la madera una fina capa de pulimento para muebles y dar así más protección y belleza. Cubre los rayones diminutos con una ligera aplicación de lustrador para calzado.
- No necesitas lubricar tu ventilador. El motor tiene cojinetes de bola sellados y permanentemente lubricados.

Solución de problemas

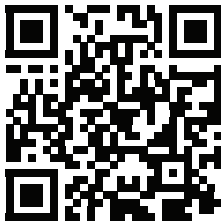
Problema	Solución
El ventilador no enciende.	<ul style="list-style-type: none"><input type="checkbox"/> Verifica los fusibles o disyuntores principales y secundarios.<input type="checkbox"/> Verifica las conexiones de cables en línea al ventilador y las conexiones de cables del interruptor en la caja correspondiente.<input type="checkbox"/> Revisa la batería del control remoto.<input type="checkbox"/> Asegura que estés en el rango normal de 10 a 20 pies (3 a 6 metros).<input type="checkbox"/> Recuerda desconectar la electricidad antes de verificar las configuraciones del interruptor.
El ventilador hace ruido.	<ul style="list-style-type: none"><input type="checkbox"/> Asegúrate de que todos los tornillos de la carcasa del motor estén ajustados.<input type="checkbox"/> Verifica que los tornillos que unen el soporte de aspa al cubo del motor estén bien apretados.<input type="checkbox"/> Asegura que las conexiones de tuerca de cable no choquen unas con otras ni con la pared interior de la caja del interruptor.<input type="checkbox"/> Deja que transcurra un período de “adaptación” de 24 horas. En ese período desaparecen la mayoría de los ruidos asociados a un ventilador nuevo.<input type="checkbox"/> Si usas el kit de luces de ventilador de techo, asegura que los tornillos que sujetan el vidrio estén bien apretados. Verifica que las bombillas también estén aseguradas.<input type="checkbox"/> Controla que la cubierta quede a corta distancia del techo. No debe tocar el techo.<input type="checkbox"/> Asegúrate de que la caja eléctrica quede bien ajustada y se hayan instalado almohadillas aislantes de goma entre la placa de montaje y la caja eléctrica.
El ventilador oscila.	<ul style="list-style-type: none"><input type="checkbox"/> Verifica que todas las aspas y los tornillos de sus brazos estén bien ajustados.<input type="checkbox"/> La mayoría de los problemas de oscilación del ventilador se debe a que las aspas no están al mismo nivel. Verifica este nivel seleccionando un punto en el cielo raso sobre la punta de una de las aspas. Mide desde un punto en el centro de cada aspa a un punto en el techo. Rota el ventilador hasta que la siguiente aspa esté en posición para medir y mide desde el mismo punto en cada aspa hasta el cielo raso. Repite el procedimiento para cada aspa. Las desviaciones de la medición no deben pasar de 1/8 plg (0.32 cm) durante diez minutos. Si el ventilador continúa oscilando, comunícate con el servicio al cliente y te enviarán un kit de compensación de aspas, sin costo alguno.

HAMPTON BAY®

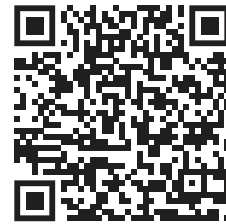
¿Preguntas, problemas, piezas faltantes? Antes de devolver a la tienda, llama al servicio al cliente de Hampton Bay entre 8:00 a.m. y 7:00 p.m. (hora del Este), de lunes a viernes, y los sábados de 9:00 a.m. a 6:00 p.m. (hora del Este)

1-855-HD-HAMPTON
HAMPTONBAY.COM

Conserva este manual para uso futuro.



Escanea para texto



Escanea para obtener información

Este equipo fue sometido a prueba y se determinó que cumple con los límites establecidos para un dispositivo digital Clase B según la Parte 15 de las Normas FCC. Estos límites fueron establecidos para dar protección razonable contra la interferencia dañina en uso residencial. Este equipo genera, consume y puede irradiar energía de radiofrecuencia; si no se instala y usa de acuerdo con las instrucciones, puede causar interferencia nociva a comunicaciones radiales. Sin embargo, no hay garantía de que no ocurrirá interferencia en cierta instalación particular. Si este equipo causa interferencia perjudicial a la recepción de radio o televisión, que puede determinarse encendiendo y apagando el equipo, se recomienda al usuario tratar de corregir la interferencia con una o más de las siguientes medidas:

- Reorientar o reubicar la antena receptora.
- Incrementar la distancia entre los equipos y el receptor.
- Conectar el equipo a un tomacorriente en circuito distinto del receptor.
- Pedir asistencia al concesionario o a un técnico de radio/TV con experiencia.

PRECAUCIÓN:

Los cambios o modificaciones sin aprobación expresa del responsable de este dispositivo podrían anular el derecho del usuario a operar el equipo.

Este dispositivo cumple con la Parte 15 de las Normas FCC. Su operación está sujeta a las dos condiciones siguientes: (1) Este dispositivo no debe causar interferencia dañina y (2) tiene que aceptar cualquier interferencia recibida, incluyendo aquella que pudiera afectar su funcionamiento.