



Champion Power Equipment, Inc., Santa Fe Springs, CA USA

MODEL #100416

PARTS INFORMATION

8000W TRI-FUEL PORTABLE GENERATOR

SERIAL NUMBER RANGE: ALL



To order replacement parts please visit:
shop.championpowerequipment.com
or call **1-877-338-0999**.

TABLE OF CONTENTS

Generator Parts Diagram	3
Generator Parts List.....	4
Engine Parts Diagram	6
Engine Parts List.....	7
Cylinder Head Parts Diagram	9
Cylinder Head Parts List	10
Alternator Parts Diagram.....	11
Alternator Parts List	12
Fuel Tank Parts Diagram.....	13
Fuel Tank Parts List	14
Control Panel Parts Diagram.....	15
Control Panel Parts List	16
Frame Parts Diagram	17
Frame Parts List	18
Wiring Diagram	19

GENERATOR PARTS DIAGRAM

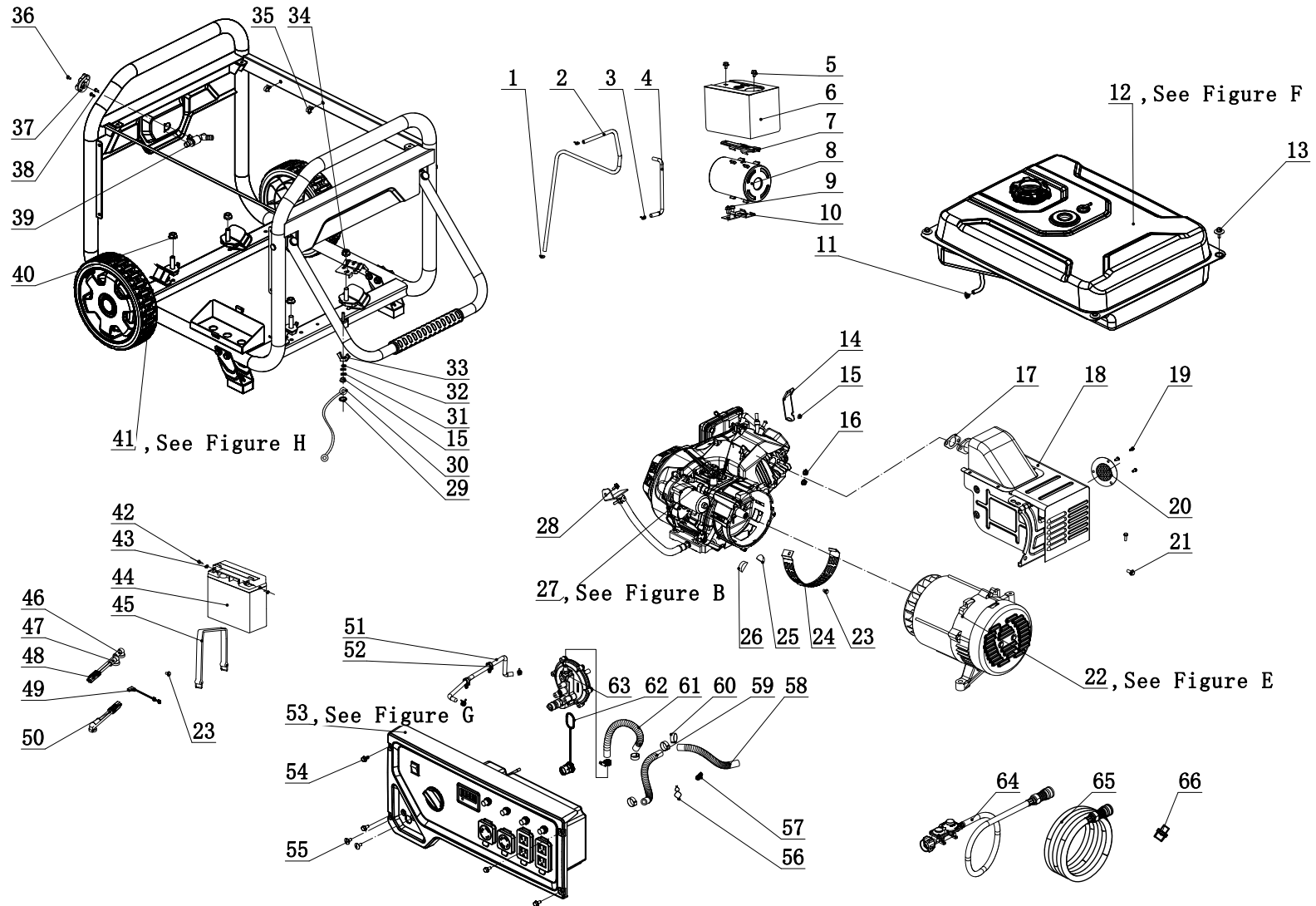


Figure A

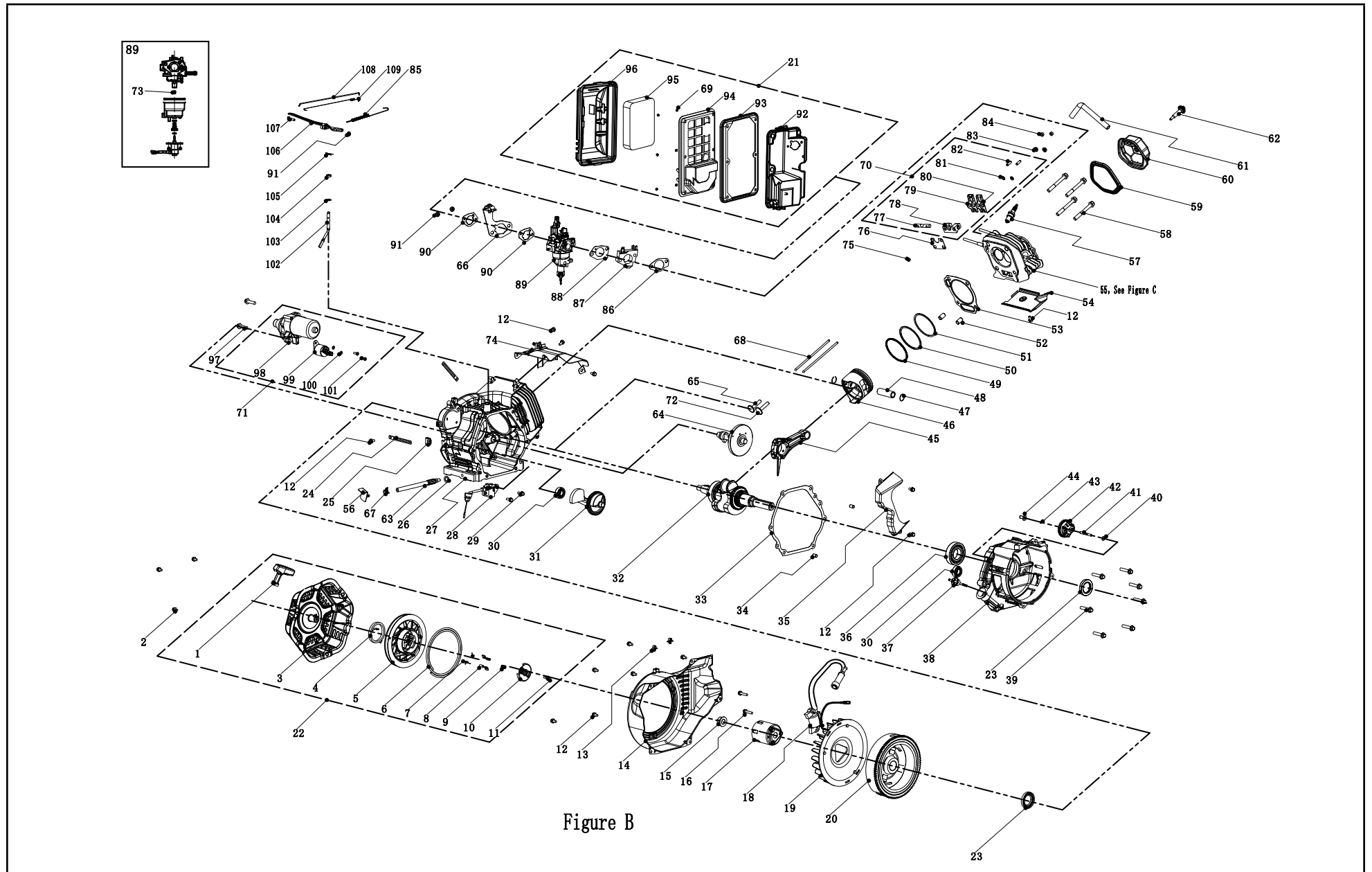
GENERATOR PARTS LIST

#	Part Number	Description	Qty.
1	2.06.006	Clamp, Ø7 x Ø1	2
2	122.070014.01	Pipe, Reversal Valve	1
3	2.06.004	Clamp, Ø8 x Ø1	1
4	152.070013.03	Pipe, Air Cleaner, 135 mm	1
5	1.5789.0608.1	Flange Bolt M6 x 8, Black	2
6	152.070018.03	Board, Heat Insulation	1
7	152.070702.06	Support Arm, Top	1
8	152.070700.04	Carbon Canister, 750 cc	1
9	1.16674.0812	Flange Bolt M8 x 12	2
10	152.070702.05	Support Arm, Bottom	1
11	2.06.016	Clamp Ø8.7 x b8	3
12	152.070000.60.48	Fuel Tank, 32L, Yellow See Figure F	1
13	2.08.143.1	Flange Bolt/Washer Assembly M6 x 20, Black	4
14	45.090006.20	Holder, Air Cleaner	1
15	1.6177.1.06	Lock Nut M6, Flange	2
16	1.6177.1.08	Lock Nut M8, Flange	2
17	46.100001.07	Gasket, Exhaust	1
18	46.101000.01.2	Muffler Assembly	1
19	1.9074.4.0510	Screw/Washer Assembly M5 x 10	3
20	46.101300.00	Spark Arrester Assembly	1
21	1.16674.0820	Flange Bolt M8 x 20	2
22	153.190000.33	Motor combination, AI, Ø190 x 158 mm, DC 12V See Figure E	1
23	1.5789.0608	Flange Bolt M6 x 8	2
24	152.192300.01	Air Guide	1
25	152.190005.00	Rubber, Fore-Cover, A	1
26	152.190005.01	Rubber, Fore-Cover, B	1
27	48.692	Engine, 459cc See Figure B	1
28	1.5789.0612	Flange Bolt M6 x 12	1
29	1.862.06	Lock Washer Ø6, Toothed	1

#	Part Number	Description	Qty.
30	5.1900.026	Grounding Line 150 mm	1
31	1.97.1.06.2	Washer Ø6	2
32	1.93.06	Lock Washer Ø6	1
33	1.62.06	Butterfly Type Nut M6	1
34	152.100007.00	Insulation Board, Motor Mount	1
35	2.05.001	Clamp, Ø8 x 6.5	2
36	1.823.0408.1	Screw M4 x 8, Black	1
37	122.070025.03	Knob	1
38	1.823.0406.1	Screw M4 x 6, Black	2
39	152.074000.04	Valve, Fuel Select	1
40	1.6177.1.10	Lock Nut M10, Flange	4
41	65301.100416	Frame, Wheel Kit See Figure H	1
42	1.9074.3.0510	Screw/Washer Assembly M5 x 10	2
43	1.6177.1.05	Lock Nut M5, Flange	2
44	9.1000.150	Battery 12V15AH	1
45	152.200904.00	Pinch, Rubber	1
46	152.200013.02	Jacket, Wire, Black	1
47	152.200013.02.3	Jacket, Wire, Red	2
48	5.1900.127	Battery SAE Wire	1
49	152.200013.03	Sleeve, Connector	1
50	5.1900.129	Motor SAE Wire	1
51	152.070011.25	Fuel Pipe, Fuel Valve to Carburator, 430+25mm	1
52	2.05.009	Clamp Ø12.5 x 7	2
53	100416.21	Control Panel Assembly, See Figure G	1
54	1.5789.0615.1	Flange Bolt M6 x 15, Black	4
55	2.08.055	Bolt M6 x 14	2
56	2.06.050	Clamp, Ø8 x Ø18	1
57	2.06.015	Clip Ø20	2
58	152.070012.25	Hose 200 mm	1

#	Part Number	Description	Qty.
59	152.070012.24	Hose 230 mm	1
60	2.06.053	Clip Ø22	4
61	152.070012.27	Hose 260 mm	1
62	9.1500.006	Sleeve, Connector	1
63	47.136000.06	Pressure-reducing Valve	1
64	152.070012.19	LPG Hose With Regulator 6.56 ft.	1
65	152.070012.23	Hose Assembly, Natural Gas, 1/2 in. x 25 ft.	1
66	152.250501.00	Fitting, Adapter, 1/2" 37° Male Flare x 1/2" Male NPT	1

ENGINE PARTS DIAGRAM



ENGINE PARTS LIST

#	Part Number	Description	Qty.
1	21.061300.01.48	Handle, Recoil, Soft Yellow	1
2	1.16674.0608	Flange Bolt M6 x 8	3
3	46.061100.03.2	Cover, Recoil Starter, Black	1
4	45.060005.00	Spring, Recoil Starter	1
5	45.061102.00	Reel, Recoil Starter	1
6	2.10.003.1	Rope Ø4 x 1550, Black	1
7	45.060003.00	Spring, Ratchet	2
8	45.060002.00	Starter Ratchet, Steel	2
9	45.060009.00	Spring, Ratchet Guide	1
10	45.060007.00	Ratchet Guide	1
11	45.060008.00	Screw, Ratchet Guide	1
12	1.5789.0612	Flange Bolt M6 x 12	12
13	2.05.009	Clamp Ø12.5 x 7	2
14	47.080100.01.48	Fan Cover, Yellow	1
15	2.02.007	Nut M16 x 1.5	1
16	1.5789.0629	Flange Bolt M6 x 29	2
17	45.060001.00	Pulley, Starter	1
18	46.123000.07	Ignition Coil	1
19	48.080001.00	Cooling Fan	1
20	46.120100.05	Flywheel	1
21	46.091000.11	Air Cleaner Assembly	1
22	46.061000.03	Recoil Assembly	1
23	2.11.007	Oil Seal Ø35 x Ø52 x 8	2
24	2.05.050	Wire Clip 100 mm	2
25	152.070031.01	Sheath, Wire	1
26	2.03.023	Washer Ø12.5 x Ø20 x 2 , Drain Bolt	1
27	48.030100.00	Crankcase	1
28	45.127000.02	Oil Level Sensor	1
29	1.5789.0615	Flange Bolt M6 x 15	2
30	1.276.6202	Bearing 6202	2

#	Part Number	Description	Qty.
31	48.050006.00	Weight Balancer	1
32	47.050100.01	Crankshaft Assembly	1
33	46.030008.00	Gasket, Crankcase Cover	1
34	2.04.001	Dowel Pin Ø9 x 14	2
35	46.080600.00	Air Guide, Right Side	1
36	1.276.6207	Bearing 6207	1
37	46.031000.01.48	Oil Dipstick Assembly, Yellow	1
38	45.030007.00	Cover, Crankcase	1
39	1.5789.0840	Flange Bolt M8 x 40	7
40	2.03.021.1	Washer Ø6.4 x Ø13 x 1, Black	1
41	45.110013.00	Shaft, Governor Gear	1
42	45.110100.00	Gear, Governor	1
43	21.110011.00	Clip, Governor Gear	1
44	45.110012.00	Bushing, Governor Gear, Steel	1
45	47.050200.00	Connecting Rod Assembly	1
46	48.050005.00	Piston	1
47	2.09.004	Circlip Ø21 x Ø1	2
48	45.050003.00	Pin, Piston	1
49	48.050303.00	Ring, Oil	1
50	48.050302.00	Ring, Second Piston	1
51	48.050301.00	Ring, First Piston	1
52	2.04.004	Dowel Pin Ø12 x 20	2
53	48.030009.00	Gasket, Cylinder Head	1
54	46.080400.00	Air Guide, Lower	1
55	47.010000.01	Cylinder Head Assembly	1
56	45.030200.00	Support	1
57	2.15.008	Spark Plug F7RTC	1
58	2.08.122	Flange Bolt M10 x 95	4
59	46.020002.00	Gasket, Cylinder Head Cover	1
60	47.021000.00	Cover, Cylinder Head	1

#	Part Number	Description	Qty.
61	45.020001.02	Breather Tube	1
62	47.020100.00	Bolt, Cylinder Head Cover	1
63	45.032000.00	Hose, Oil Drain	1
64	48.041000.00	Camshaft	1
65	48.040013.00	Lifter, Intake Valve	1
66	45.130200.00	Support, Choker Rod	1
67	2.06.013	Clamp Ø13.5 x b10	1
68	46.040005.00	Push Rod	2
69	1.6177.1	Flange Nut M5	6
70	46.040200.00	Rocker Arm Assembly	1
71	45.125000.03	Starter Motor Assembly	1
72	45.040013.00	Lifter, Exhaust Valve	1
73	48.131017.01	Standard Main Jet	1
	48.131017.01.01	Altitude Main Jet	/
74	46.080300.20	Air Guide, Upper	1
75	45.040008.00	Rotator, Exhaust Valve	1
76	46.040004.00	Guide Plate, Push Rod	1
77	46.040016.00	Shaft, Rocker Arm	1
78	46.040201.00	Retainer, Rocker Arm	1
79	46.040009.00	Rocker Arm, Intake Valve	1
80	46.040018.00	Rocker Arm, Exhaust Valve	1
81	1.97.1.06	Washer Ø6	2
82	22.040012.00	Screw, Valve Adjustment	2
83	1.6177.1.06	Flange Nut M6	2
84	21.040021.00	Nut M6 x 0.5, Lock	2
85	45.110007.01	Spring, Governor	1
86	46.130002.20	Gasket, Insulator	1
87	45.130001.00	Insulator, Carburetor	1
88	46.130003.20	Gasket, Carburetor	1
89	48.131000.18	Carburetor	1
90	46.130004.20	Gasket, Air Cleaner	2
91	1.6177.06	Flange Nut M6	3

#	Part Number	Description	Qty.
92	46.091100.09	Base, Air Cleaner	1
93	45.091002.20	Seal, Air Cleaner	1
94	45.091001.20	Separator, Air Cleaner	1
95	45.091003.20	Element, Air Cleaner	1
96	46.091200.11	Cover, Air Cleaner	1
97	1.5789.0835	Flange Bolt M8 x 35	2
98	45.125100.00	Starter Motor	1
99	45.125200.03	Relay, Starter	1
100	1.93.05	Lock Washer Ø5	2
101	1.16674.0516	Flange Bolt M5 x 16	2
102	45.110001.00	Shaft, Governor Arm	1
103	2.03.019	Washer Ø8.2 x Ø17 x 0.8	1
104	2.11.006	Oil Seal Ø7 x Ø14 x 5	1
105	45.110008.00	Pin, Shaft	1
106	45.110003.01	Arm, Governor	1
107	2.08.040	Bolt M6 x 21, Governor Arm	1
108	45.110006.00	Rod, Governor	1
109	45.110005.00	Spring, Throttle Return	1

CYLINDER HEAD PARTS DIAGRAM

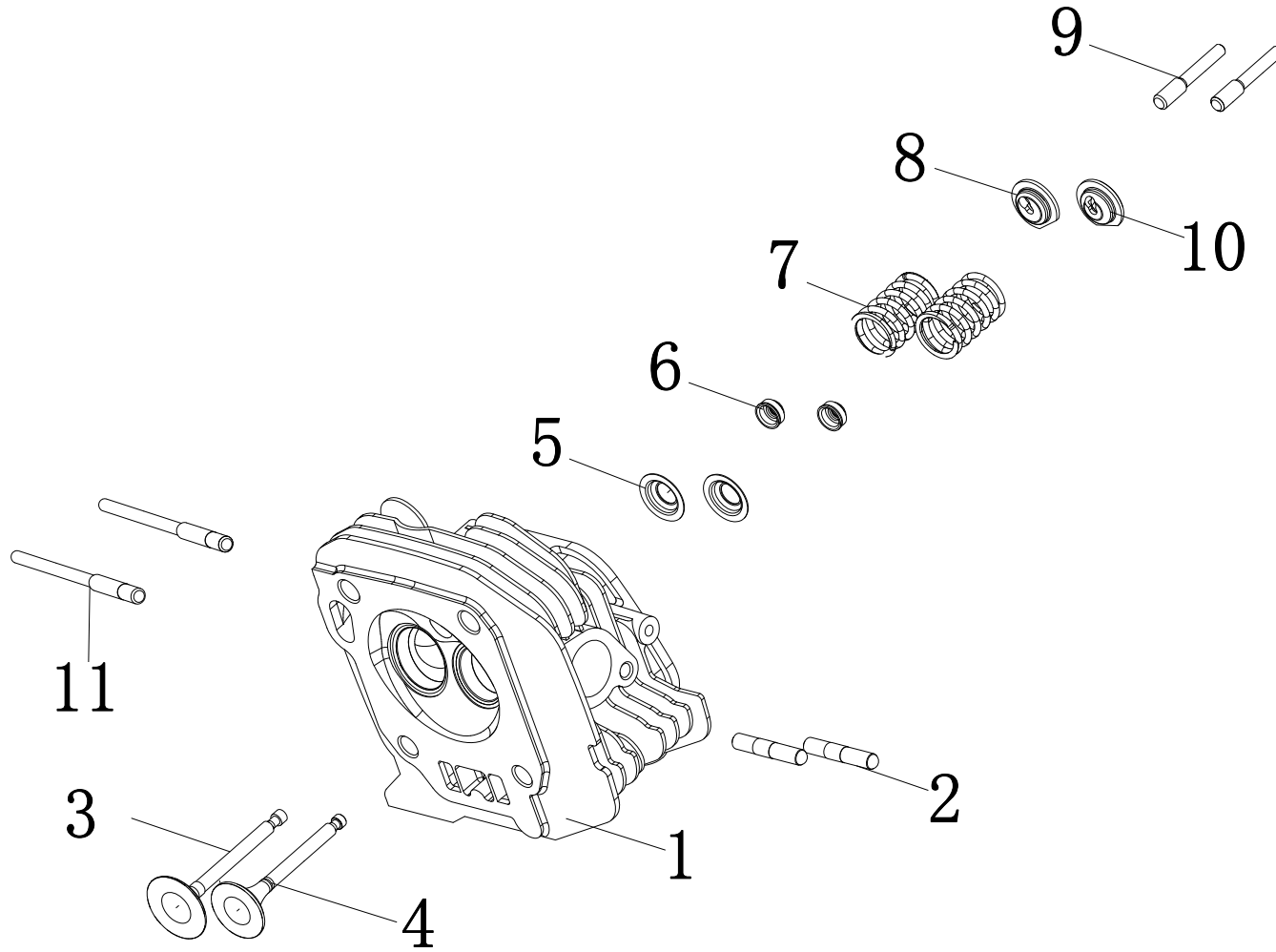


Figure C

CYLINDER HEAD PARTS LIST

#	Part Number	Description	Qty.
1	47.010100.01	Cylinder Head	1
2	2.01.010	Stud Bolt M8 x 35	2
3	47.040002.00	Valve, Intake	1
4	47.040006.00	Valve, Exhaust	1
5	45.040015.00	Retainer, Valve Spring	2
6	45.040017.00	Oil Seal, Valve	2
7	45.040003.00	Spring, Valve	2
8	45.040001.00	Retainer, Intake Valve Spring	1
9	23.040010.00	Bolt, Rocker Arm	2
10	45.040007.00	Retainer, Exhaust Valve Spring	1
11	2.01.008	Stud Bolt M6 x M8 x 105	2

ALTERNATOR PARTS DIAGRAM

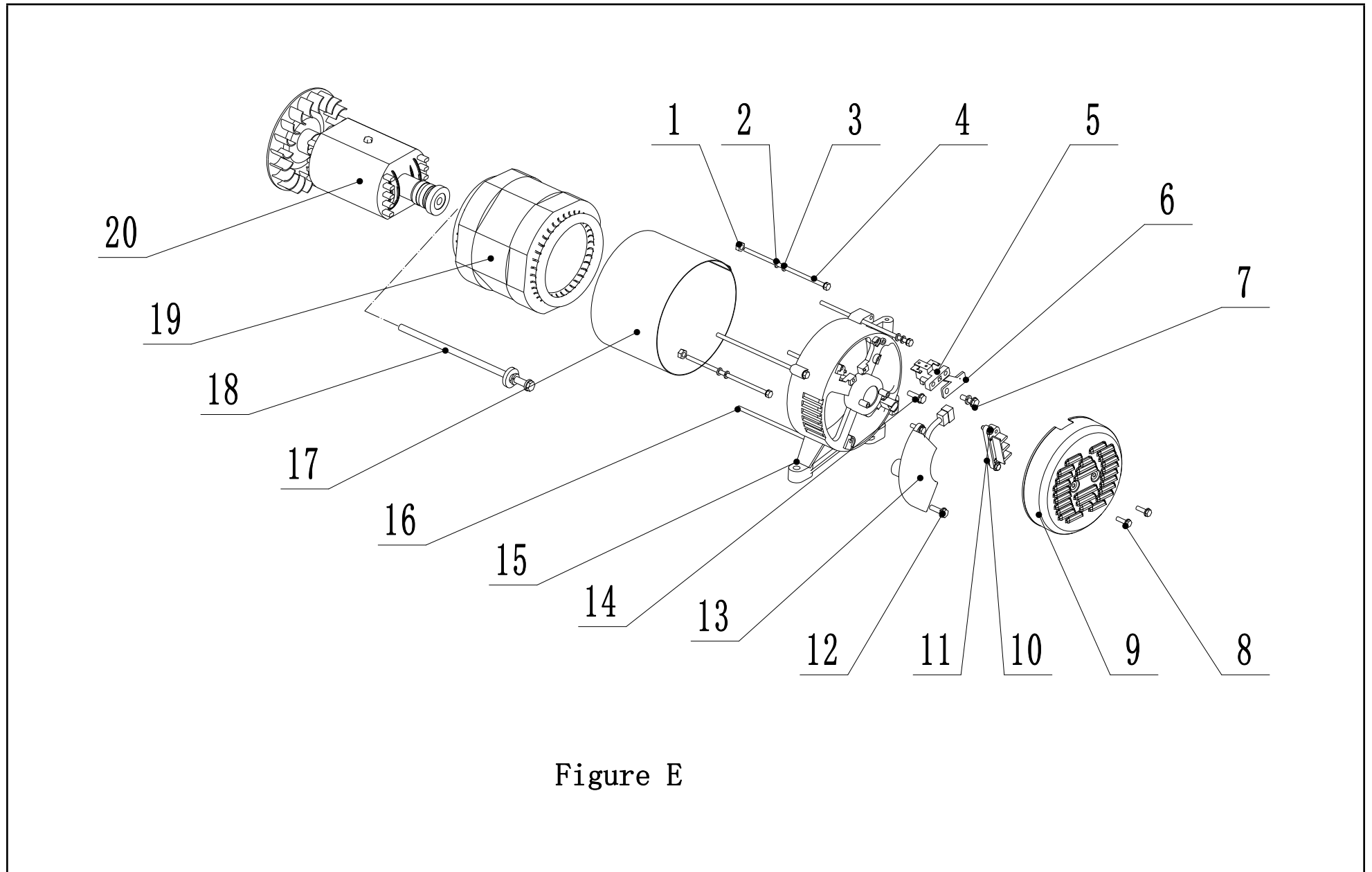


Figure E

ALTERNATOR PARTS LIST

#	Part Number	Description	Qty.
1	1.6175.05	Nut M5	2
2	1.97.1.05	Washer Ø5	2
3	1.93.05	Lock Washer Ø5	2
4	2.08.071	Bolt M5 x 229	2
5	152.190300.00	Carbon Brush Assembly	1
6	122.190004.01	Pinch, Carbon Brush	1
7	1.9074.15.0520	Bolt/Washer Assembly M5 x 20	1
8	1.16674.0512.1	Flange Bolt M5 x 12, Black	2
9	152.190003.00.48	Generator End Cover, Yellow	1
10	1.9074.17.0516	Screw/Washer Assembly M5 x 16	2
11	122.190400.00	Terminal Block	1
12	1.16674.0516	Flange Bolt M5 x 16	2
13	153.190200.03	AVR	1
14	1.16674.0512	Flange Bolt M5 x 12	1
15	152.190002.00	End Housing	1
16	2.08.069	Flange Bolt/Washer Assembly M6 x 194	4
17	154.191002.00	Stator Cover	1
18	2.08.070	Flange Bolt/Washer Assembly M10 x 280	1
19	153.191200.33	Stator Assembly, Al, Ø190 x 158 mm, DC 12V	1
20	153.191100.18	Rotor Assembly, Al, Ø190 x 158 mm, DC 12V	1

FUEL TANK PARTS DIAGRAM

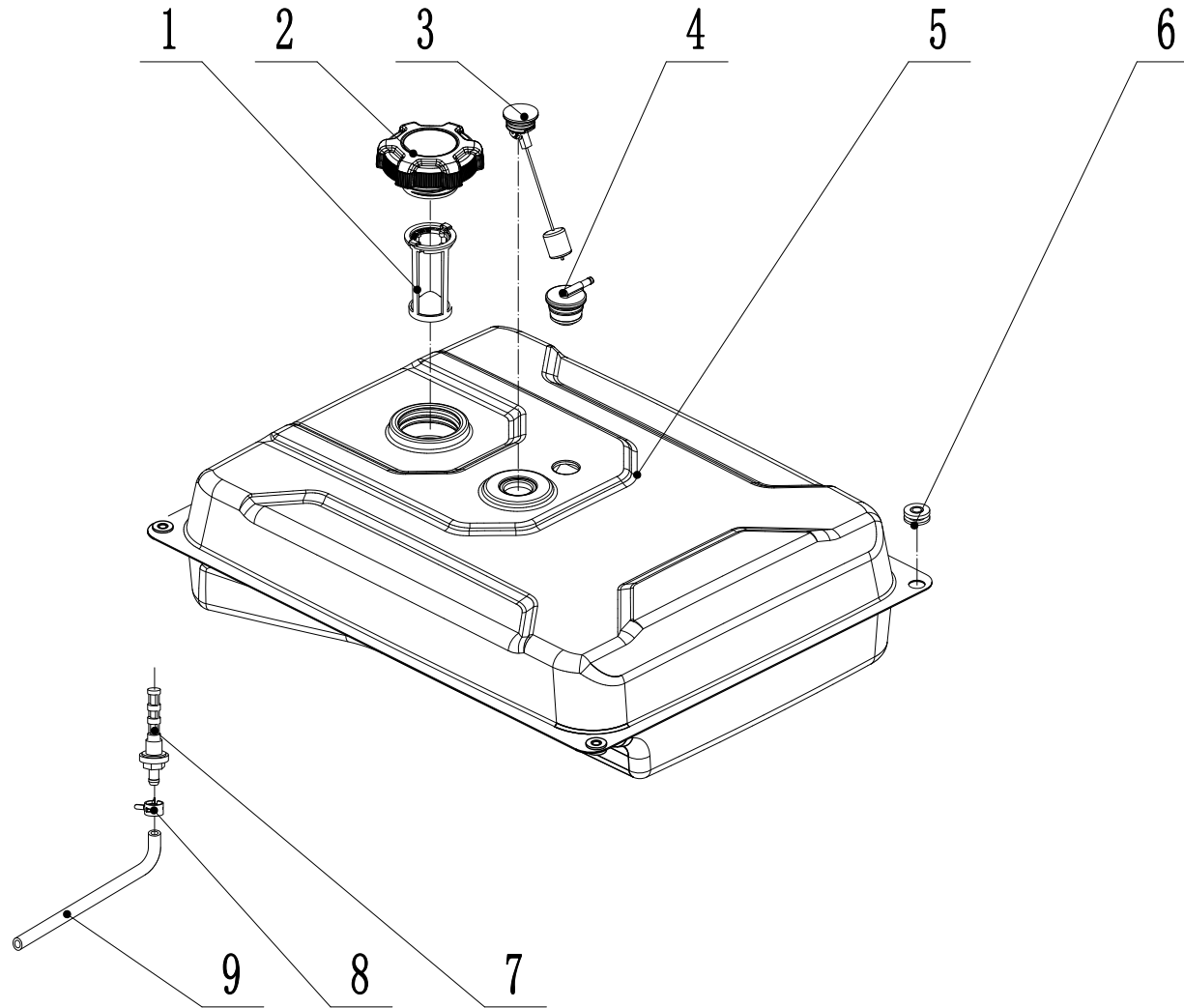


Figure F

FUEL TANK PARTS LIST

#	Part Number	Description	Qty.
1	122.070300.03	Fuel Filter	1
2	122.070100.09	Fuel Tank Cap	1
3	152.072000.06	Fuel Gauge Assembly	1
4	24.070800.00	Reversal Valve	1
5	152.071000.60.48	Fuel Tank, 32L, Yellow	1
6	122.070015.01	Mount Vibration, Fuel Tank	4
7	21.070600.03	Fitting, Fuel Filter	1
8	2.06.016	Clamp Ø8.7 x b8	1
9	122.070011.15	Fuel Pipe 180+25 mm, Fuel Tank to Fuel Valve	1

CONTROL PANEL PARTS DIAGRAM

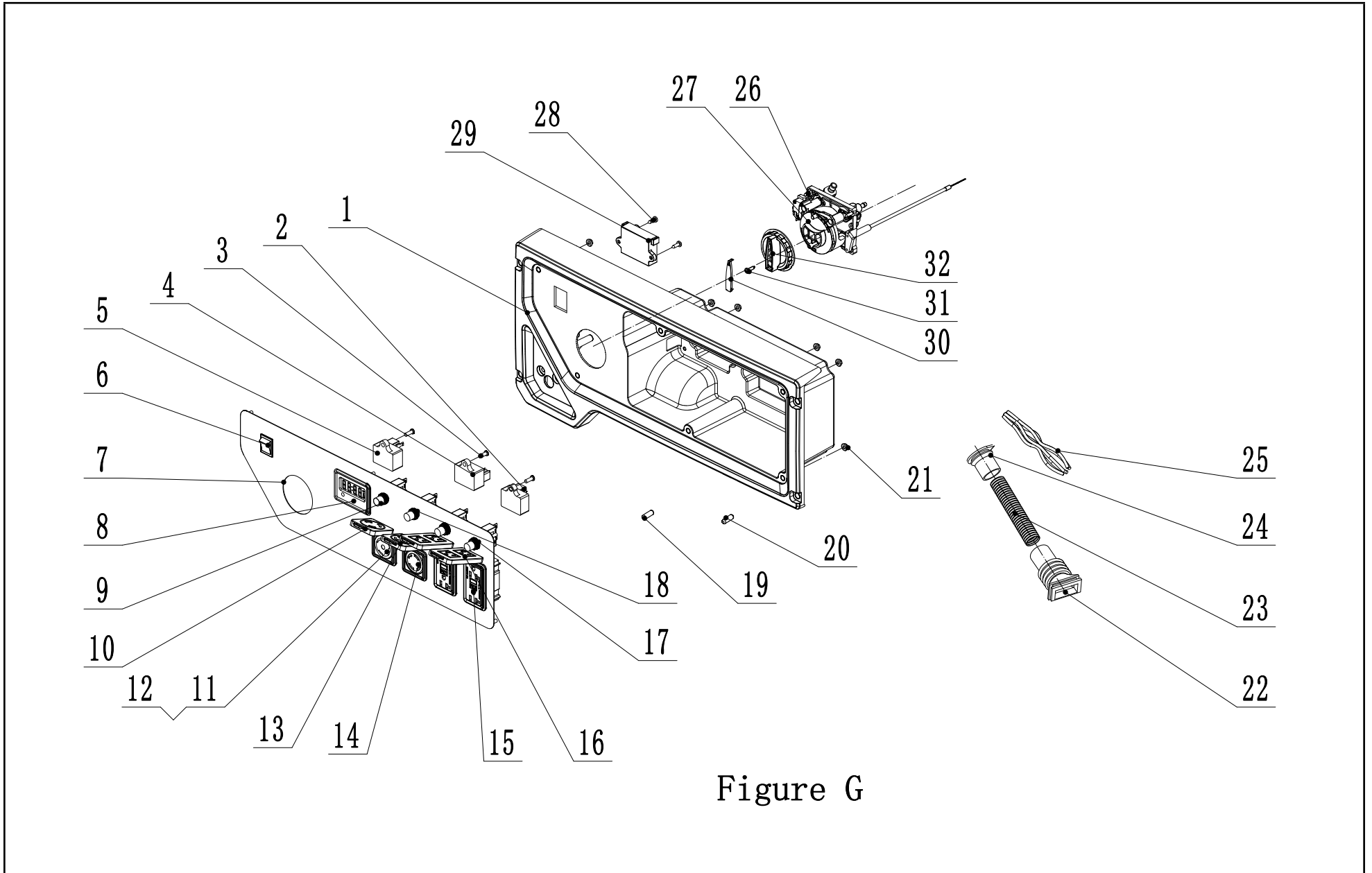


Figure G

CONTROL PANEL PARTS LIST

#	Part Number	Description	Qty.
1	152.210002.39	Control Box	1
2	5.1800.006	Rectifier	1
3	1.818.0514.2	Screw M5 x 14	3
4	5.1810.003	VFO Diode	1
5	5.1820.009	Charger	1
6	5.1000.005.3	Ignition Switch, Red	1
7	152.289.2.2	Control Panel	1
8	5.1470.000	Intelligauge, INT1AOF	1
9	5.1870.014	Circuit Breaker Cover, Push Button	4
10	5.1870.023	Receptacle Cover, L5-30R	1
11	5.1120.008	Receptacle L5-30R	1
12	1.6177.1.04.1	Lock Nut M4, Flange, Black	8
13	5.1120.009	Receptacle Cover, Receptacle L14-30R	1
14	5.1870.020	Receptacle L14-30R	1
15	5.1120.050	Receptacle 5-20R, Duplex GFCI	2
16	5.1870.022	Receptacle Cover, Receptacle 5-20R, Duplex GFCI	2

#	Part Number	Description	Qty.
17	5.1210.920	20Amp Circuit Breaker, Push Button, CSA	2
18	5.1210.930	30Amp Circuit Breaker, Push Button, CSA	2
19	5.1280.003	Fuse, 10A	1
20	5.1280.008	Fuse, 5A	1
21	1.6177.1.05	Lock Nut M5, Flange, Black	6
22	152.210003.02	Plug, Control Box	1
23	5.1330.116	Sheath, Wire	1
24	122.210003.01	Wire Jacket, Control Box	1
25	100416.21.10	Wire Assembly	1
26	1.845.4216	Screw, ST4.2 x 16	4
27	152.139000.01	Rotary Knob Assembly	1
28	1.845.4213	Screw, ST4.2 x 13	2
29	5.1830.022	CO Module	1
30	62.139002.00.48	Cover, Rotary Dial, Yellow	1
31	1.845.3513	Screw, ST3.5 x 13	4
32	122.139001.00	Rotary Dial	1

FRAME PARTS DIAGRAM

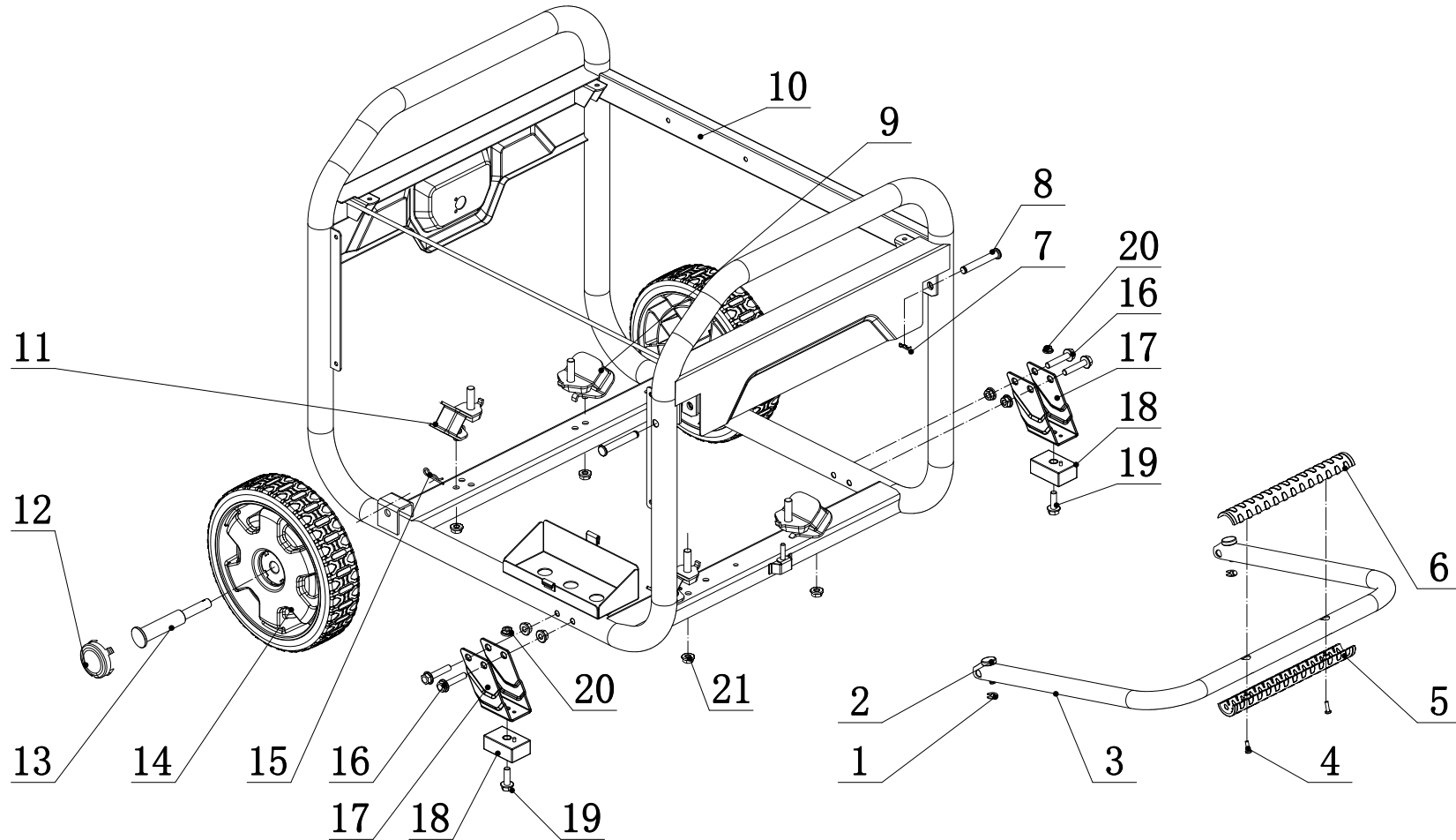
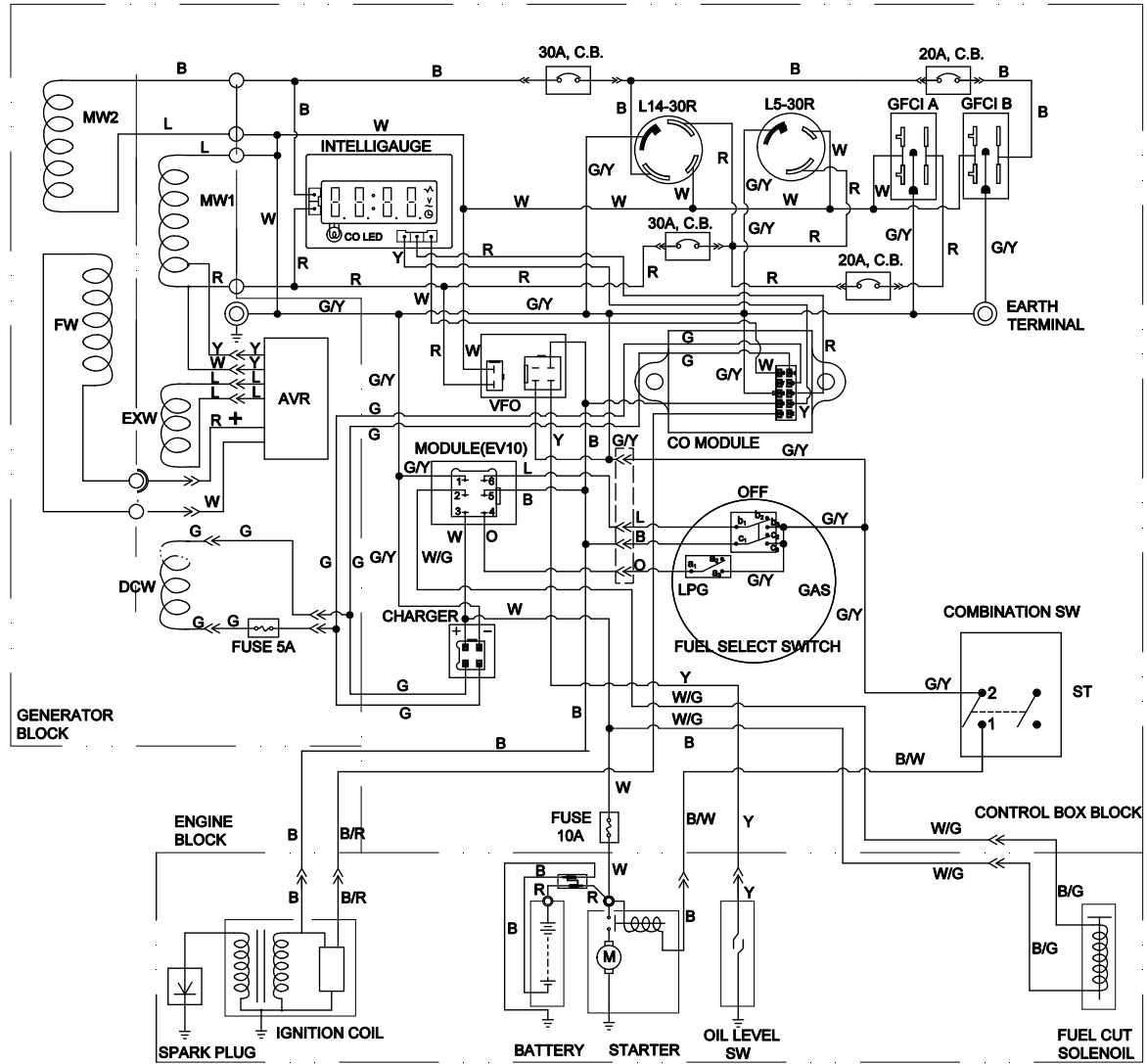


Figure H

FRAME PARTS LIST

#	Part Number	Description	Qty.
1	1.894.1.08	Circlip Ø8	2
2	152.200703.02	Short Pin, Handle	2
3	152.200701.22	Handle, U Shape	1
4	1.818.0414.1	Screw M4 x 14, Black	2
5	122.200702.13	Handle Cover, Upper	1
6	122.200702.14	Handle Cover, Lower	1
7	11.110008.00	"R" Shape	2
8	152.200703.02	Short Pin, Handle	2
9	152.201200.04	Motor Mount 2	2
10	65301.0.10.2	Frame, 689 x 536 x 600mm	1
11	152.201200.03	Motor Mount 1	2
12	122.201702.11.48	Wheel Cover, Tooth Profile 8-10 in, Yellow	2
13	122.201501.23.1	Pin Roll, Wheel, Ø16 x Ø10 x 97, Black	2
14	152.201701.13.48	9.5 in. Wheel, PU, Yellow	2
15	2.16.001.1	Pin Ø2 x 33, "R" Shape, Black	2
16	1.5789.0850.1	Flange Bolt M8 x 50, Black	4
17	152.200002.18.2	Support Leg, 78 mm, Black	2
18	122.201400.04	Rubber, Support	2
19	1.5789.0825.1	Flange Bolt M8 x 25, Black	2
20	1.6177.1.08.1	Lock Nut M8, Flange, Black	6
21	1.6177.1.08	Lock Nut M8, Flange	4

WIRING DIAGRAM



	a ₁	a ₂	a ₃	b ₁	b ₂	c ₁	c ₂
GAS	○	○	○	○	○	○	○
OFF	○	○	○	○	○	○	○
LPG	○	○	○	○	○	○	○

COMBINATION SWITCH

	1	2
ST	○	○

B	BLACK	Br	BROWN
Y	YELLOW	B/W	BLACK WHITE
L	BLUE	W/G	WHITE GREEN
G	GREEN	G/Y	GREEN YELLOW
R	RED	W/L	WHITE BLUE
W	WHITE	B/G	BLACK GREEN
O	ORANGE		