

**Features**

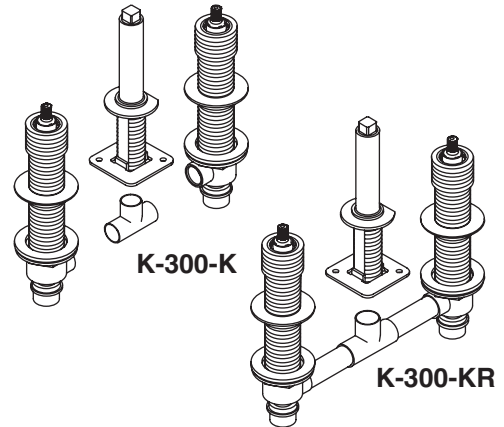
- Brass valve bodies
- Bath- or deck-mount
- 1/2" quarter-turn washerless ceramic disc valves
- High-flow valving
- Available with or without rigid connections

**Codes/Standards Applicable**

Specified model meets or exceeds the following:

- ASME A112.18.1M
- CSA International
- IAPMO/UPC

**VALVE SYSTEM**  
**K-300-K, K-300-KR**



**Colors/Finishes**

- NA: None applicable

**Accessories**

- NA: None applicable

**Specified Model**

Model	Description	Colors/Finishes
K-300-K	Valve system	<input type="checkbox"/> NA
K-300-KR	Valve system with rigid connections	<input type="checkbox"/> NA
<b>Optional Accessories</b>		
1032704	Deep roughing-in kit for 1/2" (1.3 cm) high-flow deck-mount bath faucets (lever handles)	<input type="checkbox"/> NA

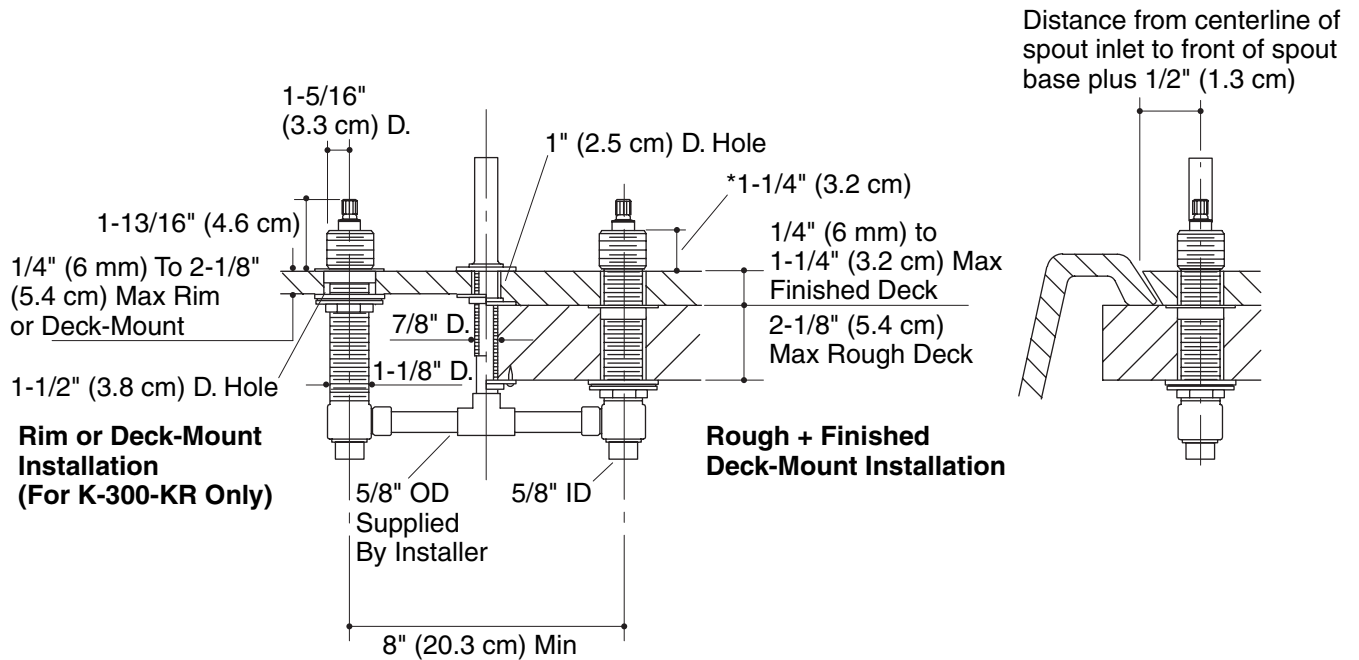
**Product Specification**

Two-handle bath- or deck-mount, with or without rigid connections, 1/2" (1.3 cm) high-flow valve system shall feature brass valve bodies. Valve system shall feature 1/2" quarter-turn washerless ceramic disc valves. Valve system shall be Kohler Model K-300-\_\_\_\_\_-NA.

## Installation Notes

For installations on a rough (unfinished) deck to be covered later with tile, the tile thickness must not exceed 1-1/4" (3.2 cm).

\*Dimension allows  $\pm 1/4$ " (6 mm) handle adjustment during handle trim installation.



## Product Diagram