

JVX3240SJ

GE Appliances 24" Under the Cabinet Hood

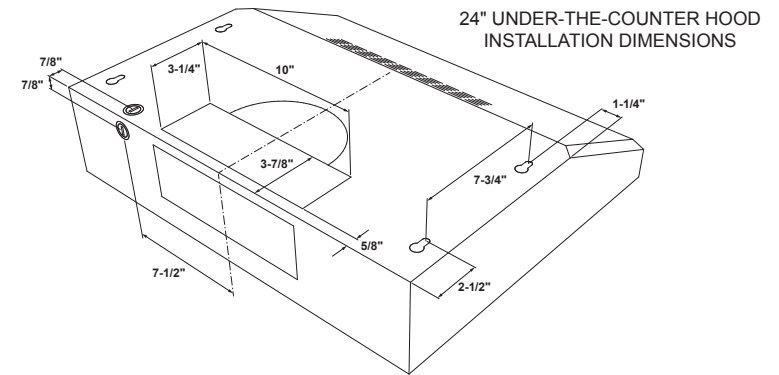
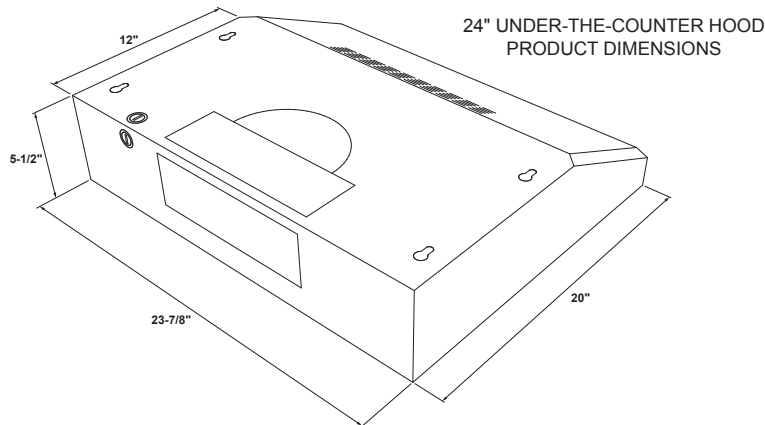
DIMENSIONS AND INSTALLATION INFORMATION (IN INCHES)

WB02X11537 replacement grease filter and WB02X11000 replacement charcoal filter are available for additional cost. Call toll-free 800.626.2000.

JXHC1 Cord Kit: Allows a receptacle in the cabinet over the range to accommodate either an over-the-range microwave oven or a standard hood.

Installation Information: Before installing, consult installation instructions, packed with product, for current dimensional data.

AMP RATING	
120V	2.5



Exhaust outlet connects to 3-1/4" x 10" rectangular duct. Vent top or rear. Includes rectangular damper.



For answers to your Monogram, GE Café™ Series, GE Profile™ Series or GE Appliances product questions, visit our website at geappliances.com or call GE Answer Center® Service, 800.626.2000.



Specification Revised 5/16

JVX3240SJ

GE Appliances 24" Under the Cabinet Hood

FEATURES AND BENEFITS

Easy installation – 10 minutes or less by one person

Two-speed, 200-CFM venting system – Removes smoke, grease, odors and moisture

Front controls - Enjoy easy access and a subtle appearance

Cooktop lighting – Illuminate cooking space and surrounding surface

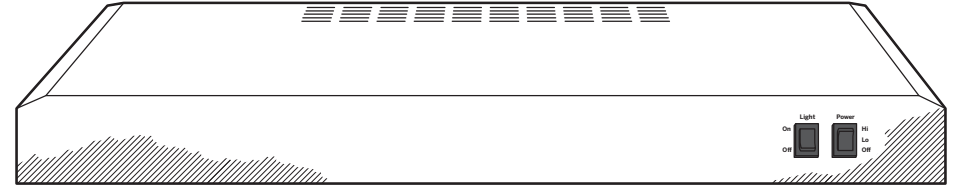
Convertible venting options - Select recirculating or external venting

Vertical and rear exhaust – Exhausts from the top or rear of the hood

Appearance (Partially enclosed bottom) – Enjoy easy access to hood interior

Dishwasher safe filter – Filters grease and is dishwasher-safe

Model JVX3240SJSS – Stainles steel



CFM/SONES RATINGS	
Exhaust High Speed (HS)	200/6.0
Exhaust Working Speed (WS)	100/1.5

