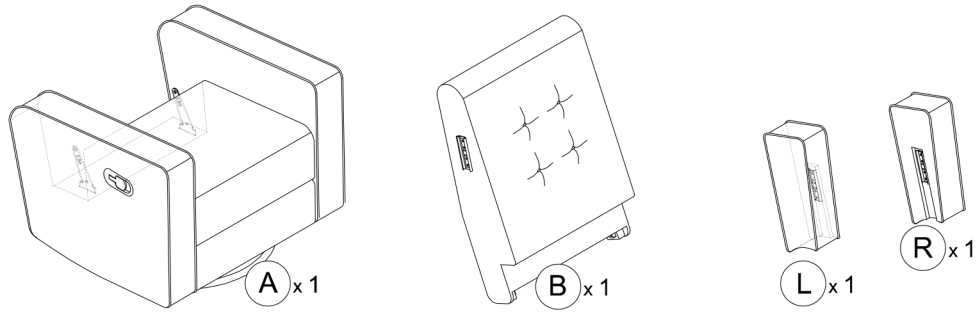
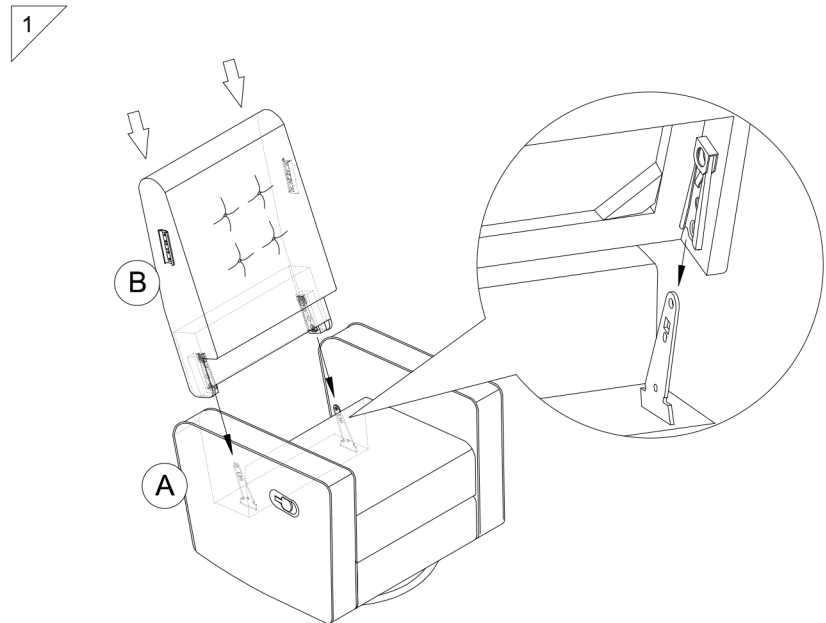


Part list



Assembly Instruction



Assembly Instruction

