

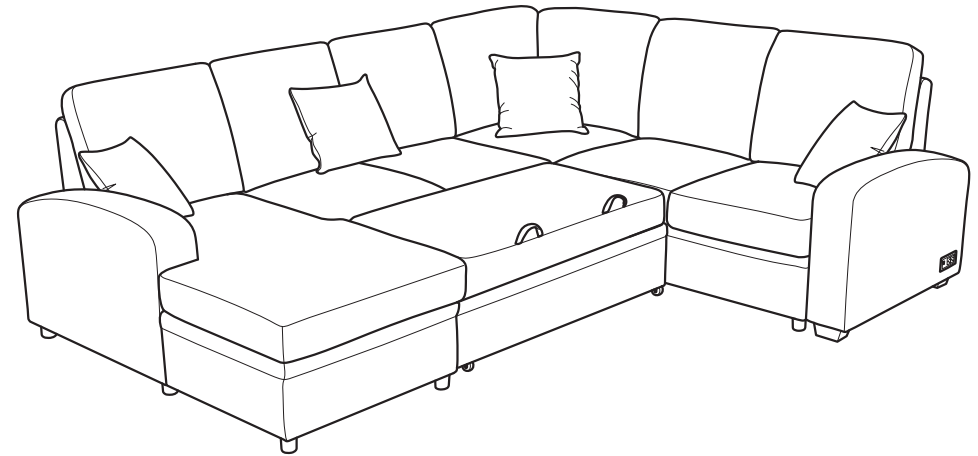
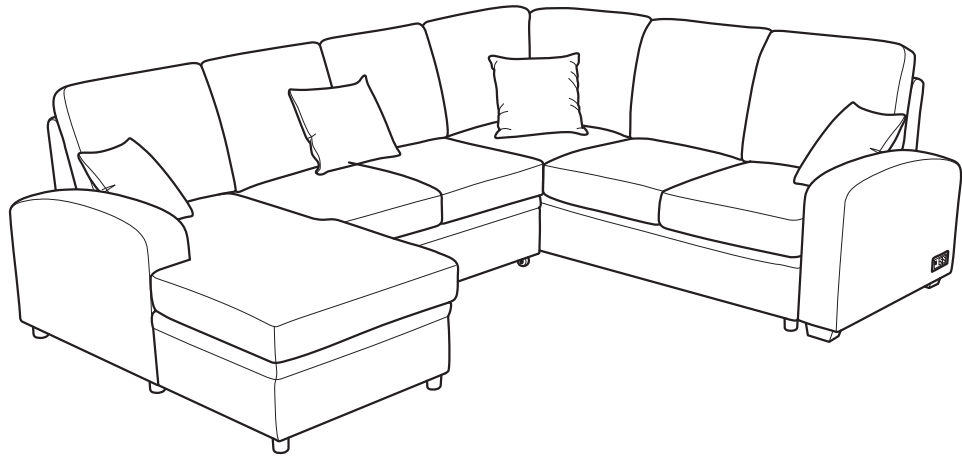


Dream Convertibles®

# SECTIONAL SOFA BED

## ASSEMBLY INSTRUCTIONS

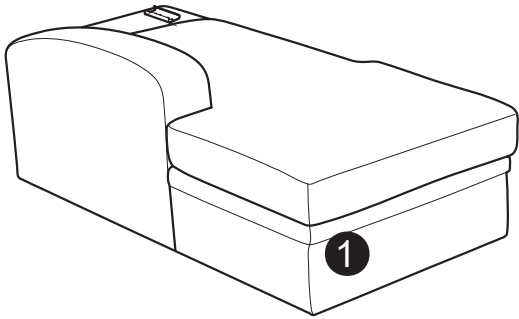
---



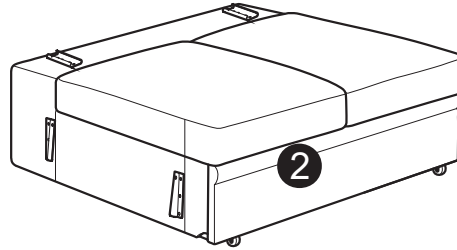
### **WARNING**

- This product has been designed for seating five to six (5-6) average adults. To prevent injury and damage to this unit, PROHIBIT jumping on it.
- This product is designed for home use and not intended for commercial use.
- Children under the age of 5, small infants and babies should not sleep alone on this product for safety reasons.
- Recommended # of people needed for handling: 2 (however it is always better to have an extra hand.)
- THIS INSTRUCTION BOOKLET CONTAINS **IMPORTANT** SAFETY INFORMATION. PLEASE READ AND KEEP FOR FUTURE REFERENCE.

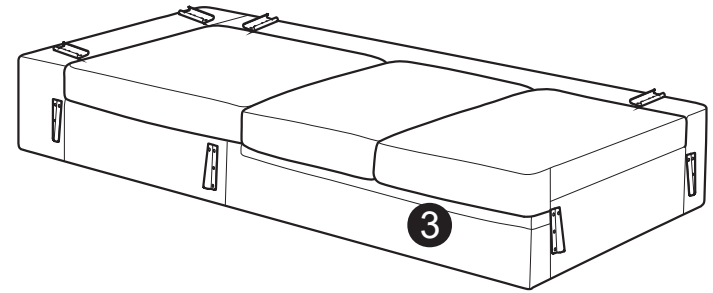
# PARTS



Chaise Body  
QTY:1



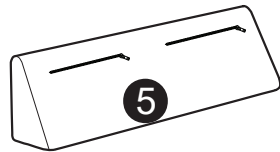
Loveseat Body  
QTY:1



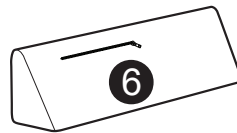
Corner Sofa Body  
QTY:1



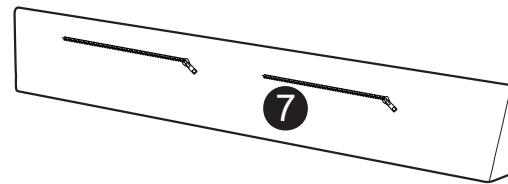
Chaise Backrest  
QTY:1



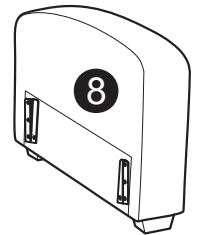
Loveseat Backrest  
QTY:1



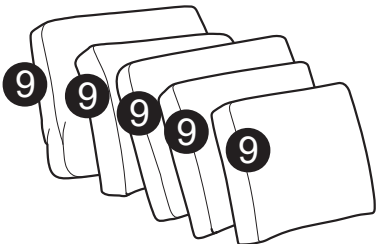
Corner Backrest A  
QTY:1



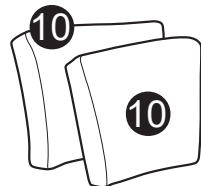
Corner Backrest B  
QTY:1



Right Facing Arm  
QTY:1



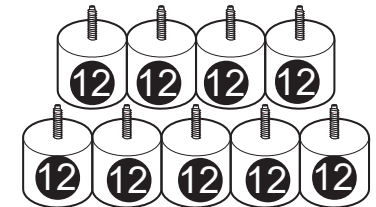
Back Cushions  
QTY:5



Corner Back Cushions  
QTY:2



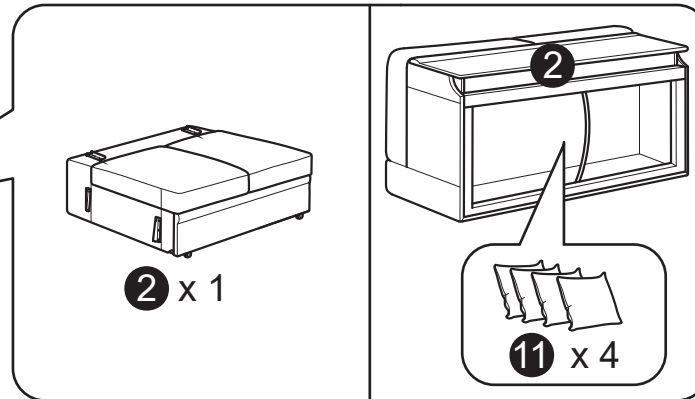
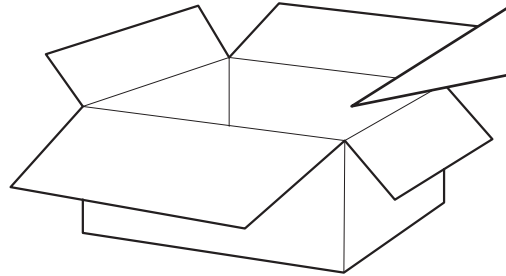
Pillow  
QTY:4



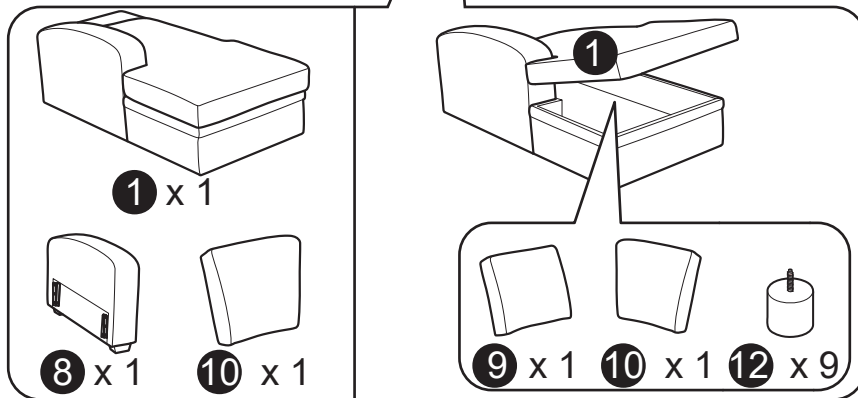
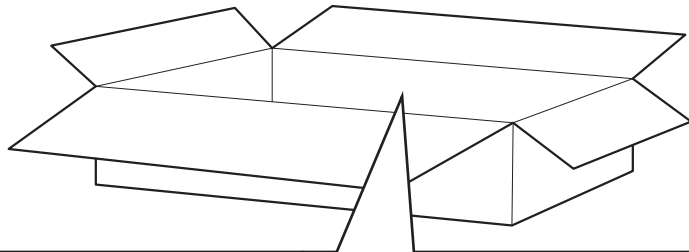
Leg  
Corner Sofa QTY: 4  
Chaise QTY: 5

Step 1 :

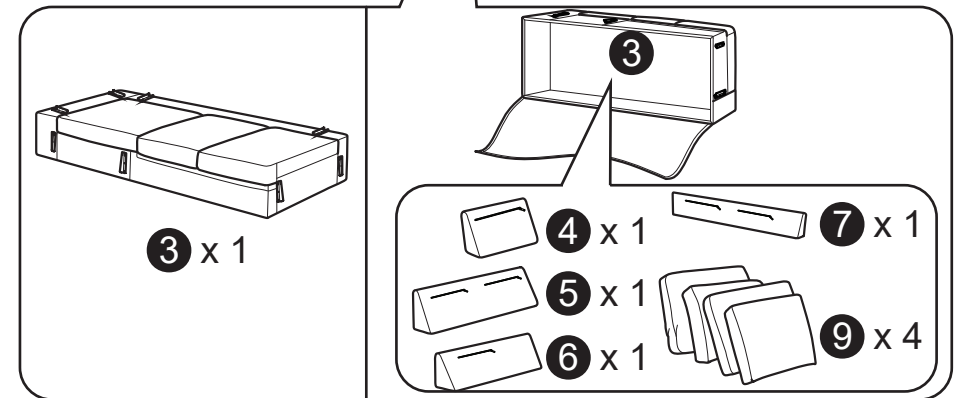
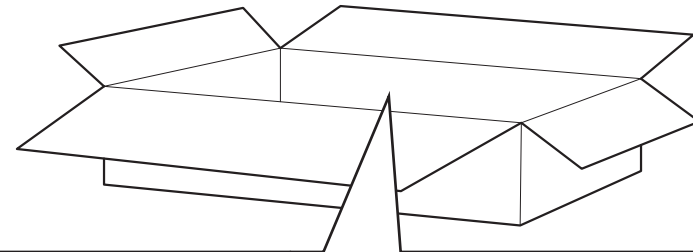
BOX 1#:



BOX 2#:

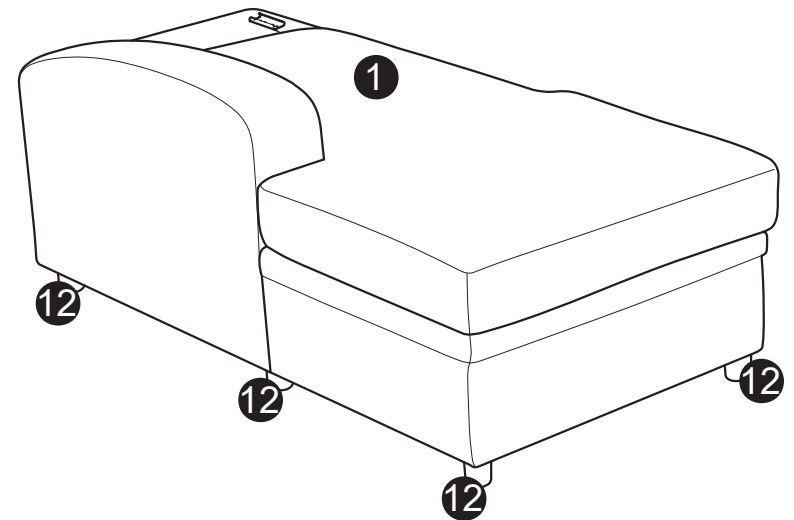
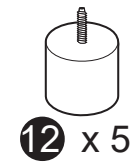
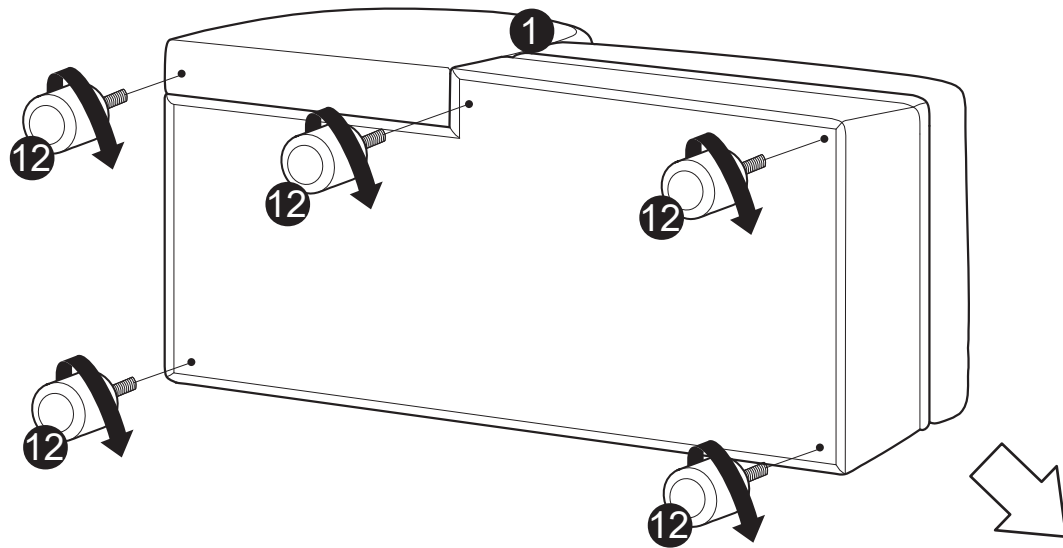


BOX 3#:



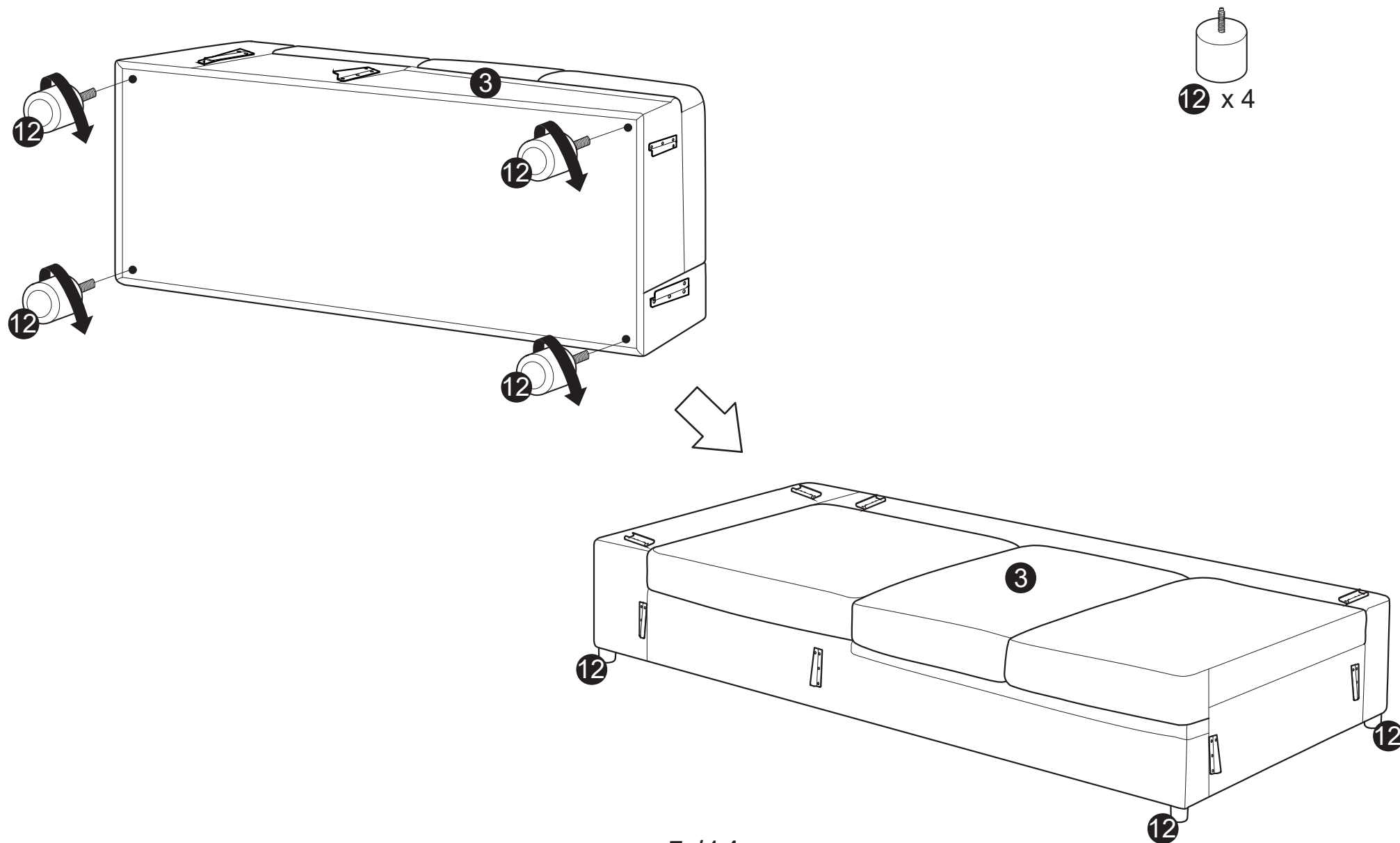
---

Step 2 :



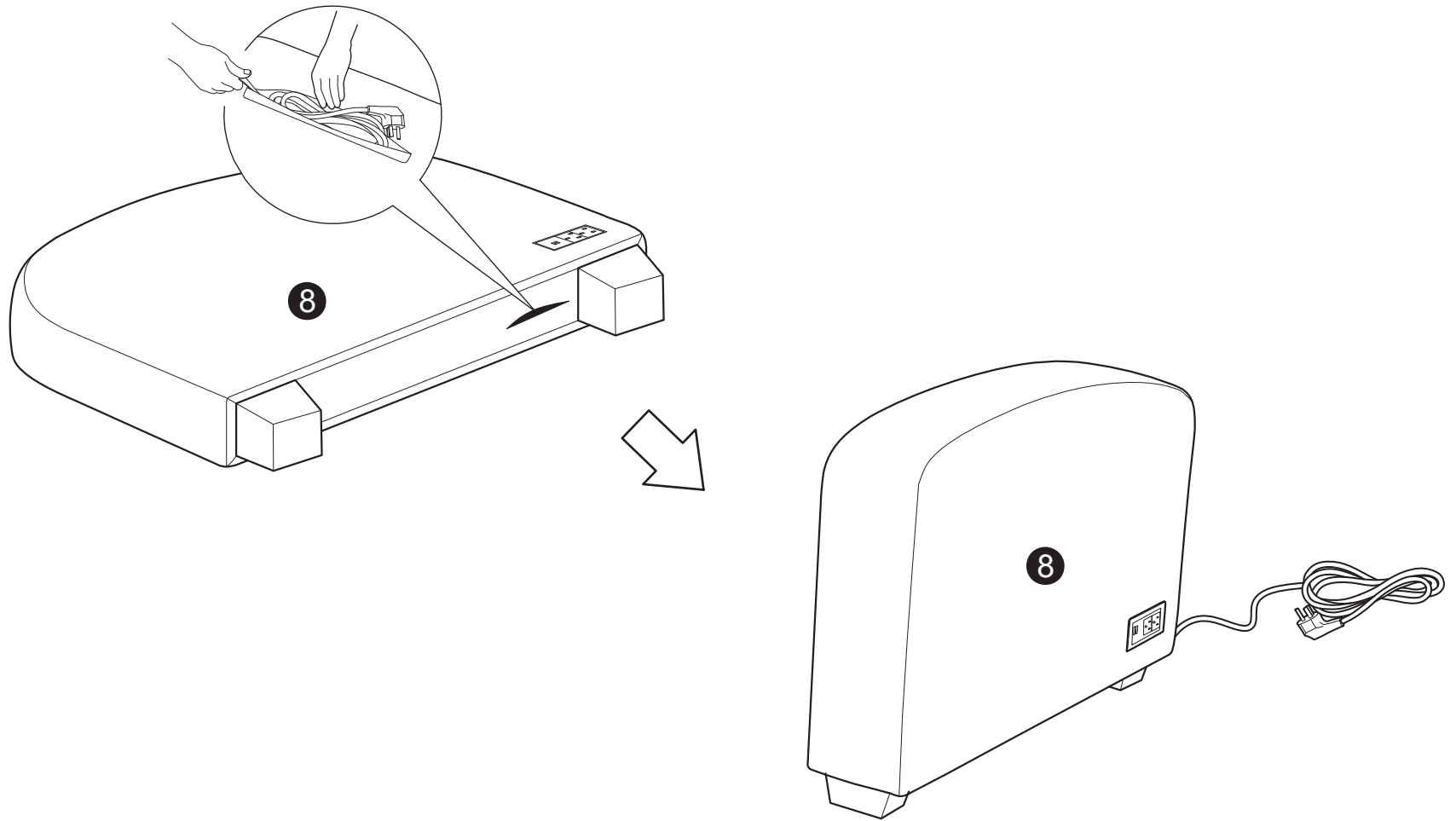
---

Step 3 :



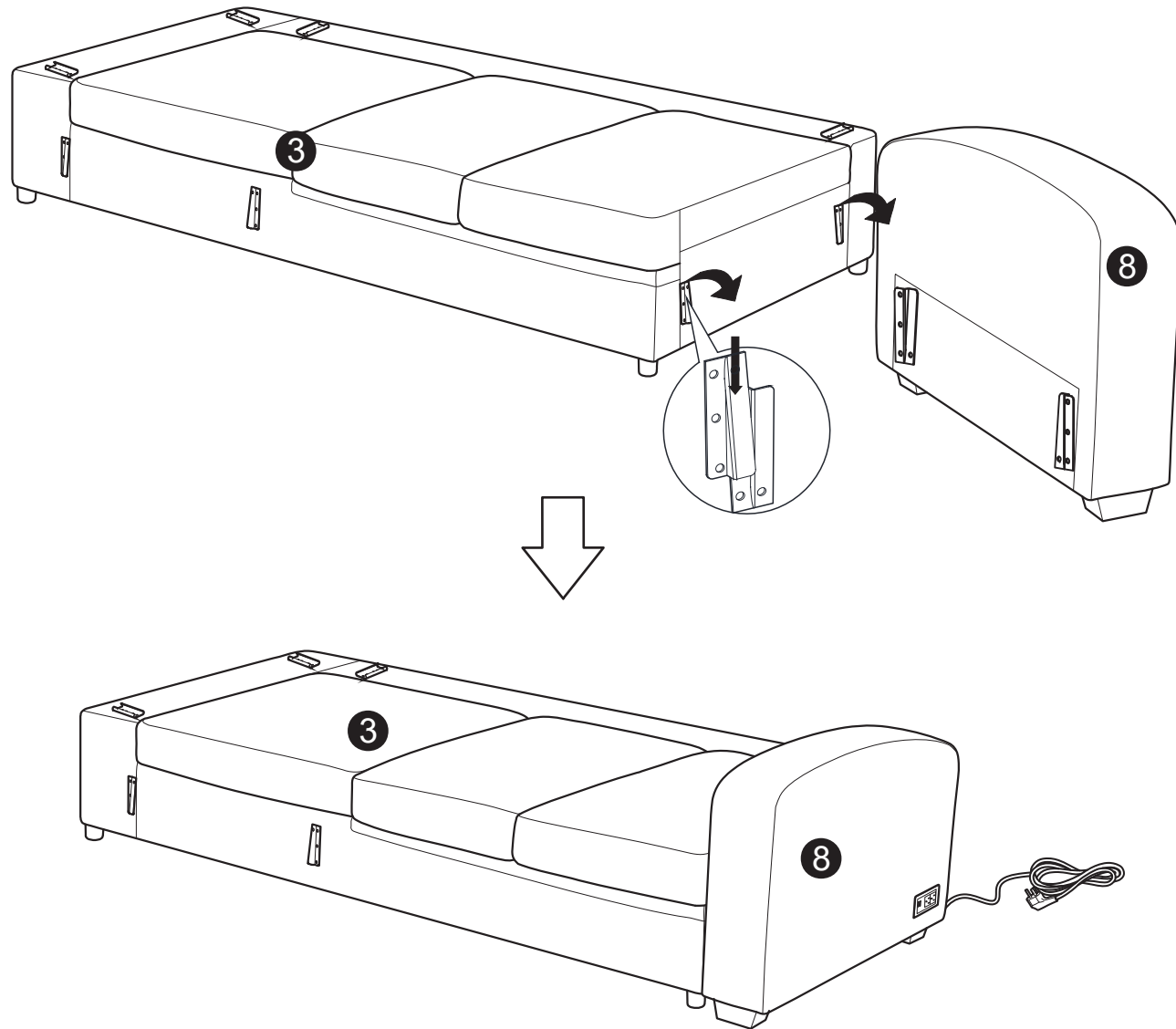
---

Step 4 :



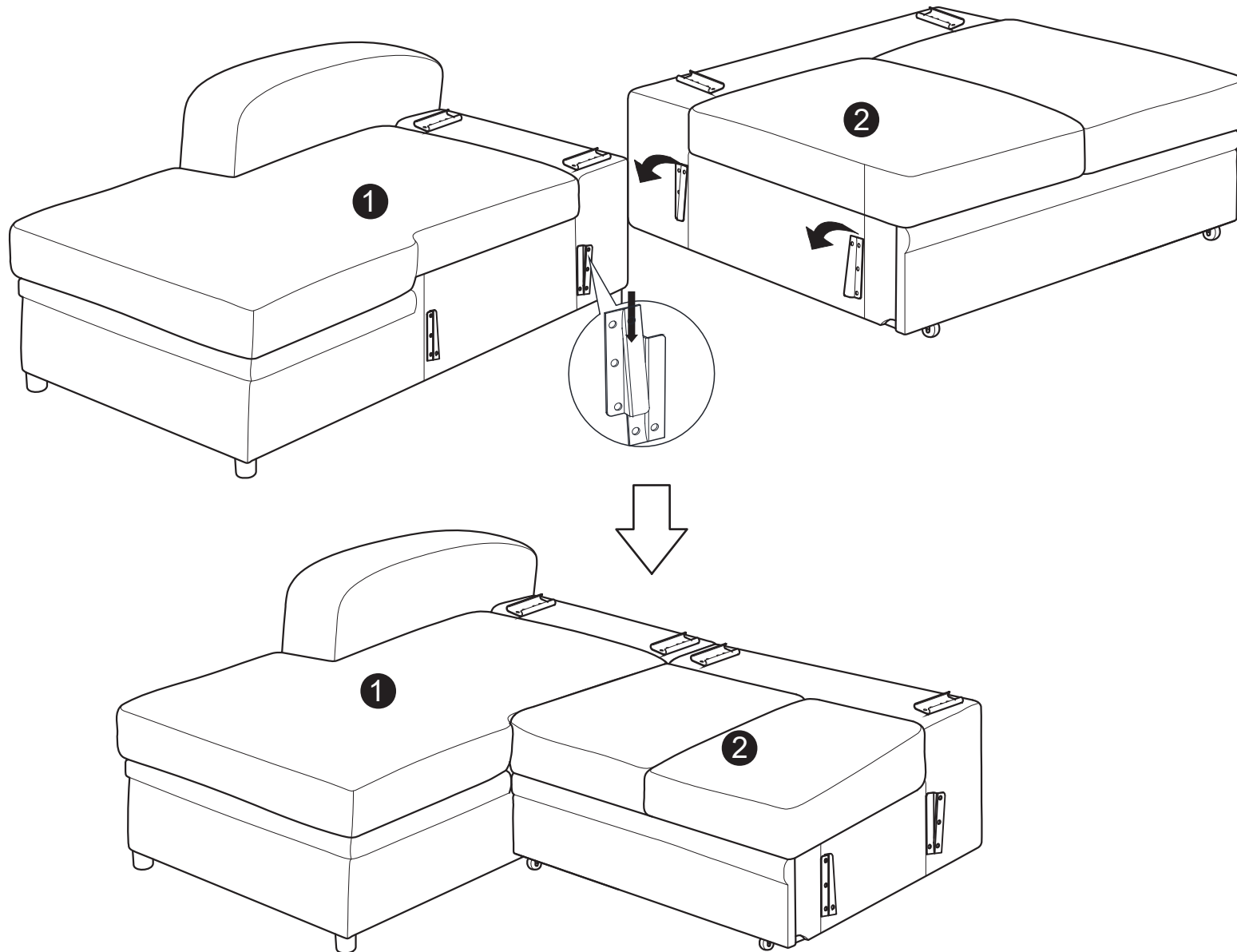
---

Step 5 :



---

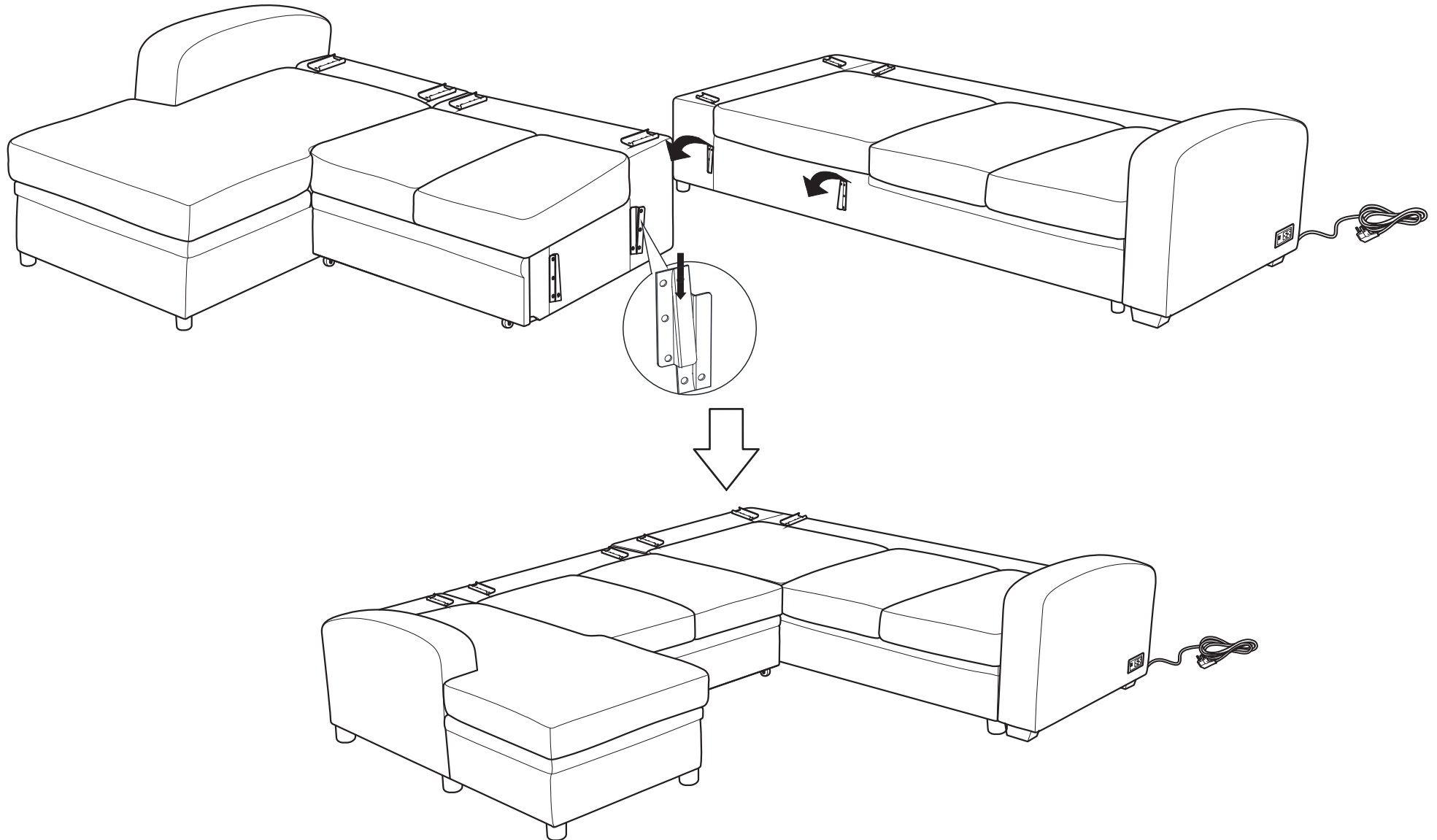
Step 6 :





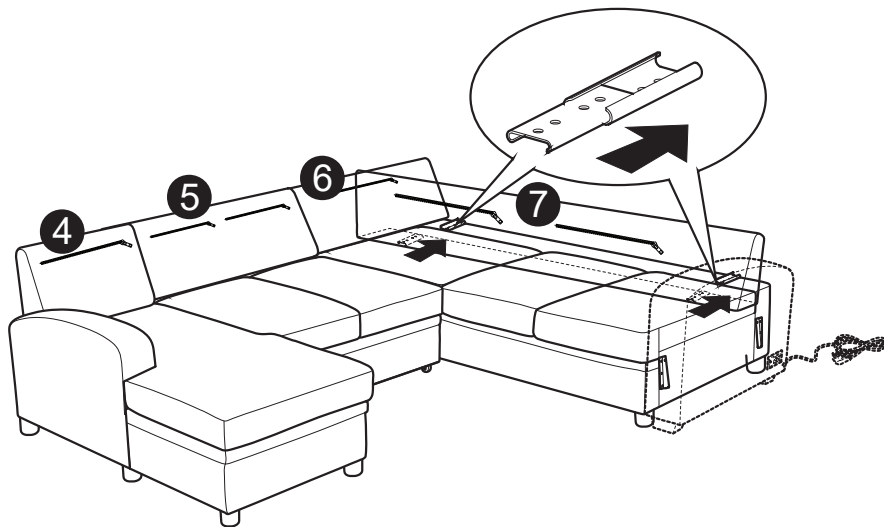
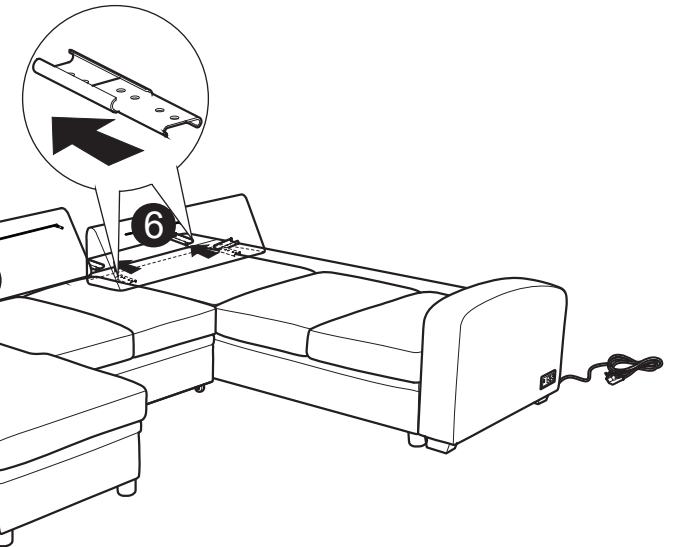
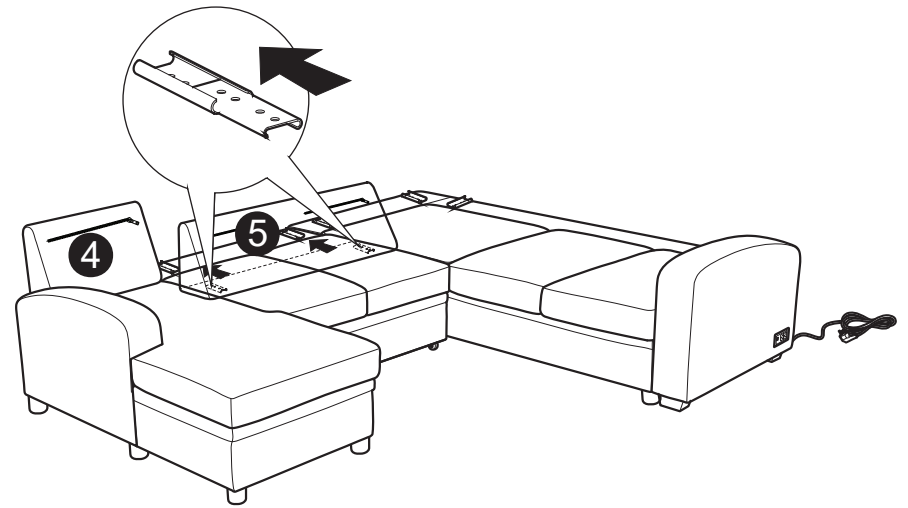
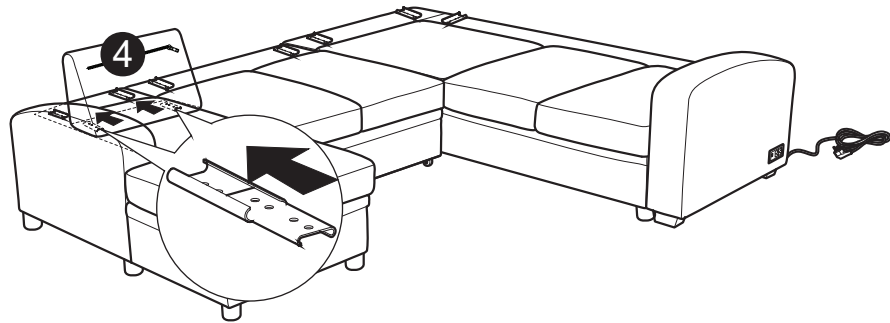
---

Step 7 :



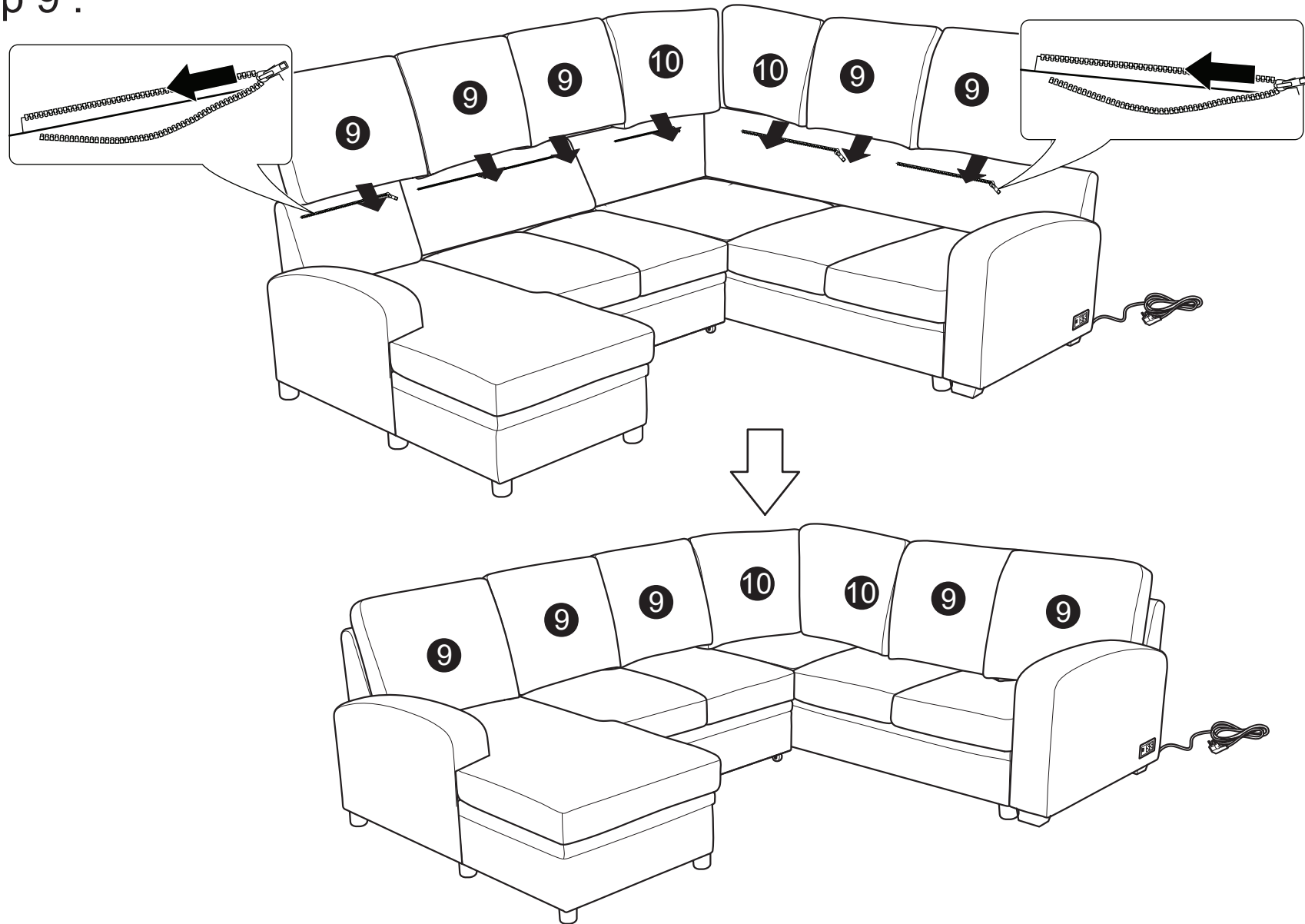
---

Step 8 :



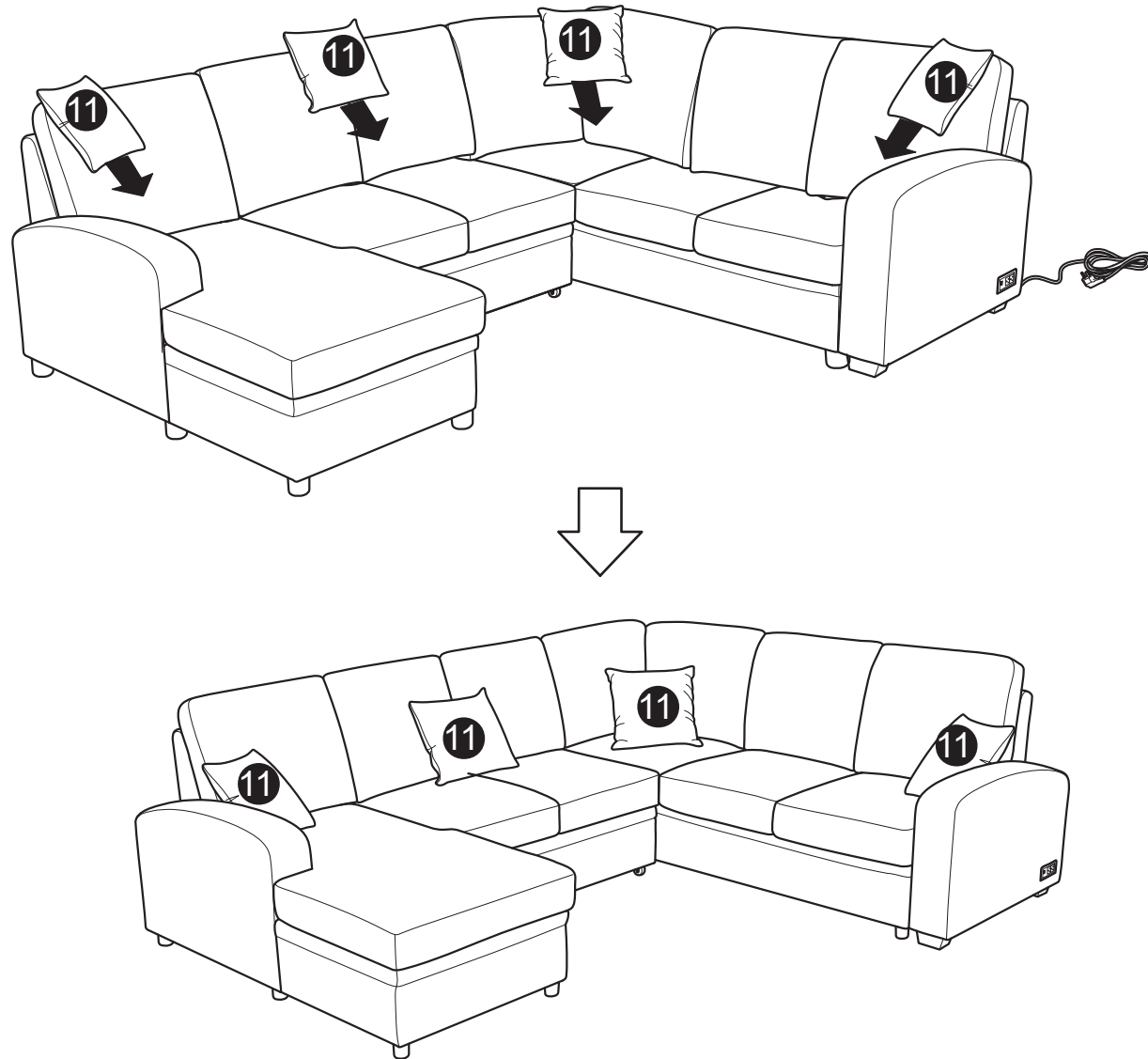
---

Step 9 :



---

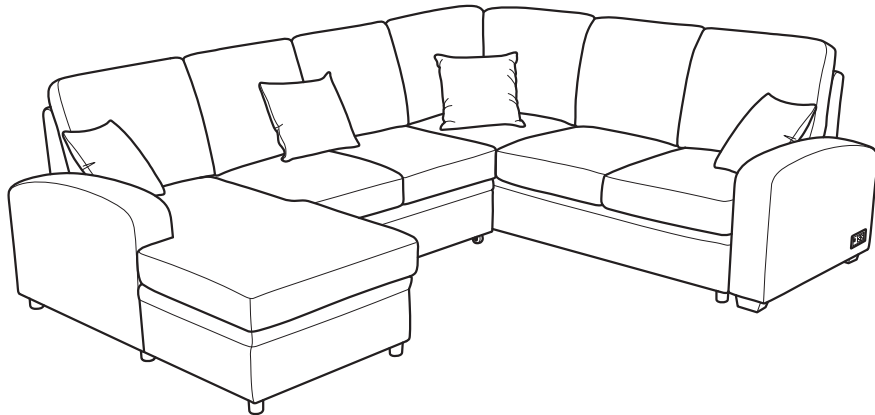
Step 10 :



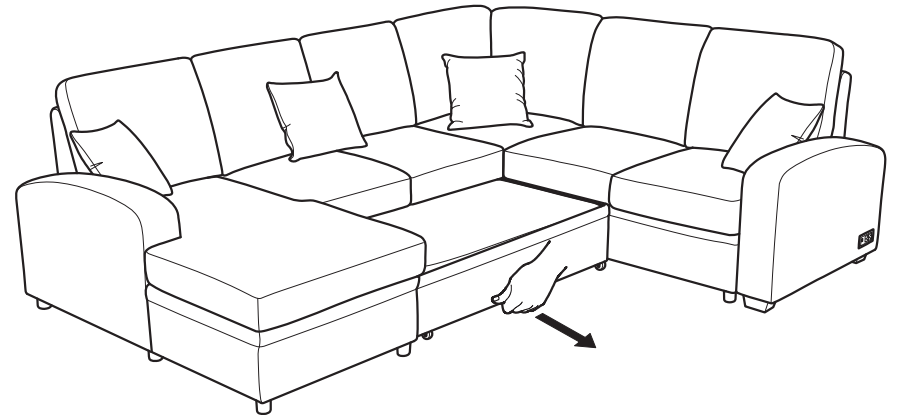
---

## FUNCTIONS :

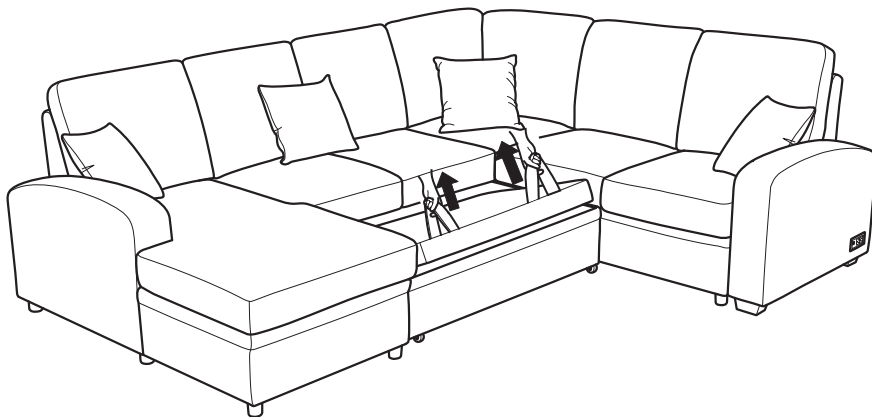
①



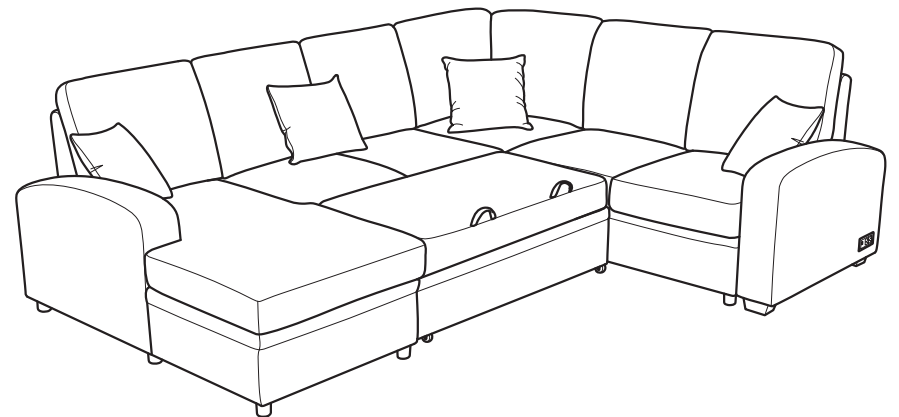
②



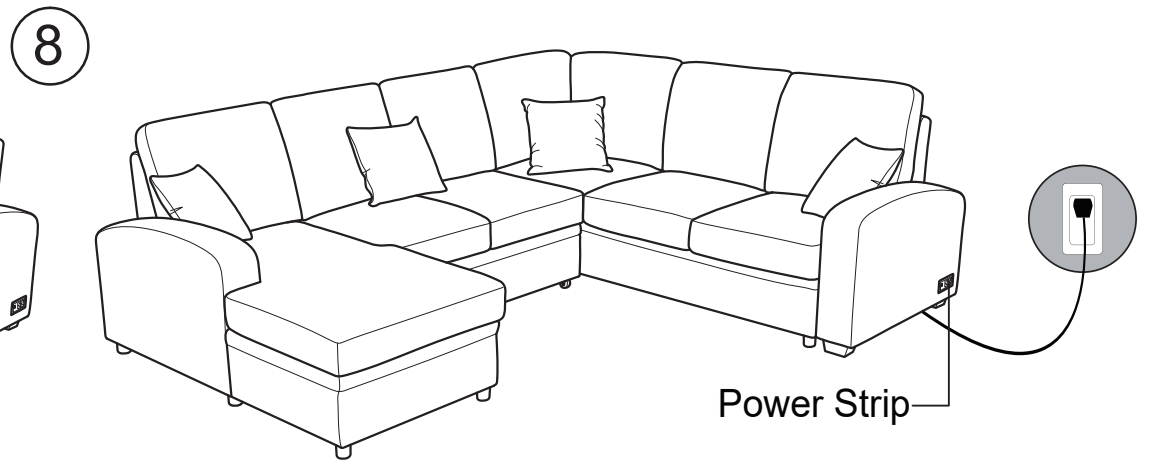
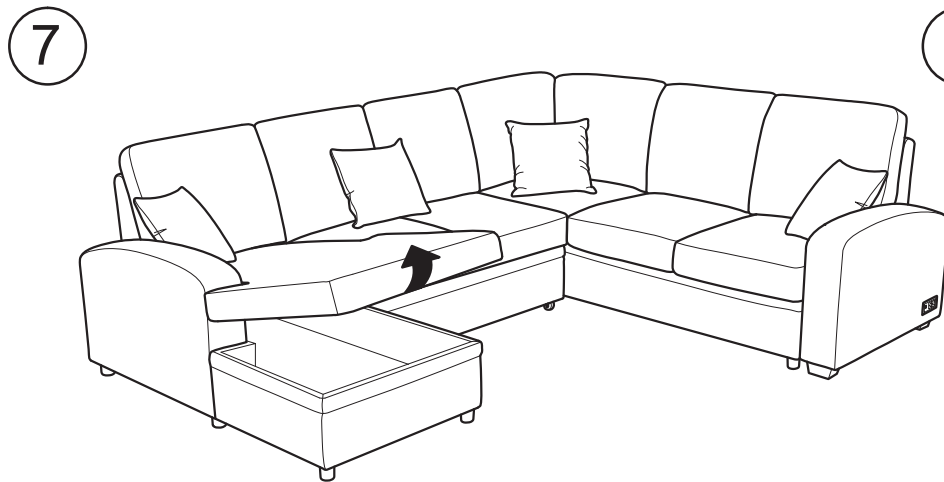
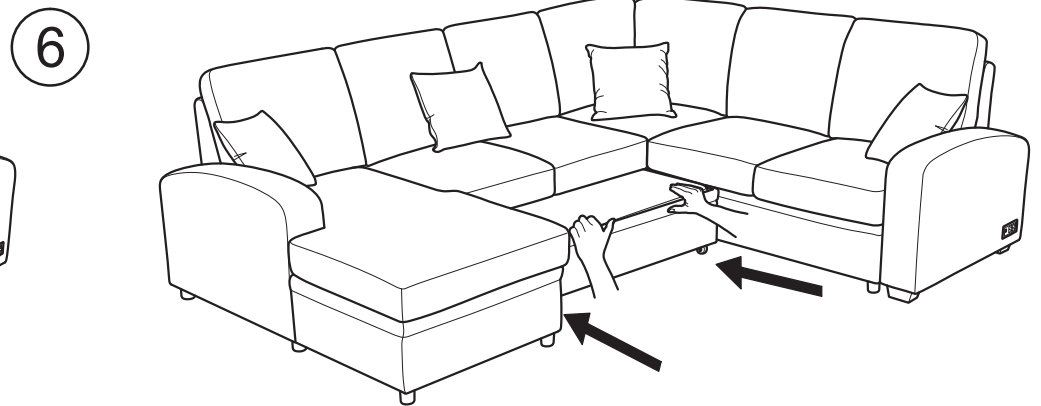
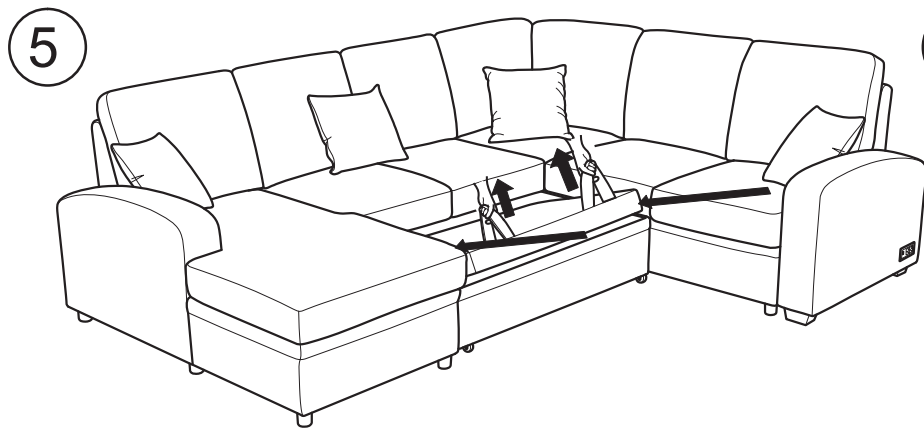
③



④



# FUNCTIONS :



**Need assistance?**  
Please call :  
**866-626-7826**

For prompt, reliable service; please have your assembly manual ready.