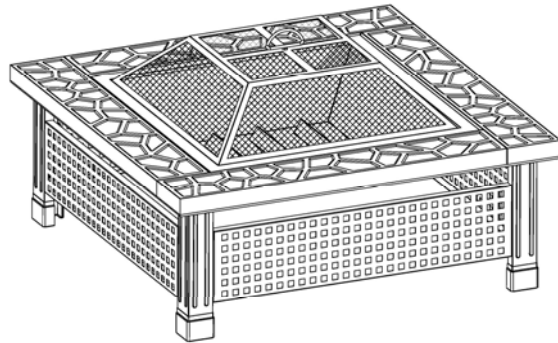




## 5501 34" Steel Fire Pit



### PLEASE READ

Thank you for purchasing this quality product. A list of **PARTS** and **INSTRUCTIONS** are included to assist you. Unpack and identify all parts included on the **PARTS LIST** and **HARDWARE LIST**. If parts are missing, please do not return the item to the store.

Contact our **CUSTOMER SERVICE DEPARTMENT AT:**

**PHONE: 888-673-9080**  
**FAX: 417-673-9081**

**EMAIL: [service@americanfurnitureclassics.com](mailto:service@americanfurnitureclassics.com)**

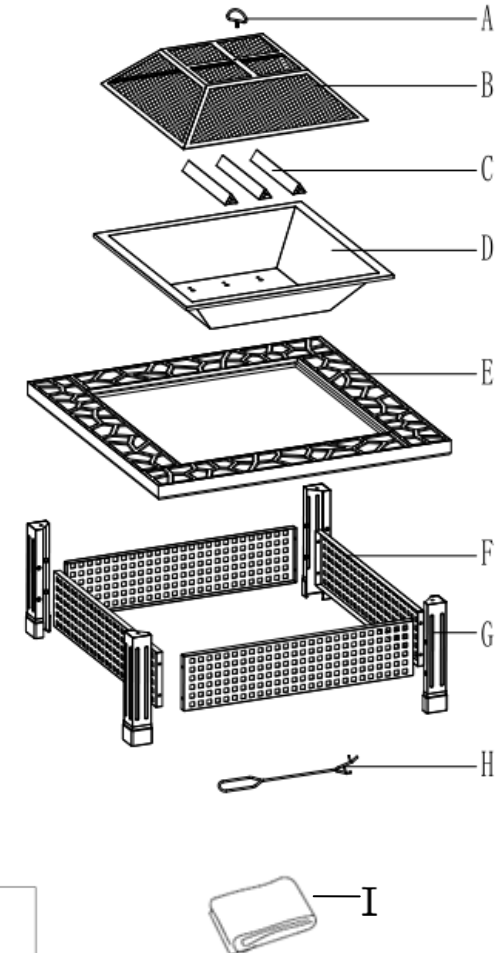
To expedite service, please indicate the model and part number (letter /number code) of the part(s) needed

## Assembly Instructions 34" Steel Fire Pit

Please check the carton and packing materials before disposing to make sure that you have all the parts for this product

### Part List

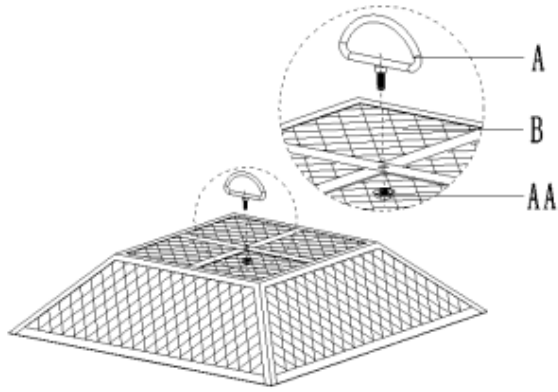
Part No.	Description	Qty
A	Handle	1
B	Mesh wire cover	1
C	Wood grate	3
D	Fire bowl	1
E	Steel top	4
F	Side panel	4
G	Leg	4
H	Poker	1
I	PVC cover	1



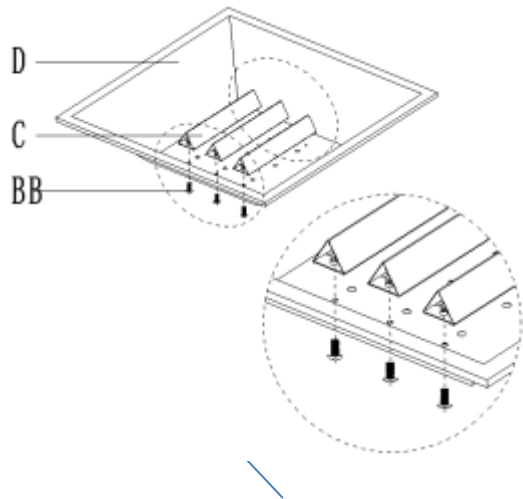
AA	M6 Nut	1	
BB	M6 x 12 Bolt	34	
CC	M6 Wrench	1	

## Assembly Instruction

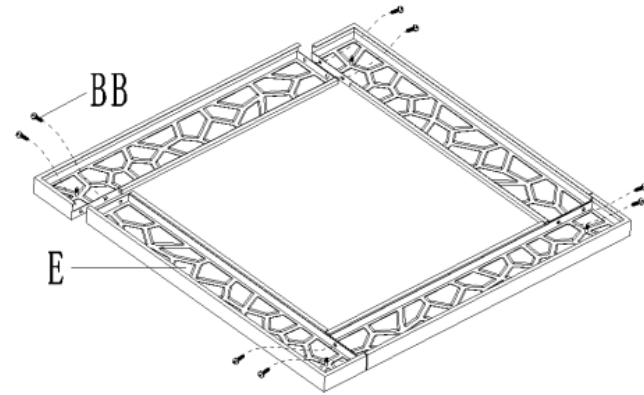
1. Attach the Handle(A) to the Mesh Wire Cover(B),using 1pc M6 Nut(AA).



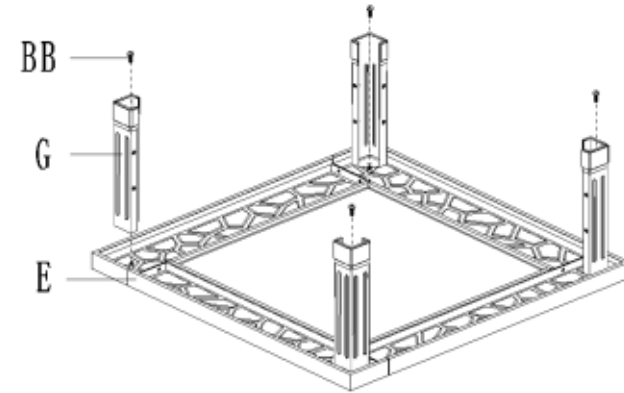
2. Attached the Wood Grate(C) to the Fire bowl(D),using 6pcs M6×12 Bolt(BB).



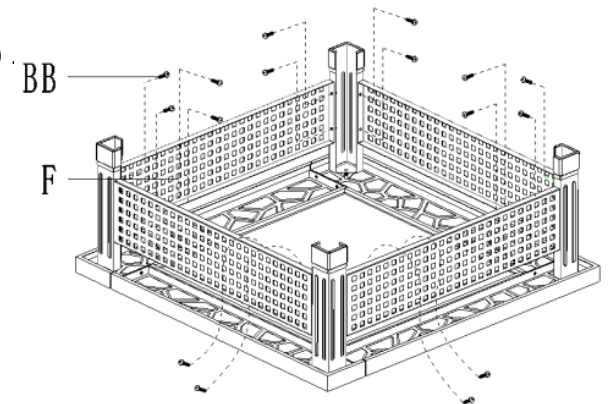
3. Put the 4pcs Steel Top(E) together, using 8pcs M6×12 Bolt(BB).



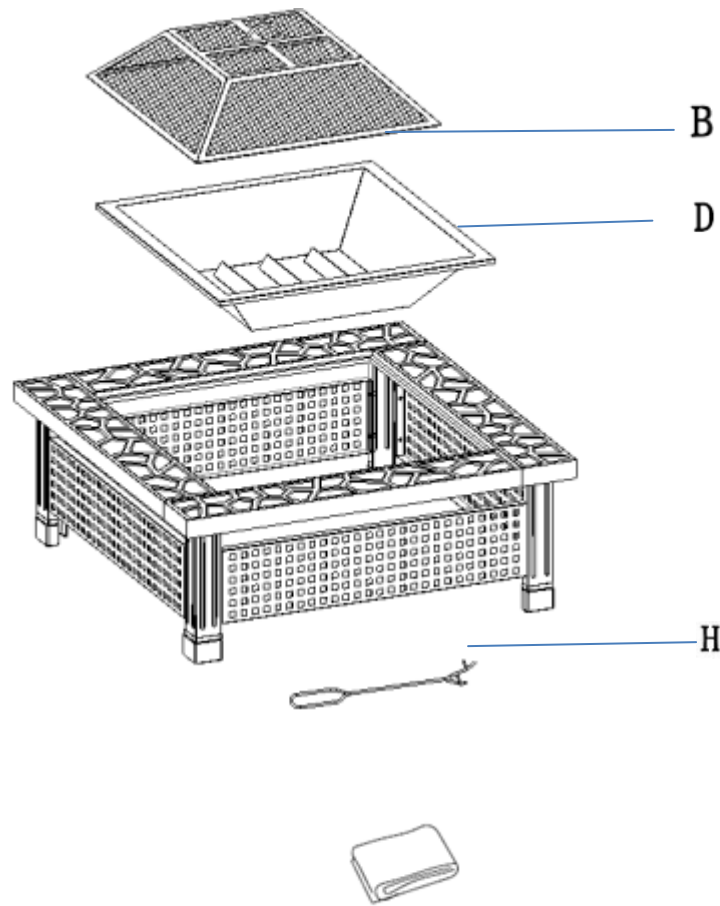
4. Attach the Leg(G) to the assembled Steel Top(E), using 4pcs M6×12 Bolt(BB) .



5. Attach the Side Panel(F) to the Leg(G),using 16pcs M6×12 Bolt(BB) .Tighten all screws by Wrench (CC) .



6. Upside down the assembled Table Top, place the Fire bowl(D) to the Top, put the Mesh Wire Cover(B)to the assembled Fire bowl. Put the Poker(H) near the fire pit. Now your fire pit is ready for use!



- \* **KEEP THE OUTDOOR FIRE PIT AT LEAST 20 FEET AWAY FROM ANY FLAMMABLE SURFACE OR DWELLING.**
- \* **KEEP AWAY FROM CHILDREN AND PETS.**
- \* **CHECK WITH THE LOCAL OFFICIALS AND FIRE DEPARTMENT FOR ORDINANCES REGARDING THE USE OF OUTDOOR FIRE PITS.**
- \* **NEVER USE GASOLINE, KEROSENE, LIGHTER FLUID, ALCOHOL OR ANY OTHER FLAMMABLE MATERIAL TO LIGHT YOUR FIRE.**
- \* **ALWAYS USE GLOVES AND PROTECTIVE GLASSES WHEN LOADING THE FIRE PIT OR EXTINGUISHING THE FIRE.**
- \* **NEVER LEAVE THE FIREPIT UNATTENDED WHEN NOT IN USE**
- \* **DO NOT MOVE THE FIRE PIT WHEN HOT OR LIT**
- \* **ALWAYS SET THE OUTDOOR FIREPIT ON A LEVEL NON-FLAMMABLE SURFACE**
- \* **DO NOT TOUCH FIRE PIT WHILE IN USE.**
- \* **NEVER OVER LOAD THE OUTDOOR FIREPIT**
- \* **ALWAYS MAKE SURE THE FIRE AND ASHES ARE COMPLETELY EXTINGUISHED WHEN NOT IN USE OR UNATTENDED**
- \* **HAVE A FIRE EXTINGUISHER AVAILABLE NEAR THE FIRE PIT IN CASE OF EMERGENCY**
- \* **THE LOG GRATE IS NOT INTENDED FOR COOKING, AND SHOULD NOT BE USED FOR THIS PURPOSE**
- \* **DO NOT BURN COAL, LEAVES OR OTHER COMBUSTIBLE MATERIALS IN THE FIRE PIT**

#### Care and Maintenance

This fire pit is a quality built product; the frame structure is made of powder coated steel, and under normal use and conditions is rust resistant. However if scratched, or under certain atmospheric conditions rust may occur. Should rust occur, we suggest using a steel brush or steel wool to remove the rust on the affected area. When the area is clean, apply a coat of primer and when dry spray a high heat anti rust metal paint onto the frame.

We also recommend the fire pit to be cleaned after use each time and cover it with pvc cover when not in use.

#### CLEANING

This outdoor fire pit should be cleaned on a regular basis to promote and longer product life. Do NOT attempt to clean this outdoor fire pit until the fire is COMPLETELY COOLED. Do NOT clean any part of this outdoor fire PIT with oven cleaner as it may damage the finish.

#### STORAGE

Do not move or store this outdoor fire pit until completely cooled.  
carefully remove the coals and ashes and dispose in a proper manner according to local and state ordinances after the fire pit is completely cooled .  
2.Cover fire pit when not in use. Make sure that the fire pit is completely cooled before covering.  
3.Store assembled in a location away from children and pets.  
Note: If not in use, store fire pit in a dry location to maximize product life.

MADE IN CHINA 2019-9

**Warning**  
**FOR OUTDOOR USE ONLY.**