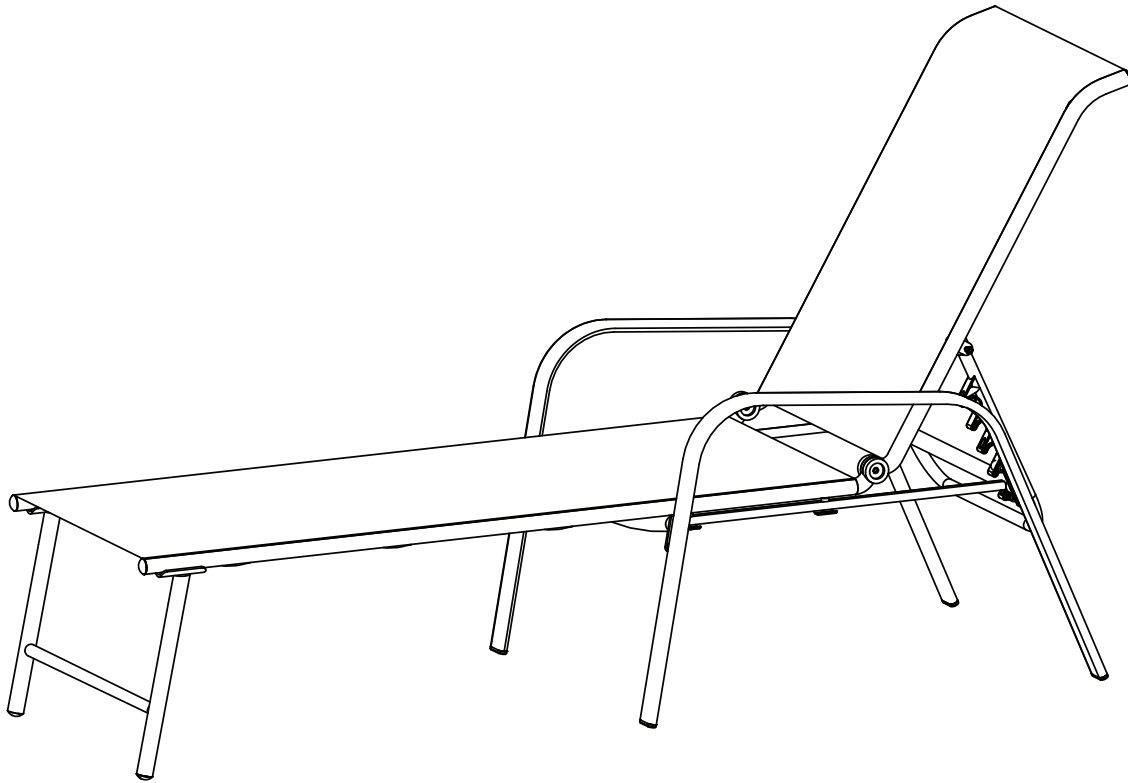


---

## USE AND CARE GUIDE

---

### SLING CHAISE - 2PK



Questions, problems, missing parts?  
Before returning to the store, call Customer Service  
8 a.m. - 7 p.m., EST, Monday - Friday, 9 a.m. - 6 p.m., EST, Saturday

**1-877-527-0313**

**HOMEDEPOT.COM**

---

#### **THANK YOU**


*We appreciate the trust and confidence you have placed in StyleWell through the purchase of this table. We strive to continually create quality products designed to enhance your home. Visit us online to see our full line of products available for your home improvement needs. Thank you for choosing StyleWell!*


# Table of Contents

Table of Contents . . . . .	2	Pre-Assembly . . . . .	3
Important Safety Instructions . . . . .	2	Planning Assembly . . . . .	3
Save These Instructions . . . . .	2	Hardware Included . . . . .	4
Read All Instructions Before Use . . . . .	2	Package Contents . . . . .	4
Warranty . . . . .	3	Assembly . . . . .	5
What is covered . . . . .	3	Care and Cleaning . . . . .	7
What is not covered . . . . .	3		

## Important Safety Instructions

### SAVE THESE INSTRUCTIONS


 **WARNING:** THIS CHAISE IS MADE FOR THE EXPLICIT PURPOSE OF PROVIDING OUTDOOR FUNCTIONS AND IS NOT TO BE USED AS A TOY. THIS PRODUCT IS INTENDED FOR NORMAL OUTDOOR USE; HOWEVER, THE MANUFACTURER RECOMMENDS STORING AND/OR COVERING THIS PRODUCT WHEN ANY FORMIDABLE/SEVERE WEATHER IS APPROACHING.

 **WARNING:** DO NOT LOCATE THIS PRODUCT NEAR OPEN FLAMES. DO NOT USE THIS PRODUCT AS A SUPPORT. DO NOT SHAKE, LEAN OR CLIMB ON THE PRODUCT. CHILDREN UNDER THE AGE OF 10, NEAR THE PRODUCT, SHOULD BE SUPERVISED BY A COMPETENT ADULT AT ALL TIMES. THIS PRODUCT IS NOT INTENDED FOR COMMERCIAL USE AND WILL VOID THE WARRANTY.


### READ ALL INSTRUCTIONS BEFORE USE


To reduce the risk of injury to persons:


1. Close supervision is necessary when this furnishing is used by or near children, or disabled persons, if applicable.
2. Use this furnishing only for its intended use as described in these instructions. Do not use attachments not recommended by the manufacturer.
3. Do not move the chaise while it is occupied. Failure to obey this caution could result in injury.


 **CAUTION:** When not in use, secure the product in a cool and covered location.


 **CAUTION:** Do not locate the product near any heat sources.

 **WARNING:** Weight limit for the chaise is 225lbs (102.05Kg) for each seat.

 **WARNING:** Please keep children out of the assembly area before assembly.

 **WARNING:** This chaise unit is heavy, and may require two adults for safe assembly.

 **WARNING:** Never use this product as a support. Do not shake, lean, or climb on the product at any time.

 **WARNING:** Do not place heavy objects on the chaise.

## Warranty

---

### 1 YEAR FRAME AND 1 YEAR FABRIC LIMITED WARRANTY

#### WHAT IS COVERED

We warrant the frames to be free of manufacturing defects to the original purchaser for one year, and a one year limited warranty for the fabric.

#### WHAT IS NOT COVERED

It remains the customer's responsibility for freight and packaging charges to and from our service center. This warranty does not cover commercial use, hardware, acts of nature, fire, freezing and abusive use. In addition, purchased parts are not covered under this warranty. We reserve the right to make substitutions with similar merchandise, if the model in question is no longer in production.

Contact the Customer Service Team at 1-877-527-0313 or visit [www.HOMEDEPOT.COM](http://www.HOMEDEPOT.COM).

## Pre-Assembly

---

### PLANNING ASSEMBLY

Read all instructions before assembly.

To avoid damaging this product, assemble it on a soft, non-abrasive surface such as carpet or cardboard.



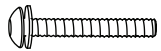
**NOTE:** More than one person may be required to assemble this product.

# Pre-Assembly (continued)

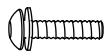
## HARDWARE INCLUDED



NOTE: Hardware not shown to actual size.



AA



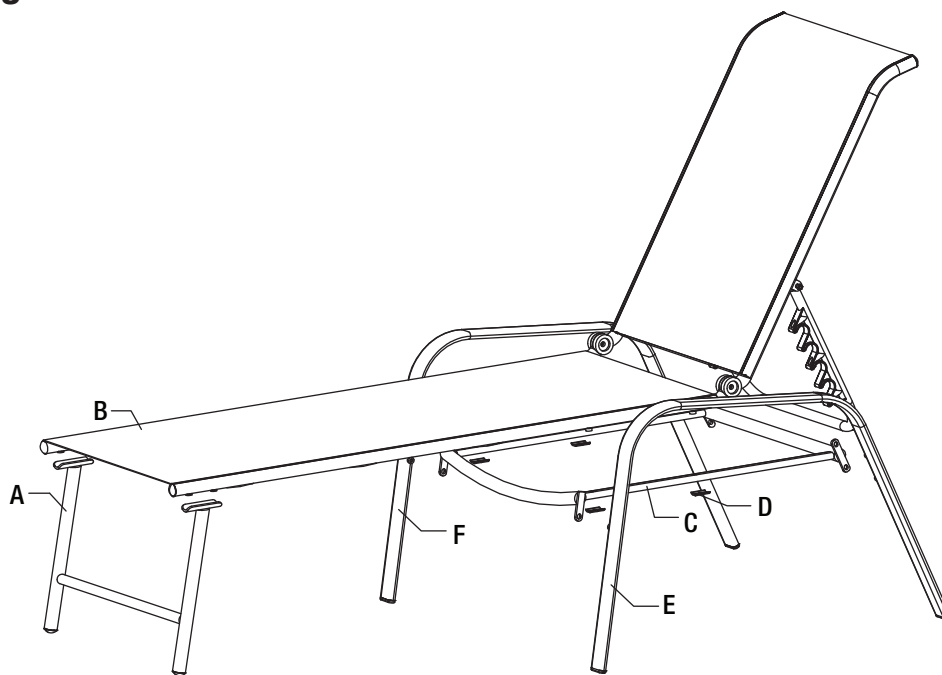
BB



CC

Part	Description	Quantity
AA	M6x30 Combination Bolt	8+1
BB	M6x20 Combination Bolt	20+1
CC	Hex Wrench	1

## PACKAGE CONTENTS



Part	Description	Quantity
A	Leg	2
B	Bucket	2
C	Support Frame	2
D	Support Plate	8
E	Left Arm	2
F	Right Arm	2

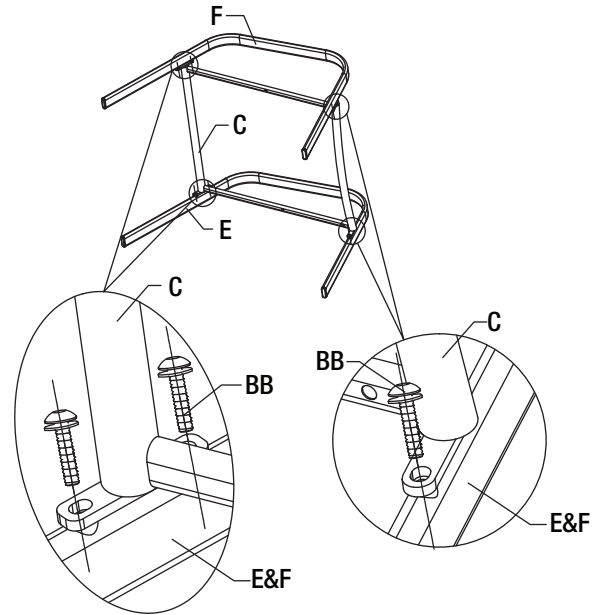
# Assembly

## 1 Connecting The Support Frame To The Arms

- Attach the support frame (C) to the arms (E&F) using M6x20 combination bolt (BB).



**NOTE:** Loosely tighten all the bolts using the hex wrench (CC).

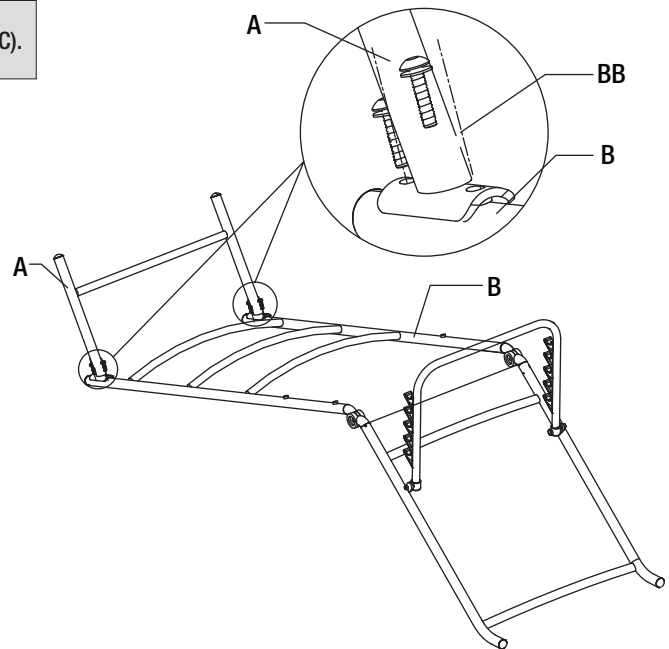


## 2 Connecting The Leg To The Bucket

- Place the bucket (B) upside down on a soft surface.
- Attach the leg (A) to the bucket (B) using M6x20 combination bolt (BB).



**NOTE:** Loosely tighten all the bolts using the hex wrench (CC).



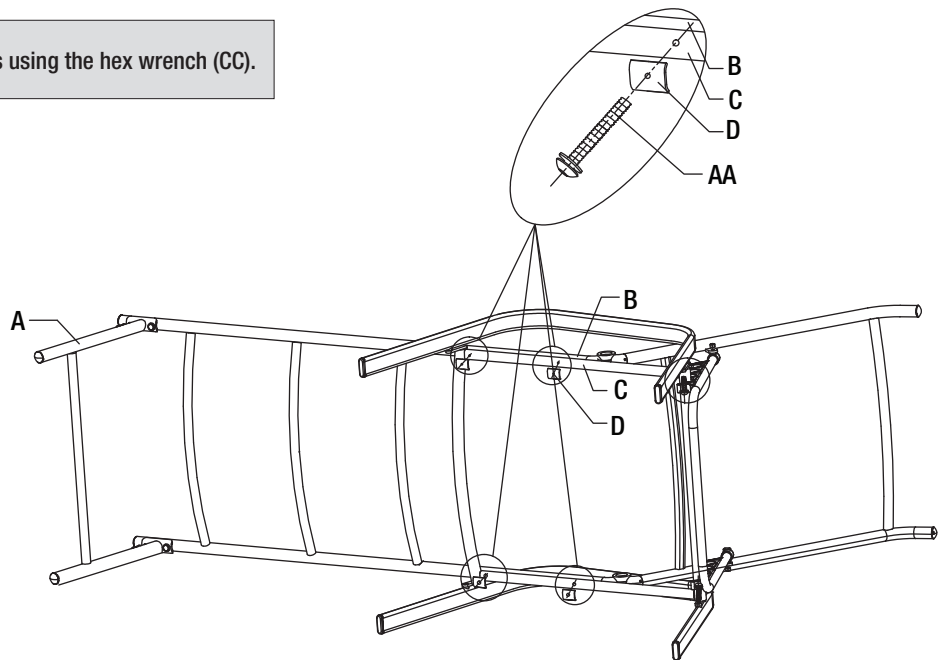
## Assembly (continued)

### 3 Connecting The Support Frame To The Bucket

- Attach the support frame (C) to the bucket (B) using M6x30 combination bolt (AA) and support plates (D).

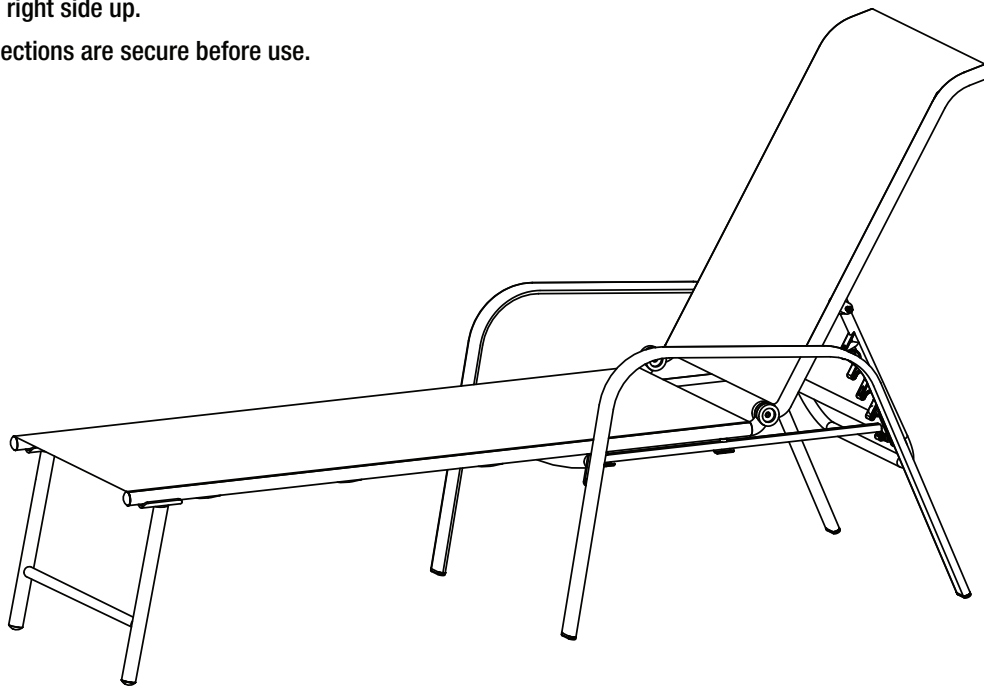


**NOTE:** Loosely tighten all the bolts using the hex wrench (CC).



### 4 Tightening All Bolts

- Once all of the bolts are in place, fully tighten all the bolts.
- Turn the chaise right side up.
- Ensure all connections are secure before use.



## Care and Cleaning

---

- For best results, clean the frame and fabric with a damp cloth and dry thoroughly. This will help prevent mildew by removing dirt particles that may accumulate.
- Do not clean with abrasive materials, bleach or solvents.
- Store the chaise in a dry sheltered place when not in use.
- Keep the chaise out of fire, extreme heat, freezing conditions, and inclement weather as rain, hail, sleet, snow, or wind.

# StyleWell™

Questions, problems, missing parts? Before returning to the store,  
call StyleWell Customer Service  
8 a.m. - 7 p.m., EST, Monday - Friday, 9 a.m. - 6 p.m., EST, Saturday

**1-877-527-0313**

**HOMEDEPOT.COM**

Retain this manual for future use.

For certification use only
Factory ID# FLS00207