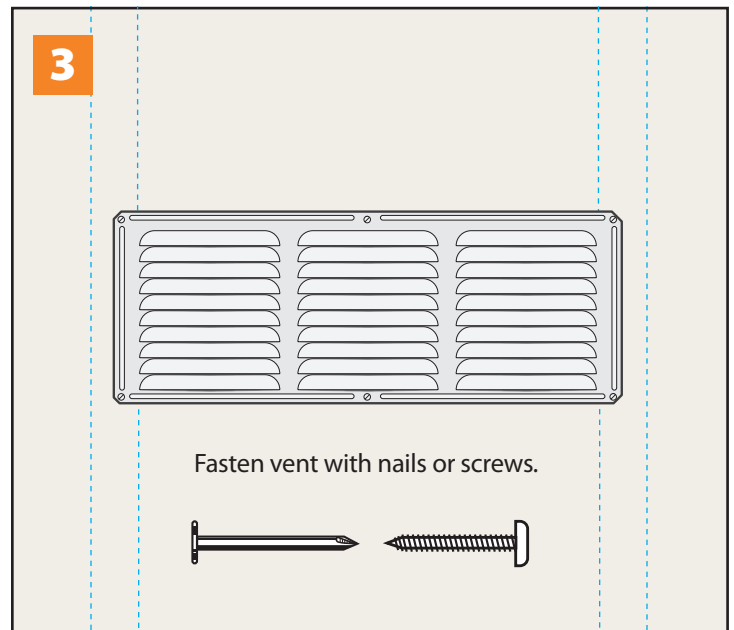
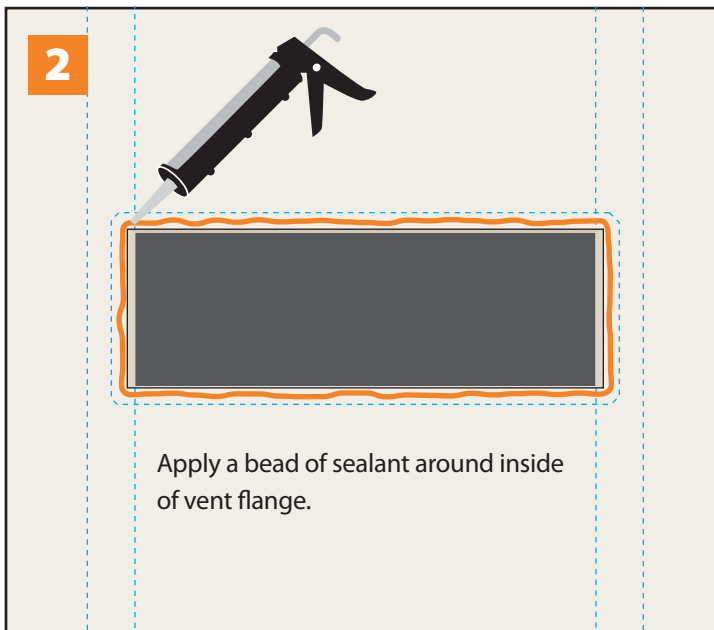
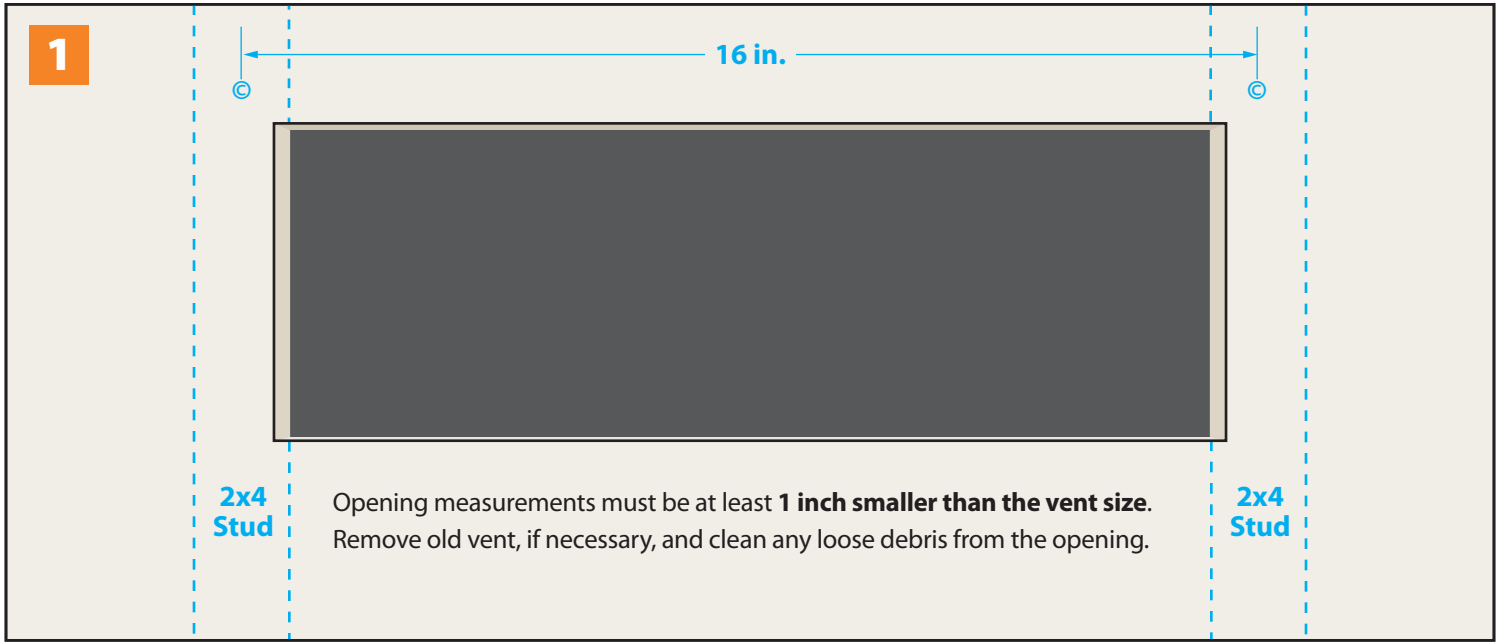


Face On Vents – Used where surface mount venting is needed or to cover openings where original installed vents have deteriorated. These vents are ideal for use where traditional framing members (studs) are 16 in. on center.



CAUTION! Working above grade is inherently dangerous, be sure that proper fall protection measures are in place. When working with power tools and sheet metal, gloves and eye protection are absolutely required.

These installation guidelines are for use with typical or standard applications. It is always recommended to seek advice from a licensed professional, and to check with your local building inspector or building permit office for approvals and possible variations that may apply.