



Champion Power Equipment, Inc., Santa Fe Springs, CA USA

MODEL #100380

PARTS INFORMATION

REAR TINE TILLER

SERIAL NUMBER RANGE: ALL



To order replacement parts please visit:
shop.championpowerequipment.com
or call **1-877-338-0999**.

TABLE OF CONTENTS

Parts Diagram.....	3
Parts List	7
Engine Parts Diagram R210III	12
Engine Parts List R210III.....	13
Engine Parts Diagram R210P	15
Engine Parts List R210P.....	16
Engine Parts Diagram 1TC7QG021	20
Carburetor Part List 1TC7QG021	21

PARTS DIAGRAM

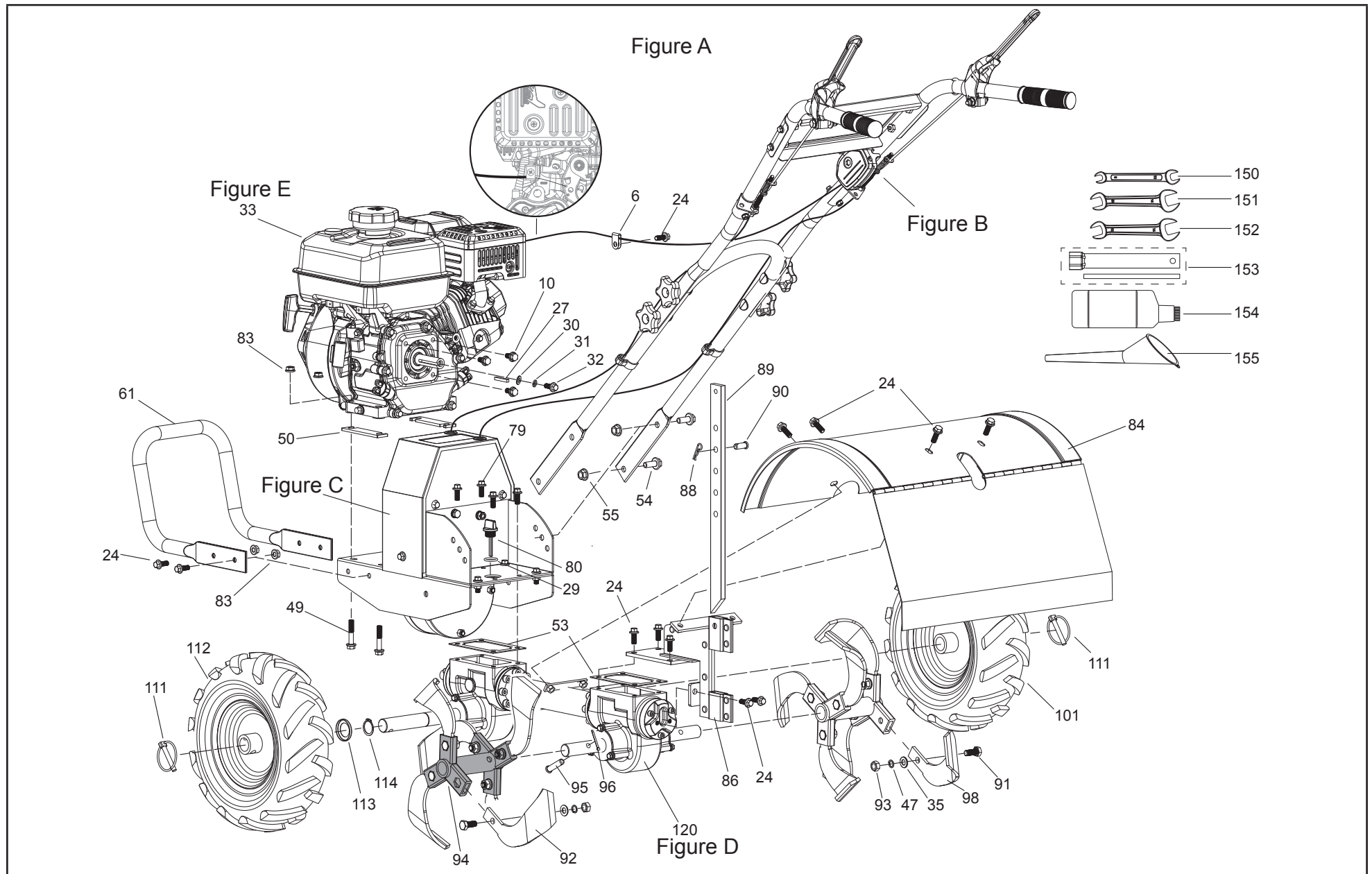


Figure B

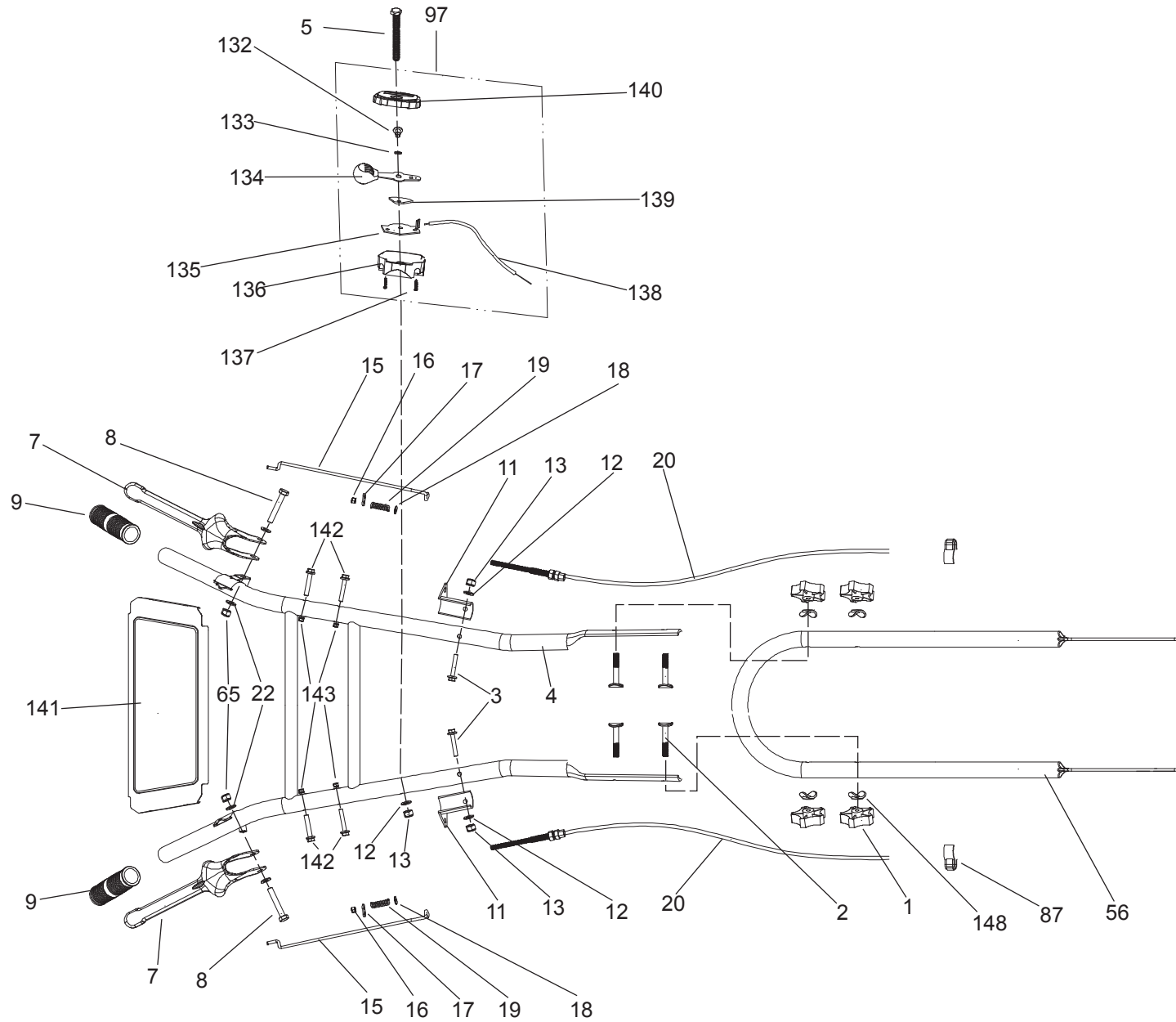


Figure C

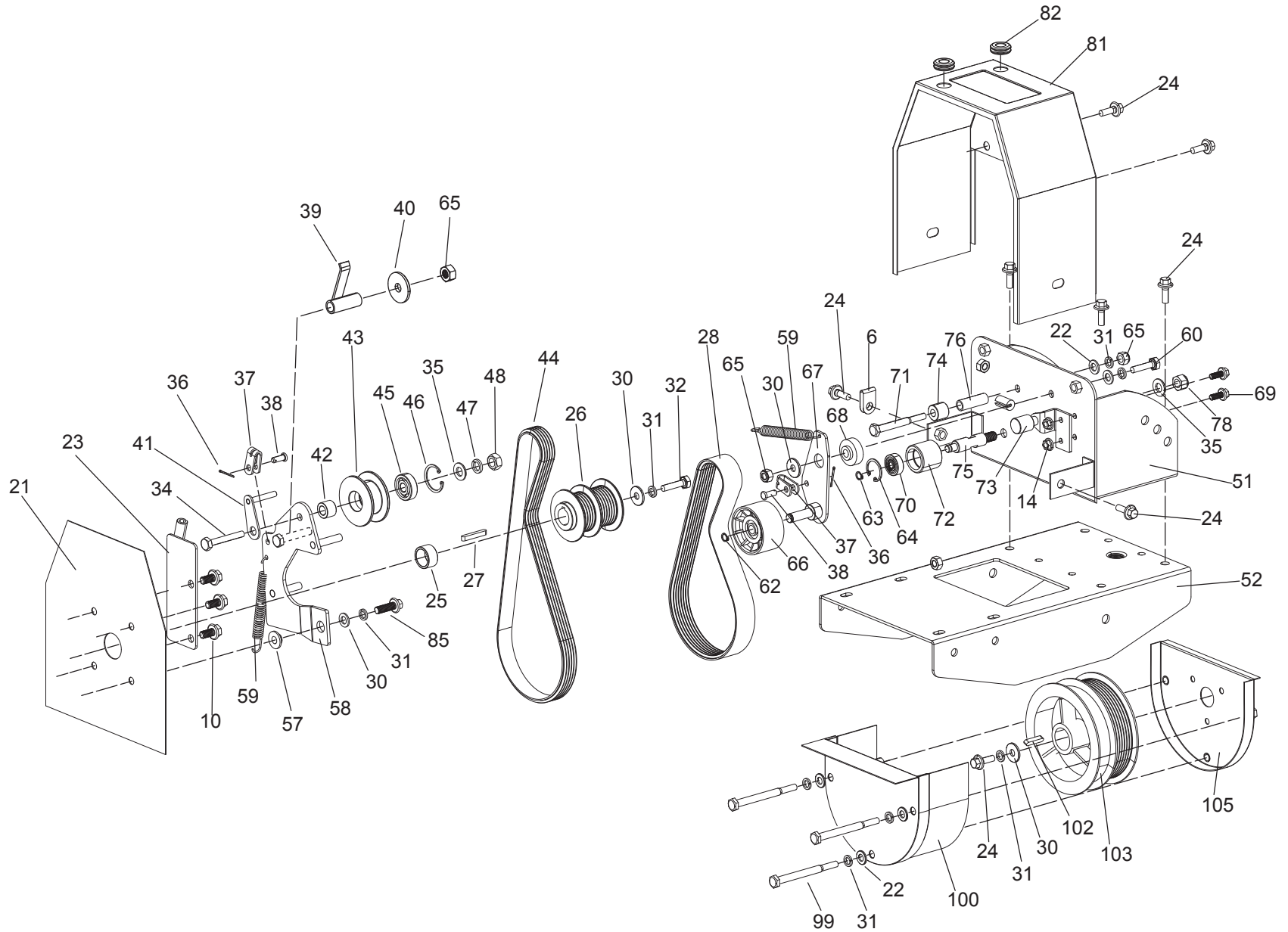
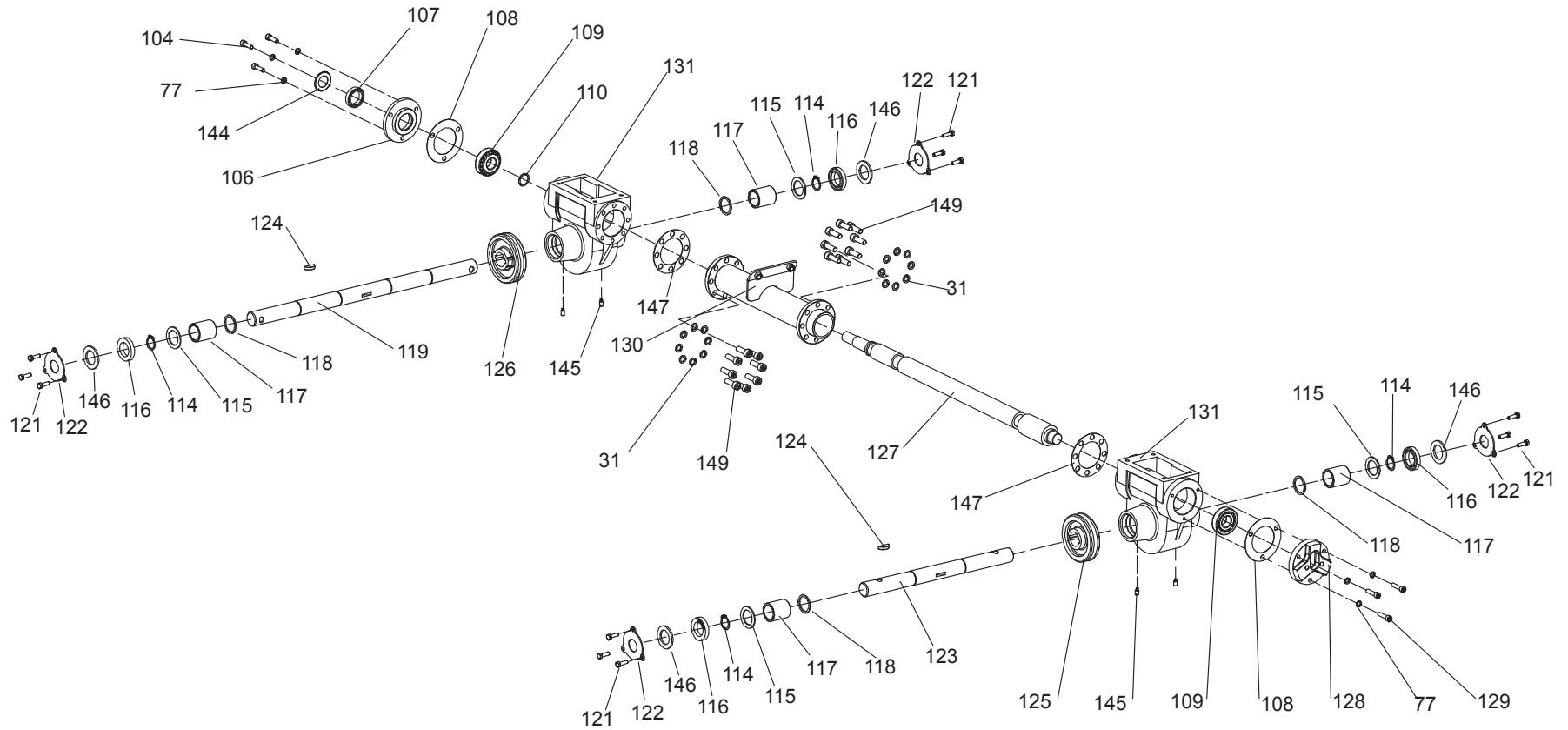


Figure D



PARTS LIST

#	Part Number	Description	Qty.
1	100380-001	Handle Bar Knob Nut	4
	S/N:<21MAY1320		
	100380-119		
	S/N:>NP2108240210		
2	100380-002	Fan-shaped Screw M8 × 50	4
3	100379-026	Flange Bolt M6 × 35	2
4	100380-003.2	Handle Bar Assembly, Black	1
5	100379-009	Bolt M6 × 60	1
6	100380-004	Wire Nip	1
7	100380-005.2	Clutch Lever, Black	2
8	100380-006	Bolt M8 × 25	2
9	100380-007	Handle cover	2
10	100379-033	Flange Bolt M8 × 16	3
11	100380-008	Cable Fixing Plate	2
12	100379-019	Flat Washer Ø6	3
13	100379-020	Locknut M6	3
14	100379-099	Flange Locknut M6	2
15	100380-009	Clutch Rod	2
16	100380-010	Locknut M5	2
17	100380-011	Pull Pole Protector	2
18	100380-012	Flat Washer Ø5 × Ø12 × 1	2
19	100380-013	Spring	2
20	100380-014	Clutch Cable Assembly	2
21	100380-015.48	Big Belt Cover Protector, Yellow	1
22	100379-016	Flat Washer Ø8	9
23	100380-016	The Backward Pull Plate Assembly	1
24	100380-017	Flange Bolt M8 × 20	23
25	100380-018	Small Belt Wheel Shaft Bushing	1

#	Part Number	Description	Qty.
26	100380-019	Small Belt Wheel	1
27	100380-020	Flat Key 4.78 × 5 × 35	1
28	100380-114	Belt 7PK612	1
29	100380-022	Oil Dipstick Gasket	1
30	100380-023	Flat Washer Ø8 × Ø22 × 2	4
31	100379-029	Spring Washer Ø8	24
32	100380-116	Bolt 5/16-24UNF-L=20	1
33	R210P-B00KY	Gasoline Engine	1
	S/N:<21MAY1320		
	R210III		
	S/N:<21MAY1320		
	1TC7QG021		
	S/N:>NP2108240210		
34	100380-024	Bolt M10 × 50	1
35	100379-040	Flat Washer Ø10	14
36	100380-025	Pin Ø1.5 × 20	2
37	100380-026	Cable Clip	2
38	100380-027	Pin Roll Ø6 × 16	2
39	100380-028	Shaft Bushing 1	1
40	100379-057	Flat Washer Ø8 × Ø28 × 3	1
41	100380-029	Belt Buckle	1
42	100380-030	Reverse Tension Sleeve	1
43	100380-031	Reverse Tension Wheel	1
44	100380-115	Belt 5PK730	1
45	100380-033	Bearing 6200	1
46	100380-034	Circlip 30	1
47	100379-111	Spring Washer Ø10	13
48	100380-035	Nut M10	1

100380 - REAR TINE TILLER

#	Part Number	Description	Qty.
49	100379-093	Flange Bolt M8 × 45	4
50	100380-117	Ajustable Plate	2
51	100380-037.48	Handle Seat Assembly, Yellow	1
52	100380-038.48	Engine Seat Assembly, Yellow	1
53	100380-039	Gaskets	2
54	100380-040	Flange Bolt M10 × 25	4
55	100380-041	Flange Locknut M10	2
56	100380-042.2	Handle Arm, Black	1
57	100380-043	Tension Bushing	1
58	100380-044	Tension Seat Plate Assembly	1
59	100380-045	Spring	2
60	100380-046	Bolt M8 × 30	1
61	100380-047.2	Bumper, Black	1
62	100380-048	Circlip 10	1
63	100379-064	Circlip 8	1
64	100379-065	Circlip 24	1
65	100379-015	Locknut M8	5
66	100380-049	Forward Tension Wheel	1
	S/N:<21MAY1320		
	100380-121		
	S/N:>NP2108240210		
67	100380-050	Clutch Arm Assembly	1
	S/N:<21MAY1320		
	100380-122		
	S/N:>NP2108240210		
68	100380-051	Tension Bushing	1
69	100379-108	Flange Bolt M6 × 16	2
70	100379-063	Bearing 628	1
71	100380-052	Bolt M8 × 70	1
72	100380-053	Tension Wheel	1
73	100380-054	Retaining Stem Components Belt	1
74	100380-055	Belt Block Set 2	1

#	Part Number	Description	Qty.
75	100380-056	Tension Wheel Pole	1
76	100380-057	Belt Block Set 1	1
77	100380-058	Spring Washer Ø6	6
78	100380-059	Locknut M10	1
79	100379-048	Flange Bolt M8 × 25	4
80	100380-060	Oil Dipstick	1
81	100380-061.48	Big Belt Cover Protector, Yellow	1
82	100380-062	Cable Protector	2
83	100379-032	Flange Locknut M8	8
84	100380-063.48	Safety Guard Assembly, Yellow	1
85	100379-080	Bolt M8 × 25	1
86	100380-064.2	Depth Regulator Seat Assembly, Black	1
	S/N:<21MAY1320		
	100380-157.2		
	S/N:>NP2108240210		
87	100380-065	Ply-yarn Drill	2
88	100379-042	B Uncork Pin Ø2 x 37	1
	S/N:<21MAY1320		
	100380-123	R Uncork Pin Ø2.5 x 35	
	S/N:>NP2108240210		
89	100380-066.2	Safety Guard, Black	1
90	100380-067	Pin Roll Ø10 × 25	1
91	100379-113	Bolt M10 × 1 × 25	12
92	100380-068.2	Left Tillage Blade, Black	6
93	100379-110	Nut M10 × 1	12
94	100380-069.2	Tool Carrier Assembly, Black	2
95	100380-070	Pin Roll Ø10 × 42	2
96	100380-071	Pin Ø3 × 30	2
97	100380-072	Throttle Switch	1
	S/N:<21MAY1320		
	100380-124		
	S/N:>NP2108240210		

#	Part Number	Description	Qty.
98	100380-073.2	Right Tillage Blade, Black	6
99	100380-074	Bolt M8 x 90	3
100	100380-075.48	Small Belt Cover Assembly, Yellow	1
101	100380-112.48	Wheel, Right, 13inch, Yellow	1
102	100380-077	Flat Key 5 x 5 x 25	1
103	100380-078	Big Belt Wheel	1
104	100379-005	Screw M6 x 20	3
105	100380-079.48	Small Belt Cover Protector Assembly, Yellow	1
106	100380-080.2	Front Cover	1
	S/N:<21MAY1320		
	100380-125.2		
	S/N:>NP2108240210		
107	100380-081	Framework Oil Seal Ø20 x Ø32 x 6	1
	S/N:<21MAY1320		
	100380-126	Framework Oil Seal Ø20 x Ø35 x 7	
108	100380-082	Gaskets 1	2
	S/N:<21MAY1320		
	100380-127		
	S/N:>NP2108240210		
109	100380-083	Cone Needle Bearing 7204E	2
	S/N:<21MAY1320		
	100380-128	Cone Needle Bearing 30204	
110	100380-084	Adjusting Shim	1
	S/N:<21MAY1320		
	100380-129		
	S/N:>NP2108240210		
111	100380-085	Lock Pin	2
112	100380-113.48	Wheel, Left, 13inch	1
113	100380-087	Wheel Shaft Cap	2

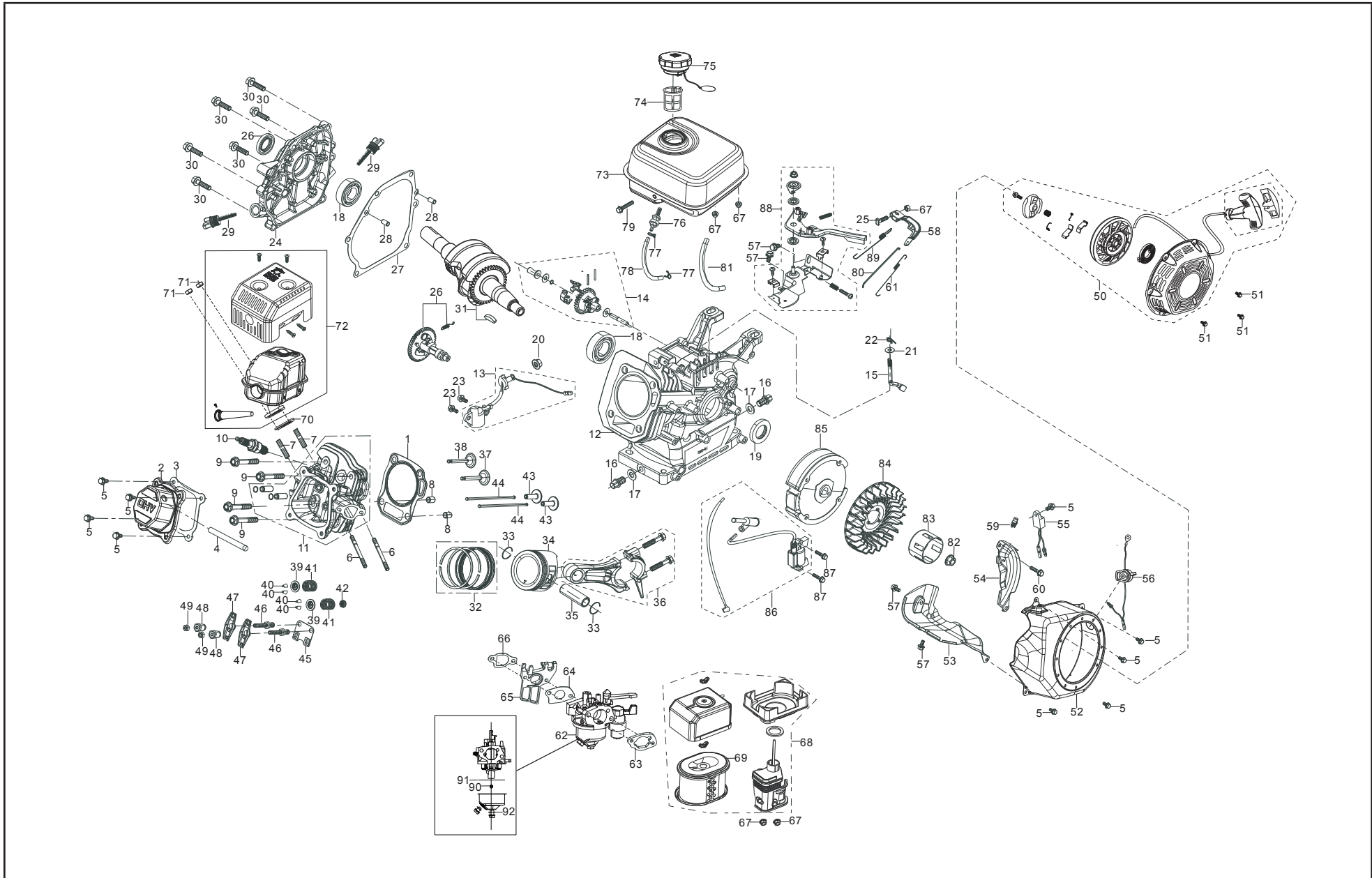
#	Part Number	Description	Qty.
114	100380-088	Circlip 25	6
115	100380-089	Locating Washer	4
	S/N:<21MAY1320		
	100380-130	Washer Ø26 x Ø37 x 2	
	S/N:>NP2108240210		
116	100380-090	Framework Oil Seal Ø25 x Ø40 x 7	4
117	100380-091	Shaft Sleeve	4
	S/N:<21MAY1320		
	100380-131		
	S/N:>NP2108240210		
118	100380-092	Ajustable Washer	4
	S/N:<21MAY1320		
	100380-132	Washer Ø26 x Ø31.6 x 1.5	
	S/N:>NP2108240210		
119	100380-093	Wheel Shaft	1
	S/N:<21MAY1320		
	100380-133		
	S/N:>NP2108240210		
120	100380-095.2	Gear Worm Box Assembly	1
	S/N:<21MAY1320		
	100380-134.2		
	S/N:>NP2108240210		
121	100380-096	Flange Bolt M6 x 12	12
	S/N:<21MAY1320		
	No need this part		
	S/N:>NP2108240210		
122	100380-097	'Oil Seal Cap	4
	S/N:<21MAY1320		
	No need this part		
	S/N:>NP2108240210		

#	Part Number	Description	Qty.
123	100380-098	Tiller Shaft	1
	S/N:<21MAY1320		
	100380-136		
	S/N:>NP2108240210		
124	100380-099	Semicircle Key	2
125	100380-100	Tiller Worm Wheel	1
	S/N:<21MAY1320		
	100380-137		
	S/N:>NP2108240210		
126	100380-101	Worm Wheel	1
	S/N:<21MAY1320		
	100380-138		
	S/N:>NP2108240210		
127	100380-102	Worm Wheel Shaft	1
	S/N:<21MAY1320		
	100380-139		
	S/N:>NP2108240210		
128	100380-103.2	Rear Cap	1
	S/N:<21MAY1320		
	100380-140.2	Rear Cover	
	S/N:>NP2108240210		
129	100380-104	Screw M6 x 25	3
130	100380-105.2	Gear Worm Box Connect Tube	1
	S/N:<21MAY1320		
	100380-141.2		
	S/N:>NP2108240210		
131	100380-106.2	Gear worm Box	2
	S/N:<21MAY1320		
	100380-142.2		
	S/N:>NP2108240210		

#	Part Number	Description	Qty.
132	100379-013	Rivet	1
	S/N:<21MAY1320		
	100380-143		
	S/N:>NP2108240210		
133	100379-123	Saddle Elastic Washer Ø10	1
134	100379-112.1	Screw M8 x 25	1
	S/N:<21MAY1320		
	100380-145.1		
	S/N:>NP2108240210		
135	100379-120	Throttle cable fix plate	1
	S/N:<21MAY1320		
	100380-146		
	S/N:>NP2108240210		
136	100379-023	Right Throttle Switch Box	1
	S/N:<21MAY1320		
	100380-147		
	S/N:>NP2108240210		
137	100380-148	Self-tapping Screw ST2.9 x 20	2
138	100379-014	Throttle Cable	1
	S/N:<21MAY1320		
	100380-149		
	S/N:>NP2108240210		
139	100379-121	throttle speed positon plate	1
	S/N:<21MAY1320		
	100380-150		
	S/N:>NP2108240210		
140	100379-021	Left Throttle Switch Box	1
	S/N:<21MAY1320		
	100380-151		
	S/N:>NP2108240210		
141	100380-118.1	Logo Plate	1
142	100380-110.2	Flange Bolt M6 x 35	4

#	Part Number	Description	Qty.
143	100380-111.2	Flange Locknut M6	4
144	No need this part	Front Dustproof Cover	1
	S/N:<21MAY1320		
	100380-152		
	S/N:>NP2108240210		
145	No need this part	Set Screw M6 x 12	4
	S/N:<21MAY1320		
	100380-153		
	S/N:>NP2108240210		
146	No need this part	Dustproof Cover	4
	S/N:<21MAY1320		
	100380-154		
	S/N:>NP2108240210		
147	100380-158	Round Paper Gasket II	2
	S/N:<21MAY1320		
	100380-155		
	S/N:>NP2108240210		
148	100379-016	Curved washer	4
	S/N:<21MAY1320		
	21061000110301A		
	S/N:>NP2108240210		
149	100380-144	Screw M8 x 25	16
150	100380-1000	Open End Wrench 8-10mm	1
151	100380-1010	Open End Wrench 12-14mm	1
152	100380-1020	Open End Wrench 13-16mm	1
153	93130-Z010110-0101	Spark Plug Wrench(engine)	1
154	100158273	0.5L_SG10W30	1
155	93106-Z010110-0001	Oil Funnel	1

ENGINE PARTS DIAGRAM R210III



ENGINE PARTS LIST R210III

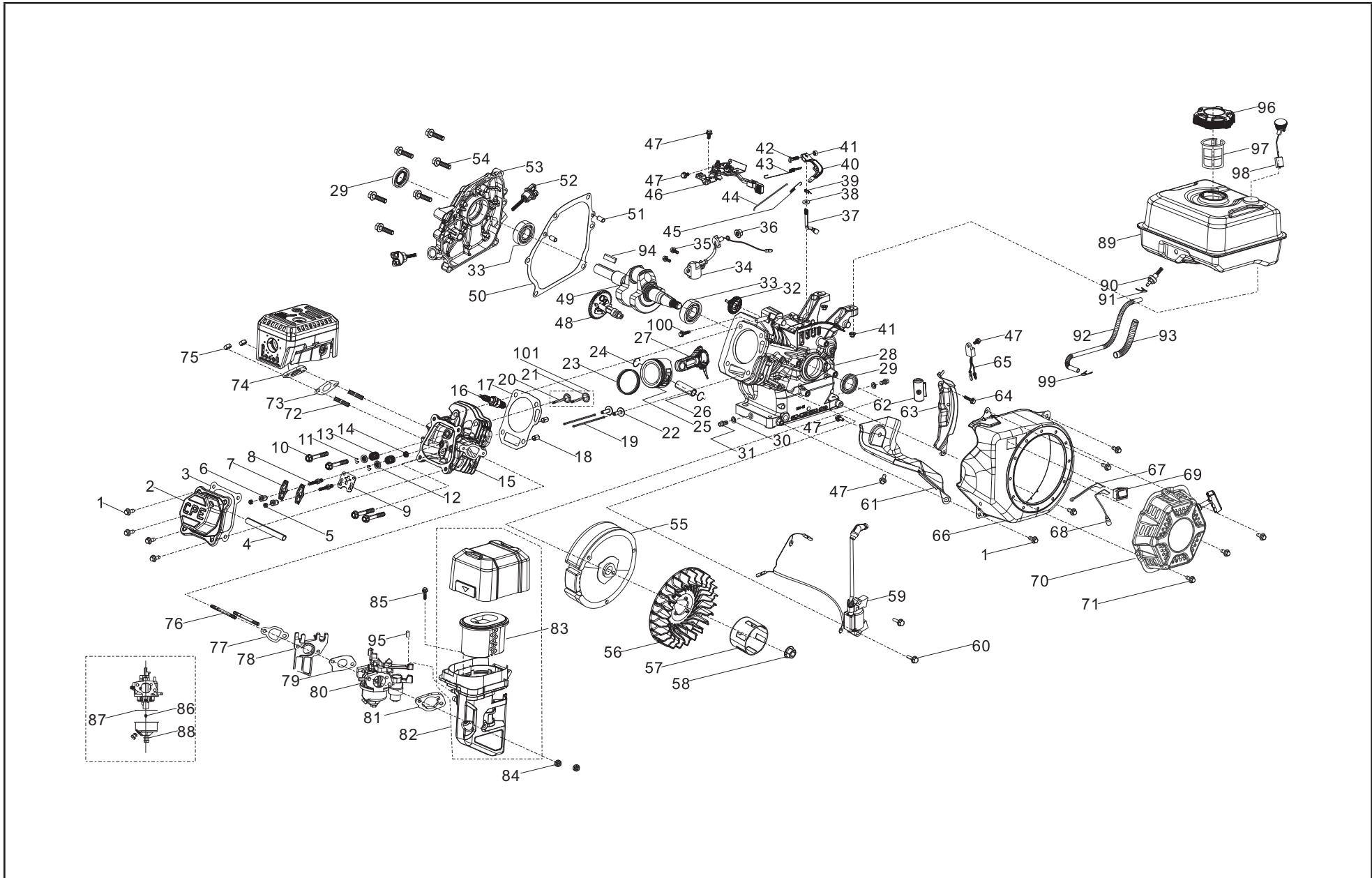
#	Part Number	Description	Qty.
1	12131-Z950110-0000	Gasket, Cylinder Head	1
2	12410-Z440110-0099	Cover Subassembly, Cylinder Head	1
3	12004-Z440110-0000	Gasket, Cylinder Head Cover	1
4	17004-Z010310-0000	Tube, Breather, Ø8 × Ø12 × 90	1
5	90001-0612-01	Bolt, M6 × 12	9
6	90204-Z010310-0000	Stud, M6 × 113	2
7	90203-Z010110-0000	Stud, M8 × 34	2
8	90502-1114-00	Pin, d=11 L=14	2
9	12003-Z010110-0000	Bolt, Cylinder Head, M8 × 60	4
10	30010-Z010110-0000	Plug, Spark, M14 × 1.25-6e L=81, F6RTC	1
11	12140-Z810210-0000	Head Subassembly, Cylinder	1
12	11310-Z530420-0099	Crankcase Subassembly	1
13	37060-Z010120-0000	Sensor, Engine Oil	1
14	16400-Z010110-0000	Gear Assembly, Governor	1
15	16061-Z010110-0000	Arm, Governor	1
16	11007-Z010110-0000	Bolt, Drain Plug, M10 × 1.25 × 15	2
17	90408-Z010110-0000	Washer, Ø10 × 1.25 × Ø15	2
18	90547-0205-CL	Bearing, Ø25 × Ø52 × 15	2
19	90682-Z300110-0000	Seal, Oil d=25 D=41.25 b=6	2
20	90305-Z010210-01	Nut, M10	1
21	90408-Z010210-0000	Washer, Ø6.2 × Ø15 × 0.6	1
22	90501-Z010110-0000	Cotter Pin, Ø1.2 L=26	1
23	90001-0614-01	Bolt, M6 × 14	2
24	11411-Z440310-0000	Cover, Crankcase	1
25	16072-Z010110-0000	Bolt, Governor Support, M6 × 21	1
26	14200-530210-0099	Camshaft Assembly	1

#	Part Number	Description	Qty.
27	11001-Z440110-0000	Gasket, Crankcase	1
28	90502-0912-00	Pin, d=9 L=12	2
29	15010-Z290110-0B00	Dipstick Subassembly, Oil	2
30	90001-0832-01	Bolt, M8 × 32	6
31	13300-Z533210-0000	Crankshaft Assembly	1
32	13200-Z140210-0099	Piston Ring Assembly	1
33	13122-Z010110-0000	Clip, Piston Pin	2
34	13111-Z140220-0099	Piston	1
35	13121-Z010110-0000	Pin, Piston	1
36	13010-Z440210-0099	Rod, Connecting	1
37	12110-Z810110-0099	Intake Valve	1
38	12110-Z810120-0099	Exhaust Valve	1
39	12112-Z810210-0000	Seat, Valve Spring	2
40	12109-Z810110-0000	Lock Clamp, Valve	4
41	12103-Z010110-0000	Spring, Valve	2
42	12101-Z810210-0000	Guide, Seal	1
43	14081-Z040110-0000	Tappet, Valve	2
44	14071-Z440110-0000	Lifter, Valve	2
45	14090-Z010110-0000	Plate Subassembly, Lifter Stopper	1
46	14313-Z010110-0000	Bolt, Valve Adjusting	2
47	14311-Z010110-0000	Rocker, Valve	2
48	14314-Z010110-0000	Nut, Valve Adjusting	2
49	14312-Z010110-0000	Nut, Valve Lock	2
50	28200-Z300110-H600	Starter Assembly, Recoil, Black	1
51	90001-0608-01	Bolt, M6 × 8	3
52	28110-Z010410-0B00	Shroud, PMS 109 C	1
53	19304-Z010610-0000	Shroud, Cylinder Body	1
54	19340-Z010120-0000	Shield, Lower	1
55	37050-Z010210-0000	Protector, Oil	1
56	35540-Z060140-Q200	Switch Subassembly, Stop Engine	1

#	Part Number	Description	Qty.
57	90001-0610-01	Bolt, M6 × 10	4
58	16070-Z010110-0000	Support Subassembly, Governor	1
59	90740-Z010110-0000	Collar, Ø15	1
60	90001-0616-01	Bolt, M6 × 16	1
61	16012-Z010110-0000	Spring, Throttle Valve Returning	1
62	16100-Z530610-0709	Carburetor Assembly	1
63	17001-Z010210-0000	Gasket, Air Cleaner	1
64	16001-Z010110-0000	Gasket, Carburetor	1
65	16003-Z010110-0000	Plate, Carburetor Insulator	1
66	16002-Z050110-0000	Gasket, Carburetor Insulator	1
67	90305-0600-31	Nut, M6	5
68	17100-Z010210-0000	Air Cleaner Assembly, Black	1
69	17150-Z010110-0000	Element, Air Cleaner	1
70	18001-Z440110-0000	Gasket, Exhaust Outlet	1
71	90303-0800-31	Nut, M8	2
72	18100-Z012410-H300	Muffler Assembly, Black	1
73	16620-Z440410-H600	Fuel Tank, Black	1
74	16652-Z010710-0000	Strainer, Fuel	1
75	16730-Z440210-LK00	Fuel Tank Cap, Black	1
76	16680-Z010110-0000	Outlet Subassembly, Fuel Tank Oil	1
77	90740-Z010210-0000	Collar, Ø7.5	2
78	90686-Z010710-0000	Tube, Fuel, Ø4.5 × Ø8.5 × 160	1
79	90001-0630-01	Bolt, M6 × 30	1
80	16062-Z010110-0000	Rod, Governor	1
81	30431-Z010110-0000	Jacket, Rubber	1
82	13501-Z010110-0000	Nut, Flywheel, M14 × 1.5	1
83	28002-Z010310-0000	Pulley, Starter	1
84	19352-Z440110-0000	Cooling Fan	1
85	13510-Z440410-0000	Flywheel Subassembly	1
86	30400-Z440110-0100	Coil, Ignition	1

#	Part Number	Description	Qty.
87	90001-0625-01	Bolt, M6 × 25	2
88	16520-Z010430-0001	Control Assembly, Throttle	1
89	16063-Z050510-0000	Spring, Governor	1
90	16161-Z030310-0000	Main Jet, H128 × 0.91, Standard	1
	16161-Z010310-0000	Main Jet, H128 × 0.94, Altitude 3000-6000 feet	/
	16161-Z050210-0000	Main Jet, H128 × 0.97, Altitude 6000-8000 feet	/
91	16112-Z010110-0000	Seal Ring, Float	1
92	90681-Z010510-0000	Seal Ring	1

ENGINE PARTS DIAGRAM R210P



ENGINE PARTS LIST R210P

#	Part Number	Description	Qty.
1	90001-0612-0101	Hexagon Flange Bolt, M6 x 12, Blue White Zinc	8
2	12410-Z440110-0001	Cylinder Head Cover Subassembly, Blue White Zinc	1
3	12004-Z440110-00A0	Cylinder Head Cover Gasket	1
4	17004-Z440110-0002	Tube, Breather, Ø8 x Ø12 x 90	1
5	14312-Z010110-0000	Valve Lock Nut	2
6	14314-Z010110-0000	Valve Adjusting Nut	2
7	14311-Z010110-0000	Valve Rocker	2
8	14313-Z010110-0000	Valve Adjusting Bolt	2
9	14090-Z010110-0000	Lifter Stopper Plate Subassembly, Blue White Zinc	1
10	12003-Z010110-0001	Cylinder Head Bolt, M8 x 60, Blue White Zinc	4
11	12109-Z810110-0000	Valve Lock Clamp	4
12	12112-Z810210-0000	Valve Spring Retainer	2
13	12103-Z010110-0000	Valve Spring	2
14	12101-Z810210-0000	Seal Guide	1
15	12140-Z810210-00A0	Cylinder Head Subassembly	1
16	30010-Z010110-0000	Spark Plug, F6RTC	1
17	12131-Z950110-0000	Cylinder Head Gasket	1
18	90502-1114-00	Pin, 11 x 14	2
	S/N:<20DEC0900		
	S/N:<NP2102061050		
	90502-1114-00A0		
	S/N:21APR0001+		
	S/N:NP2104010001+		
19	14071-Z440110-0000	Valve Lifter	2
20	12121-Z810120-0000	Exhaust Valve	1
21	12111-Z810110-0000	Inlet Valve	1
22	14081-Z040110-0000	Valve Tappet	2
23	13200-Z140210-00A9	Piston Ring Assembly	1

#	Part Number	Description	Qty.
24	13122-Z010110-0000	Piston Pin Clip	2
25	13111-Z140220-0099	Piston	1
26	13121-Z010110-0000	Piston Pin, Ø18 x Ø54	1
27	13010-Z440210-00A9	Connecting Rod	1
28	11310-Z530420-00A9	Crankcase Subassembly	1
29	90682-Z300110-0001	Oil Seal, Ø25 x Ø41.25 x 6	2
30	90408-Z010110-0000	Washer, Ø10 x Ø15.8 x 1.5	2
	S/N:<20DEC0900		
	S/N:<NP2102061050		
	90408-Z010110-00A0		
	S/N:21APR0001+		
	S/N:NP2104010001+		
31	11007-Z010110-0001	Drain Plug Bolt, M10 x1.25 x15, Blue White Zinc	2
32	16400-Z010110-0000	Governor Gear Assembly	1
33	90547-0205-00	Bearing	2
	S/N:<20DEC0900		
	S/N:<NP2102061050		
	90547-0205-00A0		
	S/N:21APR0001+		
	S/N:NP2104010001+		
34	37060-Z010120-0001	Engine oil Sensor, W/O Nut	1
35	90001-0614-01	Hexagon Flange Bolt, M6 x 14, Blue White Zinc	2
	S/N:<20DEC0900		
	S/N:<NP2102061050		
	90001-0614-01A0		
	S/N:21APR0001+		
	S/N:NP2104010001+		
36	90305-Z010210-0101	Hexagon Flange Nut, M10, Blue White Zinc	1
37	16061-Z010110-0000	Governor Arm	1

#	Part Number	Description	Qty.
38	90408-Z010210-0000	Washer, Ø6.2 x Ø15 x 0.6	1
	S/N:<20DEC0900		
	S/N:<NP2102061050		
	90408-Z010210-00A0		
	S/N:21APR0001+		
	S/N:NP2104010001+		
39	90501-Z010110-0001	Pin, Blue White Zinc	1
40	16070-Z010110-0001	Governor Support Subassembly, Blue White Zinc	1
41	90305-0600-3101	Hexagon Flange Nut, M6, Blue White Zinc	3
42	16072-Z010110-0001	Governor Support Bolt, M6 x 21, Blue White Zinc	1
43	16063-Z050710-0001	Spring, Governor	1
44	16062-Z010110-0001	Governor Rod, Blue White Zinc	1
45	16012-Z010310-0000	Throttle Valve Returning Spring	1
46	16520-Z012211-0003	Throttle Control Assembly, Blue White Zinc	1
	S/N:<20DEC0900		
	S/N:<NP2102061050		
	16520-Z012212-0003		
	S/N:21APR0001+		
	S/N:NP2104010001+		
47	16520-Z012211-0003	Hexagon Flange Bolt, M6 x 10, Blue White Zinc	5
	S/N:<20DEC0900		
	S/N:<NP2102061050		
	90001-0610-01A1		
	S/N:21APR0001+		
	S/N:NP2104010001+		
48	14200-Z530110-0099	Camshaft Assembly	1

#	Part Number	Description	Qty.
49	13300-Z533210-0000	Crankshaft Assembly	1
	S/N:<20DEC0900		
	S/N:<NP2102061050		
	13300-Z533210-00A0		
	S/N:21APR0001+		
	S/N:NP2104010001+		
50	11001-Z440110-00A0	Crankcase Gasket	1
51	90502-0912-00	Pin, 9 x 12	2
	S/N:<20DEC0900		
	S/N:<NP2102061050		
	90502-0912-00A0		
	S/N:21APR0001+		
52	15010-Z290110-L401	Oil Dipstick Subassembly	2
53	11411-Z440310-00A0	Crankcase Cover	1
54	90001-0832-0101	Hexagon Flange Bolt, M8 x 32, Blue White Zinc	6
55	13510-Z440410-0000	Flywheel Subassembly	1
56	19352-Z440110-0001	Impeller	1
57	28002-Z0L0110-0000	Starter Pulley, Blue White Zinc	1
58	13501-Z010110-0000	Flywheel Nut, M14 x 1.5, Blue White Zinc	1
	S/N:<20DEC0900		
	S/N:<NP2102061050		
	13501-Z010110-00A0		
	S/N:21APR0001+		
59	30400-Z441010-0001	Ignition Coil	1

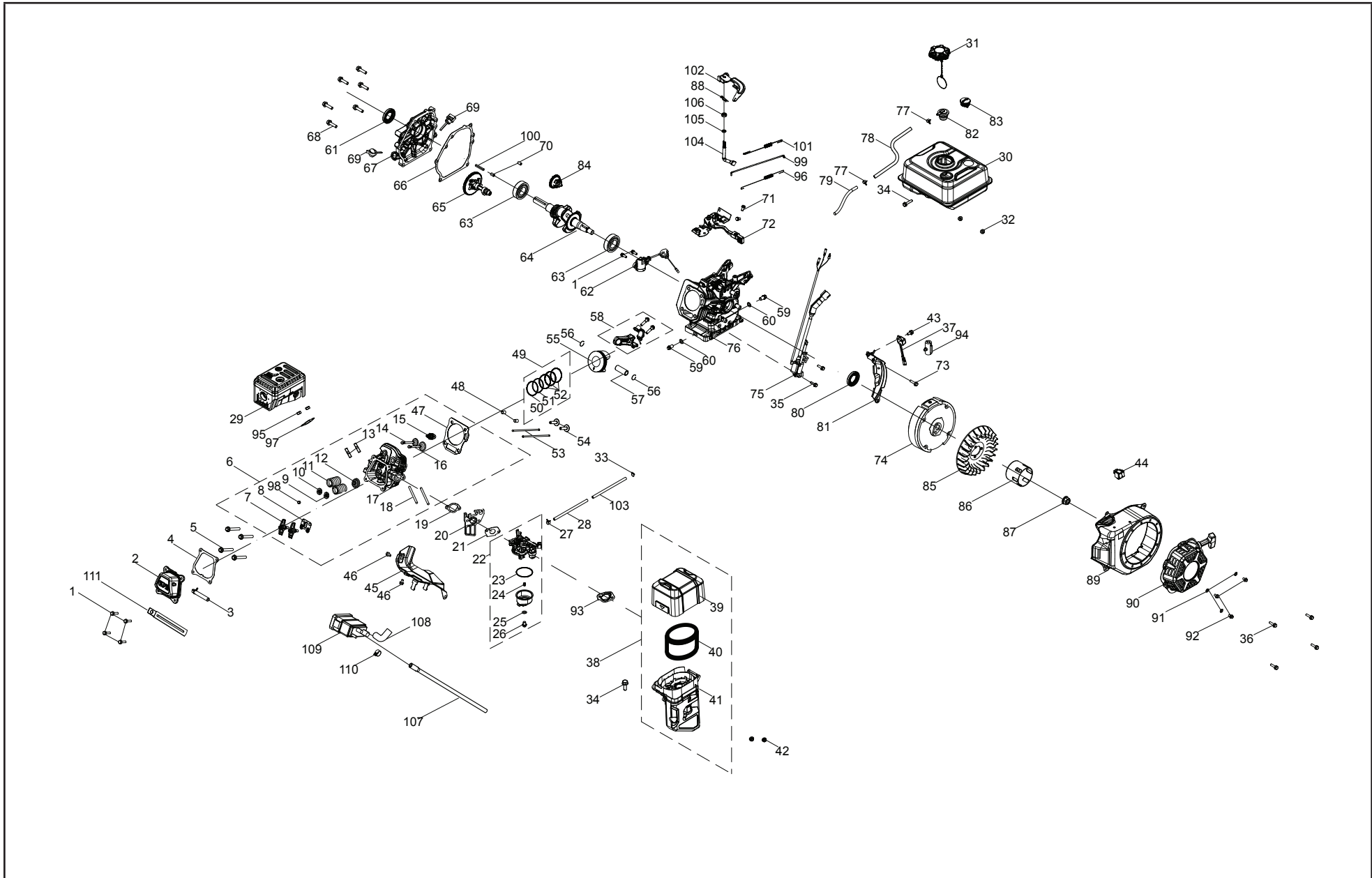
#	Part Number	Description	Qty.
60	90001-0625-01	Hexagon Flange Bolt, M6 x 25, Blue White Zinc	2
	S/N:<20DEC0900		
	S/N:<NP2102061050		
	90001-0625-01A0		
	S/N:21APR0001+		
	S/N:NP2104010001+		
61	19304-Z010610-0001	Cylinder Body Shroud, Blue White Zinc	1
62	90684-Z010510-0000	Clip	1
63	19340-Z011010-0000	Lower Shield, Blue White Zinc	1
	S/N:<20DEC0900		
	S/N:<NP2102061050		
	19340-Z011011-0000		
	S/N:21APR0001+		
64	90001-0616-01	Hexagon Flange Bolt, M6 x 16, Blue White Zinc	1
65	37050-Z010210-0001	Oil Protector, Blue White Zinc	1
66	28110-Z810310-L400	Shroud	1
67	35555-Z810110-0000	Switch Connector Grounding Wire	1
68	35541-Z010610-0000	Stop Engine Connecting Wire	1
69	35540-Z010610-R901	Stop Engine Switch Subassembly	1
70	28200-Z141010-H200	Recoil Starter Assembly	1
71	90251-0608-03	Washer	1
72	90203-Z010110-0000	Stud, M8 x 34, Black Zinc	2
73	18001-Z440110-00A0	Exhaust Gasket	1
74	18100-Z140412-0003	Muffler Assembly	1
75	90303-0800-3101	Hexagon Nut, M8, Blue White Zinc	2
76	90204-Z620110-00A0	Stud, M6 x 115, Black Zinc	2
77	16002-Z010110-0000	Carburetor Insulator Gasket	1
78	16100-Z142911-00M1	Carburetor Insulator Plate	1
79	16001-Z010110-0000	Carburetor Gasket	1

#	Part Number	Description	Qty.
80	16100-Z142910-00M1	Carburetor Assembly	1
	S/N:<20DEC0900		
	S/N:<NP2102061050		
	16100-Z142911-00M1		
	S/N:21APR0001+		
	S/N:NP2104010001+		
81	17001-Z010210-0000	Air Cleaner Gasket	1
82	17100-Z012210-00A1	Air Cleaner	1
83	17150-Z2M0110-0000	Air Cleaner Element	1
84	90305-0600-33	Hexagon Flange Nut, M6, Black Zinc	2
85	90007-0630-A1	Hexagon Flange Bolt, M6 x 30, Blue White Zinc	1
	S/N:<20DEC0900		
	S/N:<NP2102061050		
	90007-0630-A1A0		
	S/N:21APR0001+		
	S/N:NP2104010001+		

#	Part Number	Description	Qty.
86	16161-Z151710-0000	Main Jet, Standard	1
	S/N:<20DEC0900		
	S/N:<NP2102061050		
	16161-Z151710-00A2		
	S/N:21APR0001+		
	S/N:NP2104010001+		
	16161-Z151510-0000	Main Jet, Altitude 3000-6000 Feet	1
	S/N:<20DEC0900		
	S/N:<NP2102061050		
	16161-Z151510-00A4		
	S/N:21APR0001+		
	S/N:NP2104010001+	Main Jet, Altitude 6000-8000 Feet	1
	16161-Z151310-0000		
	S/N:<20DEC0900		
	S/N:<NP2102061050		
16161-Z151310-00A4			
S/N:21APR0001+	1		
S/N:NP2104010001+			
87	16112-Z010110-0000	Seal Ring, Float	1
88	90681-Z010610-0000	Seal Ring	1
89	16620-Z810310-H200	Fuel Tank	1
90	16680-Z010210-0000	Fuel Tank Oil Outlet Subassembly	1
91	90740-Z010510-00A1	Clamp	1
92	90686-Z010710-00M1	Fuel Pipe, Ø4.5 x Ø8.5 x 160	1
93	30431-Z010110-0003	Rubber Jacket, Ø9.5 x Ø11 x 90, Black	1
94	90521-Z010110-0000	Key	1
	S/N:<20DEC0900		
	S/N:<NP2102061050		
	90521-Z010110-00A0		
	S/N:21APR0001+		
S/N:NP2104010001+			
95	90722-Z2R0110-0000	End Plug	1

#	Part Number	Description	Qty.
96	16730-Z440810-LK01	Fuel Tank Cap	1
97	16652-Z010810-0001	Fuel Strainer	1
98	37200-Z810210-0001	Fuel Gauge	1
99	90685-Z030610-01A1	Clamp, Ø8 x 7 x 0.6	1
100	90001-0630-0101	Hexagon Flange Bolt, M6 x 30, Blue White Zinc	1
101	12110-Z810120-0099	Valve Set	1

ENGINE PARTS DIAGRAM 1TC7QG021



CARBURETOR PART LIST 1TC7QG021

#	Part Number	Description	Qty.
1	100011264-0003	Flange Bolt M6 x 16, GB5789	6
2	100002335	Cylinder Head Cover(Cpe)	1
3	100002832	Breather Tube	1
4	100079562	Gasket, Cylinder Head Cover	1
5	100002463-0001	Flange Bolt M8 x 65	4
6	100746583	Cylinder Head Assembly	1
7	100004420	Rocker Arm	2
8	100050881	Guide Plate, Push Rod	1
9	100004580	Valve Spring Seat, Intake	1
10	100004585	Valve Spring Seat, Exhaust	1
11	100004564	Spring Valve	2
12	100004600	Oil Seal, Intake Valve	1
13	100010387	Stud Bolt M8 x 34	2
14	100057969	Exhaust Valve	1
15	100009378	Spark Plug F6RTC	1
16	100004522	Intake Valve	1
17	100002378	Cylinder Head	1
18	100733507	Stud Bolt M6 x 117	2
19	100078607	Gasket, Insulator	1
20	100005599	Insulator, Carburetor	1
21	100078606	Gasket, Carburetor	1
22	100732679-0001	Carburetor Assembly	1
23	100005717	O-Ring, Fuel Bowl	1
24	100073724	Main Jet Standard (74)	1
	100092470	Main Jet Altitude 1000-3000m (72)	/
25	100006037	Gasket, Fuel Bowl Mounting Bolt	1
26	100005725	Mounting Bolt, Fuel Bowl	1
27	100005149	Clamp Ø7.5	1
28	100063788	Fuel Tube, Ø4 x Ø8 x 157	1
29	100735981	Muffler	1

#	Part Number	Description	Qty.
30	100730667-0002	Fuel Tank Assembly	1
31	100730969	Fuel Tank Cap	1
32	100011452-0003	Flange Nut M6	2
33	100005137	Clamp	1
34	100011269-0003	Flange Bolt M6 x 28	2
35	100011268-0003	Flange Bolt M6 x 25	2
36	100011262-0003	Flange Bolt M6 x 14	4
37	100010040	Oil Sensor	1
38	100732678	Air Cleaner Assembly	1
39	100734201	Air Cleaner Cover	1
40	100746758	Air Cleaner Element	1
41	100734203	Air Cleaner Base	1
42	100011463-0004	Flange Nut M6, GB6177.1	2
43	100011261-0004	Flange Bolt M6 x 12	1
44	100733063-0001	Switch	1
45	100071973	Air Guide, Lower	1
46	100011260-0005	Flange Bolt M6 x 10, GB5789	2
47	100732676	Gasket, Cylinder Head	1
48	100010558	Dowel Pin Ø10 x 16	2
49	100003245	Piston Ring Set	1
50	100003150	1st Piston Ring	1
51	100003191	2nd Piston Ring	1
52	100003283	Oil Ring	1
53	100077152	Push Rod	2
54	100004262	Lifter, Valve	2
55	100086253	Piston	1
56	100003221	Circlip, Wrist Pin	2
57	100003120	Wrist Pin	1
58	100003446	Connecting Rod Assembly	1
59	100010272	Drain Bolt, M10 x 1.25 x 15	2

#	Part Number	Description	Qty.
60	100010459	Washer Ø10 x 1.5 x Ø16	2
61	100017651	Oil Seal Ø25 x Ø41.25 x 6, Spiral Grain	1
62	100010011	Oil Level Sensor	1
63	100010680	Bearing, 6205	2
64	100023653	Crankshaft	1
65	100079561	Camshaft	1
66	100052829	Gasket, Crankcase Cover	1
67	100002975	Cover, Crankcase	1
68	100011319-0001	Flange Bolt M8 x 32	6
69	100004105-0006	Oil Dipstick Assembly	2
70	100010550	Dowel Pin Ø8 x 14	2
71	100011215-0001	Flange Bolt M6 x 12	2
72	100732677-0001	Control Assembly	1
73	100011266-0004	Flange Bolt M6 x 20	1
74	100009503	Flywheel	1
75	100733580	Ignition Module	1
76	100135103	Crankcase	1
77	100005148	Clamp Ø8	2
78	100732680	Fuel Hose 1	1
79	100748283	Sheath, Vent Tube	1
80	100017644	Oil Seal Ø25 x Ø41.25 x 6	1
81	100150079	Lower Guard	1
82	100008968	Reversal Valve	1
83	100730895	Fuel Gauge	1
84	100008296	Gear, Governor	1
85	100007028	Cooling Fan	1
86	100007550	Pulley, Starter	1
87	100011459-0003	Flange Nut M14 x 1.5	1
88	100007986	Cotter, Governor Shaft	1
89	100734204-0001	Fan Cover, Yellow 109 C	1
90	100156547-0001	Recoil Starter	1
91	100010894-0002	Washer Ø6	3

#	Part Number	Description	Qty.
92	100011528-0002	Flange Bolt M6 x 10	3
93	100005629	Gasket, Air Cleaner Base	1
94	100000657	Clip	1
95	100011422-0004	Flange Nut M8, GB6170	2
96	100053141	Spring, Throttle Return	1
97	100006526	Gasket, Muffler	1
98	100004588	Retainer, Valve	1
99	100007947	Rod, Governor	1
100	100010630	Key, 4.75 x 4.75 x 42	1
101	100735999	Spring, Governor	1
102	100039298	Arm, Governor	1
103	100009151	Fuel Hose Jacket 2	1
104	100007975	Governor Shaft	1
105	100010113	Sealing Ring, Ø5.2 x 1.9	1
106	100017630	Oil Seal Ø6 x Ø11 x 4	1
107	100732681	Fuel Hose, 215mm	1
108	100081431	Fuel Hose	1
109	100008951	Carbon Canister	1
110	100062810	Clamp Ø9.5 x 8	1
111	100000655	Wire Clip B	1