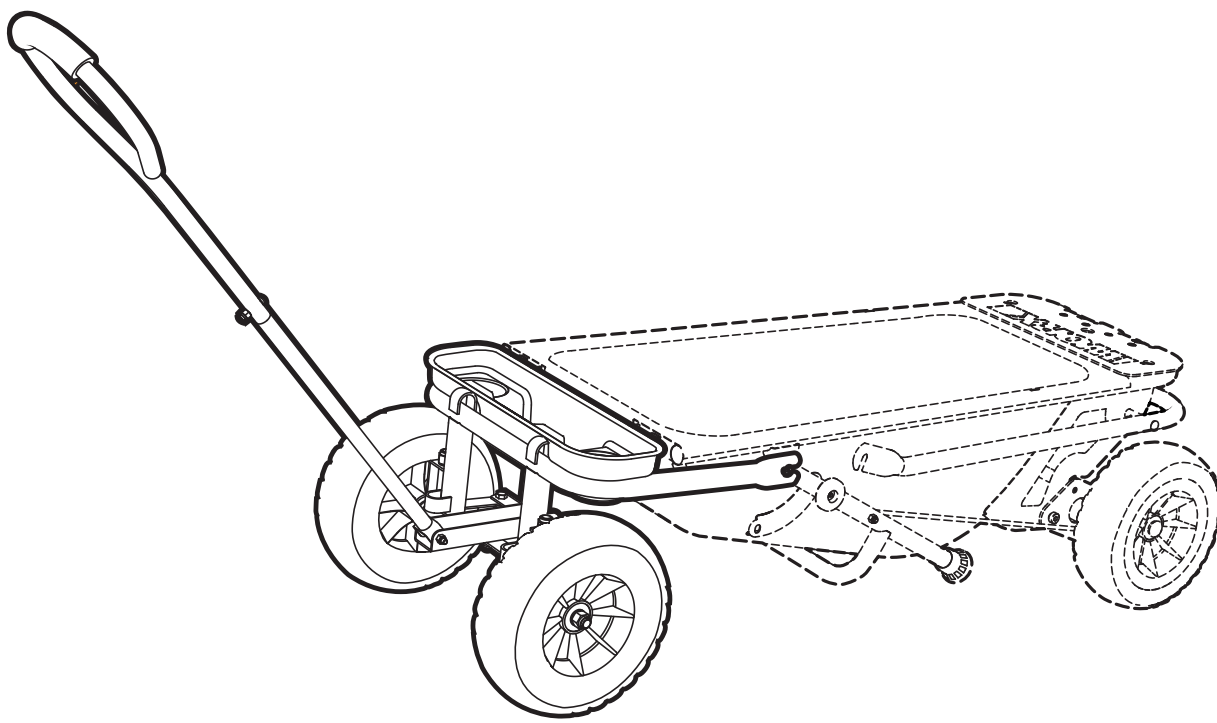
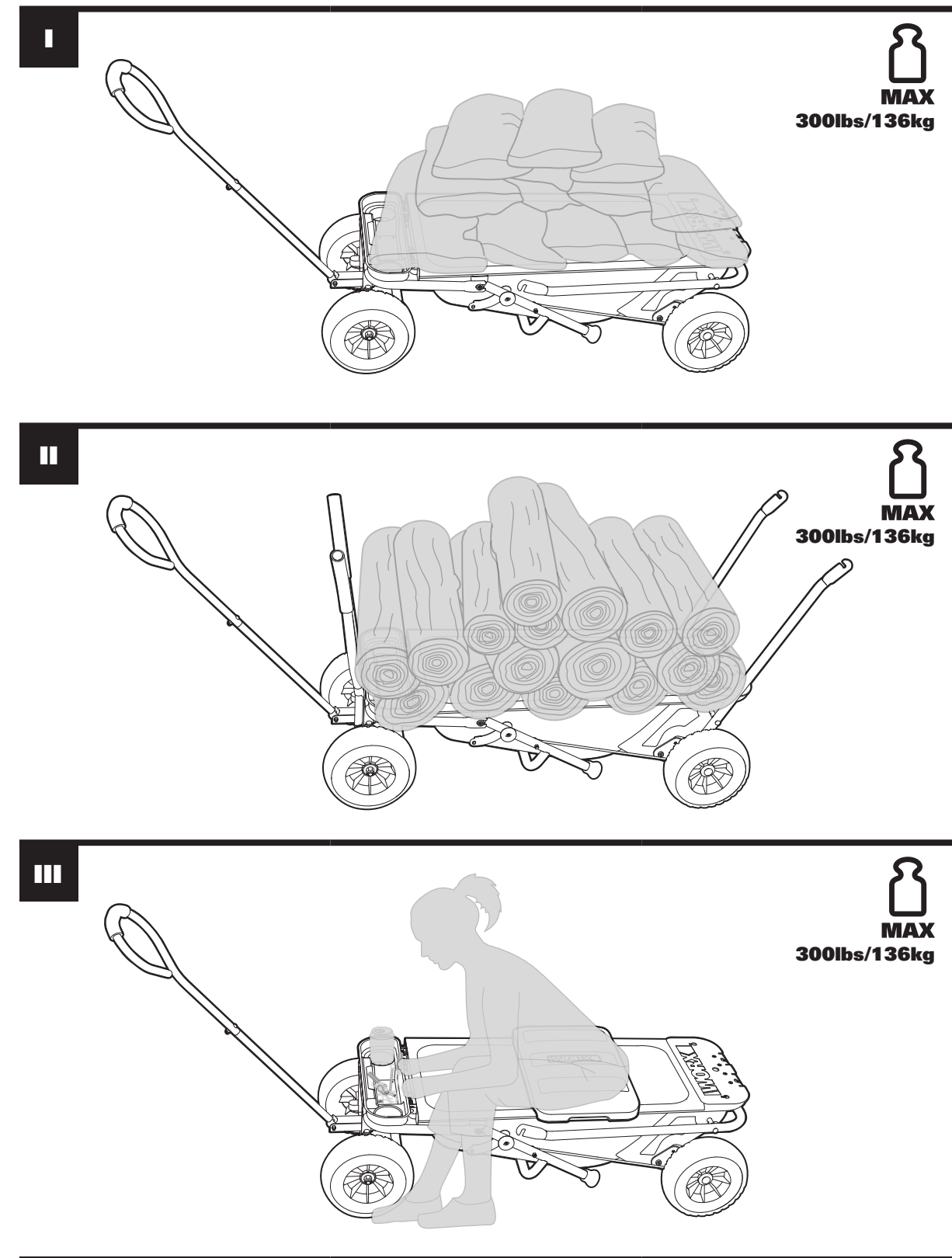
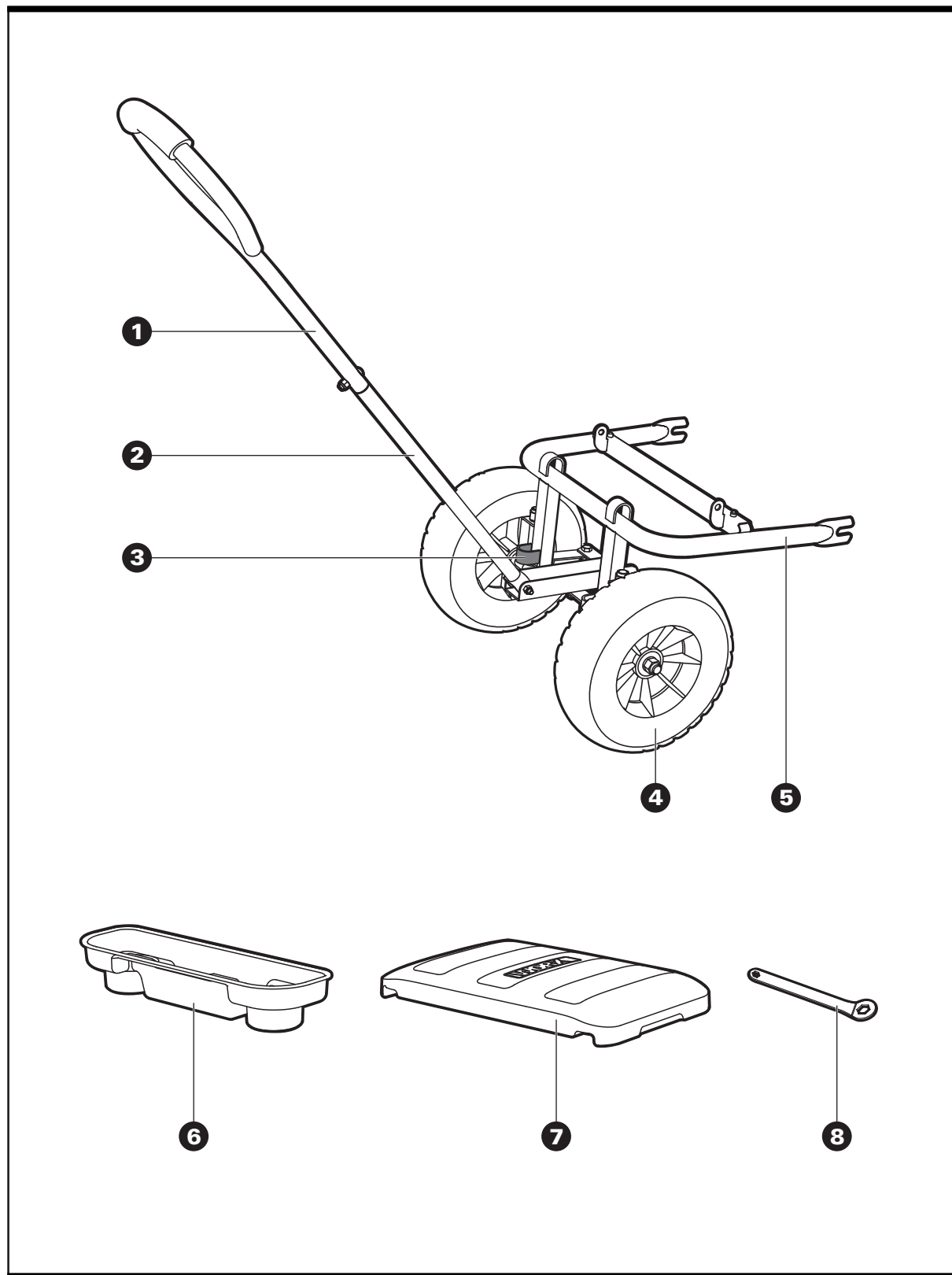


# WORX

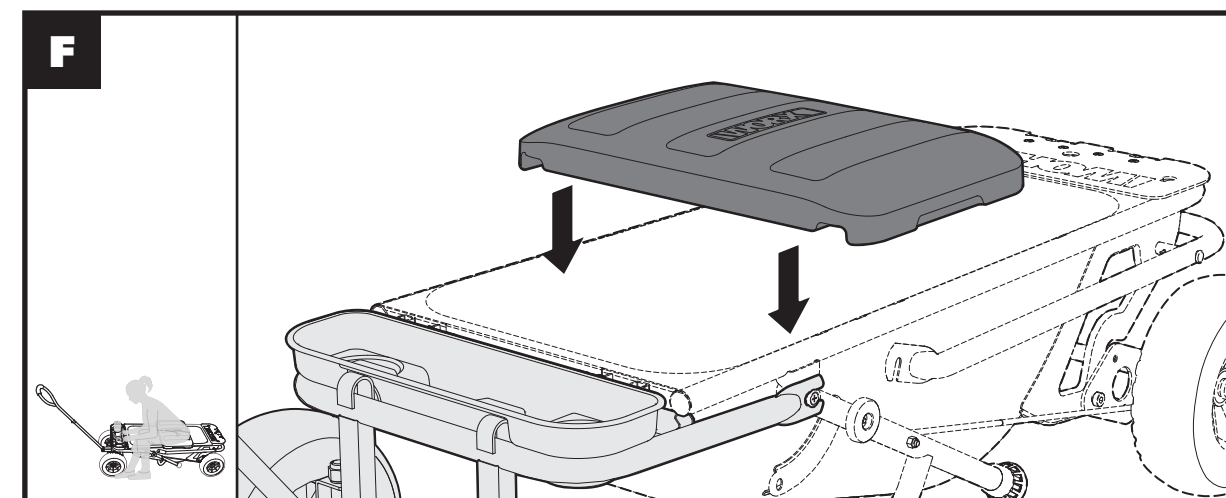
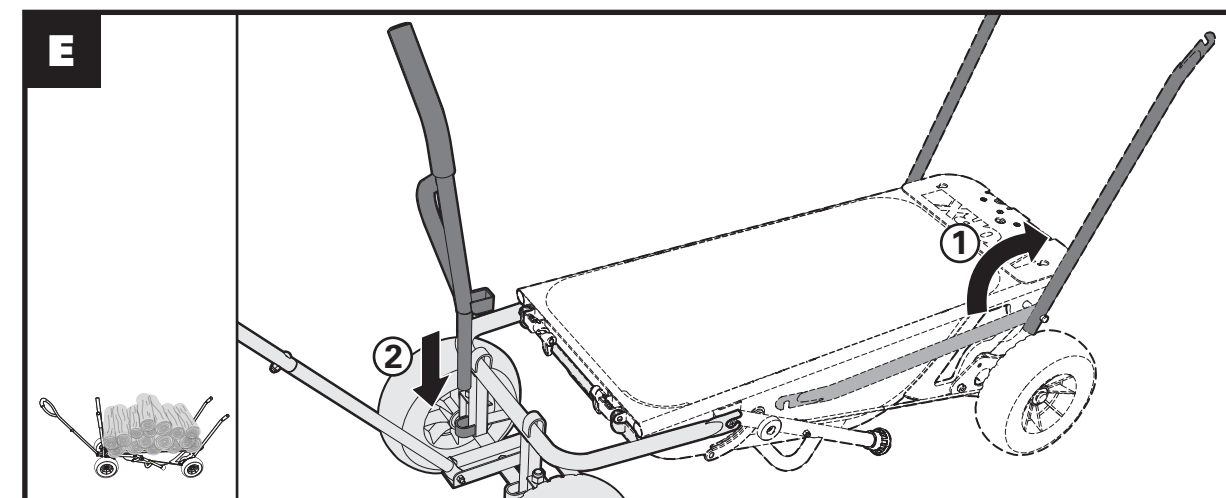
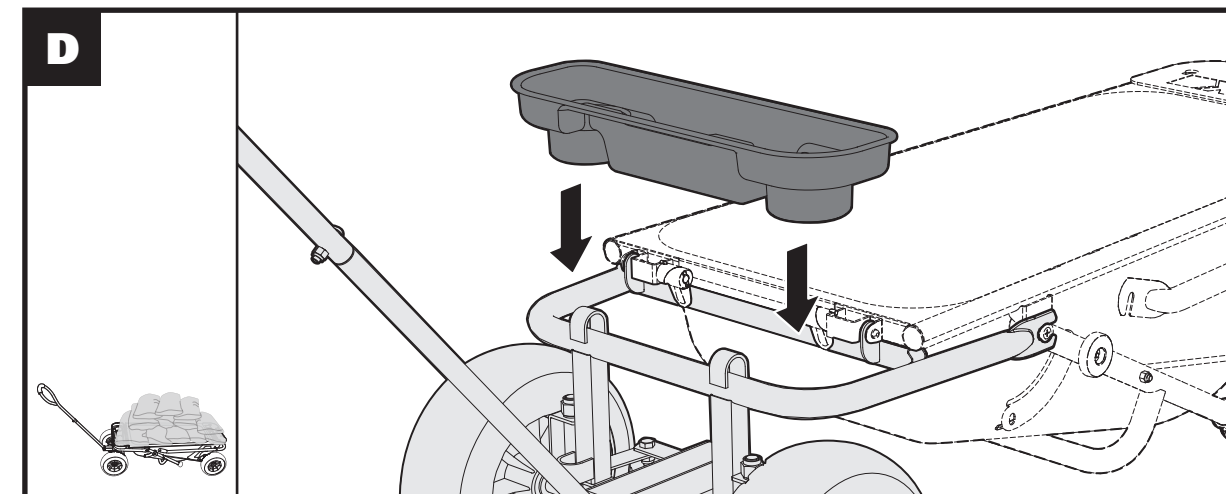
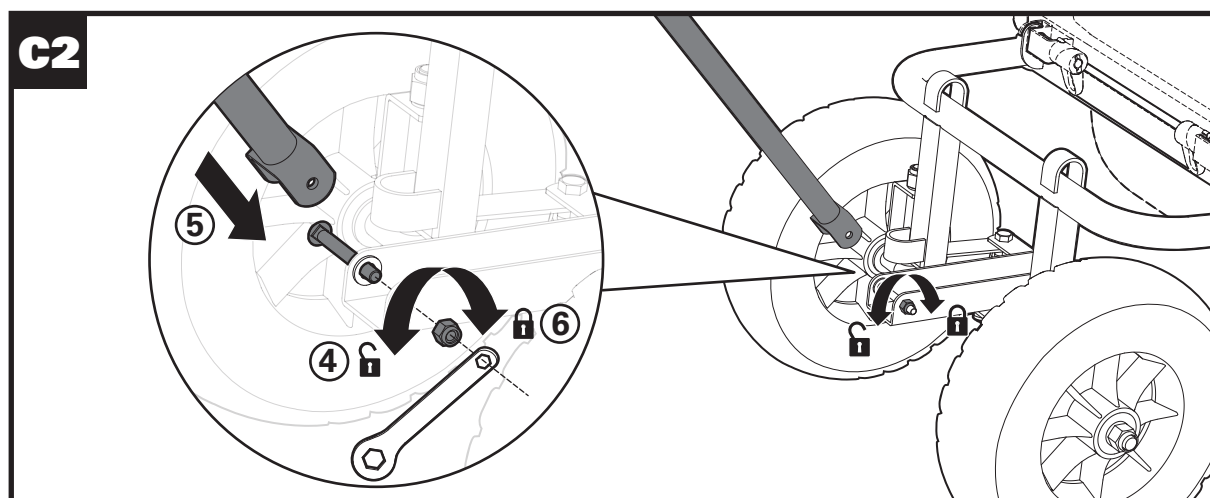
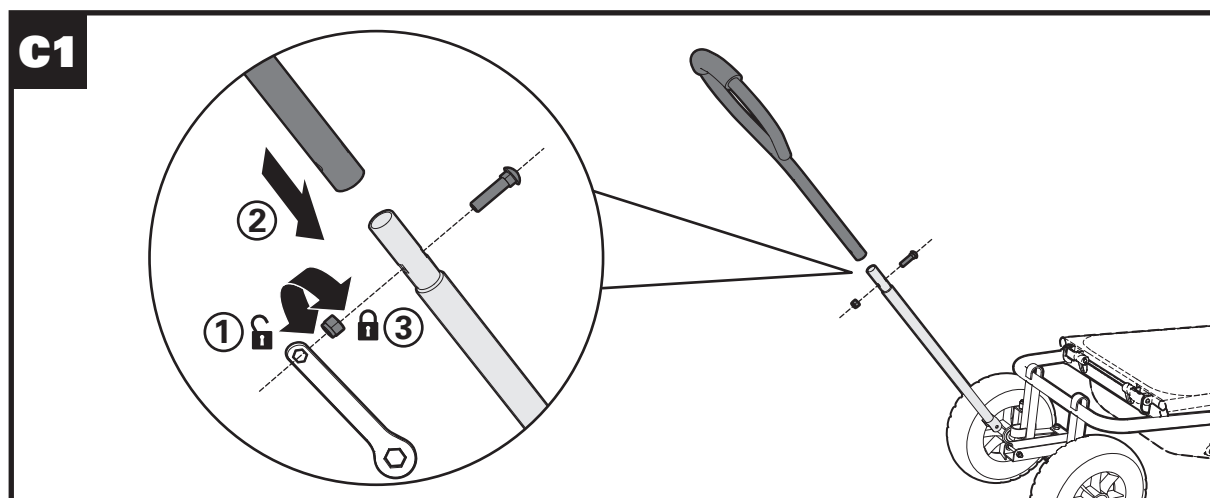
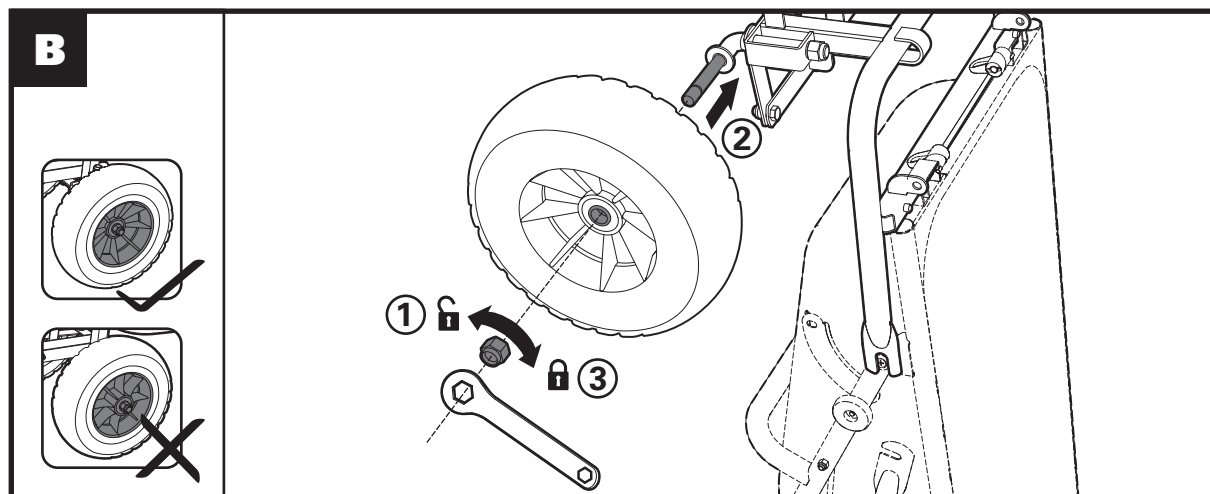
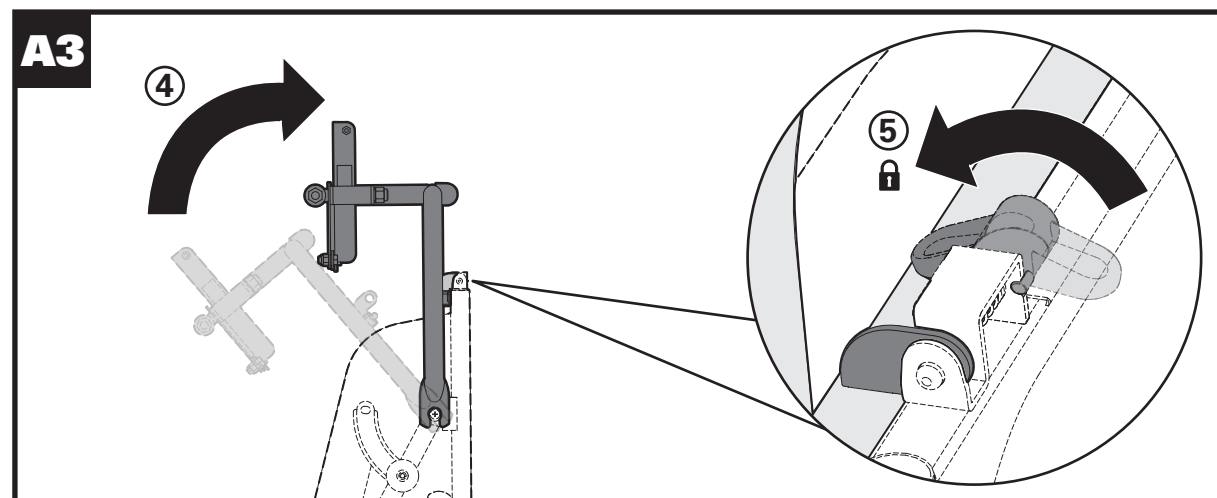
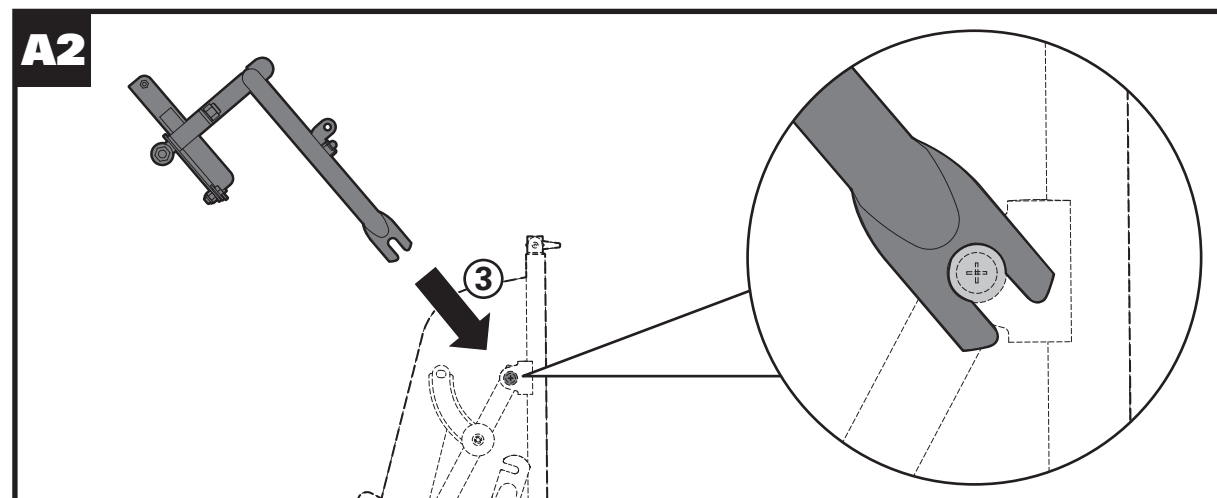
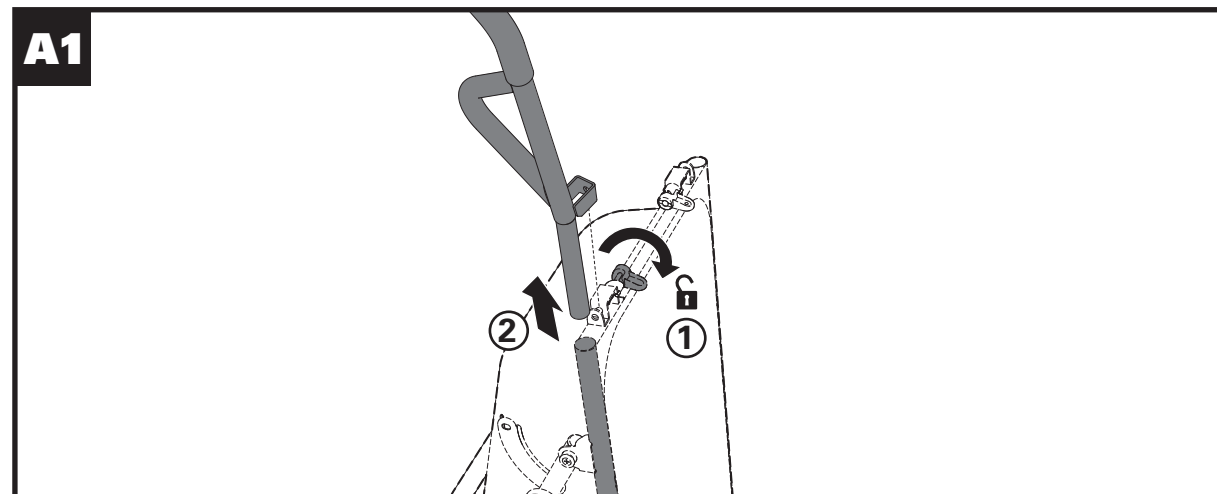


**AEROCART™**  
GENUINE ACCESSORIES



HELPLINE NUMBER  
1-866-354-WORX (9679)

**WA0228**



## GENERAL SAFETY WARNINGS

**⚠ WARNING: Read all safety warnings and all instructions.** Failure to follow the warnings and instructions may result in serious injury.

Save all warnings and instructions for future reference.

**⚠ WARNING: This product may contain lead, phtalate or other chemicals known to the State of California to cause cancer, birth defects and other reproductive harm. Please wash your hands after use.**

- Operators should be aware of and minimize the following hazards:
  - Running the cart’s wheels off of bridge/dock plates, dock platforms, uneven surfaces, or inclines;
  - Colliding with other carts or obstructions. Secure the load and close containers to prevent losing control of the load while moving;
  - Jamming of the operator’s hands between the cart and other objects;
  - Running the cart’s wheels over the operator’s feet;
- Carts used for transporting chemicals should have rails to prevent chemicals from falling off the cart.
- Inspect carts routinely and do not use them if they are not in good repair.
- Maintain adequate visibility. Do not stack materials beyond a safe height or in a manner that obstructs vision. Pay attention to the path of travel and do not move too fast.
- Do not exceed the manufacturer’s recommended load limits. Be aware of lifting/bending and other ergonomic hazards when using carts. Avoid heavy loads that require excessive force to move, do not twist while moving a cart, and be alert to terrain hazards that can cause the cart to shift or stop abruptly (e.g., cracks, dips, uneven surfaces, etc.).
- Ensure that the load is not wider than the cart, especially when traveling in narrow halls and doorways. Do not forget the stationary mullion in double doorways.
- Do not try to navigate carts on stairs or steep inclines.
- When not in use, carts should be parked in a designated area, not in aisles or other places where they cause trip hazards, block traffic, breaker boxes, and fire extinguishers and pull stations, eyewash stations, or other safety equipment.
- Carts with drawbar handles should be parked with handles up and out of the way. Two wheeled carts should be stored upright with handles leaning against a wall.

10)Do not sit or stand on the hand cart.

#### Four-wheeled Hand Cart Safety Warnings

- Place loads evenly to prevent tipping.

<b>1. HANDLE</b>
<b>2. HANDLE SHAFT</b>
<b>3. HAY WAGON CLIP</b>
<b>4. WHEEL</b>
<b>5. WAGON AXLE BODY</b>
<b>6. TRAY</b>
<b>7. SEAT</b>
<b>8. WRENCH</b>


Figure 1

### MAX LOADING

Wagon Cart	300lbs (136kg)	See Fig. I
Hay Wagon	300lbs (136kg)	See Fig. II
Garden Seat	300lbs (136kg)	See Fig. III

Figure 2

### SYMBOLS

 Incorrect

 Correct

Figure 3

 Lock

Figure 4

 Unlock

 Use wrench

Figure 5

### ASSEMBLY & OPERATION

Action	Figure
Attaching the Wagon Axle Body to the Aerocart™	See Fig. A1, A2, A3
Attaching Wheels	See Fig. B
Attaching Handle	See Fig. C1,C2
Wagon Cart	See Fig. D
Hay Wagon	See Fig. E
Garden Seat	See Fig. F

Figure 6

Figure 7

Figure 8

Figure 9

Figure 10

Figure 11

Figure 12

Figure 13

Figure 14

Figure 15

Figure 16

Figure 17

Figure 18

Figure 19

Figure 20

Figure 21

Figure 22

Figure 23

Figure 24

Figure 25

Figure 26

Figure 27

Figure 28

Figure 29

Figure 30

Figure 31

Figure 32

Figure 33

Figure 34

Figure 35

Figure 36

Figure 37

Figure 38

Figure 39

Figure 40

Figure 41

Figure 42

Figure 43

Figure 44

Figure 45

Figure 46

Figure 47

Figure 48

Figure 49

Figure 50

Figure 51

Figure 52

Figure 53

Figure 54

Figure 55

Figure 56

Figure 57

Figure 58

Figure 59

Figure 60

Figure 61

Figure 62

Figure 63

Figure 64

Figure 65

Figure 66

Figure 67

Figure 68

Figure 69

Figure 70

Figure 71

Figure 72

Figure 73

Figure 74

Figure 75

Figure 76

Figure 77

## ASSEMBLY

**Attaching the Wagon Axle Body to the Aerocart™ (See Fig. A1, A2, A3)**

- Position the Aerocart™ into dolly mode (standing upright, with legs folded down)
- Rotate the Handle Locking Levers on the Aerocart™ to unlock.
- Remove the Handles from the Aerocart™.
- Hold the Wagon Axle Body and approach the Cart horizontally. Engage the slots on the end of the tubes with the knobs on both sides of the Aerocart™.
- Rotate the Wagon Axle Body upwards until vertical. Make sure the locking pin holes have aligned with the handle locking pins.
- Rotate the Handle Locking Levers to secure the Wagon Axle Body in place.

#### Attaching Wheels (See Fig. B)

- Remove the nut from the axle shaft using the wrench provided.
- Align the wheel so that the concave rim faces outward.
- Slide the wheel onto the shaft of the Wagon Axle Body and secure in place using the supplied nut and wrench.
- Repeat on other side of Wagon Axle Body.

#### Attaching Handle (See Fig. C1,C2)

- Align the holes on the Wagon Handle and the Wagon Handle Shaft and slide them into each other.
- Secure in place using the supplied nut, bolt, and washer.
- Attach the Wagon Handle to the tongue of the Wagon Axel Body by aligning the holes and then securing in place using the supplied nut and bolt.

### OPERATION

The Aerocart™ can be transformed into a wagon with four wheels.

#### Wagon Cart (See Fig. D)

- Place the Tray in the Wagon Axle Body, and make sure it is fully secured.

#### Hay Wagon (See Fig. E)

The Hay Wagon mode may be used for carrying large or more objects.

- Lift the Extension Arms.
- Insert the Handles of the Aerocart™ into the Hay Wagon Clips.

#### Garden Seat (See Fig. F)

- Make sure the Aerocart™ is on stable ground.
  - Place the Seat on the Aerocart™ so that the grooves are on the rim of the Aerocart™’s body.
  - Confirm the Seat is stable before sitting on it.
- NOTE:** The Seat supplied with the Wagon Cart is different from the Seat supplied with the Aerocart™ model WG050.1.

Figure 1

Figure 2

Figure 3

Figure 4

Figure 5

Figure 6

Figure 7

Figure 8

Figure 9

Figure 10

Figure 11

Figure 12

Figure 13

Figure 14

Figure 15

Figure 16

Figure 17

Figure 18

Figure 19

Figure 20

Figure 21

Figure 22

Figure 23

Figure 24

Figure 25

Figure 26

Figure 27

Figure 28

Figure 29

Figure 30

Figure 31

Figure 32

Figure 33

Figure 34

Figure 35

Figure 36

Figure 37

Figure 38

Figure 39

Figure 40

Figure 41

Figure 42

Figure 43

Figure 44

Figure 45

Figure 46

Figure 47

Figure 48

Figure 49

Figure 50

Figure 51

Figure 52

Figure 53

Figure 54

Figure 55

Figure 56

Figure 57

Figure 58

Figure 59

Figure 60

Figure 61

Figure 62

Figure 63

Figure 64

Figure 65

Figure 66

Figure 67

Figure 68

Figure 69

Figure 70

## AVERTISSEMENTS GENERAUX CONCERNANT LA SECURITE

**⚠ AVERTISSEMENT! Lisez et assimilez toutes les instructions.** Le non-respect des instructions ci-après peut entraîner un risque de choc électrique, d’incendie et/ou de blessures graves. Conservez tous les avertissements et instructions pour pouvoir les consulter ultérieurement.

**⚠ AVERTISSEMENT: Ce produit peut contenir du plomb, des phtalates ou d’autres agents chimiques connus dans l’État de Californie pour causer le cancer, des malformations congénitales et d’autres problèmes liés à la reproduction. Lavez vos mains après chaque utilisation.**

Figure 1

Figure 2

Figure 3

Figure 4

Figure 5

Figure 6

Figure 7

Figure 8

Figure 9

Figure 10

Figure 11

Figure 12

Figure 13

Figure 14

Figure 15

Figure 16

Figure 17

Figure 18

Figure 19

Figure 20

Figure 21

Figure 22

Figure 23

Figure 24

Figure 25

Figure 26

Figure 27

Figure 28

Figure 29

Figure 30

Figure 31

Figure 32

Figure 33

Figure 34

Figure 35

Figure 36

Figure 37

Figure 38

Figure 39

Figure 40

Figure 41

Figure 42

Figure 43

Figure 44

Figure 45

Figure 46

Figure 47

Figure 48

Figure 49

Figure 50

Figure 51

Figure 52

Figure 53

Figure 54

Figure 55

Figure 56

Figure 57

Figure 58

Figure 59

Figure 60

Figure 61

Figure 62

Figure 63

Figure 64

Figure 65

Figure 66

Figure 67

Figure 68

Figure 69

Figure 70

Figure 71

Figure 72

Figure 73

Figure 74

Figure 75

Figure 76

Figure 77

Figure 78

Figure 79

Figure 80

Figure 81

Figure 82

Figure 83

Figure 84

Figure 85

Figure 86

Figure 87

Figure 88

Figure 89

Figure 90

Figure 91

Figure 92

Figure 93

Figure 94

Figure 95

Figure 96

Figure 97

Figure 98

Figure 99

Figure 100

# Wagon Kit

Figure 1

Figure 2

Figure 3

Figure 4

Figure 5