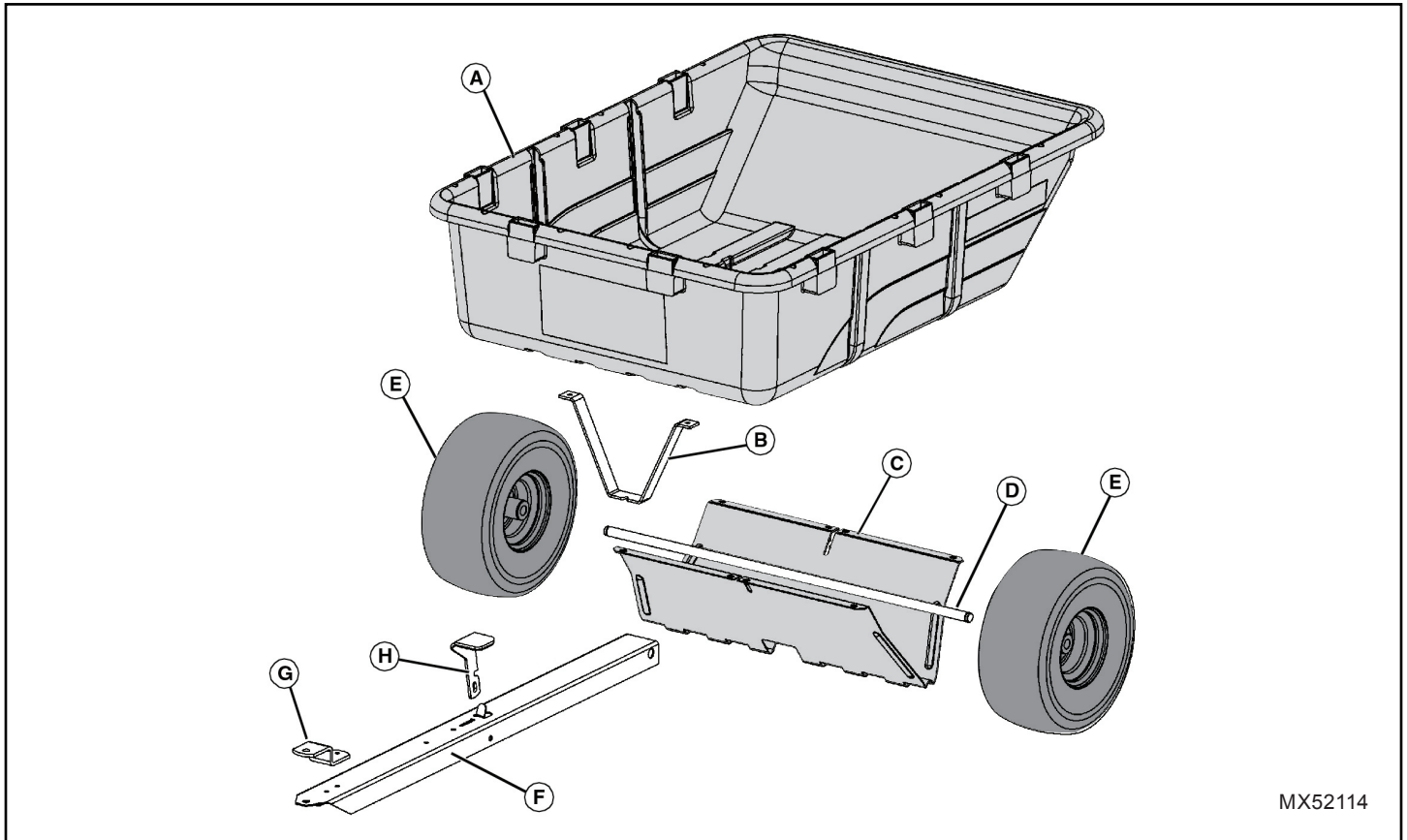


Assembly

Parts in Kit (Main)



MX52114

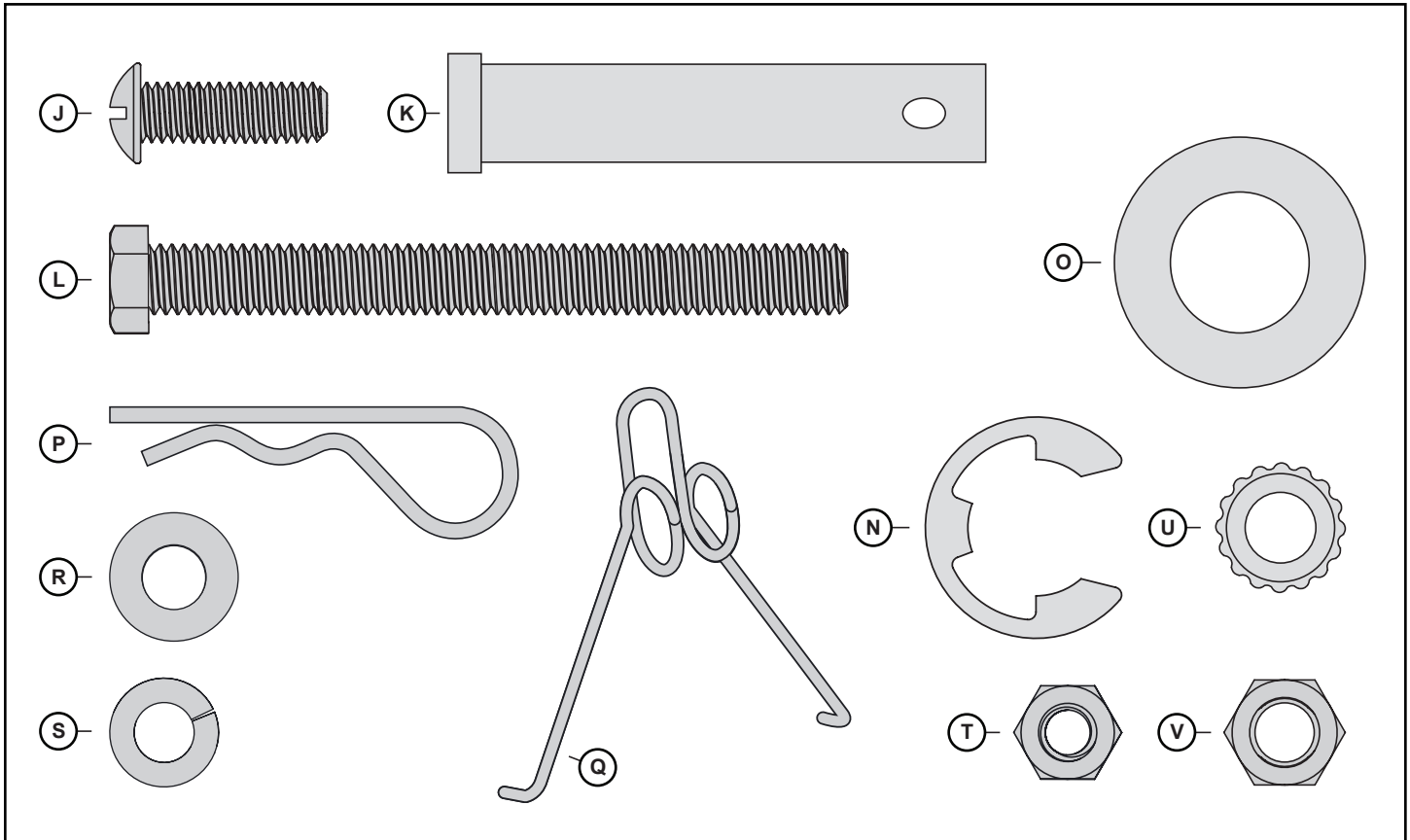
Description	Qty.
A. Cart	1
B. Lock Bracket	1
C. Axle Support	1
D. Axle	1
E. Wheel	2
F. Drawbar	1
G. Clevis	1
H. Foot Pedal	1

WHILE ASSEMBLING YOUR CART, DO THE FOLLOWING:

- Do not discard cardboard bed divider, it can be used as a template for making dividers for the cart.
- Place pieces of carton under cart box to help avoid scratching finish.
- Put all bolt heads to the inside of the cart box.

Assembly

Bag of Parts (Hardware)



Description

Qty.

J.	Slotted Head Screw, 5/16 x 1 in.	12
K.	Clevis Pin, 1/2 x 2-1/2 in.	1
L.	Bolt, 3/8 x 3-3/4 in.	1
N.	Retaining Ring, 3/4 in.	2
O.	Bushing, 3/4 in.	4
P.	Spring Locking Pin, 1/8 in.	1
Q.	Spring, Latch	1
R.	Washer, Flat, 5/16 in.	10
S.	Lockwasher, 5/16 in.	12
T.	Nut, 5/16 in.	12

Description

Qty.

U.	Nut, w/Star Washer, 3/8 in.	2
V.	Locknut, 3/8 in.	1

Tools Required for Assembly

- 1/2 in. Wrench (2)
- 9/16 in. wrench (2)
- Pliers
- Flat blade screwdriver