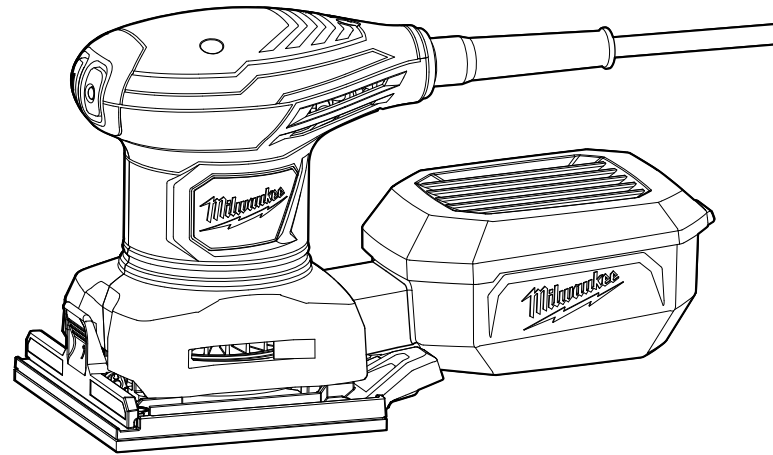




OPERATOR'S MANUAL  
MANUEL de L'UTILISATEUR  
MANUAL del OPERADOR

Cat. No.  
No de Cat.  
6033-21



**1/4 SHEET SANDER**  
**PONCEUSE 1/4 DE FEUILLE**  
**LIJADORA DE 1/4 DE HOJA**

*TO REDUCE THE RISK OF INJURY, USER MUST READ AND UNDERSTAND OPERATOR'S MANUAL.*

*AFIN DE RÉDUIRE LE RISQUE DE BLESSURES, L'UTILISATEUR DOIT LIRE ET BIEN COMPRENDRE LE MANUEL DE L'UTILISATEUR.*

*PARA REDUCIR EL RIESGO DE LESIONES, EL USUARIO DEBE LEER Y ENTENDER EL MANUAL DEL OPERADOR.*

## GENERAL POWER TOOL SAFETY WARNINGS

**WARNING** Read all safety warnings, instructions, illustrations and specifications provided with this power tool. Failure to follow all instructions listed below may result in electric shock, fire and/or serious injury. Save all warnings and instructions for future reference. The term "power tool" in the warnings refers to your mains-operated (corded) power tool or battery-operated (cordless) power tool.

### WORK AREA SAFETY

- Keep work area clean and well lit. Cluttered or dark areas invite accidents.
- Do not operate power tools in explosive atmospheres, such as in the presence of flammable liquids, gases or dust. Power tools create sparks which may ignite the dust or fumes.
- Keep children and bystanders away while operating a power tool. Distractions can cause you to lose control.

### ELECTRICAL SAFETY

- Power tool plugs must match the outlet. Never modify the plug in any way. Do not use any adapter plugs with earthed (grounded) power tools. Unmodified plugs and matching outlets will reduce risk of electric shock.
- Avoid body contact with earthed or grounded surfaces, such as pipes, radiators, ranges and refrigerators. There is an increased risk of electric shock if your body is earthed or grounded.
- Do not expose power tools to rain or wet conditions. Water entering a power tool will increase the risk of electric shock.
- Do not abuse the cord. Never use the cord for carrying, pulling or unplugging the power tool. Keep cord away from heat, oil, sharp edges or moving parts. Damaged or entangled cords increase the risk of electric shock.
- When operating a power tool outdoors, use an extension cord suitable for outdoor use. Use of a cord suitable for outdoor use reduces the risk of electric shock.
- If operating a power tool in a damp location is unavoidable, use a ground fault circuit interrupter (GFCI) protected supply. Use of an GFCI reduces the risk of electric shock.

### PERSONAL SAFETY

- Stay alert, watch what you are doing and use common sense when operating a power tool. Do not use a power tool while you are tired or under the influence of drugs, alcohol or medication. A moment of inattention while operating power tools may result in serious personal injury.
- Use personal protective equipment. Always wear eye protection. Protective equipment such as a dust mask, non-skid safety shoes, hard hat or hearing protection used for appropriate conditions will reduce personal injuries.
- Prevent unintentional starting. Ensure the switch is in the off-position before connecting to power source and/or battery pack, picking up or carrying the tool. Carrying power tools with your finger on the switch or energizing power tools that have the switch on invites accidents.
- Remove any adjusting key or wrench before turning the power tool on. A wrench or a key left attached to a rotating part of the power tool may result in personal injury.

- Do not overreach. Keep proper footing and balance at all times. This enables better control of the power tool in unexpected situations.
- Dress properly. Do not wear loose clothing or jewelry. Keep your hair and clothing away from moving parts. Loose clothes, jewelry or long hair can be caught in moving parts.
- If devices are provided for the connection of dust extraction and collection facilities, ensure these are connected and properly used. Use of dust collection can reduce dust-related hazards.
- Do not let familiarity gained from frequent use of tools allow you to become complacent and ignore tool safety principles. A careless action can cause severe injury within a fraction of a second.

### POWER TOOL USE AND CARE

- Do not force the power tool. Use the correct power tool for your application. The correct power tool will do the job better and safer at the rate for which it was designed.
- Do not use the power tool if the switch does not turn it on and off. Any power tool that cannot be controlled with the switch is dangerous and must be repaired.
- Disconnect the plug from the power source and/or remove the battery pack, if detachable, from the power tool before making any adjustments, changing accessories, or storing power tools. Such preventive safety measures reduce the risk of starting the power tool accidentally.
- Store idle power tools out of the reach of children and do not allow persons unfamiliar with the power tool or these instructions to operate the power tool. Power tools are dangerous in the hands of untrained users.
- Maintain power tools and accessories. Check for misalignment or binding of moving parts, breakage of parts and any other condition that may affect the power tool's operation. If damaged, have the power tool repaired before use. Many accidents are caused by poorly maintained power tools.
- Keep cutting tools sharp and clean. Properly maintained cutting tools with sharp cutting edges are less likely to bind and are easier to control.
- Use the power tool, accessories and tool bits etc. in accordance with these instructions, taking into account the working conditions and the work to be performed. Use of the power tool for operations different from those intended could result in a hazardous situation.
- Keep handles and grasping surfaces dry, clean and free from oil and grease. Slippery handles and grasping surfaces do not allow for safe handling and control of the tool in unexpected situations.

### SERVICE

- Have your power tool serviced by a qualified repair person using only identical replacement

parts. This will ensure that the safety of the power tool is maintained.

- Never service damaged battery packs. Service of battery packs should only be performed by the manufacturer or authorized service providers.

### SPECIFIC SAFETY RULES FOR PALM SANDERS

- Maintain labels and nameplates. These carry important information. If unreadable or missing, contact a MILWAUKEE service facility for a free replacement.
- WARNING Some dust created by power sanding, sawing, grinding, drilling, and other construction activities contains chemicals known to cause cancer, birth defects or other reproductive harm. Some examples of these chemicals are:
  - lead from lead-based paint
  - crystalline silica from bricks and cement and other masonry products, and
  - arsenic and chromium from chemically-treated lumber.

Your risk from these exposures varies, depending on how often you do this type of work. To reduce your exposure to these chemicals: work in a well ventilated area, and work with approved safety equipment, such as those dust masks that are specially designed to filter out microscopic particles.

### GROUNDING

**WARNING** Improperly connecting the grounding wire can result in the risk of electric shock. Check with a qualified electrician if you are in doubt as to whether the outlet is properly grounded. Do not modify the plug provided with the tool. Never remove the grounding prong from the plug. Do not use the tool if the cord or plug is damaged. If damaged, have it repaired by a MILWAUKEE service facility before use. If the plug will not fit the outlet, have a proper outlet installed by a qualified electrician.

**Grounded Tools: Tools with Three Prong Plugs**  
Tools marked "Grounding Required" have a three wire cord and three prong grounding plug. The plug must be connected to a properly grounded outlet (See Figure A). If the tool should electrically malfunction or break down, grounding provides a low resistance path to carry electricity away from the user, reducing the risk of electric shock. The grounding prong in the plug is connected through the green wire inside the cord to the grounding system in the tool. The green wire in the cord must be the only wire connected to the tool's grounding system and must never be attached to an electrically "live" terminal.

Your tool must be plugged into an appropriate outlet, properly installed and grounded in accordance with all codes and ordinances. The plug and outlet should look like

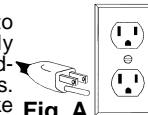


Fig. A

**Double Insulated Tools: Tools with Two Prong Plugs**

Tools marked "Double Insulated" do not require grounding. They have a special double insulation system which satisfies OSHA requirements and complies with the applicable standards of Underwriters Laboratories, Inc., the Canadian Standard Association and the National Electrical Code. Double Insulated tools may be used in either of the 120 volt outlets shown in Figures B and C.

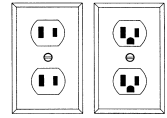


Fig. B Fig. C

### EXTENSION CORDS

Grounded tools require a three wire extension cord. Double insulated tools can use either a two or three wire extension cord. As the distance from the supply outlet increases, you must use a heavier gauge extension cord. Using extension cords with inadequately sized wire causes a serious drop in voltage, resulting in loss of power and possible tool damage. Refer to the table shown to determine the required minimum wire size.

The smaller the gauge number of the wire, the greater the capacity of the cord. For example, a 14 gauge cord can carry a higher current than a 16 gauge cord. When using more than one extension cord to make up the total length, be sure each cord contains at least the minimum wire size required. If you are using one extension cord for more than one tool, add the nameplate amperes and use the sum to determine the required minimum wire size.

#### Guidelines for Using Extension Cords

- If you are using an extension cord outdoors, be sure it is marked with the suffix "W-A" ("W" in Canada) to indicate that it is acceptable for outdoor use.
- Be sure your extension cord is properly wired and in good electrical condition. Always replace a damaged extension cord or have it repaired by a qualified person before using it.
- Protect your extension cords from sharp objects, excessive heat and damp or wet areas.

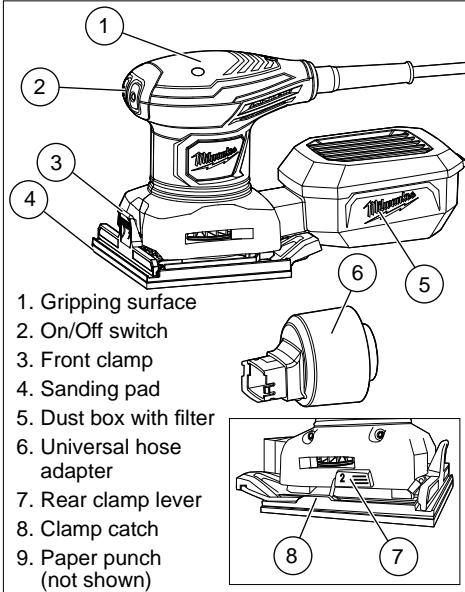
#### Recommended Minimum Wire Gauge For Extension Cords\*

Nameplate Amps	Extension Cord Length				
	25'	50'	75'	100'	150'
0 - 2.0	18	18	18	18	16
2.1 - 3.4	18	18	18	16	14
3.5 - 5.0	18	18	16	14	12
5.1 - 7.0	18	16	14	12	12
7.1 - 12.0	16	14	12	10	--
12.1 - 16.0	14	12	10	--	--
16.1 - 20.0	12	10	--	--	--

\* Based on limiting the line voltage drop to five volts at 150% of the rated amperes.

**READ AND SAVE ALL INSTRUCTIONS FOR FUTURE USE.**

## FUNCTIONAL DESCRIPTION



1. Gripping surface
2. On/Off switch
3. Front clamp
4. Sanding pad
5. Dust box with filter
6. Universal hose adapter
7. Rear clamp lever
8. Clamp catch
9. Paper punch (not shown)

## SPECIFICATIONS

Cat. No.	Volts AC	Amps	Orbits Per Min.	Paper Size
6033-21	120	3	14,000	1/4 sheet

## SYMBOLOLOGY

	Double Insulated
	Volts
	Alternating Current
	Amps
<b>OPM</b>	Orbits Per Minute (OPM)
	Underwriters Laboratories, Inc. United States and Canada

## ASSEMBLY

**WARNING** To reduce the risk of injury, always unplug tool before changing or removing accessories. Only use accessories specifically recommended for this tool. Others may be hazardous.

### Selecting Sandpaper and Grits

Sandpaper can be made from various grit materials and these should be selected according to the material to be sanded. The guidelines below list materials and grit materials that should be used with them.

- **Fine woodwork** – garnet or aluminum oxide
- **Rough woodwork** – aluminum zirconia or ceramic aluminum oxide
- **Manufactured wood products** (particleboard, medium density fiber board etc.) – silicon carbide or aluminum oxide
- **Solid surfacing materials** (Corian, etc.) – silicon carbide or aluminum oxide
- **Metals** – emery or aluminum oxide

Sandpaper is also graded by coarseness. Start your work with an abrasive grit just coarse enough to remove high spots and excessive roughness. Follow with a second sanding using a grit one or two grades finer. Continue with successively finer grits until you obtain the desired finish.

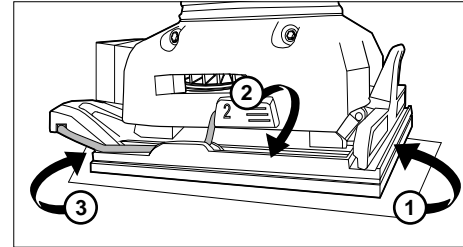
Grit	Type	Typical Application
60 80	Course	Ideal for initial sanding on rougher surfaces. For fast stock removal. Rough sanding and stripping of painted and rusted surfaces.
100 120	Medium	For intermediate sanding and removal of minor surface imperfections.
150 180 220	Fine	Ideal for fine sanding prior to straining, priming, or sealing.

Do not switch from a coarse grit to a very fine grit in one step because it may be difficult to remove the marks made by the coarse grit abrasive. Use the finest grits practical for the roughing operation, and finish by using successively finer grits.

### Installing Sandpaper

Inspect sandpaper before installing. DO NOT use if broken, ripped or defective.

1. Unplug the sander.
2. Push in the front clamp (1) and insert the end of new 1/4 sheet sandpaper approximately 1/4" between the clamp and the sanding pad. Release the front clamp.
3. Open the rear clamp (2) by pushing the lever up and out of the catch. Open the clamp fully.
4. Wrap the sandpaper around the sanding pad, moulding the sandpaper to the base.
5. Smooth the paper against the sanding pad and close the rear clamp (3). Ensure the paper is pulled tight under the rear clamp. Secure the lever in the clamp catch.
6. Multiple sheets of sandpaper can be installed at one time for convenience.



### Paper Punch

A paper punch template has been supplied with the sander for aligning and punching holes in sandpaper. The punched holes must align with the holes in the sanding pad.

1. Install sandpaper on the sander.
2. Align sanding pad over the paper punch.
3. Push down on sander.

**WARNING** Collected sanding dust from sanding surface coatings such as polyurethanes, linseed oil, etc. can self-ignite in the sander dust box or elsewhere and cause fire. To reduce the risk of fire always empty the dust box frequently (10-15 minutes) while sanding and never store or leave a sander without totally emptying its dust box. Also follow the recommendations of the coatings manufacturers.

### Dust Box with Filter

The dust box provides a dust collection and air filtration system for the sander. Sanding dust is drawn up through the holes of the sanding pad and collected in the dust box during sanding. To use the dust box:

1. Unplug the sander.
2. To **insert**, slide the dust box chute into the sander's dust port. Ensure the dust box vents are facing up and push sander and dust box together firmly.
3. To **remove**, grasp the sander and dust box firmly and pull apart.
4. To **empty**, using the tabs, pull off the dust box lid. Empty dust from the dust box and tap filter clean. Do not clean filter with water or compressed air. Replace filter when necessary (Cat. No. 43-31-0105).

For more efficient operation, empty the dust box when it is no more than half full. This will permit the air to flow through the box better. Always empty and clean the dust box thoroughly upon completion of a sanding operation and before storing the sander.

**WARNING** When sander is not connected to vacuum, always reinstall dust box assembly back onto sander. Failure to do so could cause sanding dust or foreign objects to be thrown into your face or eyes which could result in possible serious injury.

### Universal Hose Adapter

Use the universal hose adapter to attach the sander to a vacuum hose.

1. Unplug the sander.
2. Remove the dust box from the sander.
3. To **insert**, slide the adapter into the sander's dust port. Push sander and adapter together firmly. Connect the vacuum hose to the adapter, twisting together to secure.
4. To **remove**, disconnect the vacuum hose from the adapter. Then, grasp the sander and adapter firmly and pull apart.

## OPERATION

**⚠ WARNING** To reduce the risk of injury, always unplug tool before attaching or removing accessories or making adjustments. Use only specifically recommended accessories. Others may be hazardous.

**⚠ WARNING** To reduce the risk of injury, wear safety goggles or glasses with side shields.

### Starting and Stopping the Tool

To **start** the sander, press the ON (I) button. To **stop** sander, press the OFF (O) button.

**⚠ WARNING** Finish sanding can produce clouds of fine dust that could ignite in the presence of sparks or open flame. Always wear a suitable dust mask or respirator and use your sander in a well-ventilated area.

**⚠ WARNING** To reduce the risk of injury, inspect for and remove all raised nails and fasteners from workpiece before sanding. Striking a fastener while sanding could cause loss of control.

### General Sanding

When using sanders, remember:

- Varying pressure applied to the sander will affect its speed. A light pressure is recommended for fine work, moderate pressure for rough work. Excessive pressure does not allow the pad to move enough.
  - Keep sanding pad flat on the workpiece. Tipping the sander or using the edges of the pad may produce an uneven finish, and reduce pad life.
  - Keep sander moving in broad even strokes across the workpiece. Sanding in one spot too long can cause gouging and uneven results.
1. To prevent rough action due to starting under load, turn ON/OFF Switch ON before applying sander to workpiece.
  2. Work in slow, overlapping strokes parallel to grain. This sander is designed for even weight distribution. Excessive pressure may damage workpiece and motor as well as cause premature sandpaper wear.
  3. Repeat operation using successively finer grits of sandpaper until desired finish is obtained. Example: 60 Coarse, 100 Medium, 150 Fine.

**⚠ WARNING** Properly secure workpiece before sanding. Unsecured work could be thrown towards the operator causing injury.

**⚠ WARNING** Do not wear loose clothing or jewelry when operating sander. They could get caught in moving parts causing serious injury. Keep head away from sander and sanding area. Hair could be drawn into sander causing serious injury.

### Removing Paint or Varnish

1. When removing several layers of paint or varnish, remove as much as possible with a paint solvent or varnish remover.
2. Scrape away the residue with a putty knife or other scraping tool and allow the surface to cool and dry before applying sander to the workpiece.

**⚠ WARNING** To reduce the risk of fire and explosion, paint solvents and varnish removers must be removed from the workpiece and the workpiece must be completely dry before sanding.

3. Select a coarse grit sandpaper disc to help prevent the sandpaper from clogging.
4. Keep the sander moving over new areas to avoid heating and softening the old coating (paint or varnish).
5. Work in wide, overlapping strokes to produce a uniform finish.
6. As the workpiece begins to show through the old coating, switch to a medium grit sandpaper disc to avoid scratching the surface of the workpiece. Gradually switch to a fine grit sandpaper until you achieve the desired finish.

## MAINTENANCE

**⚠ WARNING** To reduce the risk of injury, always unplug your tool before performing any maintenance. Never disassemble the tool or try to do any rewiring on the tool's electrical system. Contact a **MILWAUKEE** service facility for ALL repairs.

### Maintaining Tools

Keep your tool in good repair by adopting a regular maintenance program. Before use, examine the general condition of your tool. Inspect guards, switches, tool cord set and extension cord for damage. Check for loose screws, misalignment, binding of moving parts, improper mounting, broken parts and any other condition that may affect its safe operation. If abnormal noise or vibration occurs, turn the tool off immediately and have the problem corrected before further use. Do not use a damaged tool. Tag damaged tools "DO NOT USE" until repaired (see "Repairs"). Under normal conditions, relubrication is not necessary until the motor brushes need to be replaced. After six months to one year, depending on use, return your tool to the nearest **MILWAUKEE** service facility for the following:

- Lubrication
- Brush inspection and replacement
- Mechanical inspection and cleaning (gears, spindles, bearings, housing, etc.)
- Electrical inspection (switch, cord, armature, etc.)
- Testing to assure proper mechanical and electrical operation

**⚠ WARNING** To reduce the risk of injury, electric shock and damage to the tool, never immerse your tool in liquid or allow a liquid to flow inside the tool.

### Cleaning

Clean dust and debris from vents. Keep the tool handles clean, dry and free of oil or grease. Use only mild soap and a damp cloth to clean your tool since certain cleaning agents and solvents are harmful to plastics and other insulated parts. Some of these include: gasoline, turpentine, lacquer thinner, paint thinner, chlorinated cleaning solvents, ammonia and household detergents containing ammonia. Never use flammable or combustible solvents around tools.

### Repairs

If your tool is damaged, return the entire tool to the nearest service center.

## ACCESSORIES

**⚠ WARNING** To reduce the risk of injury, always unplug the tool before attaching or removing accessories. Use only specifically recommended accessories. Others may be hazardous.

For a complete listing of accessories refer to your **MILWAUKEE** catalog or go on-line to [www.milwaukeetool.com](http://www.milwaukeetool.com). To obtain a catalog, contact your local distributor or a service center.

### LIMITED WARRANTY - USA AND CANADA

Every MILWAUKEE power tool (including cordless product – tool, battery pack(s) - see separate & distinct CORDLESS BATTERY PACK LIMITED WARRANTY statements & battery charger and Work Lights\*) is warranted to the original purchaser only to be free from defects in material and workmanship. Subject to certain exceptions, MILWAUKEE will repair or replace any part on an electric power tool which, after examination, is determined by MILWAUKEE to be defective in material or workmanship for a period of five (5) years\* after the date of purchase unless otherwise noted. Return of the power tool to a MILWAUKEE factory Service Center location or MILWAUKEE Authorized Service Station, freight prepaid and insured, is required. A copy of the proof of purchase should be included with the return product. This warranty does not apply to damage that MILWAUKEE determines to be from repairs made or attempted by anyone other than MILWAUKEE authorized personnel, misuse, alterations, abuse, normal wear and tear, lack of maintenance, or accidents.

\*The warranty period for, Job Site Radios, M12™ Power Port, M18™ Power Source, Jobsite Fan and Trade Titan™ Industrial Work Carts is one (1) year from the date of purchase. The warranty period for a LED Work Light and LED Upgrade Bulb is a limited LIFETIME warranty to the original purchaser only, if during normal use the LED bulb fails the Work Light or Upgrade Bulb will be replaced free of charge.

\*This warranty does not cover Air Nailers & Stapler, Airless Paint Sprayer, Cordless Battery Packs, Gasoline Driven Portable Power Generators, Hand Tools, Hoist – Electric, Lever & Hand Chain, M12™ Heated Jackets, Reconditioned product and Test & Measurement products. There are separate and distinct warranties available for these products.

Warranty Registration is not necessary to obtain the applicable warranty on a MILWAUKEE power tool product. The manufacturing date of the product will be used to determine the warranty period if no proof of purchase is provided at the time warranty service is requested.

ACCEPTANCE OF THE EXCLUSIVE REPAIR AND REPLACEMENT REMEDIES DESCRIBED HEREIN IS A CONDITION OF THE CONTRACT FOR THE PURCHASE OF EVERY MILWAUKEE PRODUCT. IF YOU DO NOT AGREE TO THIS CONDITION, YOU SHOULD NOT PURCHASE THE PRODUCT. IN NO EVENT SHALL MILWAUKEE BE LIABLE FOR ANY INCIDENTAL, SPECIAL, CONSEQUENTIAL OR PUNITIVE DAMAGES, OR FOR ANY COSTS, ATTORNEY FEES, EXPENSES, LOSSES OR DELAYS ALLEGED TO BE AS A CONSEQUENCE OF ANY DAMAGE TO, FAILURE OF, OR DEFECT IN ANY PRODUCT INCLUDING, BUT NOT LIMITED TO, ANY CLAIMS FOR LOSS OF PROFITS. SOME STATES DO NOT ALLOW THE EXCLUSION OR LIMITATION OF INCIDENTAL OR CONSEQUENTIAL DAMAGES, SO THE ABOVE LIMITATION OR EXCLUSION MAY NOT APPLY TO YOU. THIS WARRANTY IS EXCLUSIVE AND IN LIEU OF ALL OTHER EXPRESS WARRANTIES, WRITTEN OR ORAL. TO THE EXTENT PERMITTED BY LAW, MILWAUKEE DISCLAIMS ANY IMPLIED WARRANTIES, INCLUDING WITHOUT LIMITATION ANY IMPLIED WARRANTY OF MERCHANTABILITY OR FITNESS FOR A PARTICULAR USE OR PURPOSE; TO THE EXTENT SUCH DISCLAIMER IS NOT PERMITTED BY LAW, SUCH IMPLIED WARRANTIES ARE LIMITED TO THE DURATION OF THE APPLICABLE EXPRESS WARRANTY AS DESCRIBED ABOVE. SOME STATES DO NOT ALLOW LIMITATIONS ON HOW LONG AN IMPLIED WARRANTY LASTS, SO THE ABOVE LIMITATION MAY NOT APPLY TO YOU, THIS WARRANTY GIVES YOU SPECIFIC LEGAL RIGHTS, AND YOU MAY ALSO HAVE OTHER RIGHTS WHICH VARY FROM STATE TO STATE. This warranty applies to product sold in the U.S.A. and Canada only.

Please consult the 'Service Center Search' in the Parts & Service section of MILWAUKEE's website [www.milwaukeekeetool.com](http://www.milwaukeekeetool.com) or call **1.800.SAWDUST (1.800.729.3878)** to locate your nearest service facility for warranty and non-warranty service on a Milwaukee electric power tool.

### LIMITED WARRANTY - MEXICO, CENTRAL AMERICA AND CARIBBEAN

TECHTRONIC INDUSTRIES' warranty is for 5 year since the original purchase date. This warranty card covers any defect in material and workmanship on this Power Tool. To make this warranty valid, present this warranty card, sealed/stamped by the distributor or store where you purchased the product, to the Authorized Service Center (ASC). Or, if this card has not been sealed/stamped, present the original proof of purchase to the ASC. Call toll-free 1 800 030-7777, or by email to [servicio.tecnico@milwaukeekeetool.com](mailto:servicio.tecnico@milwaukeekeetool.com), to find the nearest ASC, for service, parts, accessories or components.

#### Procedure to make this warranty valid

Take the product to the ASC, along with the warranty card sealed/stamped by the distributor or store where you purchased the product, and there any faulty piece or component will be replaced without cost for you. We will cover all freight costs relative with this warranty process.

#### Exceptions

This warranty is not valid in the following situations:

- When the product is used in a different manners from the end-user guide or instruction manual.
- When the conditions of use are not normal.
- When the product was modified or repaired by people not authorized by TECHTRONIC INDUSTRIES.

Note: If cord set is damaged, it should be replaced by an Authorized Service Center to avoid electric risks.

SERVICE AND ATTENTION CENTER  
Av Presidente Mazarik 29 Piso 7, 11560 Polanco V Seccion  
Miguel Hidalgo, Distrito Federal, Mexico  
Tel. 52 (55) 4160-3540

IMPORTED AND COMMERCIALIZED BY:  
TECHTRONIC INDUSTRIES MEXICO, S.A. DE C.V.  
Av Presidente Mazarik 29 Piso 7, 11560 Polanco V Seccion  
Miguel Hidalgo, Distrito Federal, Mexico

Model: \_\_\_\_\_

Date of Purchase: \_\_\_\_\_

Distributor or Store Stamp: \_\_\_\_\_

### RÈGLES DE SÉCURITÉ GÉNÉRALES RELATIVES AUX OUTILS ÉLECTRIQUES

**⚠ AVERTISSEMENT** Lire toutes les consignes de sécurité, consignes, illustrations et spécifications fournies avec cet outil électrique. Ne pas suivre l'ensemble des règles et instructions peut entraîner une électrocution, un incendie ou des blessures graves. Conserver les règles et les instructions à des fins de référence ultérieure. Le terme «outil électrique» figurant dans les avertissements ci-dessous renvoie à l'outil électrique à alimentation par le réseau (à cordon) ou par batterie (sans fil).

#### SÉCURITÉ DU LIEU DE TRAVAIL

- **Veillez à ce que l'aire de travail soit propre et bien éclairée.** Le désordre et le manque de lumière favorisent les accidents.
- **Ne pas utiliser d'outils électriques dans des atmosphères explosives, par exemple en présence de liquides, gaz ou poussières inflammables.** Les outils électriques produisent des étincelles risquant d'enflammer les poussières ou vapeurs.
- **S'assurer que les enfants et les curieux se trouvent à une bonne distance au moment d'utiliser un outil électrique.** Les distractions peuvent causer une perte de contrôle.

#### SÉCURITÉ ÉLECTRIQUE

- **Les fiches des outils électriques doivent correspondre à la prise secteur utilisée. Ne jamais modifier la fiche, de quelque façon que ce soit. Ne jamais utiliser d'adaptateurs de fiche avec des outils mis à la terre.** Les fiches et prises non modifiées réduisent le risque de choc électrique.
- **Éviter tout contact avec des surfaces mises à la terre comme des tuyaux, des radiateurs, des cuisinières et des réfrigérateurs.** Le risque de choc électrique est accru lorsque le corps est mis à la terre.
- **Ne pas exposer les outils électriques à l'eau ou l'humidité.** La pénétration d'eau dans ces outils accroît le risque de choc électrique.
- **Ne pas maltraiter le cordon d'alimentation. Ne jamais utiliser le cordon d'alimentation pour transporter l'outil électrique et ne jamais débrancher ce dernier en tirant sur le cordon. Garder le cordon à l'écart de la chaleur, de l'huile, des objets tranchants et des pièces en mouvement.** Un cordon endommagé ou emmêlé accroît le risque de choc électrique.
- **Pour les travaux à l'extérieur, utiliser un cordon spécialement conçu à cet effet.** Utiliser un cordon conçu pour l'usage extérieur réduit les risques de choc électrique.
- **Si l'utilisation d'un outil électrique est inévitable dans un endroit humide, utiliser une source d'alimentation munie d'un disjoncteur de fuite de terre.** L'utilisation d'un disjoncteur de fuite de terre réduit le risque de choc électrique.

#### SÉCURITÉ INDIVIDUELLE

- **Rester attentif, prêter attention au travail et faire preuve de bon sens lors de l'utilisation de tout outil électrique. Ne pas utiliser cet appareil en cas de fatigue ou sous l'influence de l'alcool, de drogues ou de médicaments.** Un moment d'inattention pendant l'utilisation d'un outil électrique peut entraîner des blessures graves.

- **Porter l'équipement de protection individuel requis. Toujours porter une protection oculaire.** Selon les conditions, porter aussi un masque anti-poussières, des bottes de sécurité antidérapantes, un casque protecteur ou une protection auditive afin de réduire les blessures.
- **Empêcher les démarrages accidentels. S'assurer que la gâchette est en position d'arrêt avant de brancher l'outil à une source de courant, d'insérer la batterie, de le ramasser ou de le transporter.** Le fait de transporter un outil électrique en gardant le doigt sur la gâchette ou de mettre sous tension un outil électrique lorsque la gâchette est en position de marche favorise les accidents.
- **Retirer les clés de réglage avant de mettre l'outil en marche.** Une clé laissée sur une pièce rotative de l'outil peut causer des blessures.
- **Ne pas travailler hors de portée. Toujours se tenir bien campé et en équilibre.** Une bonne stabilité procure un meilleur contrôle de l'outil électrique en cas d'imprévu.
- **Porter une tenue appropriée. Ne porter ni vêtements amples, ni bijoux. Garder les cheveux et les vêtements à l'écart des pièces en mouvement.** Les vêtements flottants, les bijoux ou les cheveux longs risquent d'être happés par les pièces en mouvement.
- **Si les outils sont équipés de dispositifs de dépoussiérage, s'assurer qu'ils sont connectés et correctement utilisés.** L'utilisation d'un collecteur de poussière permet de réduire les dangers liés à la poussière.
- **Ne pas laisser la familiarité avec l'outil acquise par une utilisation fréquente vous rendre suffisant et vous amener à ignorer les règles de sécurité.** Une utilisation négligée peut causer une blessure grave en une fraction de seconde.

#### UTILISATION ET ENTRETIEN DE L'OUTIL ÉLECTRIQUE

- **Ne pas forcer l'outil électrique. Utiliser l'outil électrique approprié pour l'application.** Un outil électrique approprié exécutera le travail mieux et de façon moins dangereuse s'il est utilisé dans les limites prévues.
- **Ne pas utiliser l'outil électrique si le commutateur ne permet pas de le mettre en marche ou de l'arrêter.** Tout outil électrique qui ne peut pas être contrôlé par son commutateur est dangereux et doit être réparé.
- **Débrancher l'outil et/ou retirer le bloc-piles, si possible, avant d'effectuer des réglages, de changer d'accessoire ou de remiser l'outil.** Ces mesures de sécurité préventives réduisent les risques de démarrage accidentel de l'outil.
- **Entreposer l'outil électrique hors de la portée des enfants et interdire à quiconque de l'utiliser si la personne ne connaît pas bien le produit ou les instructions.** Les outils électriques sont dangereux dans les mains d'utilisateurs novices.

- **Entretien les outils électriques et les accessoires.** Vérifier qu'aucune pièce mobile n'est mal alignée ou bloquée, qu'aucune pièce n'est brisée et s'assurer qu'aucun autre problème risque d'affecter le bon fonctionnement de l'outil. En cas de dommages, faire réparer l'outil avant de l'utiliser. Plusieurs accidents sont causés par des produits mal entretenus.
- **Garder les outils bien affûtés et propres.** Des outils correctement entretenus et dont les tranchants sont bien affûtés risquent moins de se bloquer et sont plus faciles à contrôler.
- **Utiliser l'outil électrique, les accessoires, les embouts etc. conformément à ces instructions en tenant compte des conditions de travail et de la tâche à effectuer.** L'usage d'un outil électrique pour des applications pour lesquelles il n'est pas conçu peut être dangereux.
- **Garder les poignées et les surfaces de préhension sèches, propres et exemptes d'huile ou de graisse.** Des poignées et des surfaces de préhension glissantes ne permettent pas de manipuler et de contrôler l'outil en toute sécurité en cas de situation imprévue.

### ENTRETIEN

- **Les réparations de l'outil électrique doivent être confiées à un technicien qualifié, utilisant exclusivement des pièces identiques à celles d'origine.** Le maintien de la sûreté de l'outil électrique sera ainsi assuré.
- **Ne jamais effectuer la réparation d'un bloc-piles endommagé.** La réparation du bloc-piles doit être réalisée par le fabricant ou les fournisseurs de service agréés uniquement.

### RÈGLES DE SÉCURITÉ SPÉCIFIQUES DE PONCEUSE

- **Entretenez les étiquettes et marques de fabricant.** Les indications qu'elles contiennent sont précieuses. Si elles deviennent illisibles ou se détachent, faites-les remplacer gratuitement à un centre de service MILWAUKEE accrédité.
- **AVERTISSEMENT** La poussière dégagée par perçage, sciage et autres travaux de construction contient des substances chimiques reconnues comme pouvant causer le cancer, des malformations congénitales ou d'autres troubles de reproduction. Voici quelques exemples de telles substances :
  - Le plomb contenu dans la peinture au plomb.
  - Le silice cristallin contenu dans la brique, le béton et divers produits de maçonnerie.
  - L'arsenic et le chrome servant au traitement chimique du bois.
 Les risques associés à l'exposition à ces substances varient, dépendant de la fréquence des travaux. Afin de minimiser l'exposition à ces substances chimiques, assurez-vous de travailler dans un endroit bien aéré et d'utiliser de l'équipement de sécurité tel un masque antipoussière spécifiquement conçu pour la filtration de particules microscopiques.

### CORDONS DE RALLONGE

Si l'emploi d'un cordon de rallonge est nécessaire, un cordon à trois fils doit être employé pour les outils mis à la terre. Pour les outils à double isolation, on peut employer indifféremment un cordon de rallonge à deux ou trois fils. Plus la longueur du cordon entre l'outil et la prise de courant est grande, plus le calibre du cordon doit être élevé. L'utilisation d'un cordon de rallonge incorrectement calibré entraîne une chute de voltage résultant en une perte de puissance qui risque de détériorer l'outil. Reportez-vous au tableau ci-contre pour déterminer le calibre minimum du cordon. Moins le calibre du fil est élevé, plus sa conductivité est bonne. Par exemple, un cordon de calibre 14 a une meilleure conductivité qu'un cordon de calibre 16. Lorsque vous utilisez plus d'une rallonge pour couvrir la distance, assurez-vous que chaque cordon possède le calibre minimum requis. Si vous utilisez un seul cordon pour brancher plusieurs outils, additionnez le chiffre d'intensité (ampères) inscrit sur la fiche signalétique de chaque outil pour obtenir le calibre minimal requis pour le cordon.

#### Directives pour l'emploi des cordons de rallonge

- Si vous utilisez une rallonge à l'extérieur, assurez-vous qu'elle est marquée des sigles « W-A » (« W » au Canada) indiquant qu'elle est adéquate pour usage extérieur.
- Assurez-vous que le cordon de rallonge est correctement câblé et en bonne condition. Remplacez tout cordon défectueux détérioré ou faites-le remettre en état par une personne compétente avant de vous en servir.
- Tenez votre cordon de rallonge à l'écart des objets rancissants, des sources de grande chaleur et des endroits humides ou mouillés.

#### Calibres minimaux recommandés pour les cordons de rallonge\*

Fiche signalétique Ampères	Longueur du cordon de rallonge (m)					
	7,6	12,2	22,8	30,4	45,7	60,9
0 - 5,0	16	16	16	14	12	12
5,1 - 8,0	16	16	14	12	10	--
8,1 - 12,0	14	14	12	10	--	--
12,1 - 15,0	12	12	10	10	--	--
15,1 - 20,0	10	10	10	--	--	--

\* Basé sur sur une chute de voltage limite de 5 volts à 150% de l'intensité moyenne de courant.

### LISEZ ATTENTIVEMENT CES INSTRUCTIONS ET CONSERVEZ-LES POUR LES CONSULTER AU BESOIN.

### MISE A LA TERRE

**AVERTISSEMENT** Si le fil de mise à la terre est incorrectement raccordé, il peut en résulter des risques de choc électrique. Si vous n'êtes pas certain que la prise dont vous vous servez est correctement mise à la terre, faites-la vérifier par un électricien. **N'altérez pas la fiche du cordon de l'outil. N'enlevez pas de la fiche, la dent qui sert à la mise à la terre. N'employez pas l'outil si le cordon ou la fiche sont en mauvais état. Si tel est le cas, faites-les réparer dans un centre-service MILWAUKEE accrédité avant de vous en servir. Si la fiche du cordon ne s'adapte pas à la prise, faites remplacer la prise par un électricien.**

#### Outils mis à la terre : Outils pourvus d'une fiche de cordon à trois dents

Les outils marqués « Mise à la terre requise » sont pourvus d'un cordon à trois fils dont la fiche a trois dents. La fiche du cordon doit être branchée sur une prise correctement mise à la terre (voir Figure A). De cette façon, si une défectuosité dans le circuit électrique de l'outil survient, le relais à la terre fournira un conducteur à faible résistance pour décharger le courant et protéger l'utilisateur contre les risques de choc électrique.

La dent de mise à la terre de la fiche est reliée au système de mise à la terre de l'outil via le fil vert du cordon. Le fil vert du cordon doit être le seul fil raccordé à un bout au système de mise à la terre de l'outil et son autre extrémité ne doit jamais être raccordée à une borne sous tension électrique.

Votre outil doit être branché sur une prise appropriée, correctement installée et mise à la terre conformément aux codes et ordonnances en vigueur. La fiche du cordon et la prise de courant doivent être semblables à celles de la Figure A.



Fig. A

#### Outils à double isolation : Outils pourvus d'une fiche de cordon à deux dents

Les outils marqués « Double Isolation » n'ont pas besoin d'être raccordés à la terre. Ils sont pourvus d'une double isolation conforme aux exigences de l'OSHA et satisfont aux normes de l'Underwriters Laboratories, Inc., de l'Association canadienne de normalisation (ACNOR) et du « National Electrical Code » (code national de l'électricité). Les outils à double isolation peuvent être branchés sur n'importe laquelle des prises à 120 volt illustrées ci-contre (Figure B et C).

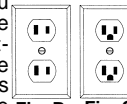
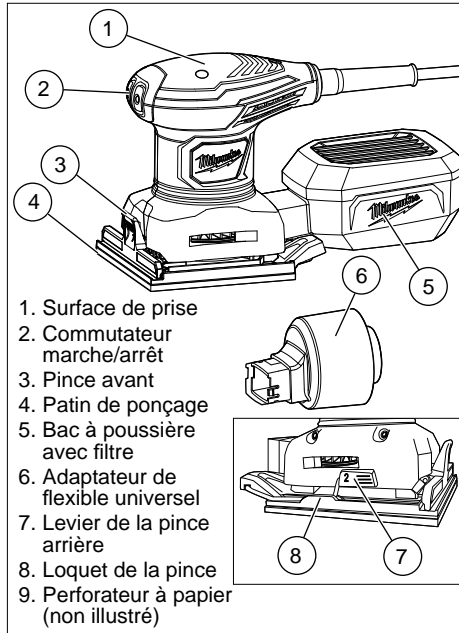


Fig. B

Fig. C

### DESCRIPTION FONCTIONNELLE



1. Surface de prise
2. Commutateur marche/arrêt
3. Pince avant
4. Patin de ponçage
5. Bac à poussière avec filtre
6. Adaptateur de flexible universel
7. Levier de la pince arrière
8. Loquet de la pince
9. Perforateur à papier (non illustré)

### SPÉCIFICATIONS

No de cat.	Volts ca	Ampères	T/Min. à vide	Dim. papier
6033-21	120	3	14 000	1/4 de feuille

### PICTOGRAPHIE

	Double Isolation
	Volts
	Courant alternatif
	Ampères
	Orbites/Minute
	Underwriters Laboratories, Inc., États-Unis et Canada

## MONTAGE DE L'OUTIL

**AVERTISSEMENT** Pour minimiser les risques de blessures, débranchez toujours l'outil avant d'y faire des réglages, d'y attacher ou d'en enlever les accessoires. L'usage d'accessoires autres que ceux qui sont spécifiquement recommandés pour cet outil peut comporter des risques.

### Choix du papier d'émeri et du grain

Le matériau abrasif du papier d'émeri peut avoir différents calibres de grains. Le grain d'un papier d'émeri doit être choisi en fonction du matériau à poncer. Les directives ci-dessous décrivent les matériaux et les genres de papier d'émeri qui conviennent à leur ponçage.

• **Bois fins** – grenat ou corindon

• **Bois grossier** – aluminium-zircone, céramique, corindon

• **Agglomérés en bois** (panneaux de particules, panneaux de fibres, particules de densité moyenne, etc.) – carbure de silicium ou corindon

• **Matériaux à surface dure** (Corian, etc.) – carbure de silicium ou corindon

• **Métaux** – émeri ou corindon

Grains	Genre	Application typique
60 80	Grossier	Idéal pour ponçage initial ou surfaces plus rugueuses. Dégrossissage rapide. Ponçage grossier, décapage de peinture et de rouille.
100 120	Moyen	Pour ponçage intermédiaire et lissage des imperfections légères.
150 180 220	Fin	Idéal pour lissage avant la teinture, l'apprêt et le scellement.

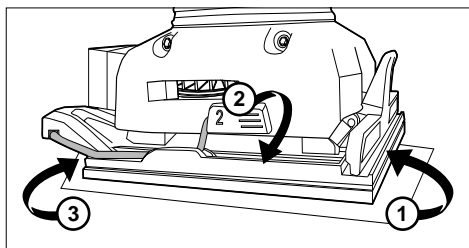
Le papier d'émeri est également classé selon sa rugosité. Commencez à poncer avec un papier d'émeri dont le grain est assez grossier pour enlever les bosses et la rugosité du matériau. Pour le second ponçage, utilisez un papier à grains d'un ou deux degrés plus fins. Continuez à poncer avec des papiers de plus en plus fins pour obtenir le fini désiré.

Ne passez pas, d'un coup, d'un papier à grains grossiers à un papier dont les grains sont fins, car il vous sera alors impossible de faire disparaître les marques laissées par les grains grossiers. Commencez à poncer avec un papier à grains aussi fins que possible, compte tenu de l'état du matériau, puis continuez à poncer avec des papiers de plus en plus fins.

### Installation de papier de verre

Inspecter le papier de verre avant de l'installer. NE PAS l'utiliser s'il est déchiré ou défectueux.

1. Débrancher la ponceuse.
2. Appuyer sur la pince avant (1) et insérer l'extrémité du nouveau quart de feuille de papier abrasif à environ 6,35 mm (1/4 po) entre la pince et plateau porte-disque. Relâcher la pince avant.
3. Ouvrir la pince arrière (2) en poussant le levier vers le haut et hors du loquet. Ouvrir complètement la pince.
4. Enrouler le papier abrasif autour du patin de ponçage, en moulant le papier à la base.
5. Lisser le papier contre le patin de ponçage et fermer la pince arrière (3). S'assurer que le papier est bien tendu sous la pince arrière. Fixer le levier dans le loquet de la pince.
6. Plusieurs feuilles de papier de verre peuvent être installées en même temps, pour plus de commodité.



### Perforateur

Un gabarit perforateur, permettant de percer des trous dans le papier de verre correspondant à ceux du coussinet, est fourni avec la ponceuse. Les perforations du papier doivent être alignées sur les trous du coussinet.

1. Installer le papier de verre sur la ponceuse.
2. Aligner le coussinet de la ponceuse sur le perforateur.
3. Appuyer sur la ponceuse.

**AVERTISSEMENT** La poussière produite lors du ponçage de revêtements de surface tels que le polyuréthane, l'huile de lin, etc., peut s'enflammer spontanément à l'intérieur ou à l'extérieur du sac et causer un incendie. Pour réduire le risque d'incendie, vider fréquemment le sac pendant le ponçage (toutes les 10 à 15 minutes) et ne jamais laisser ou remiser la ponceuse sans avoir complètement vidé le sac. En outre, suivre les recommandations du fabricant du revêtement.

### Bac à poussière avec filtre

Le bac à poussière recueille la poussière produite par la ponceuse et offre un système de filtration d'air. Pendant le ponçage, la poussière est aspirée par les trous du patin et recueillie dans le bac à poussière. Pour utiliser le bac à poussière :

1. Débrancher la ponceuse.
2. Pour insérer, glisser la goulotte du bac à poussière dans le port de poussière de la ponceuse. S'assurer que les événements du bac à poussière sont orientés vers le haut et pousser fermement la ponceuse et le bac à poussière pour les assembler.
3. Pour retirer, saisir fermement la ponceuse et le bac à poussière et les séparer.
4. Pour vider, en utilisant la languette, tirer le couvercle du bac. Vider la poussière du bac et tapoter le filtre pour le nettoyer. Ne pas utiliser de l'eau ou de l'air comprimé pour nettoyer le filtre. Remplacer le filtre si nécessaire (No de cat. 43-31-0105).  
Pour un fonctionnement plus efficace, vider le sac à poussière avant qu'il soit à moitié plein. Ceci permettra à l'air de mieux passer au travers du sac. Toujours vider et nettoyer soigneusement le sac après avoir terminé un travail de ponçage et avant de remiser la ponceuse.

**AVERTISSEMENT** Lorsque la ponceuse n'est pas raccordée à un aspirateur, elle doit toujours être munie du sac à poussière. Si cette précaution n'est pas prise, de la sciure ou d'autres objets peuvent être projetés dans les yeux et causer des lésions graves.

### Adaptateur de flexible universel

Utiliser l'adaptateur de flexible universel pour relier la ponceuse au flexible d'un aspirateur.

1. Débrancher la ponceuse.
2. Retirer le bac à poussière de la ponceuse.
3. Pour insérer, glisser l'adaptateur dans le port de poussière de la ponceuse. Pousser fermement la ponceuse et l'adaptateur ensemble. Brancher le flexible de l'aspirateur à l'adaptateur, en tournant pour les fixer ensemble.
4. Pour retirer, débrancher le flexible de l'aspirateur de l'adaptateur. Ensuite, saisir la ponceuse et l'adaptateur fermement et les séparer.

## MANIEMENT

**AVERTISSEMENT** Pour minimiser les risques de blessures, débranchez toujours l'outil avant d'y faire des réglages, d'y attacher ou d'en enlever les accessoires. L'usage d'accessoires autres que ceux qui sont spécifiquement recommandés pour cet outil peut comporter des risques.

**AVERTISSEMENT** Pour minimiser les risques de blessures, portez des lunettes à coques latérales.

### Démarrage et arrêt de l'outil

Pour démarrer la ponceuse, appuyer sur le bouton Marche (ON) (I).

Pour arrêter la ponceuse, appuyer sur le bouton Arrêt OFF (O).

**AVERTISSEMENT** Le ponçage de finissage peut produire un nuage de poussière fine qui risque d'exploser en présence d'étincelles ou de flammes. Portez toujours un masque appropriés à antipoussière ou un respirateur lorsque vous utilisez une ponceuse et ponchez dans un endroit bien ventilé.

**AVERTISSEMENT** Afin de réduire le risque de blessures, inspectez la pièce de travail et retirez tous les clous protubérants ainsi que les dispositifs de fixation avant de poncer. Buter contre un dispositif de fixation pourrait engendrer une perte de contrôle.

### Ponçage général avec une ponceuse 1/4 de feuille

Lorsque vous faites usage d'une ponceuse, rappelez-vous les conseils suivants :

- Varier la pression sur la ponceuse affectera sa vitesse. Une pression légère est recommandée pour les travaux de finissage et une pression modérée pour les surfaces rugueuses. Une trop grande pression ralentira la mouvement et affectera le ponçage.
- Gardez le disque abrasif à plat sur le matériau. Incliner la ponceuse ou se servir du bord du disque peut produire un fini inégal et usera prématurément le disque.
- Déplacez la ponceuse en larges mouvements égaux sur la surface à polir. Poncer trop longtemps au même endroit pourra strier la surface et créer des affaissements.

1. Pour éviter que la ponceuse ne démarre par soubresauts, placez l'interrupteur ON/OFF à la position "ON" avant de la poser sur la surface à poncer.
2. Poncez lentement en faisant chevaucher vos mouvements dans le sens du grain du bois. Le design de la ponceuse de finition en répartit également le poids sur toute la semelle, une pression excessive pourra endommager la pièce à poncer, surcharger le moteur de la ponceuse et user prématurément le papier abrasif.
3. Recommencez le ponçage, en utilisant successivement un papier abrasif à grains graduellement plus fins, jusqu'à ce que le fini désiré soit obtenu. Par exemple, un papier à grains grossiers, calibre 60, suivi d'un papier à grains moyens de calibre 100 et finalement un papier à grains fins, calibre 150.

**AVERTISSEMENT** Fixez la pièce de travail de manière sécuritaire avant de poncer. Une pièce non assujettie risque d'être projetée vers l'opérateur et de le blesser.

**AVERTISSEMENT** Ne porter ni vêtements amples, ni bijoux pendant l'utilisation de la ponceuse. Ces articles pourraient se prendre dans l'outil, risquant de causer des blessures graves. Garder la tête loin de la ponceuse et de l'endroit poncé. Les cheveux pourraient se prendre dans l'outil, ce qui pourrait entraîner des blessures graves.

#### Décapage de peintures et vernis

1. Lorsque vous décapez plusieurs couches de peinture ou de vernis, enlevez le plus gros à l'aide d'un décapant à peinture et vernis.
2. Grattez le résidu d'enduit avec un couteau à mastiquer ou un grattoir et laissez la surface sécher et refroidir avant d'y appliquer la ponceuse.

**AVERTISSEMENT** Afin de réduire le risque de feu et explosion, les solvants pour peinture ainsi que les décapants à vernis doivent être enlevés de la pièce de travail. De plus, la pièce de travail doit être complètement sèche avant de poncer.

3. Choisissez un disque abrasif à grains grossiers pour prévenir l'encrassement.
4. Déplacez constamment la ponceuse sur l'ensemble de la surface pour éviter la surchauffe et l'encrassement.
5. Poncez en larges mouvements que vous ferez se chevaucher pour obtenir un fini uniforme.
6. Lorsque vous voyez apparaître la surface du matériau de base, changez pour un disque en papier d'émeri plus fin pour ne pas causer d'égratignures. Continuez le ponçage en changeant graduellement pour du papier plus fin jusqu'à obtention du fini désiré.

## ENTRETIEN

**AVERTISSEMENT** Pour minimiser les risques de blessures, débranchez toujours l'outil avant d'y effectuer des travaux de maintenance. Ne faites pas vous-même le démontage de l'outil ni le rebobinage du système électrique. Consultez un centre de service MILWAUKEE accrédité pour toutes les réparations.

#### Entretien de l'outil

Gardez l'outil en bon état en adoptant un programme d'entretien ponctuel. Avant de vous en servir, examinez son état en général. Inspectez-en la garde, interrupteur, cordon et cordon de rallonge pour en déceler les défauts. Vérifiez le serrage des vis, l'alignement et le jeu des pièces mobiles, les vices de montage, bris de pièces et toute autre condition pouvant en rendre le fonctionnement dangereux. Si un bruit ou une vibration insolite survient, arrêtez immédiatement l'outil et faites-le vérifier avant de vous en servir de nouveau. N'utilisez pas un outil défectueux. Fixez-y une étiquette marquée « HORS D'USAGE » jusqu'à ce qu'il soit réparé (voir « Réparations »).

Normalement, il ne sera pas nécessaire de lubrifier l'outil avant que le temps ne soit venu de remplacer les balais. Après une période pouvant aller de 6 mois à un an, selon l'usage, retournez votre outil à un centre de service MILWAUKEE accrédité pour obtenir les services suivants:

- Lubrification
- Inspection et remplacement des balais
- Inspection et nettoyage de la mécanique (engrenages, pivots, coussinets, boîtier etc.)
- Inspection électrique (interrupteur, cordon, induit etc)
- Vérification du fonctionnement électromécanique

**AVERTISSEMENT** Pour minimiser les risques de blessures, choc électrique et dommage à l'outil, n'immergez jamais l'outil et ne laissez pas de liquide s'y infiltrer.

#### Nettoyage

Débarrassez les événements des débris et de la poussière. Gardez les poignées de l'outil propres, à sec et exemptes d'huile ou de graisse. Le nettoyage de l'outil doit se faire avec un linge humide et un savon doux. Certains nettoyants tels l'essence, la térébenthine, les diluants à laque ou à peinture, les solvants chlorés, l'ammoniaque et les détergents d'usage domestique qui en contiennent pourraient détériorer le plastique et l'isolation des pièces. Ne laissez jamais de solvants inflammables ou combustibles auprès des outils.

#### Réparations

Si votre outil est endommagé, retourne l'outil entier au centre de maintenance le plus proche.

## ACCESOIRES

**AVERTISSEMENT** Débranchez toujours l'outil avant de changer ou d'enlever les accessoires. L'utilisation d'autres accessoires que ceux qui sont spécifiquement recommandés pour cet outil peut comporter des risques.

Pour une liste complète des accessoires, prière de se reporter au catalogue MILWAUKEE ou visiter le site internet [www.milwaukeetool.com](http://www.milwaukeetool.com). Pour obtenir un catalogue, il suffit de contacter votre distributeur local ou l'un des centres-service.



## GARANTIE LIMITÉE - AUX ÉTATS-UNIS ET AU CANADA

Chaque outil électrique MILWAUKEE (y compris les produits sans fil [outils, piles, chargeur de piles, lampe de travail]; consulter les énoncés de la GARANTIE LIMITÉE DES BLOCS-PILES SANS FIL) est garanti à l'acheteur d'origine être exempt de vice de matériau et de fabrication. Sous réserve de certaines exceptions, MILWAUKEE réparera ou remplacera toute pièce d'un outil électrique qui, après examen par MILWAUKEE, s'est avérée être affectée d'un vice de matériau ou de fabrication pendant une période de cinq (5) ans\* après la date d'achat, sauf indication contraire. Retourner l'outil électrique, à un centre de réparations en usine MILWAUKEE ou à un poste d'entretien agréé MILWAUKEE, en port prépayé et assuré. Une copie de la preuve d'achat doit être présentée au moment de retourner le produit. Cette garantie ne couvre pas les dommages que MILWAUKEE détermine être causés par des réparations ou des tentatives de réparation par quiconque autre que le personnel agréé par MILWAUKEE, des utilisations incorrectes, des altérations, des utilisations abusives, une usure normale, une carence d'entretien ou des accidents.

\*La période de garantie applicable pour les radios de chantier, le port d'alimentation M12™, Source d'énergie M18™, Ventilateur de chantier et les chariots de travail industriels Trade Titan™ est d'une durée d'un (1) an à partir de la date d'achat. La période de la garantie couvrant la lampe de travail à DEL et l'ampoule améliorée à DEL est une garantie À VIE limitée à l'acheteur d'origine seulement; si, lors d'une utilisation normale, l'ampoule à DEL présente une défectuosité, la lampe de travail et l'ampoule seront remplacées sans frais.

\*Cette garantie ne s'applique pas aux cloueuses-agrafeuses pneumatiques, aux pulvérisateurs à peinture sans air, aux blocs piles pour outils sans fil, aux génératrices d'alimentation portatives à essence, aux outils à main, aux monte-charge – électrique, à levier et à chaîne (manuel), aux vestes chauffantes M12™, aux produits réusinés, ni aux produits d'essai et de mesure. Il existe des garanties distinctes pour ces produits.

L'enregistrement de la garantie n'est pas nécessaire pour bénéficier de la garantie en vigueur sur un outil électrique MILWAUKEE. La date de fabrication du produit servira à établir la période de garantie si aucune preuve d'achat n'est fournie lorsqu'une demande de service sous garantie est présentée.

L'ACCEPTATION DES RECOURS EXCLUSIFS DE RÉPARATION ET DE REMPLACEMENT DÉCRITS AUX PRÉSENTES EST UNE CONDITION DU CONTRAT D'ACHAT DE TOUT PRODUIT MILWAUKEE. SI VOUS N'ACCEPTÉZ PAS CETTE CONDITION, VOUS NE DEVEZ PAS ACHETER LE PRODUIT. EN AUCUN CAS MILWAUKEE NE SAURAIT ÊTRE RESPONSABLE DE TOUT DOMMAGE ACCESSOIRE, SPÉCIAL OU INDIRECT, DE DOMMAGES-INTÉRÊTS PUNITIFS OU DE TOUTE DÉPENSE, D'HONORAIRES D'AVOCATS, DE FRAIS, DE PERTE OU DE DÉLAIS ACCESSOIRES À TOUT DOMMAGE, DÉFAILLANCE OU DÉFAUT DE TOUT PRODUIT, Y COMPRIS NOTAMMENT LES PERTES DE PROFIT. CERTAINS ÉTATS ET PROVINCES NE PERMETTANT PAS L'EXCLUSION OU LA LIMITATION DES DOMMAGES DIRECTS OU INDIRECTS, LES RESTRICTIONS CIDESSUS PEUVENT NE PAS ÊTRE APPLICABLES. CETTE GARANTIE EST EXCLUSIVE ET REMPLACE TOUTE AUTRE GARANTIE EXPRESSE, QU'ELLE SOIT ORALE OU ÉCRITE. DANS LA MESURE PERMISE PAR LA LOI, MILWAUKEE RENONCE À TOUTE GARANTIE IMPLICITE, Y COMPRIS, SANS S'Y LIMITER, TOUTE GARANTIE IMPLICITE DE QUALITÉ MARCHANDE OU D'ADAPTATION À UNE UTILISATION OU À UNE FIN PARTICULIÈRE, DANS LA MESURE OU UNE TELLE STIPULATION D'EXONÉRATION N'EST PAS PERMISE PAR LA LOI, LA DURÉE DE CES GARANTIES IMPLICITES EST LIMITÉE À LA PÉRIODE APPLICABLE DE LA GARANTIE EXPRESSE, TEL QUE DÉCRIT PRÉCÉDEMMENT. CERTAINS ÉTATS ET PROVINCES NE PERMETTANT PAS DE LIMITATION DE DURÉE DES GARANTIES IMPLICITES, LES RESTRICTIONS CIDESSUS PEUVENT NE PAS ÊTRE APPLICABLES. LA PRÉSENTE CONFÈRE À L'UTILISATEUR DES DROITS LÉGAUX PARTICULIERS; IL BÉNÉFICIE ÉGALEMENT D'AUTRES DROITS QUI VARIENT D'UN ÉTAT À L'AUTRE.

Cette garantie s'applique aux produits vendus aux États-Unis et au Canada uniquement.

Veuillez consulter la rubrique Centre SAV MILWAUKEE, dans la section Pièces & Service du site Web de MILWAUKEE, à l'adresse [www.milwaukeeool.com](http://www.milwaukeeool.com), ou composer le 1-800-SAWDUST (1-800-729-3878) afin de trouver le centre de réparations en usine MILWAUKEE le plus près.

## GARANTIE LIMITÉE - MEXIQUE, AMÉRIQUE CENTRALE ET CARAÏBES

TECHTRONIC INDUSTRIES' garantit le produit pendant cinq ans à partir de la date d'achat d'origine. Le présent bon de garantie couvre tous les vices de matériau et de fabrication qui peut afficher cet outil électrique. Pour assurer la validité de la présente garantie, veuillez présenter le bon de commande, estampillé du sceau du distributeur ou du magasin où le produit a été acheté, au centre de réparations agréé. Si le bon de commande n'a pas été estampillé, veuillez fournir la preuve d'achat d'origine au centre de réparations agréé. Pour un entretien, des pièces, des accessoires ou d'autres composants, composer sans frais le 1-800-832-1949 afin d'obtenir les coordonnées du centre de réparations agréé le plus près.

### Procédure pour assurer la validité de la garantie

Présenter le produit au centre de réparations agréé, accompagné du bon de commande estampillé du sceau du distributeur ou du magasin où le produit a été acheté. Toute pièce défectueuse ou tout composant défectueux sera remplacé sans frais. Milwaukee assume tous les frais de transport liés à ce processus de garantie.

### Exceptions

La garantie ne s'applique pas dans les situations suivantes :

- Si le produit a été utilisé pour une fin autre que celle indiquée dans le guide de l'utilisateur final ou le manuel d'instructions.
- Si les conditions d'utilisations ne sont pas habituelles.
- Si le produit a été modifié ou réparé par une personne non autorisée par TECHTRONIC INDUSTRIES.

Note : Si le cordon électrique est endommagé, il doit être remplacé par un centre de réparations agréé pour éviter les risques d'électrocution.

CENTRE DE RÉPARATIONS ET DE SERVICE  
Av Presidente Mazarik 29 Piso 7, 11570 Chapultepec Morales  
Miguel Hidalgo, Distrito Federal, Mexico  
Ph. 52 55 4160-3547

IMPORTÉ ET COMMERCIALISÉ PAR :  
TECHTRONIC INDUSTRIES MEXICO, S.A. DE C.V.  
Av Presidente Mazarik 29 Piso 7, 11570 Chapultepec Morales  
Miguel Hidalgo, Distrito Federal, Mexico

## ADVERTENCIAS DE SEGURIDAD GENERALES PARA LA HERRAMIENTA ELÉCTRICA

**⚠️ ADVERTENCIA** Lea todas las advertencias de seguridad, instrucciones, ilustraciones y especificaciones con esta herramienta eléctrica. Si no sigue todas las advertencias e instrucciones, se pueden provocar una descarga eléctrica, un incendio o lesiones graves. **Guarde todas las advertencias e instrucciones para consultarlas en el futuro.** El término "herramienta eléctrica" en todas las advertencias incluidas más abajo se refiere a su herramienta operada por conexión (cable) a la red eléctrica o por medio de una batería (inalámbrica).

## SEGURIDAD EN EL ÁREA DE TRABAJO

- **Mantenga el área de trabajo limpia y bien iluminada.** Las áreas desordenadas u oscuras son propicias para los accidentes.
- **No utilice herramientas eléctricas en atmósferas explosivas, tales como en presencia de líquidos, gases o polvos inflamables.** Las herramientas eléctricas generan chispas que pueden encender el polvo o los vapores.
- **Mantenga a los niños y a los espectadores alejados mientras utiliza una herramienta eléctrica.** Las distracciones pueden ocasionar la pérdida de control.

## SEGURIDAD ELÉCTRICA

- **Los enchufes de la herramienta eléctrica deben coincidir con el tomacorriente.** Nunca modifique el enchufe de ninguna manera. No utilice adaptadores de enchufe con herramientas eléctricas aterrizadas. Los enchufes y tomacorrientes correspondientes sin modificar reducirán el riesgo de descarga eléctrica.
- **Evite el contacto corporal con superficies aterrizadas, tales como tuberías, radiadores, estufas y refrigeradores.** Existe un riesgo mayor de descarga eléctrica si su cuerpo está aterrizado.
- **No exponga las herramientas eléctricas a la lluvia ni a condiciones húmedas.** Si se introduce agua en una herramienta eléctrica, aumentará el riesgo de descarga eléctrica.
- **No maltrate el cable.** Nunca utilice el cable para cargar, jalar o desconectar la herramienta eléctrica. Mantenga el cable alejado del calor, el aceite, los bordes afilados o las partes en movimiento. Los cables dañados o enredados aumentan el riesgo de descarga eléctrica.
- **Al utilizar una herramienta eléctrica en exteriores, utilice una extensión adecuada para uso en exteriores.** El uso de una extensión adecuada para el uso en exteriores disminuye el riesgo de descarga eléctrica.
- **Si es inevitable utilizar una herramienta eléctrica en un lugar húmedo, utilice un alimentador de corriente protegido con un interruptor de circuito por falla de conexión a tierra (GFCI).** El uso de un GFCI reduce el riesgo de descarga eléctrica.

## SEGURIDAD PERSONAL

- **Manténgase alerta, atento a lo que está haciendo y utilice el sentido común al utilizar una herramienta eléctrica.** No utilice una herramienta eléctrica mientras está cansado o bajo la influencia de drogas, alcohol o medicamentos. Un momento de distracción al utilizar herramientas eléctricas puede ocasionar lesiones personales graves.
- **Utilice equipo de protección personal.** Siempre use protección para los ojos. El equipo de protección, tal como una máscara contra polvo, calzado antideslizante, casco o protección auditiva, utilizado para condi-

ciones adecuadas disminuirá las lesiones personales.

- **Evite el arranque accidental.** Asegúrese de que el interruptor esté en la posición de apagado antes de conectarlo a una fuente de poder y/o batería, levantar o trasladar la herramienta. Trasladar herramientas con el dedo en el interruptor o energizar herramientas eléctricas que tienen el interruptor encendido propicia accidentes.
- **Retire cualquier llave de ajuste antes de entender la herramienta.** Una llave que se deje insertada en una parte giratoria de la herramienta eléctrica puede ocasionar lesiones personales.
- **No estire el cuerpo demasiado.** Mantenga un buen contacto entre los pies y el suelo y mantenga el equilibrio en todo momento. Esto permite un mejor control de la herramienta eléctrica en situaciones inesperadas.
- **Vístase adecuadamente.** No utilice ropa o joyería holgada. Mantenga el cabello y la ropa alejados de las partes móviles. La ropa holgada, las alhajas o el cabello largo pueden quedarse atrapados en las partes móviles.
- **Si se proporcionan dispositivos para la conexión de instalaciones de extracción y recolección de polvo, cerciése de que estén conectados y se utilicen correctamente.** El uso de dispositivos recolectores de polvo puede disminuir los riesgos relacionados con el polvo.
- **No permita que la familiaridad por el uso frecuente de las herramientas lo hagan sentirse seguro e ignorar los principios de seguridad de las herramientas.** Un descuido puede provocar lesiones graves en una fracción de segundo.

## USO Y CUIDADO DE LAS HERRAMIENTAS ELÉCTRICAS

- **No fuerce la herramienta eléctrica.** Utilice la herramienta eléctrica correcta para su aplicación. La herramienta eléctrica correcta realizará el trabajo mejor y con mayor seguridad a la velocidad para la que fue diseñada.
- **No utilice la herramienta eléctrica si el interruptor no la enciende y la apaga.** Cualquier herramienta eléctrica que no pueda controlarse con el interruptor es peligrosa y debe repararse.
- **Desconecte el enchufe de la fuente de energía y/o quite la batería de la herramienta eléctrica, si es posible, antes de realizar cualquier ajuste, cambiar accesorios o almacenar las herramientas eléctricas.** Tales medidas preventivas de seguridad disminuyen el riesgo de que la herramienta eléctrica se encienda accidentalmente.
- **Almaceñe las herramientas eléctricas que no se estén utilizando fuera del alcance de los niños y no permita que personas que no estén familiarizadas con la herramienta eléctrica o con estas instrucciones la utilicen.** Las herramientas eléctricas son peligrosas en manos de usuarios sin capacitación.
- **Dé mantenimiento a las herramientas eléctricas y accesorios.** Verifique que no haya desalineación,

Modèle : \_\_\_\_\_

Date d'achat : \_\_\_\_\_

Sceau du distributeur ou du magasin :

amarre de partes móviles, partes rotas o alguna otra condición que pueda afectar el funcionamiento de la herramienta eléctrica. Si se daña, asegúrese de que la herramienta eléctrica sea reparada antes de que se utilice. Muchos accidentes son ocasionados por herramientas eléctricas con mantenimiento deficiente.

- **Mantenga las herramientas de corte afiladas y limpias.** Las herramientas de corte correctamente mantenidas con bordes de corte afilados son menos propensas a atorarse y son más fáciles de controlar.
- **Utilice la herramienta eléctrica, los accesorios y las puntas, etc. de acuerdo con estas instrucciones, tomando en cuenta las condiciones de trabajo y el trabajo a realizar.** El uso de la herramienta eléctrica para operaciones diferentes a las previstas podría generar una situación peligrosa.
- **Mantenga las empuñaduras y ñas superficies de sujeción secas, limpias y libres de aceite y grasa.** Las empuñaduras y superficies de sujeción resbalosas no permiten el manejo y control seguros de la herramienta en situaciones inesperadas.

### MANTENIMIENTO

- **Lleve su herramienta eléctrica a servicio con un técnico calificado que use únicamente piezas de reemplazo idénticas.** Esto asegurará que la seguridad de la herramienta eléctrica se mantenga.
- **Nunca dé servicio a baterías dañadas.** Únicamente el fabricante o proveedores de servicio autorizados deben dar servicio a las baterías.

### REGLAS ESPECÍFICAS DE SEGURIDAD DE LIJADORA

- **Guarde las etiquetas y placas de especificaciones.** Estas tienen información importante. Si son ilegibles o si no se pueden encontrar, póngase en contacto con un centro de servicio de MILWAUKEE para una refacción gratis.
- **ADVERTENCIA:** Algunas partículas de polvo resultantes del lijado mecánico, aserrado, esmerilado, taladrado y otras actividades relacionadas a la construcción, contienen sustancias químicas que se saben ocasionan cáncer, defectos congénitos u otros daños al aparato reproductivo. A continuación se citan algunos ejemplos de tales sustancias químicas:
  - plomo proveniente de pinturas con base de plomo
  - sílice cristalino proveniente de ladrillos, cemento y otros productos de albañilería y
  - arsénico y cromo provenientes de madera químicamente tratada.
 El riesgo que usted sufre debido a la exposición varía dependiendo de la frecuencia con la que usted realiza estas tareas. Para reducir la exposición a estas sustancias químicas: trabaje en un área bien ventilada, y utilice equipo de seguridad aprobado como, por ejemplo, máscaras contra el polvo que hayan sido específicamente diseñadas para filtrar partículas microscópicas.

### EXTENSIONES ELÉCTRICAS

Las herramientas que deben conectarse a tierra cuentan con clavijas de tres patas y requieren que las extensiones que se utilicen con ellas sean también de tres cables. Las herramientas con doble aislamiento y clavijas de dos patas pueden utilizarse indistintamente con extensiones de dos a tres cables. El calibre de la extensión depende de la distancia que exista entre la toma de la corriente y el sitio donde se utilice la herramienta. El uso de extensiones inadecuadas puede causar serias caídas en el voltaje, resultando en pérdida de potencia y posible daño a la herramienta. La tabla que aquí se ilustra sirve de guía para la adecuada selección de la extensión.

Mientras menor sea el número del calibre del cable, mayor será la capacidad del mismo. Por ejemplo, un cable calibre 14 puede transportar una corriente mayor que un cable calibre 16. Cuando use mas de una extensión para lograr el largo deseado, asegúrese que cada una tenga al menos, el mínimo tamaño de cable requerido. Si está usando un cable de extensión para mas de una herramienta, sume los amperes de las varias placas y use la suma para determinar el tamaño mínimo del cable de extensión.

#### Guías para el uso de cables de extensión

- Si está usando un cable de extensión en sitios al aire libre, asegúrese que está marcado con el sufijo "W-A" ("W" en Canadá) el cual indica que puede ser usado al aire libre.
- Asegúrese que su cable de extensión está correctamente cableado y en buenas condiciones eléctricas. Cambie siempre una extensión dañada o hágala reparar por una persona calificada antes de volver a usarla.
- Proteja su extensión eléctrica de objetos cortantes, calor excesivo o áreas mojadas.

#### Calibre mínimo recomendado para cables de extensiones eléctricas\*

Amperios (En la placa)	Largo de cable de Extensión en (m)					
	7,6	12,2	22,8	30,4	45,7	60,9
0 - 5,0	16	16	16	14	12	12
5,1 - 8,0	16	16	14	12	10	--
8,1 - 12,0	14	14	12	10	--	--
12,1 - 15,0	12	12	10	10	--	--
15,1 - 20,0	10	10	10	--	--	--

\* Basado en limitar la caída en el voltaje a 5 volts al 150% de los amperios.

### LEA Y GUARDE TODAS LAS INSTRUCCIONES PARA FUTURAS REFERENCIAS.

### TIERRA

**ADVERTENCIA** Puede haber riesgo de descarga eléctrica si se conecta el cable de conexión de puesta a tierra incorrectamente. Consulte con un electricista certificado si tiene dudas respecto a la conexión de puesta a tierra del tomacorriente. No modifique el enchufe que se proporciona con la herramienta. Nunca retire la clavija de conexión de puesta a tierra del enchufe. No use la herramienta si el cable o el enchufe está dañado. Si está dañado antes de usarlo, llévelo a un centro de servicio MILWAUKEE para que lo reparen. Si el enchufe no se acopla al tomacorriente, haga que un electricista certificado instale un toma-corriente adecuado.

#### Herramientas con conexión a tierra: Herramientas con enchufes de tres clavijas

Las herramientas marcadas con la frase "Se requiere conexión de puesta a tierra" tienen un cable de tres hilo y enchufes de conexión de puesta a tierra de tres clavijas. El enchufe debe conectarse a un tomacorriente debidamente conectado a tierra (véase la Figura A). Si la herramienta se averiara o no funcionara correctamente, la conexión de puesta a tierra proporciona un trayecto de baja resistencia para desviar la corriente eléctrica de la trayectoria del usuario, reduciendo de este modo el riesgo de descarga eléctrica.

La clavija de conexión de puesta a tierra en el enchufe está conectada al sistema de conexión de puesta a tierra de la herramienta a través del hilo verde dentro del cable. El hilo verde debe ser el único hilo conectado al sistema de conexión de puesta a tierra de la herramienta y nunca se debe unir a una terminal energizada.

Su herramienta debe estar enchufada en un tomacorriente apropiado, correctamente instalado y conectado a tierra según todos los códigos y reglamentos. El enchufe y el tomacorriente deben asemejarse a los de la Figura A.



Fig. A

**Herramientas con doble aislamiento: Herramientas con clavijas de dos patas**  
Las herramientas marcadas con "Doble aislamiento" no requieren conectarse "a tierra". Estas herramientas tienen un sistema aislante que satisface los estándares de OSHA y llena los estándares aplicables de UL (Underwriters Laboratories), de la Asociación Canadiense de Estándares (CSA) y el Código Nacional de Electricidad. Las herramientas con doble aislamiento pueden ser usadas en cualquier tipo de toma corriente de 120 Volt mostrados en las Figuras B y C.

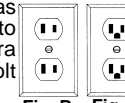
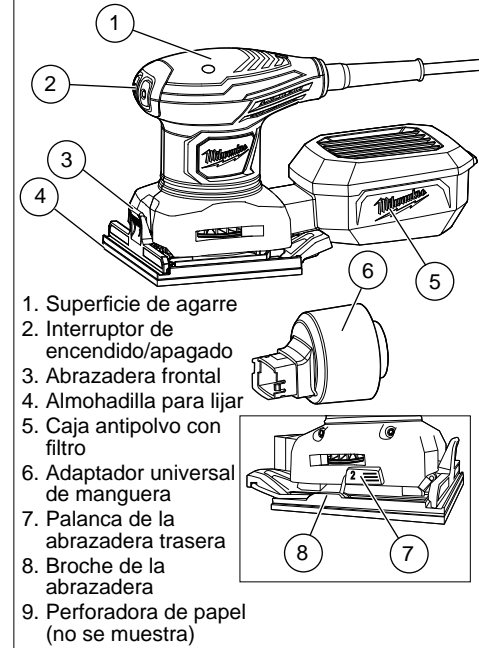


Fig. B

Fig. C

### DESCRIPCION FUNCIONAL



1. Superficie de agarre
2. Interruptor de encendido/apagado
3. Abrazadera frontal
4. Almohadilla para lijar
5. Caja antipolvo con filtro
6. Adaptador universal de manguera
7. Palanca de la abrazadera trasera
8. Broche de la abrazadera
9. Perforadora de papel (no se muestra)

### ESPECIFICACIONES

Cat. No.	Volts ca	A	Orbitas por minuto	Tamaño
6033-21	120	3	14 000	1/4 de hoja

### SIMBOLOGÍA

	Doble aislamiento
	Volts
	Corriente alterna
	Amperios
	Orbitas Por Minuto
	Underwriters Laboratories, Inc., Estados Unidos y Canadá

## ENSAMBLAJE DE LA HERRAMIENTA

**⚠️ ADVERTENCIA** Para reducir el riesgo de una lesión, desconecte siempre la herramienta antes de fijar o retirar accesorios, o antes de efectuar ajustes. Utilice sólo los accesorios específicamente recomendados. El uso de otros accesorios puede ser peligroso.

### Selección de papeles de lija y materiales abrasivos

Los papeles de lija se pueden hacer de varios tipos de materiales abrasivos que se deben seleccionar de acuerdo con el material que se va a lijar. Las pautas siguientes ofrecen una lista de los materiales con los materiales abrasivos que deben utilizarse según los casos.

- **Trabajos finos en madera** – polvo de granate u óxido de aluminio
- **Trabajos rugosos en madera** – zirconia de aluminio u óxido de aluminio cerámico (refractario)
- **Productos fabricados en madera** (tableros hechos de partículas de madera, cartón duro de media densidad, etc.) – carburo de silicio u óxido de aluminio
- **Materiales de superficies sólidas** (Corian, etc.) – carburo de silicio u óxido de aluminio
- **Metales** – esmeril u óxido de aluminio

Abrasivo	Tipo	Aplicaciones típicas
60 80	Aspero	Ideal para el lijado inicial de superficies muy rugosas. Para quitar rápidamente el material. Lijado basto para quitar la pintura y el óxido de las superficies.
100 120	Medio	Para el lijado intermedio y para lijar imperfecciones menores en la superficie.
150 180 220	Fino	Ideal para el lijado fino antes de la coloración, la imprimación o el sellado.

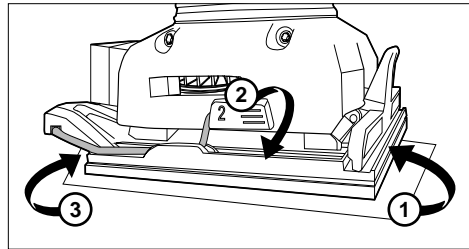
El papel de lija también se clasifica por aspereza. Comience su trabajo con un abrasivo lo suficientemente áspero para acabar con los puntos más elevados y las rugosidades excesivas. Siga con un segundo lijado usando un nivel de abrasivo uno o dos grados más fino. Continúe trabajando con abrasivos sucesivamente más finos hasta que obtenga el acabado deseado.

No pase de un abrasivo áspero a otro muy fino porque puede ser difícil borrar las marcas dejadas por el abrasivo áspero. Utilice los abrasivos más finos, que son más prácticos en la operación de poner áspera la superficie, y termínela usando abrasivos sucesivamente más finos.

### Colocación de papel de lija

Inspeccione el papel de lija antes de colocarlo en la unidad. NO lo utilice si está roto o defectuoso.

1. Desconecte la lijadora.
2. Empuje la abrazadera frontal (1) e inserte el extremo del nuevo papel de lija de 1/4 de hoja aproximadamente 6.35 mm (1/4") entre la abrazadera y la almohadilla para lijar. Libere la abrazadera frontal.
3. Abra la abrazadera trasera (2) empujando la palanca hacia arriba y fuera del broche. Abra la abrazadera por completo.
4. Envuelva la almohadilla para lijar con el papel de lija, moldeándolo a la base.
5. Alise el papel contra la almohadilla para lijar y cierre la abrazadera trasera (3). Asegúrese de que el papel esté bien estirado bajo la abrazadera trasera. Sujete la palanca en el broche de la abrazadera.
6. Pueden montarse varias hojas de papel de lija a la vez para mayor conveniencia.



### Plantilla perforadora de papel

Se ha incluido una plantilla perforadora de papel de lija para facilitar la alineación y la perforación de orificios en el papel de lija. Los orificios perforados deben alinearse con los orificios de la almohadilla de la lijadora.

1. Coloque el papel de lija en la lijadora.
2. Alinee la almohadilla de la lijadora sobre la plantilla perforadora de papel.
3. Empuje hacia abajo la lijadora.

**⚠️ ADVERTENCIA** El polvo recolectado durante el lijado de capas de acabado como poliuretano, aceite de linaza, etc., puede inflamarse por sí solo en el saco captapolvo o en otra parte, y puede causar un incendio. Para reducir el riesgo de incendio siempre vacíe con frecuencia el saco captapolvo (cada 10 ó 15 minutos) mientras está lijando, y nunca guarde ni deje la lijadora sin haber vaciado completamente el saco. También siga las recomendaciones de los fabricantes de acabados.

### Caja antipolvo con filtro

La caja antipolvo proporciona un sistema de recolección de polvo y filtración de aire para la lijadora. El polvo de lijado se succiona a través de orificios en la almohadilla para lijar y se recolecta en la caja antipolvo durante el lijado. Para utilizar la caja antipolvo:

1. Desconecte la lijadora.
2. Para insertar, deslice la tolva de la caja antipolvo en el puerto de polvo de la lijadora. Asegúrese de que las rejillas de la caja antipolvo estén orientadas hacia arriba y empuje la lijadora y la caja antipolvo firmemente para unirlos.
3. Para retirar, sujete la lijadora y la caja antipolvo firmemente y sepárelas.
4. Para vaciar, usando la pestaña de la parte, quite la tapa de caja. Vacíe el polvo de la caja antipolvo y dé pequeños golpecitos al filtro para limpiarlo. No limpie el filtro con agua ni con aire comprimido. Cambie el filtro cuando sea necesario (Cat. No. 43-31-0105).  
Para lograr un desempeño más eficiente de la unidad, vacíe el saco captapolvo antes de que se llene a la mitad. De esta manera se permite que el aire fluya mejor a través del saco. Siempre vacíe y limpie a fondo el saco captapolvo al completar una operación de lijado y antes de guardar la lijadora.

### Adaptador de manguera universal

Use el adaptador de manguera universal para unir la lijadora a una manguera de succión.

1. Desconecte la lijadora.
2. Retire la caja antipolvo de la lijadora.
3. Para insertar, deslice el adaptador en el puerto de polvo de la lijadora. Empuje la lijadora y el adaptador firmemente entre sí para unirlos. Conecte la manguera de succión al adaptador, atornillándolos entre sí para sujetarlos.
4. Para retirar, desconecte la manguera de succión del adaptador. Luego sujete la lijadora y el adaptador firmemente y sepárelos.

**⚠️ ADVERTENCIA** Cuando la lijadora no esté conectada a una aspiradora, siempre vuelva a instalar el conjunto del saco captapolvo en la lijadora. La inobservancia de esta advertencia puede causar el lanzamiento de polvo, virutas o partículas sueltas a los ojos, con las consiguientes posibles lesiones serias.

## OPERACION

**⚠️ ADVERTENCIA** Para reducir el riesgo de una lesión, desconecte siempre la herramienta antes de fijar o retirar accesorios, o antes de efectuar ajustes. Utilice sólo los accesorios específicamente recomendados. El uso de otros accesorios puede ser peligroso.

**⚠️ ADVERTENCIA** Para reducir el riesgo de una lesión, use siempre lentes de seguridad o anteojos con protectores laterales.

### Para encender y detener la herramienta

Para arrancar la lijadora, presione el botón de ENCENDIDO (I).

Para detener la lijadora, presione el botón de APAGADO (O).

**⚠️ ADVERTENCIA** El lijado final puede producir nubes de polvo fino que se pueden incendiar en presencia de chispas o llamas. Lleve siempre una máscara conveniente contra el polvo o un respirador y use su lijadora en un área bien ventilada.

**⚠️ ADVERTENCIA** Para reducir el riesgo de lesiones, inspeccione y retire todos los tornillos y sujetadores realizados de la pieza de trabajo antes de empezar a lijar. Golpear un sujetador durante el lijado puede causar la pérdida de control.

### Pautas generales para lijar con lijadoras de 1/4 de hoja

Al usar las lijadoras, hay unas cuantas cosas que hay que tener en cuenta:

- Si se varía la presión aplicada sobre la lijadora, afectará su velocidad. Se recomienda una presión ligera para trabajos finos y una presión moderada para trabajos más toscos. Si se ejerce una presión excesiva, esta hace que la almohadilla no mueva lo suficiente.
  - Mantenga la almohadilla de lijado plana sobre la pieza que se trabaja. La inclinación de la lijadora o el uso de los bordes de la almohadilla puede producir un acabado no uniforme y reduce por otra parte la vida de la almohadilla.
  - Procure mover la lijadora por la pieza de trabajo en amplios movimientos iguales. Lijar por un largo tiempo en un sólo lugar puede formar acanaladuras dando como resultado una superficie no uniforme.
1. Para evitar maltratar la superficie al encender la lijadora, coloque el interruptor en ON antes de colocar la lijadora sobre la superficie de trabajo.
  2. Trabaje con movimientos lentos y repetidos, siempre en paralelo a las vetas de la madera. Su lijadora está diseñada con el peso en forma balanceada. Si se presiona demasiado, se puede dañar la superficie y el motor al igual que desgastar muy rápidamente la lija.
  3. Repita las operaciones usando cada vez granos más finos hasta lograr el acabado deseado. Por ejemplo: Inicie con grano # 60 para el lijado áspero, siga con grano # 100 para el lijado medio y termine con grano # 150 para el lijado fino.

**⚠️ ADVERTENCIA** Asegure debidamente la pieza de trabajo antes de empezar a lijar. Si no se asegura la pieza de trabajo puede salir lanzada hacia el operador y causarle lesiones.

**⚠️ ADVERTENCIA** Ne porter ni vêtements amples, ni bijoux pendant l'utilisation de la ponceuse. Ces articles pourraient se prendre dans l'outil, risquant de causer des blessures graves. Garder la tête loin de la ponceuse et de l'endroit poncé. Les cheveux pourraient se prendre dans l'outil, ce qui pourrait entraîner des blessures graves.

#### Quitar pintura o barniz

1. Cuando quite varias capas de pintura o barniz, quite la mayor cantidad posible con un solvente de pinturas o un quitador de barnices.
2. Raspe los restos de pintura o barniz con una espátula de enmasillar u otro utensilio de raspar y permita que la superficie se enfríe y seque antes de aplicar la lijadora a la pieza de trabajo.

**⚠️ ADVERTENCIA** Para reducir el riesgo de incendio y explosiones, se deben eliminar de la pieza de trabajo los solventes de pinturas y quitadores de barnices, y la pieza debe estar totalmente seca antes de empezar a lijar.

3. Seleccione un disco de papel de lija grueso para evitar que el papel de lija se obstruya.
4. Mantenga la lijadora moviéndose por las zonas nuevas para evitar calentar y ablandar la capa antigua (de pintura o barniz).
5. Trabaje con movimientos anchos que se solapen para así conseguir un acabado uniforme.
6. Cuando la pieza de trabajo empiece a aparecer a través de la capa antigua, cambie a un disco de papel de lija medio para evitar arañar la superficie de la pieza. Cambie gradualmente a papel de lija más fino hasta que consiga el acabado deseado.

#### ACCESORIOS

**⚠️ ADVERTENCIA** Para reducir el riesgo de lesiones, siempre desconecte la herramienta antes de cambiar o retirar accesorios. Utilice únicamente accesorios específicamente recomendados para esta herramienta. El uso de accesorios no recomendados podría resultar peligroso.

Para una lista completa de accesorios, refiérase a su catálogo *MILWAUKEE* o visite nuestro sitio en Internet: [www.milwaukeetool.com](http://www.milwaukeetool.com). Para obtener un catálogo, contacte su distribuidor local o uno de los centros.

#### MANTENIMIENTO

**⚠️ ADVERTENCIA** Para reducir el riesgo de lesiones, desconecte siempre la herramienta antes de darle cualquier mantenimiento. Nunca desarme la herramienta ni trate de hacer modificaciones en el sistema eléctrico de la misma. Acuda siempre a un Centro de Servicio *MILWAUKEE* para TODAS las reparaciones.

#### Mantenimiento de las herramientas

Adopte un programa regular de mantenimiento y mantenga su herramienta en buenas condiciones. Antes de usarla, examine las condiciones generales de la misma. Inspeccione guardas, interruptores, el cable de la herramienta y el cable de extensión. Busque tornillos sueltos o flojos, defectos de alineación y dobleces en partes móviles, así como montajes inadecuados, partes rotas y cualquier otra condición que pueda afectar una operación segura. Si detecta ruidos o vibraciones anormales, apague la herramienta de inmediato y corrija el problema antes de volver a usarla. No utilice una herramienta dañada. Colóquela una etiqueta que diga "NO DEBE USARSE" hasta que sea reparada (vea "Reparaciones").

Bajo condiciones normales, no se requiere lubricación hasta que haya que cambiar los carbones. Después de 6 meses a un año, dependiendo del uso dado, envíe su herramienta al Centro de Servicio *MILWAUKEE* más cercano para que le hagan:

- Lubricación
- Inspección y cambio de carbones
- Inspección mecánica y limpieza (engranes, flechas, baleros, carcarza, etc.)
- Inspección eléctrica (interruptor, cable, armadura, etc)
- Probarla para asegurar una operación mecánica y eléctrica adecuada.

**⚠️ ADVERTENCIA** Para reducir el riesgo de lesiones, descarga eléctrica o daño a la herramienta, nunca la sumerja en líquidos ni permita que estos fluyan dentro de la misma.

#### Limpieza

Limpie el polvo y suciedad de las ventilas. Mantenga las empuñaduras de la herramienta limpias, secas y libres de aceite y grasa. Use sólo jabón neutro y un trapo húmedo para limpiar su herramienta ya que algunas sustancias y disolventes limpiadores pueden ocasionar daños a materiales plásticos y partes aislantes. Algunos de estos incluyen: gasolina, trementina, diluyente para barniz, diluyente para pintura, disolventes limpiadores clorados, amoníaco, y detergentes caseros que contengan amoníaco.

#### Reparaciones

Si su instrumento se daña, vuelva el instrumento entero al más cercano centro de reparaciones.

#### GARANTÍA LIMITADA - E.U.A. Y CANADÁ

Se garantiza al comprador original que ninguna de las herramientas eléctricas *MILWAUKEE* (incluido el producto inalámbrico, la herramienta y las baterías; consulte las declaraciones distintas y por separado en GARANTÍA LIMITADA DEL PAQUETE DE BATERÍAS INALÁMBRICAS y de las luces de trabajo y del cargador de baterías\*) presentan defectos en material ni en mano de obra. En un plazo de cinco (5) años\* a partir de la fecha de compra y sujeto a ciertas excepciones, *MILWAUKEE* reparará o reemplazará cualquier parte de una herramienta eléctrica que, luego de ser examinada, *MILWAUKEE* compruebe que presenta defectos en material o mano de obra, a menos que se indique lo contrario. Se requiere la devolución de la herramienta eléctrica a un centro de mantenimiento de la fábrica *MILWAUKEE* o a un centro de reparaciones autorizado por *MILWAUKEE*, con gastos de envío prepagados y asegurados. La devolución del producto debe estar acompañada por un comprobante de compra. Esta garantía no se aplica a los daños que *MILWAUKEE* establece que fueron ocasionados por reparaciones o intentos de reparación por parte de personal no autorizado por *MILWAUKEE*, uso indebido, alteraciones, abuso, desgaste y deterioro normal, falta de mantenimiento o accidentes.

\*El período de garantía de las radios para obras, del puerto de alimentación M12™, Fuente de poder M18™, Ventilador para obra y de las carretillas de trabajo industrial Trade Titan™ es de un (1) año a partir de la fecha de compra. El período de garantía de la lámpara de trabajo con diodo luminiscente y del foco mejorado con diodo luminiscente es una garantía VITALICIA limitada para el comprador original únicamente. Si durante el uso normal el foco de diodo luminiscente no funciona, la lámpara de trabajo o el foco mejorado se reemplazará sin carga.

\*Esta garantía no cubre las clavadoras aéreas, las engrapadoras, el paquete de pintura inalámbrico, el paquete de baterías inalámbrico, los generadores eléctricos portátiles que funcionan con gasolina, herramientas manuales, elevadores (eléctricos, con palanca y con cadenas manuales), camisas de calefacción M12™, productos reacondicionados y productos de prueba y medición. Se encuentran disponibles garantías distintas para estos productos.

No se necesita registro de garantía para obtener la garantía correspondiente de un producto eléctrico *MILWAUKEE*. La fecha de fabricación del producto se utilizará para determinar el período de garantía si no se presenta un comprobante de compra en el momento en que se solicita el servicio de garantía.

LA ACEPTACIÓN DE LOS DERECHOS A REPARACIÓN Y REEMPLAZO EXCLUSIVAMENTE DESCRITOS EN EL PRESENTE DOCUMENTO CONSTITUYE UNA CONDICIÓN DEL CONTRATO POR LA COMPRA DE CADA PRODUCTO *MILWAUKEE*. SI NO ACEPTA ESTA CONDICIÓN, NO DEBE COMPRAR EL PRODUCTO. *MILWAUKEE* NO SERÁ EN NINGÚN CASO RESPONSABLE DE DAÑOS INCIDENTALES, ESPECIALES, CONSECUENTES O PUNITIVOS, NI DE COSTOS, HONORARIOS DE ABOGADOS, GASTOS, PÉRDIDAS O DEMORAS SUPUESTAMENTE CAUSADOS COMO CONSECUENCIA DE CUALQUIER DAÑO, FALLA O DEFECTO EN CUALQUIER PRODUCTO, INCLUIDOS, A MODO DE EJEMPLO, RECLAMOS POR PÉRDIDA DE GANANCIAS, ALGUNOS ESTADOS NO PERMITEN LA EXCLUSIÓN O LA LIMITACIÓN DE DAÑOS INCIDENTALES O CONSECUENTES. POR LO TANTO, LAS LIMITACIONES Y EXCLUSIONES ANTERIORES PUEDEN NO APLICARSE PARA USTED. ESTA GARANTÍA ES EXCLUSIVA Y SUSTITUYE A TODAS LAS OTRAS GARANTÍAS EXPRESAS, ESCRITAS U ORALES. SEGÚN LO PERMITA LA LEY, *MILWAUKEE* SE EXIME DE TODA GARANTÍA IMPLÍCITA, INCLUIDOS, A MODO DE EJEMPLO, TODA GARANTÍA IMPLÍCITA DE COMERCIABILIDAD O IDONEIDAD PARA UN USO O PROPÓSITO EN PARTICULAR; EN LA MEDIDA EN QUE DICHA RENUNCIA NO ESTÉ PERMITIDA POR LA LEY, DICHAS GARANTÍAS IMPLÍCITAS ESTÁN LIMITADAS A LA DURACIÓN DE LA GARANTÍA EXPRESA APLICABLE SEGÚN SE DESCRIBE ANTERIORMENTE. ALGUNOS ESTADOS NO PERMITEN LIMITACIONES EN LA DURACIÓN DE UNA GARANTÍA IMPLÍCITA. POR LO TANTO, LA LIMITACIÓN ANTERIOR PUEDE NO APLICARSE PARA USTED. ESTA GARANTÍA LE OTORGA DERECHOS LEGALES ESPECÍFICOS Y TAMBIÉN PUEDE TENER OTROS DERECHOS QUE VARIAN DE ESTADO EN ESTADO.

Esta garantía se aplica a los productos vendidos en los EE. UU. y Canadá.

Consulte 'Service Center Search' (Búsqueda de centro de servicio' en la sección Parts & Services (Piezas y servicios) del sitio web *MILWAUKEE*, [www.milwaukeetool.com](http://www.milwaukeetool.com) o llame al 1.800.SAWDUST (1.800.729.3878) para encontrar su Centro de Servicio de la fábrica de *MILWAUKEE* más cercano.

#### PÓLIZA DE GARANTÍA - VALIDA SOLO PARA MÉXICO, AMÉRICA CENTRAL Y EL CARIBE

TECHTRONIC INDUSTRIES., garantiza por 5 años este producto a partir de la fecha original de compra. Esta garantía cubre cualquier defecto que presenten las piezas, componentes y la mano de obra contenidas en este producto Para América Central y el Caribe se debe confirmar en el Centro de Servicio Autorizado el plazo de la garantía. Para hacer efectiva la Garantía deberá presentar al Centro de Servicio Autorizado la Póliza de Garantía sellada por el establecimiento en donde adquirió el producto. Si no la tienen, podrá presentar el comprobante de compra original. Usted puede llamar sin costo al teléfono 01 800 030-7777 o por correo electrónico a la dirección [servicio.tecnico@milwaukeetool.com](mailto:servicio.tecnico@milwaukeetool.com), para ubicar el Centro de Servicio Autorizado más cercano a su domicilio, en el cual además podrá adquirir partes, componentes, consumibles y accesorios, que usted necesite.

#### Procedimiento para hacer válida la garantía

Acuda al Centro de Servicio con el producto y la póliza de garantía sellada por el establecimiento donde realizó la compra. Ahí se reemplazará cualquier pieza o componente defectuoso sin cargo alguno para el usuario final. La empresa se hace responsable de los gastos de transportación razonablemente erogados que se deriven del cumplimiento de la presente garantía.

#### Excepciones

La garantía perderá validez en los siguientes casos:

- a) Cuando el producto se hubiese utilizado en condiciones distintas a las normales.
  - b) Cuando el producto no hubiese sido operado de acuerdo con el instructivo de uso que le acompaña.
  - c) Cuando el producto hubiese sido alterado o reparado por personas no autorizadas por TECHTRONIC INDUSTRIES.
- Nota: Si el cordón de alimentación es dañado, este debe ser reemplazado por el fabricante o por un Centro de Servicio Autorizado para evitar riesgo.

ATENCIÓN A CLIENTES  
Av Presidente Mazarik 29 Piso 7, 11560 Polanco V Seccion Miguel Hidalgo, Distrito Federal, Mexico  
Tel. 52 (55) 4160-3540

IMPORTADO Y COMERCIALIZADO POR:  
TECHTRONIC INDUSTRIES MEXICO, S.A. DE C.V.  
Av Presidente Mazarik 29 Piso 7, 11560 Polanco V Seccion Miguel Hidalgo, Distrito Federal, Mexico

Modelo: \_\_\_\_\_

Fecha de Compra: \_\_\_\_\_

Sello del Distribuidor: \_\_\_\_\_

## UNITED STATES MILWAUKEE Service

MILWAUKEE prides itself in producing a premium quality product that is NOTHING BUT HEAVY DUTY®. Your satisfaction with our products is very important to us!

If you encounter any problems with the operation of this tool, or you would like to locate the *factory* Service/Sales Support Branch or *authorized service station* nearest you, please call...

### 1-800-SAWDUST

(1.800.729.3878)

Monday-Friday  
7:00 AM - 6:30 PM  
Central Time

or visit our website at

[www.milwaukeetool.com](http://www.milwaukeetool.com)

Additionally, we have a nationwide network of *authorized* Distributors ready to assist you with your tool and accessory needs. Check your "Yellow Pages" phone directory under "Tools-Electric" for the names & addresses of those nearest you or see the 'Where To Buy' section of our website.

For service information, use the 'Service Center Search' icon found in the 'Parts & Service' section.

#### Contact our Corporate After Sales Service Technical Support about ...

- Technical Questions
- Service/Repair Questions
- Warranty

call: 1-800-SAWDUST

fax: 1.800.638.9582

email: [metproductsupport@milwaukeetool.com](mailto:metproductsupport@milwaukeetool.com)

#### Register your tool online at [www.milwaukeetool.com](http://www.milwaukeetool.com) and...

- receive important notifications regarding your purchase
- ensure that your tool is protected under the warranty
- become a HEAVY DUTY club member

## CANADA MILWAUKEE Service

MILWAUKEE prides itself in producing a premium quality product that is NOTHING BUT HEAVY DUTY®. Your satisfaction with our products is very important to us!

If you encounter any problems with the operation of this tool, or you would like to locate the *factory* Service/Sales Support Branch or *authorized service station* nearest you, please call...

### 1.800.268.4015

Monday – Friday  
7:00 – 4:30 CST  
fax: 866.285.9049

#### Milwaukee Tool (Canada) Ltd

Additionally, we have a nationwide network of *authorized* Distributors ready to assist you with your tool and accessory needs. Call 1.800.268.4015 to find the names and addresses of the closest retailers or consult "Where to buy" on our website [www.milwaukeetool.ca](http://www.milwaukeetool.ca)

MILWAUKEE est fier de proposer un produit de première qualité NOTHING BUT HEAVY DUTY®. Votre satisfaction est ce qui compte le plus!

En cas de problèmes d'utilisation de l'outil ou pour localiser le centre de service/ventes ou le *centre d'entretien* le plus proche, appelez le...

### 1.800.268.4015

Lundi – Vendredi 7:00 – 4:30 CST  
fax: 866.285.9049

#### Milwaukee Tool (Canada) Ltd

Notre réseau national de distributeurs *agrés* se tient à votre disposition pour fournir l'aide technique, l'outillage et les accessoires nécessaires. Composez le 1.800.268.4015 pour obtenir les noms et adresses des revendeurs les plus proches ou bien consultez la section «Où acheter» sur notre site web à l'adresse [www.milwaukeetool.ca](http://www.milwaukeetool.ca)

## MEXICO - Soporte de Servicio MILWAUKEE

### CENTRO DE ATENCION A CLIENTES

Techtronic Industries Mexico, S.A. de C.V.  
Av. Presidente Masarik 29 Piso 7  
11560 Polanco V Seccion

Miguel Hidalgo, Distrito Federal, México  
01 (800) 030-7777 o (55) 4160-3540  
Lunes a Viernes (9am a 6pm)

O contáctanos en [www.milwaukeetool.com.mx](http://www.milwaukeetool.com.mx)

Para información de Centros de Servicio busca el icono "Servicio al cliente"- "Contáctanos"

### Contacta nuestro servicio técnico para....

- Preguntas Técnicas
- Asesoría, servicio y reparación
- Garantía

Adicionalmente, tenemos una red nacional de distribuidores autorizados listos para ayudarle con su herramienta y sus accesorios. Por favor, llame al 01 800 030-7777 o envíe correo a [servicio.tecnico@milwaukeetool.com](mailto:servicio.tecnico@milwaukeetool.com) para obtener los nombres y direcciones de los más cercanos a usted, o consulte la sección "Dónde Comprar" en nuestro sitio web [www.milwaukeetool.com.mx](http://www.milwaukeetool.com.mx)

## MILWAUKEE TOOL

13135 West Lisbon Road • Brookfield, Wisconsin, U.S.A. 53005

58-14-6033d1

05/15

Printed in China  
961011607-01(B)