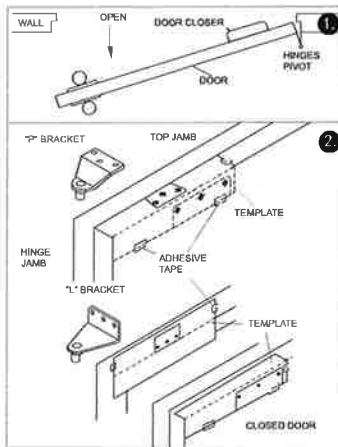


IMPORTANT: These instructions were prepared to provide you information on how to install your door closer correctly. Please read these instructions carefully before attempting to install your door closer.

- Before proceeding:
 - a. Check all parts included in package according to parts list printed on separate page.
 - b. Pull off body cover and disconnect "L" bracket from arm assembly.
 - c. Tools required: #3 Phillips screwdriver, flat head screwdriver, 1/8", 5/32" and #16 drill bits, drill, adhesive tape, hammer and punch.

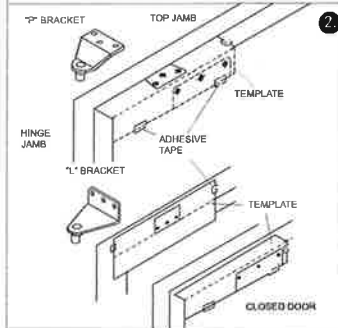
LEFT HAND INSTALLATION

RIGHT HAND INSTALLATION



1. DETERMINE LOCATION OF DOOR CLOSER

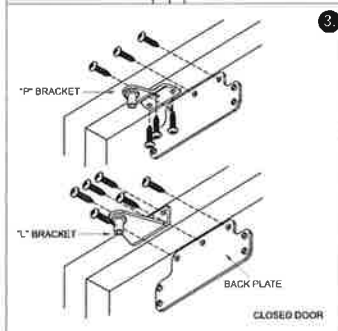
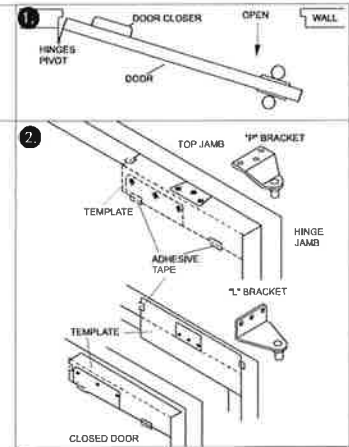
- a. Determine if you have a left or right hand door.
- b. Closer must be installed on the **PUSH SIDE**.



2. MARK DOOR FOR INSTALLATION

- a. Choose proper template for right or left hand using either the "L" bracket or "P" bracket.
- b. Place template on top jamb of **CLOSED DOOR**, use tape to hold the template in place.
- c. Use hammer and punch to mark the center of each screw hole then remove template.

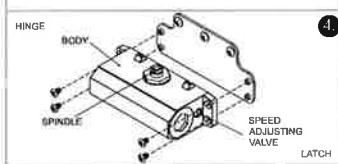
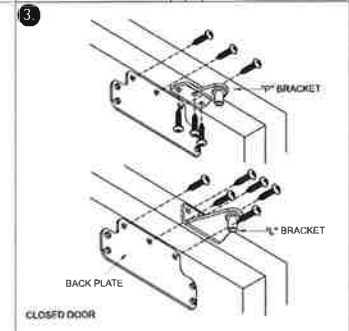
PREPARATION FOR FASTENERS				
FASTENERS	DOOR OR FRAME	DRILL SIZES	WHERE USED	DRILL DEPTH
12-24 Machine Screws	Hollow Metal	#16 (.177") Drill Bit & 12 - 24 Tap	Closer & "P" and "L" Brackets	5/8"
Wood Screws	Wood	1/8" Drill Bit - Softwood 5/32" Drill Bit - Hardwood	Closer & "P" and "L" Brackets	1 - 1/4"



3. INSTALL BACK PLATE AND BRACKET

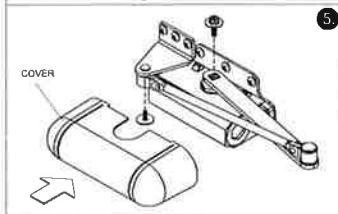
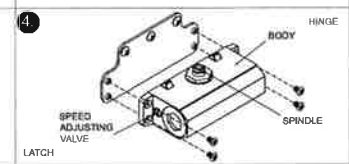
On steel and aluminum doors and frames use machine screws (Parts List #10).
On wood doors and frames use wood screws (Parts List #11).

- a. Place back plate with "THIS SIDE TO DOOR" towards door and tighten securely with (3) screws. (Parts List #10 or #11)
- b. Place bracket on top jamb and tighten securely with (3) screws. (Parts List #10 or #11)



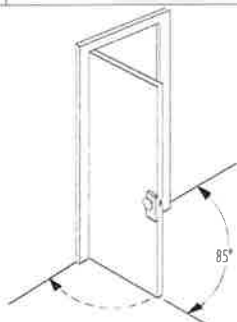
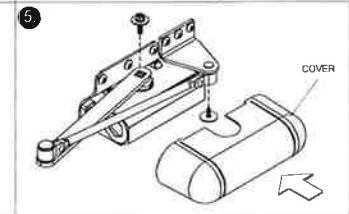
4. MOUNT DOOR CLOSER

Mount door closer to back plate and securely tighten (4) machine screws. (Parts List #9) **Make sure the speed adjusting valve faces the latch side of the door.** **IMPORTANT: If door closer is mounted upside down the door will NOT open.**



5. INSTALL ARM ASSEMBLY

- a. Attach square hole of arm to spindle of closer and tighten securely with washer and machine screw. (Parts list #7 and #8)
- b. With the door closed, rotate arm and attach to installed bracket and tighten with machine screw and washer. (Parts list #12 and #13)
- c. If a faster or slower closing speed is required, use a flat-head screwdriver to turn the speed adjusting valve until the desired speed is obtained. (Clockwise - Slower or Counter Clockwise - Faster)
- d. Put cover on closer body.



This door closer has a built in, non-adjustable hold open feature. If the door is opened beyond 85 degrees, the door will remain open until it is pulled back to less than the 85 degrees, then it will close automatically.