

# HOME DECORATORS COLLECTION

## INDUSTRIAL MANSARD STOOL

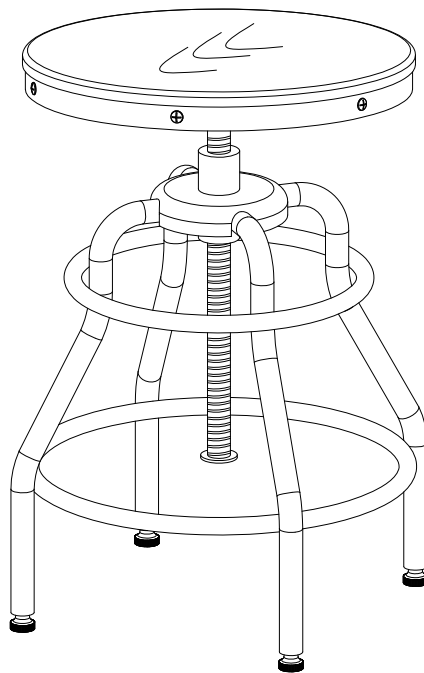
### Assembly Instructions

---

HDC#:1002953296 MFG#:OME-55013

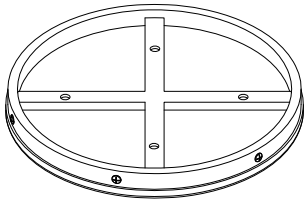
Please read over the instructions; it will be a time-saver in the long run.

Note: Before Assembly, please be sure to work on a soft flat surface to avoid any damage to the finish.

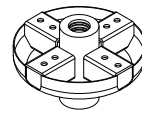


# Parts Check List

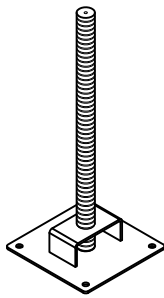
Please remove all the parts carefully from the box. Thoroughly clean all parts surfaces to remove dust and dirt that may have settled onto the finish.



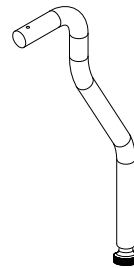
① seat panel - 1 PC



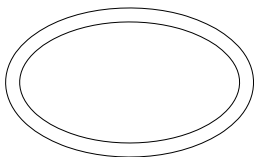
② Round plate - 1 PC



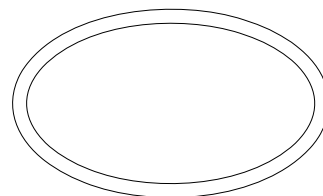
③ Screw - 1 PC



④ Leg tube - 4 PCS



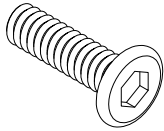
⑤ Small ring - 1 PC



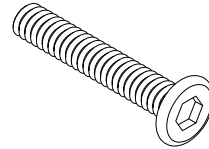
⑥ Large ring - 1 PC

# Hardware Check List

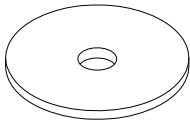
Please take all hardware out of the hardware bag.



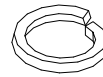
A. Allen bolt - 13 PCS  
1/4"× 3/4"



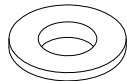
B. Allen bolt - 8 PCS  
1/4"× 1-1/2"



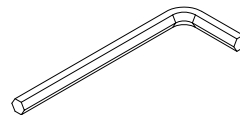
C. Flat washer - 1 PC  
3.0×  $\phi$ 40



D. Spring washer - 21 PCS  
1.5×  $\phi$ 8



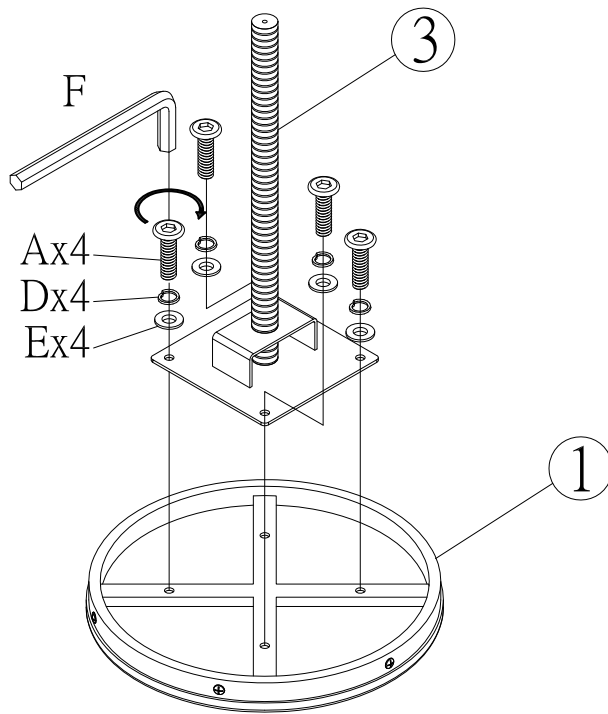
E. Flat washer - 12 PCS  
 $\phi$ 13× 1.0



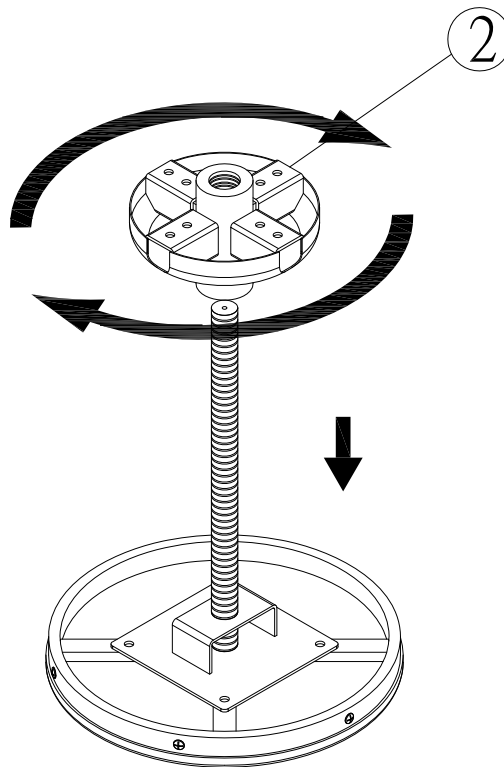
F. Allen wrench - 1 PC  
M4

Do not tighten screws until completely assembled!!

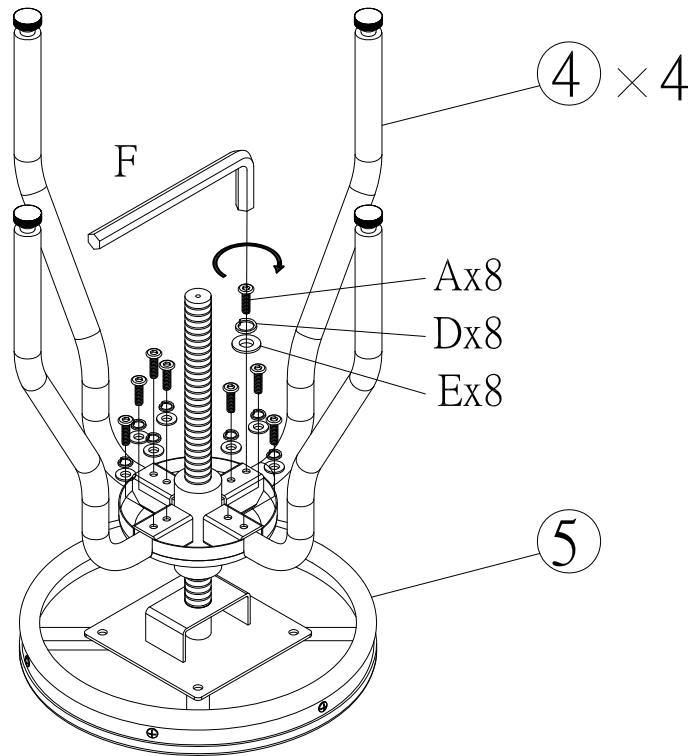
Step:1



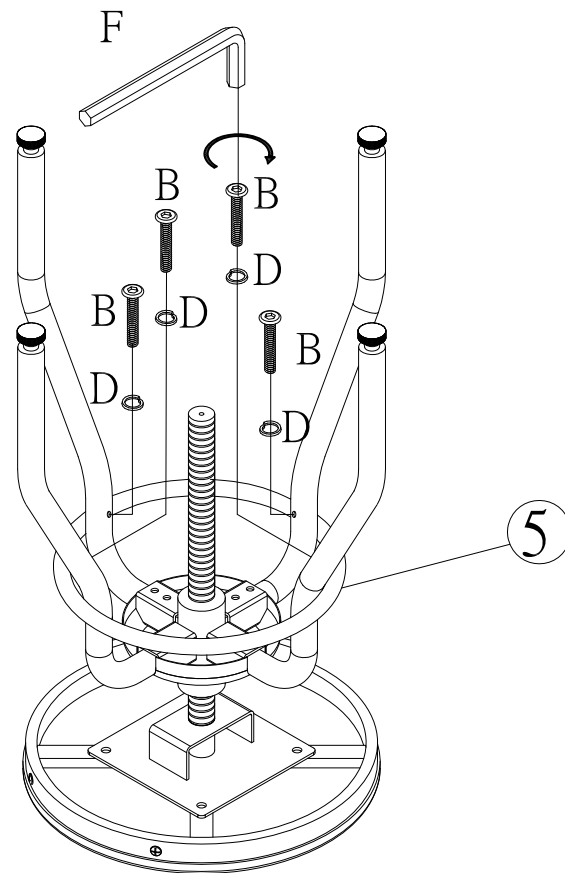
Step:2



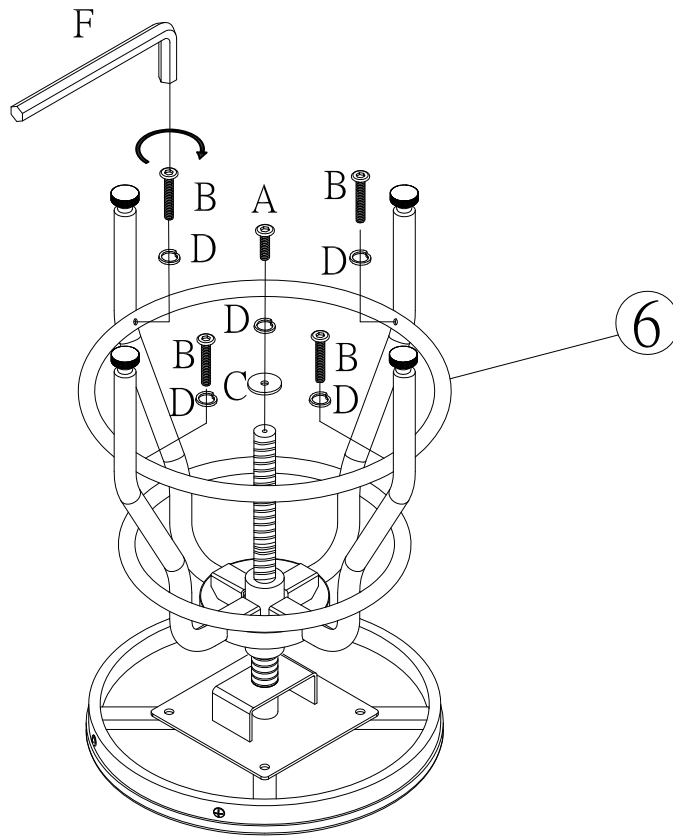
Step:3



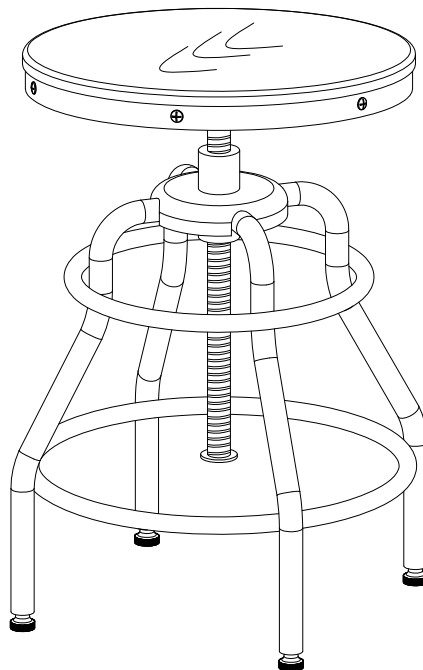
Step:4



Step:5



Step:6



Assembly is completed!

# HOME

## DECORATORS

### COLLECTION

## Care and Cleaning

- For best results, clean the furniture with a damp cloth and dry thoroughly. This will help prevent mildew by removing dirt particles that may accumulate.
- Do not clean with abrasive materials, bleach, or solvents.
- Store the furniture in a dry sheltered place when not in use.
- Keep the furniture out of fire, extreme heat, freezing conditions, and inclement weather such as rain, hail, sleet, snow, or wind.

Note: Periodically check bolts and re-tighten as necessary. Keep Allen Wrench and Screw Driver for future use. Retain this manual for future use.