

ELKAY[®]

SPECIFICATIONS

Gourmet™ Single Bowl Sink Model ESE202010

GENERAL

Good quality sink formed of #20 (1.0mm) gauge, type 304 (18-8) nickel bearing stainless steel. Self-rimming.

DESIGN FEATURES

Bowl Depth: 10" (254mm).

Coved Corners: 3" (76mm) vertical radius, 2-1/4" (57mm) horizontal radius.

Finish: Exposed surfaces are polished to a bright satin finish.

Underside: Fully undercoated to dampen sound and reduce condensation.

OTHER

Drain Opening: 3-1/2" (89mm).

Note: Unless otherwise specified, sink is furnished with 3 faucet holes as shown.

Installation hardware for 3/4" (19mm) thick countertop included.

This sink complies with ASME A112.19.3-08/CSA B45.4-08.

OPTIONAL ACCESSORIES

Bottom Grid: LKWBG1415SS.

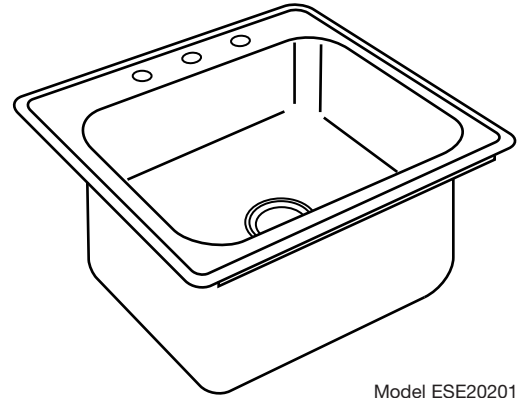
Cutting Board: CB1516.

Drain: LK99.

Installation hardware for thicker countertops: LK363 (up to 1-1/2" [38mm] thick; LK463 (up to 2-1/2" [66mm] thick).

Rinsing Baskets: LKWRB1316SS, LKWERBSS.

Utensil Caddy for Rinsing Basket: LKWUCSS.

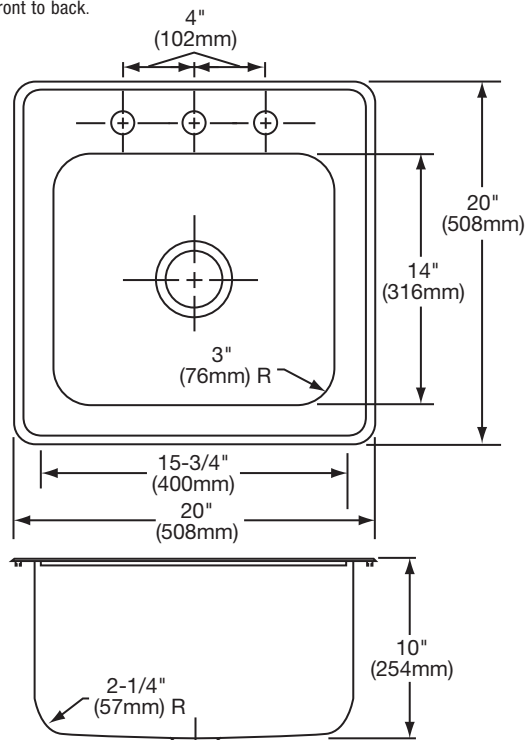


Model ESE2020103

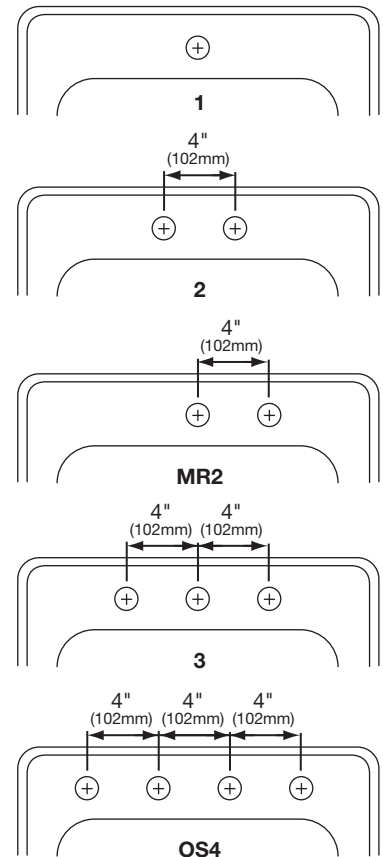
SINK DIMENSIONS*

Model Number	Overall		Inside Each Bowl			Cutout in Countertop 1 1/2" (38mm) Radius Corners		No. of 1 1/2" (38mm) Dia. Faucet Holes	Minimum Cabinet Size
	L	W	L	W	D	L	W		
ESE202010	20 (508mm)	20 (508mm)	15 3/4 (400mm)	14 (356mm)	10 (254mm)	19 3/8 (492mm)	19 3/8 (492mm)	1, 2, MR2, 3 or OS4	24 (610mm)

*Length is left to right. Width is front to back.



HOLE DRILLING CONFIGURATIONS



In keeping with our policy of continuing product improvement, Elkay reserves the right to change product specifications without notice. Please visit elkayusa.com for most current version of Elkay product specification sheets.

This specification describes an Elkay product with design, quality and functional benefits to the user. When making a comparison of other producers' offerings, be certain these features are not overlooked.

Elkay

elkayusa.com

2222 Camden Court
Oak Brook, IL 60523

Printed in U.S.A.
©2008 Elkay

(Rev. 11/08) 1-167B