

**— WORK BOX XTR8000 —**

## **ELECTRONIC PORTABLE HEATER**

### **Operator's Manual**

**WARNING! IF THE INFORMATION IN THIS MANUAL IS NOT FOLLOWED EXACTLY, A FIRE MAY RESULT CAUSING PROPERTY DAMAGE, PERSONAL INJURY OR LOSS OF LIFE.**



**Intertek**

Made in China

**FOR YOUR SAFETY  
DO NOT STORE  
OR USE GASOLINE OR  
OTHER FLAMMABLE VAPORS  
OR LIQUIDS  
IN THE VICINITY OF THIS OR  
ANY OTHER APPLIANCE**

Comfort Home Products, Inc.  
12256 William Penn Hwy, Ste A  
Huntingdon, PA 16652

DURA HEAT PHONE NUMBER: (814) 643-1775  
<http://www.worldmktng.com.com>

UL 2021. FIXED AND LOCATION –DEDICATED ELECTRIC ROOM HEATERS

**DO NOT DISCARD THIS MANUAL  
CUSTOMER: PLEASE RETAIN THIS MANUAL FOR FUTURE USE**

# IMPORTANT INSTRUCTIONS

**Read all instructions in this guide before using your Heater. This product is intended for indoor residential, office and personal shop use only, not for industrial or other commercial applications. Use only with electrical wiring that is in good working order and that meets applicable codes and ordinances. If you have any questions whether your wiring is adequate, consult a qualified electrician.:**

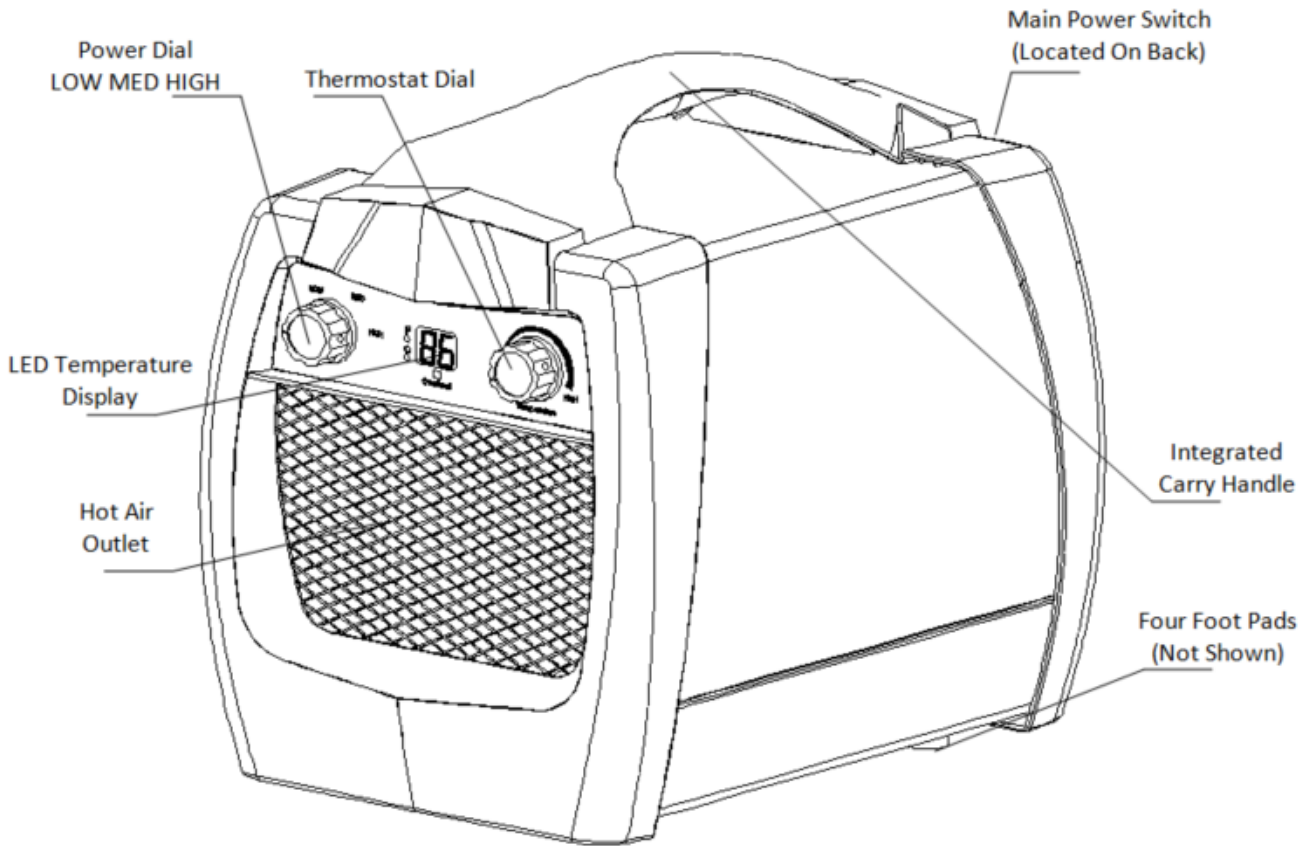
1. Read all instructions before using this heater.
2. This heater is hot when in use. To avoid burns, do not let bare skin touch hot surfaces. If provided, use handles when moving this heater. Keep combustible materials, such as furniture, pillows, bedding, papers, clothes and curtains at least 3 feet (0.9m) from the heater.
3. Extreme caution is necessary when any heater is used by or near children, pets or invalids and whenever the heater is left operating unattended.
4. Always unplug heater when not in use.
5. Do not operate any heater with a damaged cord or plug or after the heater malfunctions, has been dropped or damaged in any manner.
6. Any repairs to this appliance should be carried out by a qualified service person.
7. Under no circumstances should this appliance be modified. Parts having to be removed for servicing must be replaced prior to operating this appliance again.
8. Do not use outdoors.
9. Use your heater only in dry environments. This heater is not intended for use in bathrooms, laundry areas and similar indoor locations. Never locate the heater where it may fall into a bathtub or other water container. Do not use your heater outdoors. Do not use near sinks, swimming pools or other damp areas such as flooded basements, garages, etc or anyplace where the heater could come in contact with water.
10. Do not run cord under carpeting. Do not cover cord with throw rugs, runners, or similar coverings. Arrange cord away from traffic area and where it will not be tripped over.
11. To disconnect heater, first turn controls to off, then remove plug from outlet. Always unplug the heater when not in use.
12. Connect to a properly grounded outlets only.
13. Do not insert or allow foreign objects to enter any ventilation or exhaust opening as this may cause an electrical shock or fire, or damage the heater.
14. To prevent a possible fire, do not block air intakes or exhaust in any manner. Do not use on soft surfaces, like a bed, where openings may become blocked.
15. This appliance has hot and arcing or sparking parts inside. Do not use it in areas where gasoline, paint or flammable liquids are used or stored.
16. Use this heater only as described in this manual. Any other use not recommended by the manufacturer may cause fire, electric shock, or injury to persons.
17. Avoid the use of an extension cord because the extension cord may overheat and cause a risk of fire. 18. This heater may include an audible (a visual) alarm to warn that parts of the heater are getting excessively hot. If the alarm sounds (flashes), immediately turn the heater off and inspect for any objects on or adjacent to the heater that may cause high temperatures. **DO NOT OPERATE THE HEATER WITH THE ALARM SOUNDING (FLASHING).**
19. **“SAVE THESE INSTRUCTIONS”**

## **ALWAYS OBSERVE THESE SAFETY PRECAUTIONS WHEN OPERATING YOUR ELECTRIC HEATER**

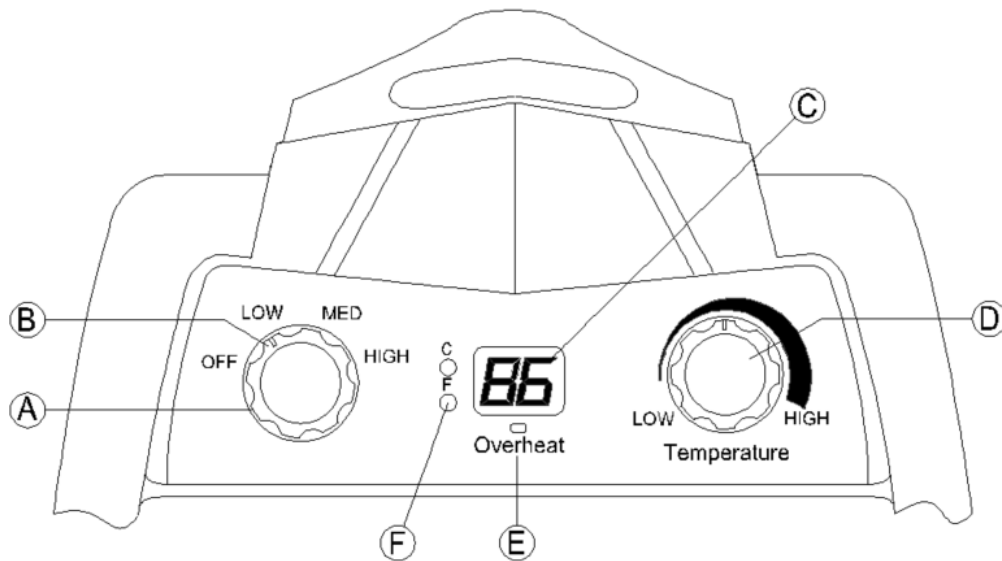
- ALWAYS** Read all instructions before operating.
- ALWAYS** Locate your electric heater away from furniture or loose hanging drapes.
- ALWAYS** Keep the rear grill away from walls or drapes so as not to block the air intake. (If applicable)
- ALWAYS** Unplug electric heater when not in use.
- ALWAYS** Use electric heater on a flat dry surface.
- ALWAYS** Route the cord so it will not be walked on tripped over or pinched by furniture.
- ALWAYS** Keep electrical cords, drapes and other furnishings away from your electric heater.
- ALWAYS** Keep your electric heater clean and the filter free of dust. (If applicable)
- ALWAYS** Use indoors only.
  
- NEVER** Place drapes, clothing or towels over electric heater to dry.
- NEVER** Use in the presence of explosive or flammable vapors such as gas or paint.
- NEVER** Plug another electrical appliance into the same circuit. Blown fuses, tripped circuits and fire hazards may result.
- NEVER** Use water or liquids to clean your electric heater.
- NEVER** Let bare skin touch hot surfaces as this may cause burns.
- NEVER** Leave electric heater unattended.
- NEVER** Leave electric heater when children or pets are present.
- NEVER** Locate electric heater where it may fall into a bath tub or other water containers.
- NEVER** Operate electric heater with a damaged cord, plug or after the heater malfunctions, or has been dropped or damaged in any manner.
- NEVER** Run cord under carpeting or cover with throw rugs or runners.
- NEVER** Insert or allow foreign objects to enter any ventilation or exhaust openings, as this may cause an electrical shock, fire or damage.

# SPECIFICATIONS

Voltage	120V AC 60HZ; 12.6 Amps
Heating Power	1500 Watts
Temperature Control Range	60-90°F
Heating Element	Infrared PTC Heater
Coverage	Up to 1,000 square feet
Dimensions	13.1" Wide x 16.5" Deep x 16.9" High
Weight	18.96 Lbs
LCD Display	
Tip-Over safety switch automatically shuts heater down if it tips over	



## OPERATION



A: Power/Fan Speed: Turn on or turn off the heater and fan

B: Fan Setting: Adjust the fan to function at Low, Medium or High mode.

C: LED Temperature Display: Displays set temperature and error code.

D: Temperature Setting Dial: Adjust the temperature between 59-86°F(15-30°C)

E: Overheat Indicator: Lights up if overheat auto-shutoff is activated

F: Celsius/Fahrenheit Display: Push in on the Temperature Setting Dial to change the LED Temperature Display from Fahrenheit to Celsius.

Always operate the heater in the upright position following all instructions and recommendations listed in this manual.

Heater Location:

Place the heater in the area of the room that is the coldest.

### HEATER CONNECTION

Plug heater directly into 120 volt A.C. 60 Hz outlet. Be sure the plug fits tightly in outlet. A loose connection may cause overheating and damage to the plug or heater.

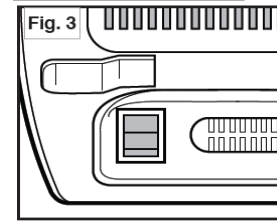
**NOTE:** To prevent overloading a circuit, do not plug heater into a circuit that is servicing other electrical needs.

**NOTE:** The heater may emit a slight harmless smoke when first used. This smoke is a normal condition caused by initial heating of the infrared element. It will occur only briefly and is not harmful.

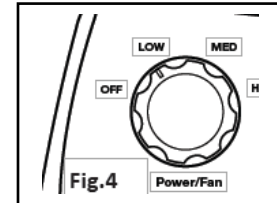
# OPERATION

Position: Find a level and unobstructed location to place the unpackaged heater.

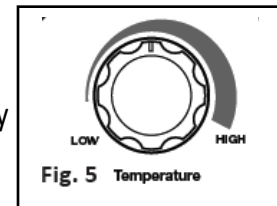
Set ON/OFF switch to ON: Press the switch located on the rear of the heater the ON position (I). This provides electricity to the unit. (See Fig. 3).



Turn the Power/Fan Speed Dial to desired fan setting (LOW, MEDIUM, HIGH). The first time you turn the heater on; it will display the Highest temperature Setting of 86°F. (See Fig. 4)



Adjust Temperature Setting: Turn the Temperature Setting Dial to adjust the temperature setting from 50-89°F. The first time you turn the dial, the LED will begin flashing at a default of 86°F. Turn the dial to the left or right to decrease or increase the temperature setting. After you stop turning the dial, the LED temperature display will flash for three seconds, then the temperature will be set. (See Fig. 5)



When adjusting the Temperature Setting, you must select a temperature at least two degrees higher than the actual temperature shown on the LED Temperature Display, or the heating element will not turn on.

When you adjust the Temperature Setting, the number on the display will flash for three seconds. Adjusting the Temperature Setting more than two degrees below the actual temperature will cause the heating element to turn off. The fan will continue to run.

- Turn off the heater: turn the Power/Fan Speed Dial to the OFF position. The fan will continue to run until all of the heat has been expelled and will then turn off.
- To change the Temperature Setting display from °F to °C, press in on the Temperature Setting Dial for two seconds. Press in on the dial again to change from °C to °F.

**NOTE:** If the heater is tipped over in any direction (frontward, backwards, sideways) while running, it will shut off. Return it to an upright position and turn the Power/Fan Speed Dial to OFF. Turn Main Power Button on rear off the on. Turn the dial back on and the heater will resume normal operation.

## CARE AND MAINTENANCE



**CAUTION: BEFORE CLEANING THE HEATER BE SURE TO DISCONNECT POWER CORD AND ALLOW THE HEATER TO COOL COMPLETELY**

**IMPORTANT:** The lifetime washable air filter **MUST** be cleaned as needed to ensure maximum performance of the heater. Failure to clean the air filter as needed may result in diminished performance and/or failure of the heater.

Check the air filter after each use. If dirt, dust or sediment is visible on the filter, it needs to be cleaned.

Clean the air filter at minimum according to the following schedule:

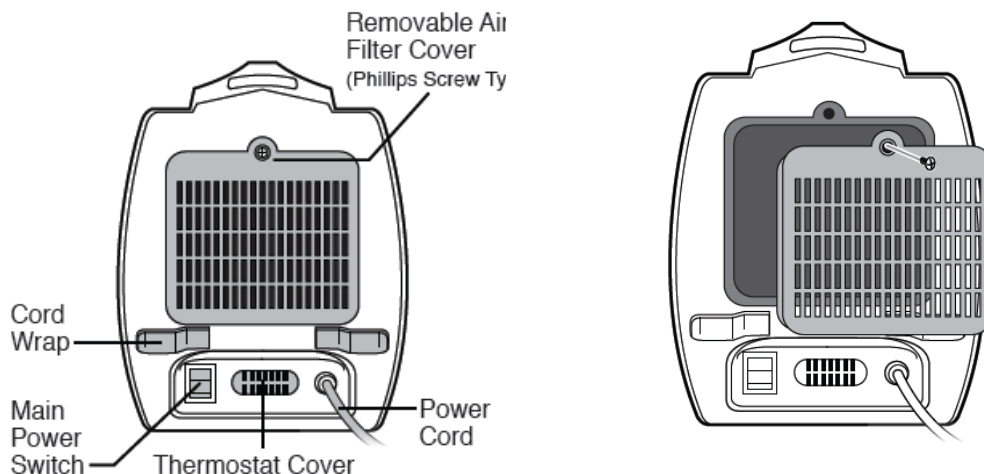
- Heavy use (daily use and/or use in a highly dusty or dirty environment): Clean daily.
- Medium use (several times a week use and/or use in a dusty or dirty environment): Clean weekly or as needed.
- Light use (occasional use in a clean environment): Clean every other week or as needed.

Remove the filter by unscrewing the screw and opening the filter cover on the back of the heater and carefully pulling the filter out.

Clean the filter by vacuuming it with an attachment, or run warm water over it to remove dust. Run the water in the opposite direction of the air flow until the water runs clear.

The filter might excrete some filtered residue, so be cautious not to drip on any stainable surfaces such as carpeting. You can also soak the filter in water mixed with a small amount of mild dish soap (don't forget to rinse with water after soaking the filter).

**CLEAN THE AIR FILTER FREQUENTLY OR THE HEATER MAY FAIL. CLEAN DAILY IF USING IN A HIGH DUST OR DIRT ENVIRONMENT.**



## TROUBLESHOOTING/FREQUENTLY ASKED QUESTIONS

### QUESTION:

### ANSWER:

Why does the blower fan keep running after I have turned off the power button?	The blower fan will continue to run until the heating element has cooled down. After a few minutes the fan will shut off automatically.
Why has the heater airflow seem to have diminished?	Make sure the rear intake is not blocked and that the filter is clean. Follow the filter maintenance procedure to clean the filter
The heater has shut itself off and a red LED light (OVERHEAT) is illuminated on the front of the heater. What does this mean?	The overheat safety devise has been triggered. Turn main power switch off, unplug unit from outlet. Check filter and clean if necessary. After 30 minutes plug unit back into receptacle and turn main power back on. If unit is still not functioning Call Customer Service at 800-776-9425. DO NOT attempt the repair the heater yourself.
Can I use the heater to heat multiple rooms at the same time?	Yes. Keep in mind the heating will vary based on how open your floor plan is and the sizes of the rooms involved. In some cases, running a ceiling fan will help in heating multiple rooms simultaneously by placing the unit in a central room
My home is not insulated very well, will this heater help me?	Yes, but it will take a little longer to heat the room initially and the outside temperature will also have an impact on heating time. Once the room has reached the desired temperature it will cycle on and off accordingly
Can the heater be used in a bathroom?	It is not recommended due to the high level of moisture in a bathroom.
Will I be able to use the heater in a basement or garage?	Yes, but keep in mind that rooms with little insulation will not retain the heat as efficiently. Bare concrete floors which act as a heat sink with any type of heating will absorb some of the heat. Placing the heater a few feet above the floor will allow for more efficient heating. Do not use the heater in a damp environment such as a flooded basement.
Can I use more than one heater at a time?	Yes, but you should make sure they are not on the same circuit. Each heater and appliance should be on its own circuit



# TROUBLESHOOTING/FREQUENTLY ASKED QUESTIONS

QUESTION:

ANSWER:

<p>Can I move the heater around while it is operating?</p>	<p>It is not recommended to move any portable heater while it is operating. We recommend moving the heater only once the fan has completely turned off.</p>
<p>Can I use the heater and another appliance at the same time?</p>	<p>Yes, as long as they are not on the same circuit. You should not run more than one large appliance on a single circuit breaker. Your freezer, refrigerator, microwave oven, washing machine, dryer, and other such appliances should not share a circuit breaker.</p>
<p>Can I use an extension cord, surge protector, or power strip with my heater?</p>	<p>It is not recommended. It is designed to plug directly into a grounded 120 volt 15 amp circuit receptacle. However, if you have to use an extension cord, the cord should be No. 14 AWG minimum size and rated not less than 1875 watts. The extension cord should be a 3 wire cord with a grounding type cord and plug connector.</p>
<p>I don't have a grounded outlet; can I use a cord adaptor or remove the grounding plug?</p>	<p>NO. If you don't have a grounded outlet, contact a licensed electrician in your area for advice. Removing or altering any part of the heater is unsafe and also will void the warranty.</p>
<p>An error code message (E1, E2, E3, E4) has appeared on the display. What should I do?</p>	<p>E1: PCB is damaged-Call Customer Service  E2: Abnormally High Temperature-Unplug unit and allow to cool.  E3: Temp sensor circuit open-Call Customer Service  E4: Temp sensor circuit shorted-Call Customer Service  1-800-776-9425. DO NOT attempt to repair the heater yourself.</p>

# **PORTABLE ELECTRIC HEATER WARRANTY**

## **LIMITED WARRANTY:**

A limited warranty is extended to the original purchaser of this heater and warrants against malfunction due to manufacturing defects for a period of (1) one year from the date of retail purchase. Please read and follow all details noted below.

## **CLAIMS HANDLED AS FOLLOWS:**

### **1. WITHIN 30 DAYS OF PURCHASE:**

Return to the place of purchase.

### **2. AFTER 30 DAYS AND WITHIN THE 1 YEAR WARRANTY PERIOD:**

Contact our Customer Service Department at 1-800-776-9425.

You must have the model number, serial number and date of purchase. They will provide you with further instructions, which will include repair or replacement at our option.

**CALL 1-800-776-9425 FOR SERVICE (9AM-6PM MON.-FRI.)**

**or EMAIL US AT [techsupport@worldmktng.com](mailto:techsupport@worldmktng.com)**

## **DUTIES OF THE OWNER:**

This heating appliance must be operated in accordance with the written instructions furnished with this heater. This warranty shall not excuse the owner from properly maintaining this heater in accordance with the written instructions furnished with this heater. A bill of sale, cancelled check or payment record must be kept to verify purchase date and establish warranty period. Original carton should be kept in case of warranty return of unit.

## **WHAT IS NOT COVERED:**

1. Damage caused by misuse or use contrary to the owner's manual and safety guidelines.
2. Damage caused by a lack of normal maintenance.
3. Repair by an unauthorized person.
4. Damage caused by connection to an improper voltage.
5. Damaged caused by use outdoors.

**LIMITATIONS:**

This warranty does not imply or assume any responsibility for consequential damages that may result from the use, misuse, or the lack of routine maintenance of this heating appliance. A cleaning fee and the cost of parts may be charged for appliance failures resulting from lack of maintenance. This warranty does not cover claims, which do not involve defective workmanship or materials. FAILURE TO PERFORM GENERAL MAINTENANCE (INCLUDING CLEANING) WILL VOID THIS WARRANTY.

THIS LIMITED WARRANTY IS GIVEN TO THE PURCHASER IN LIEU OF ALL OTHER WARRANTIES, EXPRESSED OR IMPLIED, INCLUDING BUT NOT LIMITED TO THE WARRANTIES OF MERCHANTABILITY OF FITNESS FOR A PARTICULAR PURPOSE. THE REMEDY PROVIDED IN THIS WARRANTY IS EXCLUSIVE AND IS GRANTED IN LIEU OF ALL OTHER REMEDIES. IN NO EVENT WILL WORLD MARKETING OF AMERICA BE LIABLE FOR INCIDENTAL OR CONSEQUENTIAL DAMAGES.

Some states do not allow limitations on how long an implied warranty lasts, so the above limitation may not apply to you. Some states do not allow the exclusion or limitation of incidental or consequential damages so the above limitation or exclusion may not apply to you.

**For your record, staple your sales receipt to this manual and record the following**

**DATE OF PURCHASE:** \_\_\_\_\_

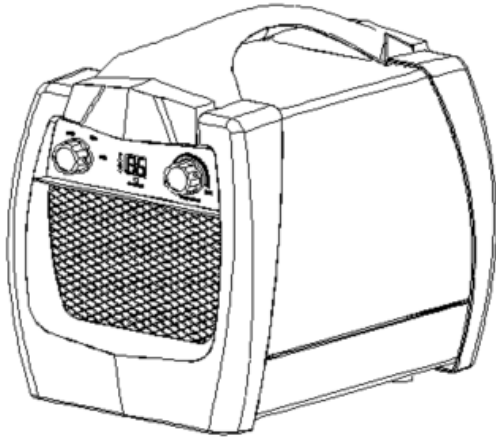
**PLACE OF PURCHASE:** \_\_\_\_\_

**SERIAL NUMBER:** \_\_\_\_\_

**MODEL NUMBER:** \_\_\_\_\_



**WORK BOX XTR8000**



## Calentador eléctrico PORTÁTIL

### Instrucciones de instalación y el Manual de Propietario

**¡ADVERTENCIA! SI LA INFORMACION EN ESTE MANUAL no ES SEGUIDA EXACTAMENTE, UN RESULTADO del FUEGO mayo que CAUSA DAÑO de PROPIEDAD, HERIDA O PERDIDA PERSONALES DE la VIDA.**



Hencho in China

Comfort Home Products, Inc.  
12256 William Penn Hwy, Ste A  
Huntingdon, PA 16652

#### PARA SU SEGURIDAD

No ALMACENE ni UTILICE GASOLINA ni OTROS  
VAPORES de FLAMABLE ni los LIQUIDOS EN LA  
VECINDAD DE ESTE ni CUALQUIER OTRO  
APARATO

DURA HEAT PHONE NUMBER: (814) 643-1775  
<http://www.worlddmkting.com>

UL 2021. FIXED AND LOCATION –DEDICATED ELECTRIC ROOM HEATERS

**No DESECHE ESTE MANUAL - HOJA PARA el PROPIETARIO  
CLIENTE: RETENGA POR FAVOR ESTE MANUAL PARA FUTURO USO**

# INSTRUCCIONES IMPORTANTES

**POR FAVOR LEA Y GUARDE ESTAS INSTRUCCIONES DE SEGURIDAD** Cuando se usan aparatos eléctricos, siempre las precauciones básicas deben ser seguidas para reducir el riesgo de incendio, descarga eléctrica y lesiones a personas, incluyendo las siguientes:

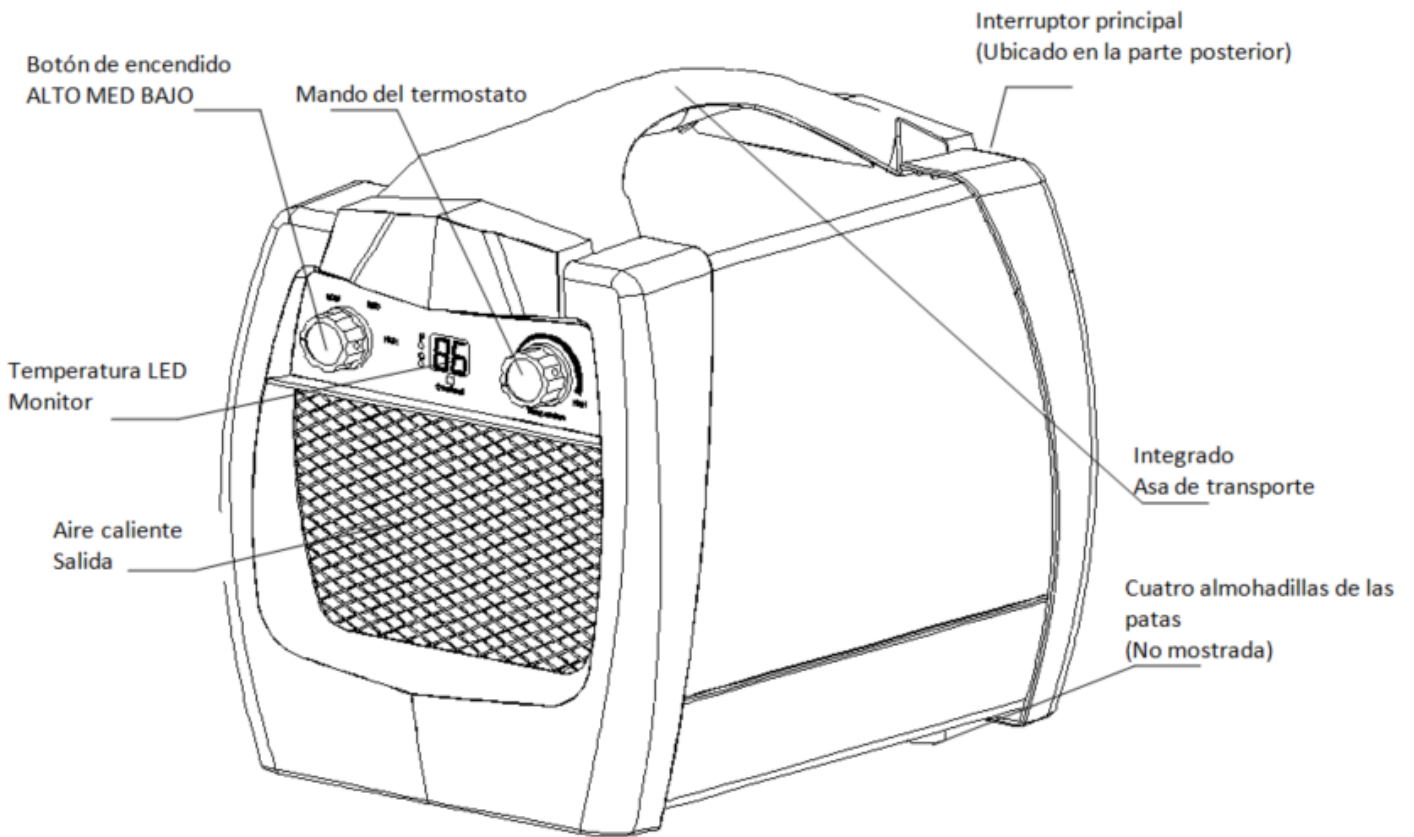
1. Lea todas las instrucciones antes de usar el calentador.
2. Este calentador está caliente cuando está en uso. Para evitar quemaduras, no permita que la piel desnuda toque las superficies calientes. Si tiene mangos, utilice al mover este calentador. Mantenga los materiales combustibles, tales como muebles, almohadas, ropa de cama, papeles, ropa y cortinas por lo menos 3 pies (0.9 m) del calentador.
3. que extremar la precaución cuando se use cualquier calentador por o cerca de niños, mascotas o inválidos y los niños cada vez que se deja el calentador funcionando sin vigilancia.
4. Siempre desconecte el calentador cuando no esté en uso.
5. No haga funcionar ningún calentador con un cable o enchufe dañado o después de que haya funcionado mal, se haya caído o dañado de alguna manera.
6. Cualquier reparación a este aparato deben ser realizadas por un técnico de servicio calificado.
7. Bajo ninguna circunstancia debe modificarse este aparato. Piezas que tienen que ser retirado por el servicio deben ser reemplazados antes de operar este aparato nuevo.
8. No use al aire libre.
9. Utilice el calentador sólo en ambientes secos. Este calentador no se debe de usar en baños, áreas de lavado y recintos similares. Nunca coloque el calentador donde pueda caer en una bañera u otro recipiente con agua. No utilice el calentador al aire libre. No utilizar cerca de fregaderos, piscinas u otros lugares húmedos como sótanos inundados, garajes, etc en otros lugares donde el calentador podría entrar en contacto con agua.
- 10 No coloque el cable debajo de alfombras. No cubra el cable con tapetes, alfombras o cubiertas similares. Coloque el cable lejos de zonas transitadas y donde no pueda provocar tropezones.
11. desconecte el calentador, primero apague los controles, luego retire el enchufe del tomacorriente. Siempre desenchufe el calentador cuando no esté en uso.
12. Conectar a sólo unos puntos de conexión a tierra.
13. No inserte o permita que objetos extraños penetren en la ventilación o salida de aire, ya que esto puede causar una descarga eléctrica o un incendio o dañar el calentador.
14. Para evitar un posible incendio, no bloquee las entradas o salidas de aire de ninguna manera. No utilice sobre superficies blandas, como una cama, donde las aberturas se pueden bloquear.
- 15 Este aparato tiene partes calientes y pueden echar chispas. No lo use en áreas donde la gasolina, pintura o líquidos inflamables se almacenen o utilicen.
16. Use este calentador sólo como se describe en este manual. Cualquier otro uso no recomendado por el fabricante puede causar incendio, choque eléctrico o lesiones a las personas.
- 17 Evite el uso de un cable de extensión porque la extensión se puede sobrecalentar y provocar un riesgo de incendio.
18. Este calentador puede incluir un (a visual) la alarma audible para avisar de que partes de la estufa se están excesivamente caliente. Si los sonidos de alarma (flashes), se convierten inmediatamente el calentador y verifique que no existan objetos sobre o al lado del calentador que puede causar altas temperaturas. **NO HAGA FUNCIONAR LA ESTUFA CON EL SONIDO DE ALARMA (INTERMITENTE).**
19. **"GUARDE ESTAS INSTRUCCIONES"**

**SIEMPRE OBSERVE que ESTAS MEDIDAS DE SEGURIDAD AL OPERAR SU CALENTADORA ELECTRICA**

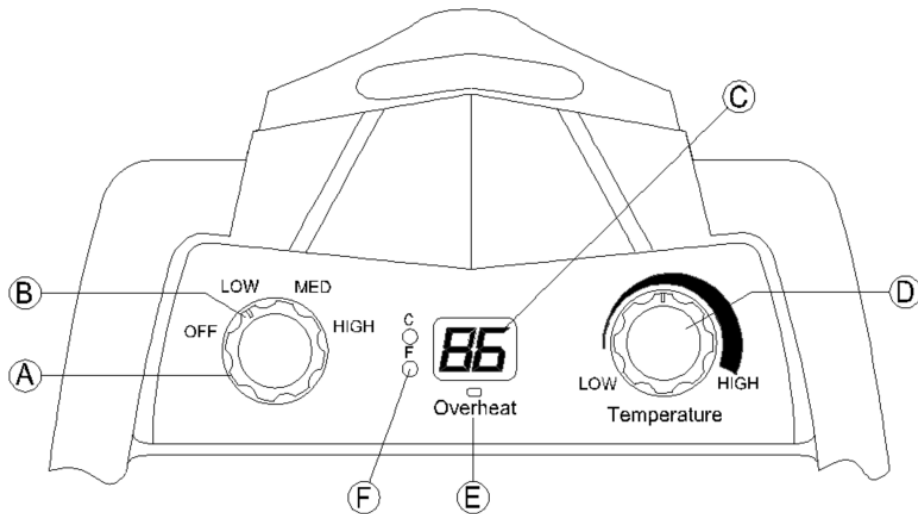
- Siempre** Lea todas las instrucciones antes de operar
- Siempre** Sitúe su calentadora eléctrica lejos de muebles o afloje cortinas colgantes.
- Siempre** Mantenga la parrilla trasera lejos de paredes o cortinas por no bloquear la toma de aire. (Si aplicable)
- Siempre** Desenchufe calentadora eléctrica cuando no en uso
- Siempre** Utilice calentadora eléctrica en una superficie seca plana
- Siempre** Dirija la cuerda tan no será pisado tropezado sobre ni pellizcado por muebles
- Siempre** Mantenga cuerdas eléctricas, las cortinas y otro mobiliario lejos de su calentadora eléctrica
- Siempre** Mantenga su calentadora eléctrica limpia y el filtro libre de polvo. (Si aplicable)
- Siempre** Utilice dentro sólo.
- Nunca** Las cortinas del lugar, la ropa o las toallas sobre calentadora eléctrica secar.
- Nunca** Uso en la presencia de explosivo ni vapores flamables como gas ni pinta
- Nunca** Tape otro electrodoméstico en el mismo circuito. Los fusibles sopladados, peligros tropezados de circuitos y fuego pueden resultar.
- Nunca** El agua del uso o líquidos para limpiar su calentadora eléctrica.
- Nunca** Permita toque descubierto de piel superficies calientes como esto puede causar quemaduras
- Nunca** Deje calentadora eléctrica desatendida.
- Nunca** Deje calentadora eléctrica cuando niños o animales favoritos sean presentes.
- Nunca** Sitúe calentadora eléctrica donde puede caerse en una tina de baño u otros contenedores de agua.
- Nunca** Opere calentadora eléctrica con una cuerda dañada, el tapón o después de que la calentadora falle, o haya sido dejada caer o Ha Sido Dañada en cualquier.
- Nunca** Corra cuerda bajo alfombrar ni cobertura con tapetes de tiro ni corredores.
- Nunca** Inserte ni permita objetos extranjeros entrar cualquier ventilación ni agotar aperturas, como esto puede causar un golpe eléctrico, el fuego o el daño.

## SPECIFICATIONS

Voltaje	120V AC 60HZ; 12.6 Amps
Energía de la calefacción	1500 Watts
Rango de control de temperatura	60-90°F
Elemento de calefacción	Infrared PTC Heater
Cobertura	Up to 1,000 square feet
Dimensiones	13.1" Wide x 16.5" Deep x 16.9" High
Peso	18.96 Lbs
Pantalla LCD	
interruptor de seguridad de vuelco se apaga automáticamente el calentador hacia abajo si éste se vuelca	



## OPERATION



A: Encendido/Velocidad del ventilador: Enciende o apaga la estufa y el ventilador.

B: Ajuste del ventilador: Ajusta el ventilador en modo Bajo, Medio o Alto.

C: Pantalla LED de temperatura: Muestra el área de código de temperatura y error.

D: Control de ajuste de temperatura: Ajusta la temperatura entre 59-86° F (15-30°C)

E: Indicador de sobrecalentamiento: Se enciende al activarse el corte por sobrecalentamiento.

F: Pantalla Fahrenheit/Celsius: Presione el control de ajuste de temperatura para cambiar la pantalla LED de temperatura de Fahrenheit a Celsius.

Utilice la estufa siempre en posición vertical y siga todas las instrucciones y recomendaciones de este manual

Ubicación de la estufa:

Coloque la estufa en el área más fría de la habitación.

### CONEXIÓN DE LA ESTUFA

Enchufe la estufa directamente al tomacorriente de 120 voltios de CA, 60 Hz. Cerciérese de que el enchufe quede bien conectado en el tomacorriente. Una mala conexión puede causar sobrecalentamiento y dañar el enchufe o la estufa.

**NOTA:** Para evitar sobrecargar un circuito, no enchufe la estufa a un circuito que esté alimentando a otros artefactos eléctricos.

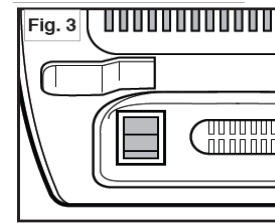
**NOTA:** La estufa puede emitir algo de humo inocuo la primera vez que se use. El humo es algo normal causado por el primer uso de la resistencia térmica infrarroja. Ocurrirá por un breve periodo y no es perjudicial.



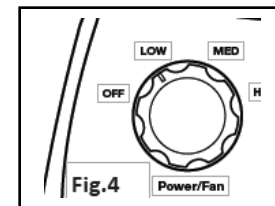
# OPERACIÓN

Posición: Busque una superficie nivelada y sin obstáculos para colocar la estufa.

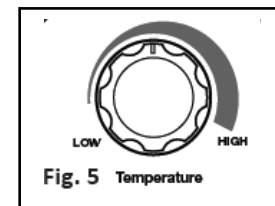
Coloque el interruptor ON/OFF en la posición ON (encendido): Presione el interruptor ubicado en la parte posterior de la estufa en la posición ON (I). Esto habilitará la alimentación eléctrica de la unidad (ver Fig. 3).



Ajuste el Control de encendido/Velocidad del ventilador según lo deseado (BAJO, MEDIO, ALTO). La primera vez que encienda la estufa; mostrará la temperatura real de la habitación. La primera vez que se enciende el calentador; se mostrará la temperatura más alta Ajuste de 86 ° F. (Ver Fig. 4)



Ajuste de la temperatura: Gire el control de ajuste de temperatura para ajustar la temperatura entre 59-86° F. La primera vez que gire el control, el LED comenzará a parpadear en 86° F por defecto. Gire el control hacia la izquierda o derecha para reducir o aumentar la temperatura. Cuando termine de girar el dial, el indicador de temperatura del LED parpadeará durante tres segundos y luego se establecerá la temperatura. (Ver Fig. 5).



Al ajustar la temperatura, debe seleccionar una temperatura que sea al menos dos grados superior a la temperatura ambiente que indica la pantalla LED de temperatura, de lo contrario, la resistencia de la estufa no se encenderá.

Al ajustar la temperatura, el número en la pantalla parpadeará durante tres segundos. Si ajusta la temperatura dos grados por debajo de la temperatura ambiente, la resistencia térmica se apagará. El ventilador seguirá funcionando.

- Apagado de la estufa: gire el control de Encendido/Velocidad del ventilador a la posición OFF de apagado. El ventilador seguirá funcionando hasta que se haya disipado el calor y luego se apagará.
- Para cambiar cómo se muestra la temperatura, de ° F a ° C, mantenga presionado el Control de ajuste de temperatura durante dos segundos. Mantenga presionado el control nuevamente para cambiar de ° C a ° F.

**NOTA:** Si la estufa se cae en cualquier dirección (hacia adelante, hacia atrás o a los lados) mientras está funcionando, se apagará. Vuelva a levantarla y gire el Control de encendido/Velocidad del ventilador a la posición OFF de apagado. Gire nuevamente el control a la posición de encendido y se retomará el normal funcionamiento.

## CUIDADO Y MANTENIMIENTO



**ADVERTENCIA: ANTES DE LIMPIAR LA ESTUFA DESENCHUFE EL CABLE DE ALIMENTACIÓN Y DEJE QUE LA ESTUFA SE ENFRÍE COMPLETAMENTE.**

**IMPORTANTE:** El filtro de aire lavable de larga duración DEBE limpiarse siempre que sea necesario, para garantizar el óptimo rendimiento de la estufa. No limpiar el filtro de aire cuando sea necesario podría reducir el rendimiento y/o causar fallos en el funcionamiento de la estufa.

Revise el filtro de aire después de cada uso. Si hay suciedad, polvo o sedimentos visibles en el filtro, deberá limpiarlo. Limpie el filtro de aire por lo menos de acuerdo con el siguiente cronograma:

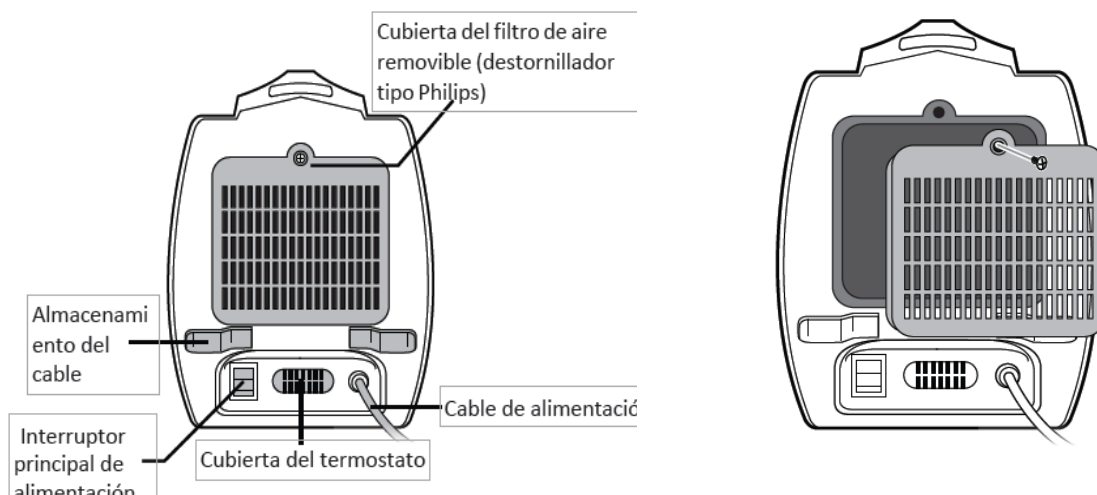
- Uso intensivo (uso diario y/o uso en un ambiente con mucho polvo o suciedad): Limpieza diaria.
- Uso medio (varias veces a la semana y/o uso en un ambiente con polvo o suciedad): Limpieza semanal o según sea necesario.
- Poco uso (uso ocasional en un ambiente limpio): Limpieza quincenal o según sea necesario.

Para extraer el filtro, desatornille el tornillo, abra la cubierta del filtro en la parte posterior de la estufa y extraiga el filtro halando con cuidado.

Limpie el filtro con una aspiradora con el accesorio adecuado o con agua caliente para remover el polvo. Haga correr el agua en dirección opuesta al flujo de aire hasta que el agua se vea limpia.

El filtro puede arrojar algunos residuos filtrados, por lo tanto, tenga cuidado de evitar que gotee sobre superficies que puedan mancharse, como alfombras. También puede remojar el filtro en agua mezclada con una pequeña cantidad de detergente suave (no olvide enjuagar bien el filtro después de remojarlo).

**LIMPIE EL FILTRO DE AIRE CON FRECUENCIA PARA EVITAR QUE LA ESTUFA FALLE. LIMPIE EL FILTRO DIARIAMENTE SI SE USA EN UN AMBIENTE CON MUCHO POLVO O SUCIEDAD**



## SOLUCIÓN DE PROBLEMAS/PREGUNTAS FRECUENTES

PREGUNTA:

RESPUESTA:

¿Por qué el ventilador sigue funcionando después de haber presionado el botón de apagado?	El ventilador seguirá funcionando hasta que la resistencia se haya enfriado. Luego de unos minutos, el ventilador se apagará automáticamente.
¿Por qué el flujo de calor parece haber disminuido?	Verifique que la entrada de aire trasera no esté bloqueada y que el filtro esté limpio. Siga el procedimiento de mantenimiento del filtro para limpiar el filtro.
La estufa se apagó sola y se iluminó una luz LED roja (SOBRECALENTAMIENTO) en la parte frontal de la estufa. ¿Qué significa esto?	Girar el interruptor de alimentación principal, desconecte la unidad del tomacorriente. Compruebe el filtro y limpiar si es necesario. Después de 30 minutos inserte el equipo de nuevo en el receptáculo y conecte la alimentación principal de nuevo. Si la unidad sigue sin funcionar Servicio al Cliente Llame al 800-776-9425. NO intente reparar el calentador sí mismo.
Can I use the heater to heat multiple rooms at the same time?	Sí. Tenga en cuenta el calentamiento puede variar en función del grado de apertura de su planta es y los tamaños de las habitaciones involucrados. En algunos casos, la ejecución de un ventilador de techo ayudará a calentar varias habitaciones al mismo tiempo mediante la colocación de la unidad en una sala central
Mi casa no tiene un adecuado aislamiento, ¿la estufa me servirá?	Sí, pero tomará más tiempo calentar una habitación inicialmente y la temperatura exterior también influirá en el tiempo de calefacción. Una vez que haya alcanzado la temperatura adecuada en la habitación, el ciclo se activará y se suspenderá pertinentemente.
¿Se puede usar la estufa en un baño?	No es recomendable, debido al alto nivel de humedad que se genera en el baño.
¿Puedo usar la estufa en el sótano o en el garage?	Sí, pero tenga en cuenta que los ambientes con aislamiento insuficiente no conservarán el calor de forma eficiente. Los pisos de concreto que actúan como un disipador térmico con cualquier tipo de calefacción absorberán el calor. Colocar la estufa a unos pies de altura del piso permitirá una calefacción más eficiente. No use la estufa en un ambiente húmedo, como un sótano inundado.

## TROUBLESHOOTING/FREQUENTLY ASKED QUESTIONS

QUESTION:

ANSWER:

¿Puedo usar más de una estufa a la vez?	Sí, pero debe asegurarse de que no estén conectadas al mismo circuito. Cada estufa y electrodoméstico debe conectarse a un circuito individual.
¿Puedo mover la estufa mientras está funcionando?	No es recomendable mover ninguna estufa portátil mientras está en funcionamiento. Recomendamos hacerlo recién una vez que el ventilador se haya detenido por completo.
¿Puedo usar la estufa y otro electrodoméstico al mismo tiempo?	Yes, as long as they are not on the same circuit. You should not run more than one large appliance on a single circuit breaker. Your freezer, refrigerator, microwave oven, washing machine, dryer, and other such appliances should not share a circuit breaker.
Puedo usar un cable de extensión, un protector contra sobretensiones o un enchufe múltiple con mi estufa?	No es recomendable. Está diseñada para enchufarse directamente a una caja con conexión a tierra de 120 voltios y 15 amp. No obstante, si tiene que usar un cable de extensión, el cable debería ser como mínimo AWG N.º 14 para no menos de 1875 vatios. El cable de extensión debe ser un cable de 3 hilos con conexión a tierra y con enchufe conector.
No tengo una conexión a tierra; ¿puedo usar un adaptador para el cable o quitar la clavija a tierra?	NO. Si no tiene un tomacorriente con conexión a tierra, contacte a un electricista matriculado para ser asesorado. Extraer o modificar cualquier parte de la estufa es peligroso y anulará la garantía.
Aparece un mensaje de código de error (E1, E2, E3, E4) en la pantalla. ¿Qué debo hacer?	E1: PCB-Call es dañado Servicio al Cliente E2: anormalmente alta temperatura unidad Desenchufe y deje que se enfríe. E3: el circuito del sensor de temperatura de guardia abierta de Servicio al Cliente E4: el circuito del sensor de temperatura en corto-Call Servicio al Cliente 1-800-776-9425. NO intente reparar el calentador de sí mismo.

# **GARANTIA ELECTRICA PORTATIL de CALENTADORA**

## **La GARANTIA LIMITADA:**

Una garantía limitada es extendida al comprador original de esta calentadora y autorizaciones contra falla debido a defectos industriales por un período de

(1) un año de la fecha de la compra de la venta al por menor. Lea por favor y siga todos los detalles notados abajo.

## **Los RECLAMOS MANEJARON DE LA SIGUIENTE MANERA:**

- No REGRESA a COLOCAR DE la COMPRA

- Contacta nuestro Departamento de Servicio de Costomer en 1-800-776-9425. Debe tener el número modelo, el

### **MONTAJE EN PARED DE APLICACIÓN**

### **TECHO DE APLICACIÓN**

-Le proporcionarán con instuccion adicional, que puede repuestos de include, la reparación o el reemplazo en nuestra opción.

**LLAME 1-800-776-9425 PARA el SERVICIO (9AM-6PM Lunes-Viernes)**

**PEMAIL EEUU EN [info@worldmkting.com](mailto:info@worldmkting.com)**

## **Los DEBERES DEL PROPIETARIO:**

Este aparato de la calefacción debe ser operado de acuerdo con las instrucciones escritos amuebladas con esta calentadora. Esta garantía no dispensará al propietario de mantener apropiadamente esta calentadora de acuerdo con las instrucciones escritos amueblados con esta calentadora. Una escritura de venta, registro de cheque pagado o pago debe ser mantenido para verificar la compra la fecha y establecer el período de garantía. El cartón original debe ser mantenido en caso del regreso de garantía de la unidad.

## **LO QUE no ES CUBIERTO:**

1. El daño causado por maltrato o utiliza al contrario del manual de propietarios y pautas de seguridad.
2. El daño causado por una falta de mantenimiento normal.
3. Repare por una persona no autorizada.
4. El daño causado por conexión a un voltaje impropio.
5. Dañado causado por el uso fuera.

**Las LIMITACIONES:**

Esta garantía no implica ni asume responsabilidad para daños consecuentes que pueden resultar del uso, del maltrato, o de la falta de mantenimiento rutinario de este aparato de la calefacción. Un honorario de limpieza y el costo de partes pueden ser cargados para fracasos de aparato que resultan de la falta de mantenimiento. Esta garantía no cubre reclamos, que no implican habilidad ni materiales defectuosos. El INCUMPLIMIENTO MANTENIMIENTO GENERAL (INCLUSIVE LIMPIEZA) VACIARA ESTA GARANTIA.

ESTA GARANTIA LIMITADA ES DADA AL COMPRADOR EN VEZ DE TODAS LAS OTRAS GARANTIAS, EXPRESADO O IMPLICITO, INCLUSIVE PERO no LIMITADO A LAS GARANTIAS DE COMERCIALIZACION DE la SALUD PARA UN PROPOSITO PARTICULAR. EL REMEDIO PROPORCIONADO EN ESTA GARANTIA ES EXCLUSIVO Y GRANT EN VEZ DE TODOS LOS OTROS REMEDIOS. EN ningún ACONTECIMIENTO HACE MARKETING de MUNDO DE AMERICA ES RESPONSABLE DE el CASUAL O DAÑOS CONSECUENTES.

Algunos estados no permiten limitaciones en cuánto tiempo una garantía implícita dura, así que la limitación antes mencionada no le puede aplicar. Algunos estados no permiten la exclusión ni la limitación de daños casuales ni consecuentes tan que la limitación ni exclusión antes mencionadas no le pueden aplicar.

**Para su registro, cosa con una grapa su recibo de ventas a este manual y registra lo  
Siguiete:**

**La FECHA DE la COMPRA:** \_\_\_\_\_

**EI LUGAR DE la COMPRA:** \_\_\_\_\_

**EI NUMERO DE SERIE:** \_\_\_\_\_

Impreso en China