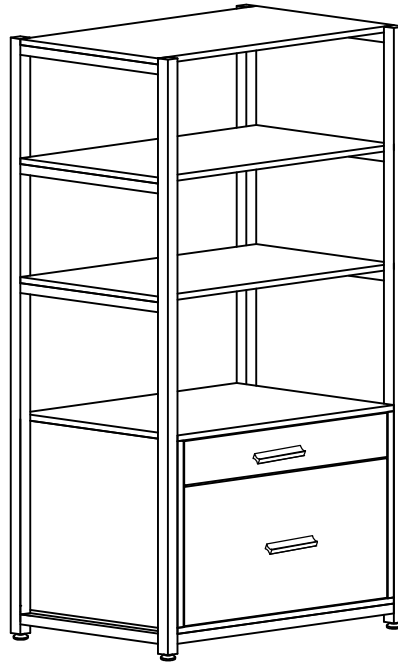


ASSEMBLY INSTRUCTION FOR DX-F1234 P1

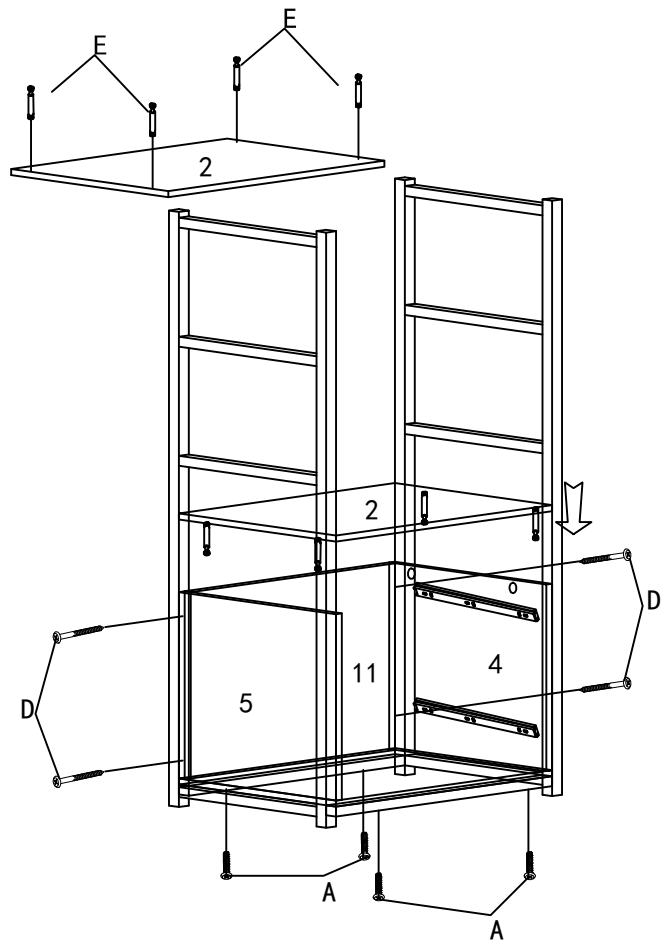
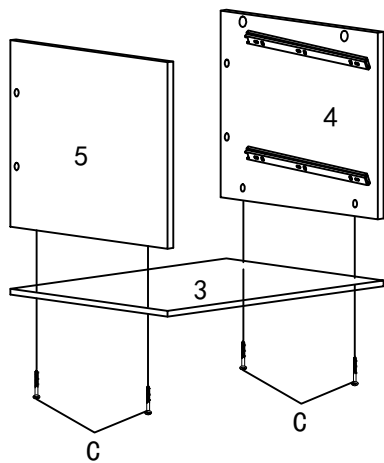
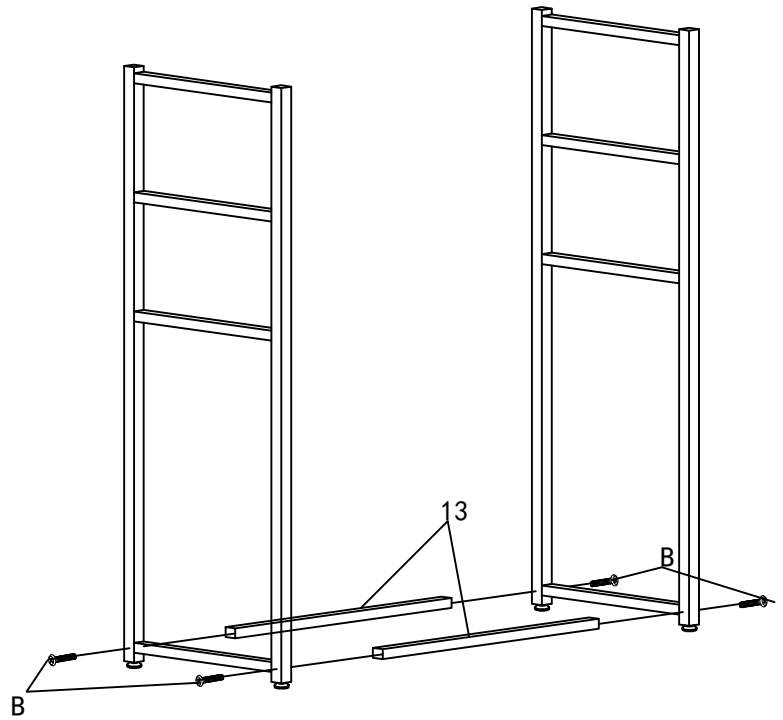
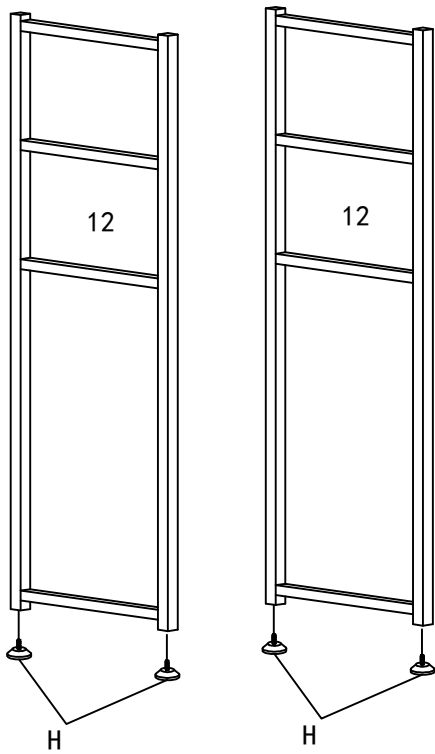
LITTLE TREE bookshelf



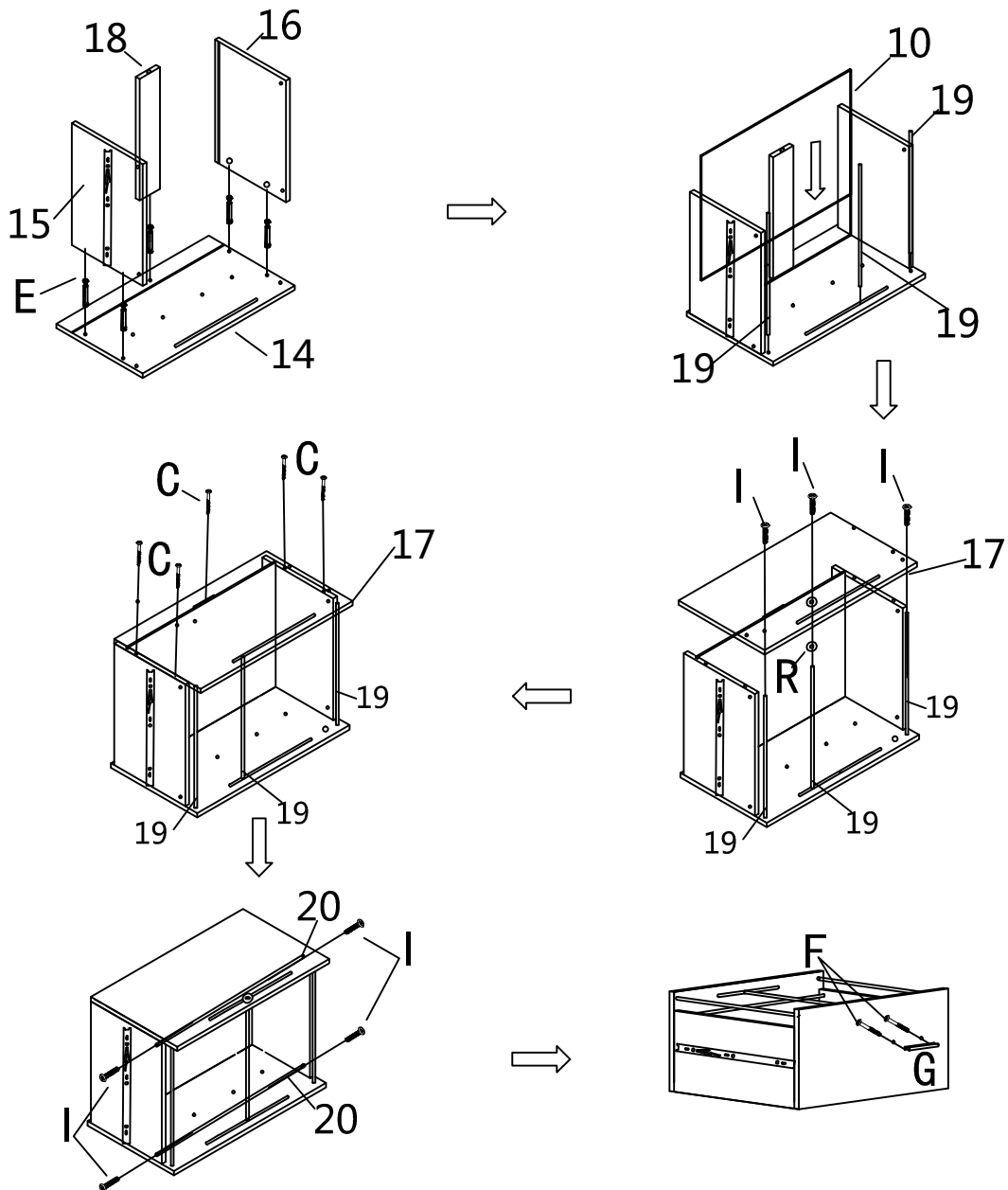
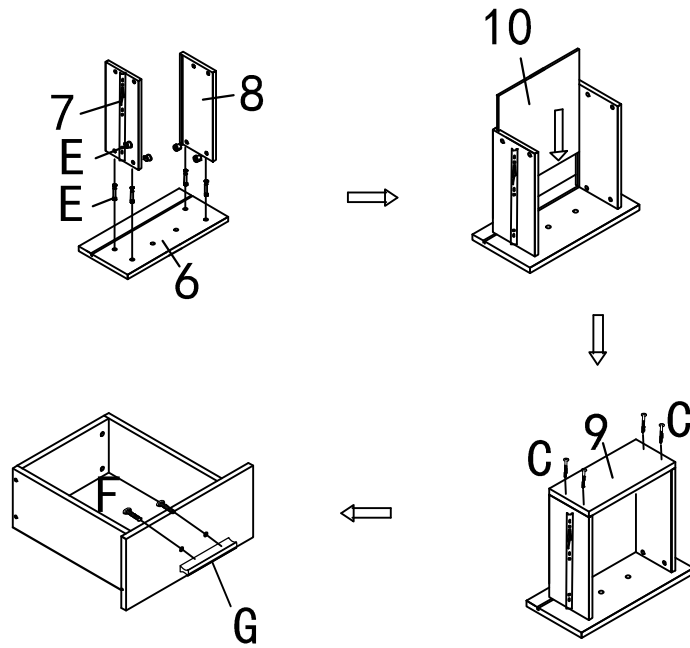
Notes: Don't tighten screws completely at first, just in case parts were assembled wrong and need disassemble. Tighten screws at last when all parts are put together

1 3PCS		2 3PCS		3 3PCS	
4 	5 	6 	7 	8 	
9 	10 2PCS	11 	12 		
13 2PCS	14 	15 	16 		
17 	18 	19 3PCS	20 2PCS	2PCS 	
A M6X35 16PCS	B M6X40 4PCS	C M5X50 13PCS	D M5X70 4PCS	E M4X18 13PCS	F M4X18 4PCS
G 2PCS	H 4PCS	I M6X25 7PCS	R 2PCS		

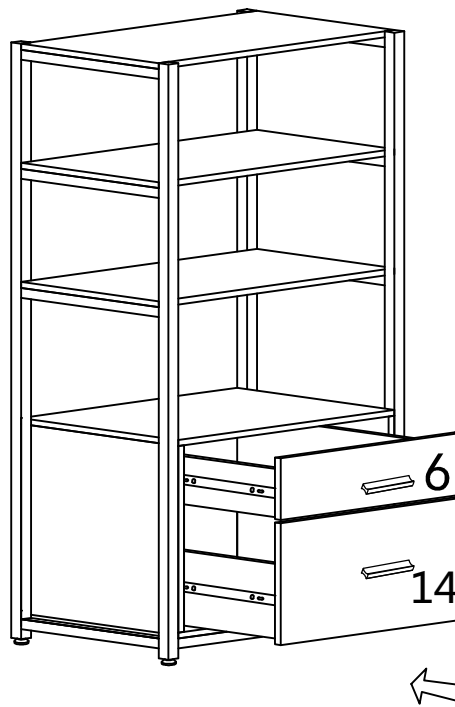
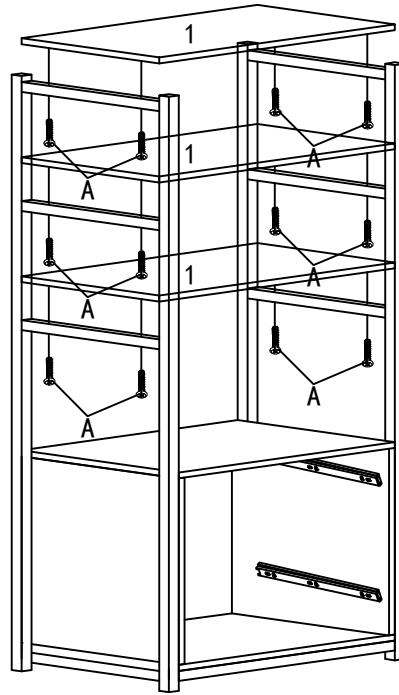
ASSEMBLY INSTRUCTION FOR DX-F1234 P2



ASSEMBLY INSTRUCTION FOR DX-F1234 P3



ASSEMBLY INSTRUCTION FOR DX-F1234 P4



Thanks for choosing LITTLE TREE L Shaped Standing Desk, your satisfaction is our priority if you have any installation problems or any damages caused by shipping please feel free to contact us at support@littletree.com, our friendly customer service will solve your problem at first time. Hope our product can meet your expectation.