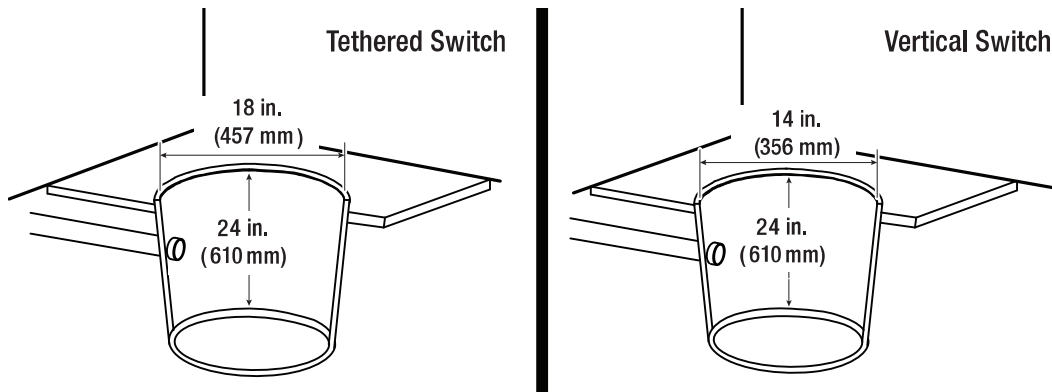


Installation

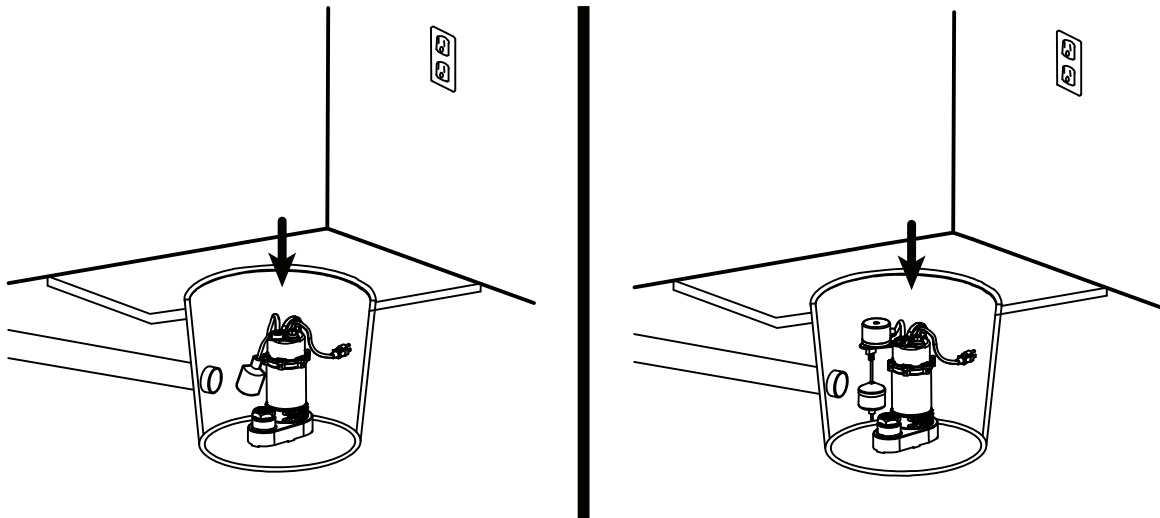
1 Preparing a pump basin

- The sump pump must be installed in a sump basin with a minimum diameter of 14 in. (356 mm) for vertical switch models and 18 in. (457 mm) for tethered float switch models.
- The sump basin must have a minimum depth of 24 in. (610 mm) for vertical switch models and tethered float switch models.
- The sump basin can be constructed of tile, concrete, steel, or plastic. Check local codes for approved materials and for proper installation.



2 Placing the pump in a basin

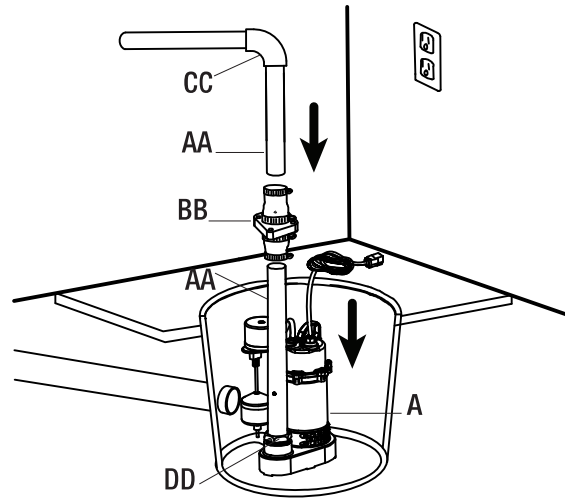
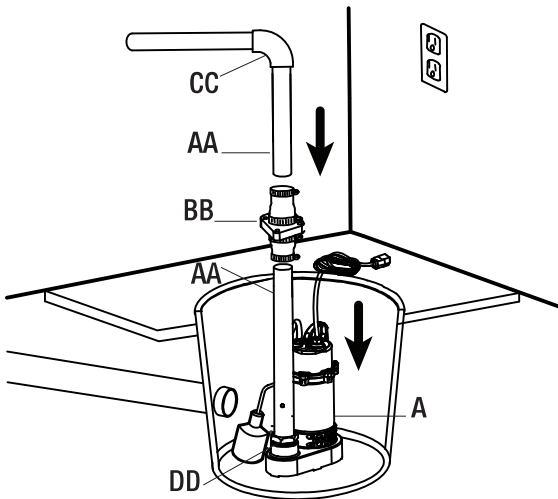
- Place the pump on a hard surface inside the sump basin. Do not install the pump on clay, earth, or sand surfaces.
- Clear the sump basin of debris which could clog the pump. Keep the inlet screen clear.



Installation (continued)

3 Installing the discharge plumbing

- Attach a pipe adapter (DD) to the discharge pipe (AA). Wrap the threads with PTFE pipe thread sealant tape.
- Screw the discharge pipe (AA) onto the pump (A) hand-tight, plus 1-1/2 turns.
- Install an in-line check valve (BB) or an in-pump check valve.



Operation

1 Connecting power

- Plug the power cord into a 115 V GFCI power outlet.



WARNING: Do not handle this pump or plug in or unplug this pump with wet hands or while standing in water, unless you are certain all power has been turned off to the pump. Remember, the pump should be connected only to a properly grounded, GFCI outlet.

