

Trim-A-Brake II™

Parts List

Effective 4-01-04

For Quick "Same Day Shipment" Order Early!

Rev. 09-01-10

Save Time! Save Money! Order Toll-Free 24 Hrs Call Free 1-800 Van Mark Fax Free 1-888 Van Mark



All 300 Series Parts Numbers are Complete "Ready to Use" Assemblies.

Ref	Part Name	Model	Model	Model
		T850 Contr T851 Comm	T1050 Contr T1051 Comm	T1250 Contr T1251 Comm
		P/N	P/N	P/N
1	Slide Bar & Wedge Assm** Contr	3593	3594	3595
2	Comml	3600	3601	3602
3	L Bar w/SS Edge Strip** Contr	3607	3608	3609
4	Comml	3614	3615	3616
5	Hinge, Front w/Orange Vinyl Strip	3621	3622	3623
6	Hinge, Fixed Rear** Contr	4038	4039	4040
7	Comml	4140	4141	4142
8	Rail, Base Front 2" ** Contr	4271	4273	4275
9	Comml	4272	4274	4276
10	Rail, Base Rear 1 1/2" ** Contr	4285	4287	4289
11	Comml	4286	4288	4290
12*	Strip, Stainless Steel Edge	4182	4183	4184
13	Pin, Stainless Steel Hinge	4062	4063	4064

Parts For All Models

Ref	Part Name	P/N
14	Strips, Orange Vinyl Wear (2 ea)	3628
15	Handle, Bending w/Brackets	3536
16	Brackets, Bending Handle (2 ea)	3579
17-18	Wedges & Wedge Block Assm	3583
18	Wedge Block w/Clevis Pin	3588
19-20	Locking Handle & Orange Grip	3586
21	Locking Handle Mounting Brkt	3587
22	Locking Clevis Assembly	3585
23	Springs, Round x 10 1/4" (4 ea)	3584
24	Casting C Clamp 6" High	3589
25	Handles, Carrying (2 ea)	3572
26-29	Material Stop Assembly (2 ea)	3507

Optional Accessories

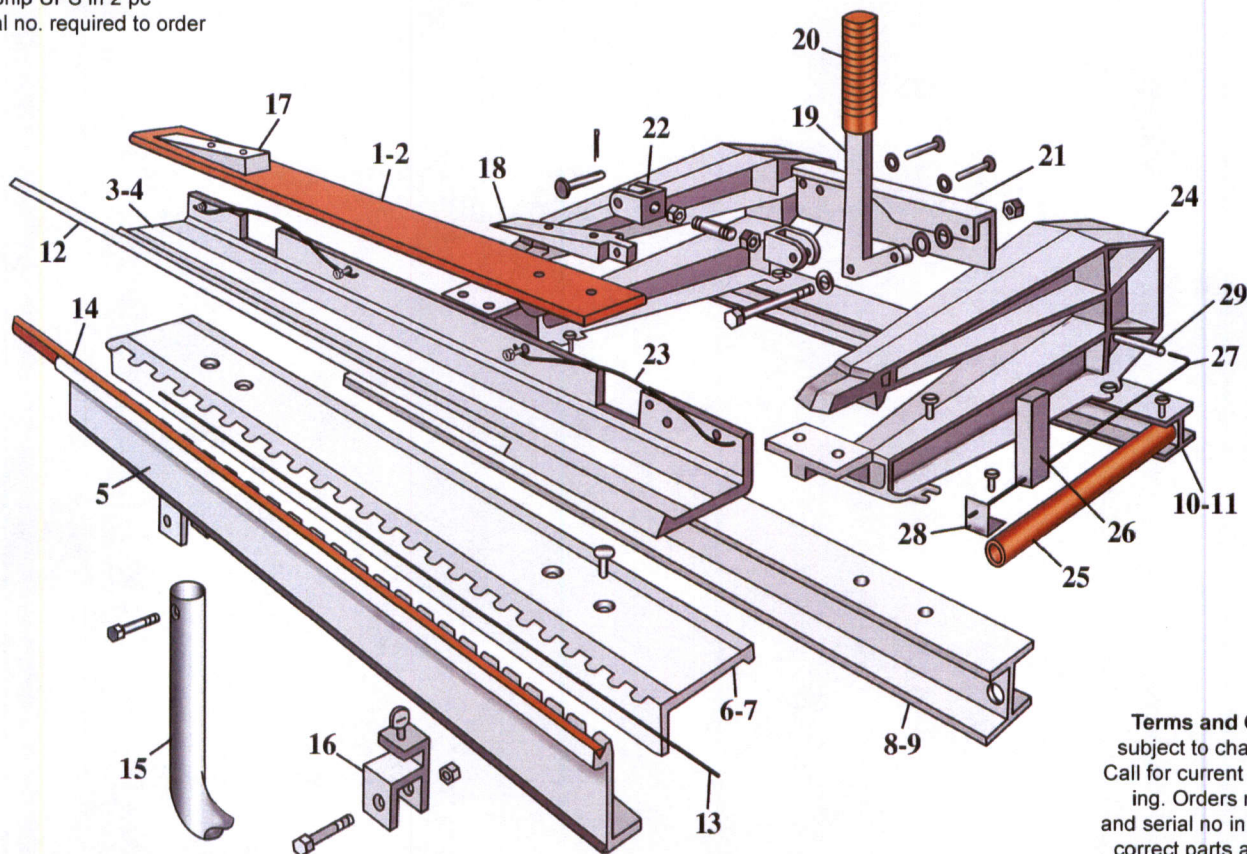
Saw Horses 3003	Folding Legs 3000	Wheel Kit 3004
For general duty (saw horses fold away when not in use)	Heavy-Duty steel legs (includes hardware)	Fits All Van Mark Brakes Attaches to one end of Brake Base Rails
		

Tune-Up Kits

Ref	Contents	P/N
	Contractor Model	3626
	Commercial Model	3632
14	Strip, Orange Vinyl Wear	
17-18	Wedges & Wedge Block Assembly	
19-20	Locking Handle & Orange Grip	
22	Locking Clevis Assembly, Adj	
23	Round Springs 1/8" x 10 1/4"	
	Screw & Fastener Package, Misc	

*Can Ship UPS in 2 pc

**Serial no. required to order



Terms and Conditions: Prices subject to change without notice. Call for current prices before quoting. Orders must include model and serial no in order to guarantee correct parts are shipped. \$25.00 minimum order. F.O.B. Farmington Hills, MI. U.S. funds only.

VAN MARK PRODUCTS CORPORATION

24145 Industrial Park Drive, Farmington Hills, MI 48335-2864 Michigan 1-248-478-1200

Call Free 1-800-VAN-MARK (1-800-826-6275) Fax Free! 1-888-VAN-MARK (1-888-826-6275)

Web Site: <http://www.van-mark.com>

E-mail: sales@van-mark.com

Note: Price subject to change without notice. Call for current prices before quoting.