



OPERATOR'S MANUAL
MANUEL D'UTILISATION
MANUAL DEL OPERADOR

16 GA FINISH NAILER
CLOUEUSE DE FINITION DE CALIBRE 16
CLAVADORA DE ACABADO CALIBRE 16
P325

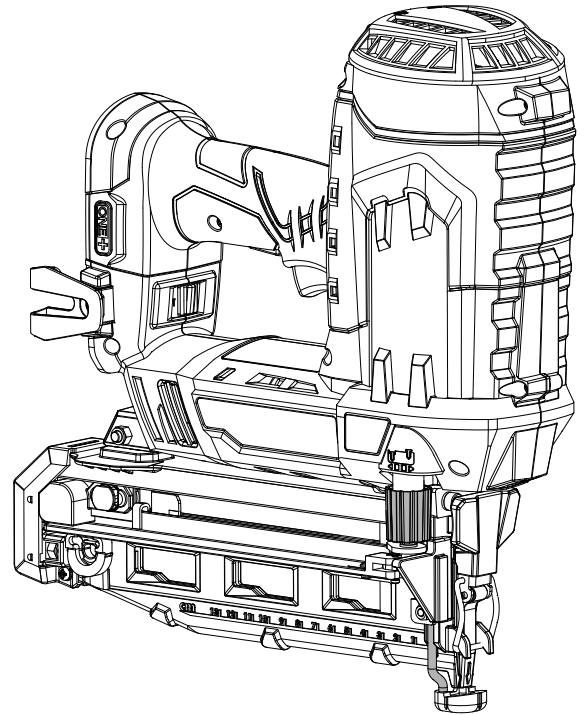


TABLE OF CONTENTS

- General Power Tool
Safety Warnings2-3
- Nailer Safety Warnings3-5
- Symbols.....6
- Glossary 7
- Features.....8
- Assembly 8
- Operation.....8-11
- Troubleshooting..... 11
- Maintenance..... 12
- Figures (Illustrations)13-15
- Parts Ordering
and ServiceBack page

TABLE DES MATIÈRES

- Règles de sécurité générales
relatives aux outils électriques.....2-3
- Avertissements de sécurité relatifs
cloueuse à parquet3-5
- Symboles.....6
- Glossaire..... 7
- Caractéristiques 8
- Assemblage..... 8
- Utilisation8-11
- Dépannage 11
- Entretien 12
- Figures (illustrations).....13-15
- Commande de pièces
et dépannagePage arrière

ÍNDICE DE CONTENIDO

- Advertencias de seguridad
para herramientas eléctrica 2-3
- Advertencias de clavadora
de puntillas 3-5
- Símbolos.....6
- Glosario de términos7
- Características.....8
- Armado8
- Funcionamiento 8-11
- Corrección de problemas11
- Mantenimiento.....12
- Figuras (ilustraciones) 13-15
- Pedidos de piezas
y servicio.....Pág. posterior

⚠ WARNING: To reduce the risk of injury, the user must read and understand the operator's manual before using this product.

⚠ AVERTISSEMENT : Pour réduire les risques de blessures, l'utilisateur doit lire et veiller à bien comprendre le manuel d'utilisation avant d'employer ce produit.

⚠ ADVERTENCIA: Para reducir el riesgo de lesiones, el usuario debe leer y comprender el manual del operador antes de usar este producto.

**SAVE THIS MANUAL FOR
FUTURE REFERENCE**

**CONSERVER CE MANUEL
POUR FUTURE RÉFÉRENCE**

**GUARDE ESTE MANUAL
PARA FUTURAS CONSULTAS**

GENERAL POWER TOOL SAFETY WARNINGS

WARNING

Read all safety warnings and all instructions. Failure to follow the warnings and instructions may result in electric shock, fire and/or serious injury.

Save all warnings and instructions for future reference. The term “power tool” in the warnings refers to your mains-operated (corded) power tool or battery-operated (cordless) power tool.

WORK AREA SAFETY

- **Keep work area clean and well lit.** Cluttered or dark areas invite accidents.
- **Do not operate power tools in explosive atmospheres, such as in the presence of flammable liquids, gases or dust.** Power tools create sparks which may ignite the dust or fumes.
- **Keep children and bystanders away while operating a power tool.** Distractions can cause you to lose control.

ELECTRICAL SAFETY

- **Power tool plugs must match the outlet. Never modify the plug in any way. Do not use any adapter plugs with earthed (grounded) power tools.** Unmodified plugs and matching outlets will reduce risk of electric shock.
- **Avoid body contact with earthed or grounded surfaces such as pipes, radiators, ranges and refrigerators.** There is an increased risk of electric shock if your body is earthed or grounded.
- **Do not expose power tools to rain or wet conditions.** Water entering a power tool will increase the risk of electric shock.
- **Do not abuse the cord. Never use the cord for carrying, pulling or unplugging the power tool. Keep cord away from heat, oil, sharp edges or moving parts.** Damaged or entangled cords increase the risk of electric shock.
- **When operating a power tool outdoors, use an extension cord suitable for outdoor use.** Use of a cord suitable for outdoor use reduces the risk of electric shock.
- **If operating a power tool in a damp location is unavoidable, use a ground fault circuit interrupter (GFCI) protected supply.** Use of a GFCI reduces the risk of electric shock.
- **Use battery only with charger listed.** For use with 18V nickel-cadmium and 18V lithium-ion battery packs, see tool/appliance/battery pack/charger correlation supplement 987000-432.

PERSONAL SAFETY

- **Stay alert, watch what you are doing and use common sense when operating a power tool. Do not use a power tool while you are tired or under the influence of**

drugs, alcohol or medication. A moment of inattention while operating power tools may result in serious personal injury.

- **Use personal protective equipment. Always wear eye protection.** Protective equipment such as dust mask, non-skid safety shoes, hard hat, or hearing protection used for appropriate conditions will reduce personal injuries.
- **Prevent unintentional starting. Ensure the switch is in the off-position before connecting to power source and/or battery pack, picking up or carrying the tool.** Carrying power tools with your finger on the switch or energising power tools that have the switch on invites accidents.
- **Remove any adjusting key or wrench before turning the power tool on.** A wrench or a key left attached to a rotating part of the power tool may result in personal injury.
- **Do not overreach. Keep proper footing and balance at all times.** This enables better control of the power tool in unexpected situations.
- **Dress properly. Do not wear loose clothing or jewellery. Keep your hair, clothing and gloves away from moving parts.** Loose clothes, jewellery or long hair can be caught in moving parts.
- **If devices are provided for the connection of dust extraction and collection facilities, ensure these are connected and properly used.** Use of dust collection can reduce dust-related hazards.
- **Do not wear loose clothing or jewellery. Contain long hair.** Loose clothes, jewelry, or long hair can be drawn into air vents.
- **Do not use on a ladder or unstable support.** Stable footing on a solid surface enables better control of the power tool in unexpected situations.

POWER TOOL USE AND CARE

- **Do not force the power tool. Use the correct power tool for your application.** The correct power tool will do the job better and safer at the rate for which it was designed.
- **Do not use the power tool if the switch does not turn it on and off.** Any power tool that cannot be controlled with the switch is dangerous and must be repaired.
- **Disconnect the plug from the power source and/or the battery pack from the power tool before making any adjustments, changing accessories, or storing power tools.** Such preventive safety measures reduce the risk of starting the power tool accidentally.
- **Store idle power tools out of the reach of children and do not allow persons unfamiliar with the power tool or these instructions to operate the power tool.** Power tools are dangerous in the hands of untrained users.

GENERAL POWER TOOL SAFETY WARNINGS

- **Maintain power tools.** Check for misalignment or binding of moving parts, breakage of parts and any other condition that may affect the power tool's operation. If damaged, have the power tool repaired before use. Many accidents are caused by poorly maintained power tools.
- **Keep cutting tools sharp and clean.** Properly maintained cutting tools with sharp cutting edges are less likely to bind and are easier to control.
- **Use the power tool, accessories and tool bits etc. in accordance with these instructions, taking into account the working conditions and the work to be performed.** Use of the power tool for operations different from those intended could result in a hazardous situation.

BATTERY TOOL USE AND CARE

- **Recharge only with the charger specified by the manufacturer.** A charger that is suitable for one type of battery pack may create a risk of fire when used with another battery pack.
- **Use power tools only with specifically designated battery packs.** Use of any other battery packs may create a risk of injury and fire.

- **When battery pack is not in use, keep it away from other metal objects, like paper clips, coins, keys, nails, screws or other small metal objects, that can make a connection from one terminal to another.** Shorting the battery terminals together may cause burns or a fire.
- **Under abusive conditions, liquid may be ejected from the battery; avoid contact. If contact accidentally occurs, flush with water. If liquid contacts eyes, additionally seek medical help.** Liquid ejected from the battery may cause irritation or burns.

SERVICE

- **Have your power tool serviced by a qualified repair person using only identical replacement parts.** This will ensure that the safety of the power tool is maintained.
- **When servicing a power tool, use only identical replacement parts. Follow instructions in the Maintenance section of this manual.** Use of unauthorized parts or failure to follow Maintenance instructions may create a risk of shock or injury.

NAILER SAFETY WARNINGS

- **Always assume that the tool contains fasteners.** Careless handling of the nailer can result in unexpected firing of fasteners and personal injury.
- **Do not point the tool towards yourself or anyone nearby.** Unexpected triggering will discharge the fastener causing an injury.
- **Do not actuate the tool unless the tool is placed firmly against the workpiece.** If the tool is not in contact with the workpiece, the fastener may be deflected away from your target.
- **Disconnect the tool from the power source when the fastener jams in the tool.** While removing a jammed fastener, the nailer may be accidentally activated if it is plugged in.
- **Use caution while removing a jammed fastener.** The mechanism may be under compression and the fastener may be forcefully discharged while attempting to free a jammed condition.
- **Do not use this nailer for fastening electrical cables.** It is not designed for electric cable installation and may damage the insulation of electric cables thereby causing electric shock or fire hazards.
- **Hold power tool by insulated gripping surfaces, when performing an operation where the nail may contact hidden wiring.** Nails contacting a "live" wire may make exposed metal parts of the power tool "live" and could give the operator an electric shock.
- **Know your power tool. Read operator's manual carefully. Learn its applications and limitations, as well as the specific potential hazards related to this power tool.** Following this rule will reduce the risk of electric shock, fire, or serious injury.
- **Always wear eye protection with side shields marked to comply with ANSI Z87.1.** Everyday glasses have only impact resistant lenses. They are not safety glasses. Following this rule will reduce the risk of serious personal injury.
- **Eye protection which conforms to ANSI specifications and provides protection against flying particles both from the FRONT and SIDE should ALWAYS be worn by the operator and others in the work area when loading, operating or servicing this tool.** Eye protection is required to guard against flying fasteners and debris, which could cause severe eye injury.
- **The employer and/or user must ensure that proper eye protection is worn.** We recommend Wide Vision Safety Mask for use over eyeglasses or standard safety glasses that provide protection against flying particles both from the front and side. Always use eye protection which is marked to comply with ANSI Z87.1.
- **Additional safety protection will be required in some environments.** For example, the working area may include exposure to noise level which can lead to hearing damage. The employer and user must ensure that any

NAILER SAFETY WARNINGS

necessary hearing protection is provided and used by the operator and others in the work area. Some environments will require the use of head protection equipment. When required, the employer and user must ensure that head protection conforming to ANSI Z89.1-1997 is used.

- **Keep fingers away from trigger when not driving fasteners to avoid accidental firing.**
- **Use safety equipment. Always wear eye protection.** Dust mask, nonskid safety shoes, hard hat, or hearing protection must be used for appropriate conditions.
- **Protect your lungs. Wear a face or dust mask if the operation is dusty.** Following this rule will reduce the risk of serious personal injury.
- **Protect your hearing. Wear hearing protection during extended periods of operation.** Following this rule will reduce the risk of serious personal injury.
- **Battery tools do not have to be plugged into an electrical outlet; therefore, they are always in operating condition. Be aware of possible hazards when not using your battery tool or when changing accessories.** Following this rule will reduce the risk of electric shock, fire, or serious personal injury.
- **Do not place battery tools or their batteries near fire or heat.** This will reduce the risk of explosion and possibly injury.
- **Do not crush, drop or damage battery pack. Do not use a battery pack or charger that has been dropped or received a sharp blow.** A damaged battery is subject to explosion. Properly dispose of a dropped or damaged battery immediately.
- **Batteries can explode in the presence of a source of ignition, such as a pilot light.** To reduce the risk of serious personal injury, never use any cordless product in the presence of open flame. An exploded battery can propel debris and chemicals. If exposed, flush with water immediately.
- **Do not charge battery tool in a damp or wet location.** Following this rule will reduce the risk of electric shock.
- **For best results, your battery tool should be charged in a location where the temperature is more than 50°F but less than 100°F. Do not store outside or in vehicles.**
- **Under extreme usage or temperature conditions, battery leakage may occur. If liquid comes in contact with your skin, wash immediately with soap and water. If liquid gets into your eyes, flush them with clean water for at least 10 minutes, then seek immediate medical attention.** Following this rule will reduce the risk of serious personal injury.
- **Use the tool only for its intended use.** Do not discharge fasteners into open air.

- **Use the tool only for the purpose for which it was designed.**
- **Use only the nails recommended for this tool.** Use of the wrong nails could result in poor nail feeding, jammed nails, and nails leaving the tool at erratic angles. If nails are not feeding smoothly and properly, discontinue their use immediately. Jammed and improperly feeding nails could result in serious personal injury.
- **Never use this tool in a manner that could cause a nail to be directed toward anything other than the workpiece.**
- **Do not use the tool as a hammer.**
- **Always carry the tool by the handle.**
- **Do not alter or modify this tool from the original design or function without approval from the manufacturer.**
- **Always be aware that misuse and improper handling of this tool can cause injury to yourself and others.**
- **Never clamp or tape the trigger or workpiece contact in an actuated position.**
- **Never leave tool unattended if the battery is installed.**
- **Do not operate this tool if it does not contain a legible warning label.**
- **Keep the tool and its handle dry, clean and free from oil and grease.** Always use a clean cloth when cleaning. Never use brake fluids, gasoline, petroleum-based products, or any strong solvents to clean your tool. Following this rule will reduce the risk of loss of control and deterioration of the enclosure plastic.

OPERATION

- **Do not use tool if trigger does not actuate properly.** Any tool that cannot be controlled with the trigger is dangerous and must be repaired.
- **Check operation of the workpiece contact mechanism frequently.** Do not use the tool if the workpiece contact mechanism is not working correctly as accidental driving of a nail may result. Do not interfere with the proper operation of the workpiece contact mechanism.
- **Do not use a tool that does not work correctly.**
- **Always assume that the tool contains nails.**
- **Do not carry the tool from place to place holding the trigger.** Accidental discharge could result.
- **Always handle the tool with care:**
 - Respect the tool as a working implement.
 - Never engage in horseplay.
 - Never pull the trigger unless nose is directed toward the work.
 - Keep others a safe distance from the tool while tool is in operation as accidental actuation may occur, possibly causing injury.

NAILER SAFETY WARNINGS

- **Choice of triggering method is important. Check manual for triggering options.**
- **Do not hold the tool by the front of the magazine.** Do not put hands, head, or other parts of your body near the bottom of the magazine where the nail exits the tool, as serious personal injury could result.
- **Do not point the tool toward yourself or anyone whether it contains nails or not.**
- **Do not actuate the tool unless you intend to drive a nail into the workpiece.**
- **Always ensure that the workpiece contact is fully positioned above the workpiece.** Positioning the workpiece contact only partially above the workpiece could cause the nail to miss the workpiece completely and result in serious personal injury.
- **Do not drive nails near edge of material.** The workpiece may split causing the nail to ricochet, injuring you or a co-worker. Be aware that the nail may follow the grain of the wood, causing it to protrude unexpectedly from the side of the work material or deflect, possibly causing injury.
- **Keep hands and body parts clear of immediate work area.** Hold workpiece with clamps when necessary to keep hands and body out of potential harm. Be sure the workpiece is properly secured before pressing the fastener against the material. The workpiece contact may cause the work material to shift unexpectedly.
- **Keep face and body parts away from back of the tool cap when working in restricted areas.** Sudden recoil can result in impact to the body, especially when nailing into hard or dense material.

- **During normal use the tool will recoil immediately after driving a fastener. This is a normal function of the tool.** Do not attempt to prevent the recoil by holding the nailer against the work. Restriction to the recoil can result in a second fastener being driven from the nailer. Failure to heed this warning can result in serious personal injury.
- **Do not drive fasteners on top of other fasteners or with the tool at an overly steep angle as this may cause deflection of fasteners which could cause injury.**

LOADING TOOL

- **Do not load the tool with fasteners when any one of the operating controls is activated.**

When loading tool:




- **Never place a hand or any part of body in fastener discharge area of tool.**
- **Never point tool at anyone.**
- **Do not pull the trigger or depress the workpiece contact as accidental actuation may occur, possibly causing injury.**

SAVE THESE INSTRUCTIONS








- Refer to them frequently and use them to instruct others who may use this tool. If you loan someone this tool, loan them these instructions also.

SYMBOLS

The following signal words and meanings are intended to explain the levels of risk associated with this product.

SYMBOL	SIGNAL	MEANING
	DANGER:	Indicates an imminently hazardous situation, which, if not avoided, will result in death or serious injury.
	WARNING:	Indicates a potentially hazardous situation, which, if not avoided, could result in death or serious injury.
	CAUTION:	Indicates a potentially hazardous situation, which, if not avoided, may result in minor or moderate injury.
	NOTICE:	(Without Safety Alert Symbol) Indicates important information not related to an injury hazard, such as a situation that may result in property damage.

Some of the following symbols may be used on this product. Please study them and learn their meaning. Proper interpretation of these symbols will allow you to operate the product better and safer.

SYMBOL	NAME	DESIGNATION/EXPLANATION
	Safety Alert	Indicates a potential personal injury hazard.
	Read Operator's Manual	To reduce the risk of injury, user must read and understand operator's manual before using this product.
	Eye Protection	Always wear eye protection with side shields marked to comply with ANSI Z87.1.
	Keep Hands Away	Keep hands and body away from the discharge area of the tool.
	Wet Conditions Alert	Do not expose to rain or use in damp locations.
	Recycle Symbols	This product uses lithium-ion or nickel-cadmium batteries. Local, state or federal laws may prohibit disposal of batteries in ordinary trash. Consult your local waste authority for information regarding available recycling and/or disposal options.
V	Volts	Voltage
A	Amperes	Current
Hz	Hertz	Frequency (cycles per second)
min	Minutes	Time
	Direct Current	Type or a characteristic of current
n_0	No Load Speed	Rotational speed, at no load
.../min	Per Minute	Revolutions, strokes, surface speed, orbits etc., per minute

GLOSSARY

Activate (operating controls)

To move an operating control so that it is in a position that allows the tool to be actuated or that satisfies one requirement for the tool to be actuated.

Actuate (tool)

To cause movement of the tool component(s) intended to drive a fastener.

Actuation system

The use of a trigger, workpiece contact, and/or other operating control, separately or in some combination or sequence, to actuate the tool.

- **Single sequential actuation**

An actuation system in which there is more than one operating control and the operating controls must be activated in a specific sequence to actuate the tool. Additional actuation can occur when a specific operating control, other than a workpiece contact, is released and re-activated.

- **Contact actuation**

An actuation system in which there is more than one operating control and the operating controls can be

activated in any sequence to actuate the tool. Additional actuation can occur when any operating control is released and re-activated.

Fastener

A staple, pin, finish, nail, or other fastening device which is designed and manufactured for use in the tools within the scope of this standard.

Jam

An obstruction in the feed or drive areas of the tool.

Operating control

A control that separately, or as part of an actuation system, can cause the actuation of a tool.

Trigger

A tool operating control activated by a tool operator's fingers.

Workpiece

The intended object into which a fastener is to be driven by a tool.

Workpiece contact

An operating control element or assembly on the tool intended to be activated by the material to be fastened.

CALIFORNIA PROPOSITION 65

WARNING:

This product and some dust created by power sanding, sawing, grinding, drilling, and other construction activities may contain chemicals, including lead, known to the State of California to cause cancer, birth defects, or other reproductive harm. ***Wash hands after handling.***

Some examples of these chemicals are:

- lead from lead-based paints,
- crystalline silica from bricks and cement and other masonry products and,
- arsenic and chromium from chemically treated lumber.

Your risk from exposure to these chemicals varies, depending on how often you do this type of work. To reduce your exposure, work in a well-ventilated area and with approved safety equipment, such as dust masks that are specially designed to filter out microscopic particles.

FEATURES

PRODUCT SPECIFICATIONS

Motor.....18 Volt DC
Magazine Capacity..... 100 Nails

Nail Type.....16 gauge
Finish Nail Length..... 3/4 - 2.5 in.

ASSEMBLY

WARNING:

Do not use this product if it is not completely assembled or if any parts appear to be missing or damaged. Use of a product that is not properly and completely assembled or with damaged or missing parts could result in serious personal injury.

WARNING:

Do not attempt to modify this product or create accessories or attachments not recommended for use with this product. Any such alteration or modification is misuse and could result in a hazardous condition leading to possible serious personal injury.

If any parts are damaged or missing, please call 1-800-525-2579 for assistance.

OPERATION

WARNING:

Do not allow familiarity with products to make you careless. Remember that a careless fraction of a second is sufficient to inflict severe injury.

WARNING:

Always remove battery pack from the tool when you are assembling parts, making adjustments, cleaning, or when not in use. Removing battery pack will prevent accidental starting that could cause serious personal injury.

WARNING:

Always wear eye protection with side shields marked to comply with ANSI Z87.1. Failure to do so could result in objects being thrown into your eyes, resulting in possible serious injury.

- Staircases
- Door and Window Trim
- Chair Rail
- Brickmold
- Hardwood Flooring
- Paneling
- Furniture

ATTACH BELT CLIP

See Figure 1, page 13.

The belt clip can be installed on the left or right side of the nailer, depending on operator preference.

- Align belt clip and screw with right or left side screw hole.
- Using a phillips head screwdriver (not included) tighten securely.

INSTALLING/REMOVING BATTERY PACK

See Figure 2, page 13.

- **To install**, place battery pack in the tool. Align raised rib on battery pack with the groove inside the tool.
- Make sure the latches on both sides of the battery pack snap in place and battery pack is secured in the tool before beginning operation.

NOTE: Squeeze LED light grip switch to reactivate nailer.

NOTICE:

When placing battery pack in the tool, be sure raised rib on battery pack aligns with the bottom of the tool and latches into place properly. Improper installation of the battery pack can cause damage to internal components.

APPLICATIONS

You may use this tool for the purposes listed below:

- Finish and Trim (Interior and exterior)
- Door & Window Casing
- Door Jambs
- Baseboard
- Crown Molding
- Cabinetry
- Cap and Shoe Molding
- Molding

OPERATION

- **To remove**, locate latches on both sides of battery pack and depress to release battery pack from the tool.
- The battery pack will disconnect in direction to be removed when latches are depressed.

NO-MAR PAD

See Figure 3, page 13.

The no-mar pad attached to the nose of the tool helps prevent marring and denting when working with softer woods.

WARNING:

Remove the battery pack from the tool before removing or replacing the no-mar pad. Failure to do so could result in serious personal injury.

The pad can be removed by pulling it down and away from the nose. To replace the pad, fit it into place over the nose and push up at the back to reseal.

On-board storage for the pad is located on the magazine of the tool. An extra no-mar pad is provided in the on-board storage area.

LOADING THE TOOL WITH NAILS

See Figures 4 - 5, page 13.

- Remove battery pack from the tool, if installed.
- Depress the release button and slide the pusher all the way to the rear of the magazine until it locks in place.
- With the nose of the tool pointed away from you, feed a strip of nails into the magazine. Be sure the nails are pointed downward and at the angle shown.

WARNING:

Keep the tool pointed away from yourself and others when loading nails. Failure to do so could result in possible serious personal injury.

- Press the release button to release the pusher and allow it to push the nails up to the driving mechanism. The pusher will stop when it rests against the end of the nail strip.

NOTE: Do not allow the pusher to snap back into place.

WARNING:

Use only the nails recommended for use with this tool. The use of any other nails can result in tool malfunction, leading to serious injuries.

WARNING:

Never load nails with the workpiece contact or trigger activated. Doing so could result in possible serious personal injury.

SETTING THE AIR PRESSURE

See Figure 6, page 14.

The amount of air pressure required will depend on the size of the nail and the workpiece material.

Begin testing the depth of drive by driving a test nail into the same type of workpiece material used for the actual job.

- Remove battery pack from the tool, if installed.
- Move air pressure lever to the right to increase air pressure or to the left to decrease pressure.

It may be possible to achieve the desired depth with air pressure adjustments alone. If finer adjustments are needed, use the depth of drive adjustment on the tool.

NOTE: Under some conditions, the unit may not deliver a nail when the air pressure lever is moved to the MAXIMUM pressure setting. The user may need to decrease the pressure setting for desired operation.

DEPTH OF DRIVE ADJUSTMENT

See Figure 7, page 14.

The driving depth of the nail may be adjusted beyond air pressure. It is advisable to test the depth on a scrap workpiece to determine the required depth for the application.

To determine depth of drive, first adjust the air pressure and drive a test nail. To achieve the desired depth, use the depth of drive adjustment on the tool. Harder materials and longer nails will require more force to drive the nail.

- Remove battery pack from the tool, if installed.
- Turn the depth of drive adjustment left or right to change the driving depth.
- Reinstall battery and reactivate the tool by pressing the worklight grip switch.
- Drive a test nail after each adjustment until the desired depth is set.

NOTE: Set depth of drive at the shallowest depth that will meet your needs.

USING THE TRIGGER MODE SELECTOR

See Figures 8 - 9, page 14.

WARNING:

Never wedge or hold back the workpiece contact mechanism during operation of the tool. Doing so could result in possible serious injury.

This tool is shipped from the factory with the trigger mode selector set in the Single Sequential Actuation mode. The trigger mode selector can also be set for Contact Actuation mode.

SINGLE SEQUENTIAL ACTUATION MODE

Single sequential actuation provides the most accurate fastener placement.

- Remove battery pack from the tool.

OPERATION

- Slide the selector to position (T).

WARNING:

The nailer will not function properly if the selector is not securely seated in either position (T) or (TTT). Always assure the selector is seated properly to avoid an unexpected nail discharge and possible serious personal injury.

- Reinstall the battery pack.
- Grip the tool firmly to maintain control. Position the nose of the tool onto the work surface.
- Push the tool against the work surface to depress the workpiece contact.
- Squeeze the trigger to drive a fastener.

NOTE: Hold trigger until drive cycle is complete. If depressing the trigger does not drive a fastener, lift the tool away from the workpiece, then replace and try driving the fastener again.

CONTACT ACTUATION MODE

Contact actuation allows very fast repetitive fastener placement.

- Remove the battery pack from the tool.
- Slide the selector to position (TTT).
- Reinstall the battery pack.
- Grip the tool firmly to maintain control.
- Squeeze and hold the trigger. Push the tool against the work surface to depress the workpiece contact and drive a nail.

NOTE: Hold trigger until drive cycle is complete.

- Always remove your finger from the trigger when the desired number of nails has been driven.

NOTE: In Contact Actuation Mode, the tool may also be operated by depressing the workpiece contact against the surface and squeezing the trigger.

WARNING:

During normal use the tool will recoil immediately after driving a fastener. This is a normal function of the tool. Do not attempt to prevent the recoil by holding the nailer against the work. Restriction to the recoil can result in a second fastener being driven from the nailer. Failure to heed this warning can result in serious personal injury.

DRY-FIRE LOCKOUT

When the magazine has 0-5 nails remaining, the dry-fire lockout feature will not allow continued operation.

To resume operation, reload the tool with nails.

LED WORKLIGHT

See Figure 10, page 14.

- To turn on the LEDs, press LED worklight grip switch while firmly holding tool during normal operation.

DIAGNOSTIC FEEDBACK

The LED Worklight provides feedback to indicate whether the battery pack is charged sufficiently and/or if the tool is functioning properly.

If worklight is flashing, install fully charged battery. If light continues to flash, see *Troubleshooting* section for more information.

If the LED light goes out on your nailer, the unit has timed out for your protection. Lift tool from the workpiece and release trigger to reactivate the nailer before beginning next drive cycle.

REMOVING NAILS FROM THE TOOL

See Figure 11, page 14.

WARNING:

Remove the battery pack before removing nails or clearing a jammed nail. Failure to do so could result in serious personal injury.

- To remove a strip of nails from the tool, hold the finish nailer by the handle with your right hand, and rest your left hand underneath the tool with your left thumb on the pusher.
- Depress the release button and slide the pusher all the way to the rear of the magazine until it locks in place.
NOTE: Always keep fingers clear of nail track of magazine to prevent injury from unintended release of the pusher.
- Slide the nails toward the back of the magazine and remove.

CLEARING A JAMMED FASTENER

See Figure 12, page 15.

WARNING:

Remove the battery pack from the tool before clearing a jammed fastener. Failure to do so could result in serious personal injury.

Driving too deeply into the material, excess debris, or jammed nails may lead to the driver mechanism being stuck at its bottom position.

OPERATION

The driver mechanism can usually be returned to its operating position by depressing the work contact element against a scrap piece of wood and squeezing the trigger.

If this does not automatically return the driver mechanism into the tool, the tool may be jammed.

If a nail or fastener becomes jammed in the tool, remove the battery pack and keep the tool pointed away from you while clearing the jam.

- Remove battery pack from the tool.

- Remove fasteners from the tool.
- Pull up on the latch and open the jam release.
- Insert a flat blade screwdriver into the tip of the driving mechanism and push the driver mechanism back, freeing the nail jam.
- Remove the bent nail.
- Close the jam release and latch.
- Reinstall nails.
- Reinstall the battery, reactivate tool.

TROUBLESHOOTING

PROBLEM	POSSIBLE CAUSE	SOLUTION
Work-contacting element does not depress fully - tool does not operate.	Low nails Work-contacting element is jammed	Replenish nails Remove battery and clear debris
Tool operates properly, but fasteners do not drive fully	Air pressure is too low Depth of drive isn't deep enough Nail is too long for wood hardness	Increase air pressure Adjust depth of drive Use nail length that is appropriate for wood
Tool operates properly, but fasteners are driven too deep	Air pressure is too high Depth of drive is too deep	Decrease air pressure Adjust depth of drive
Tool jams frequently	Incorrect nails Damaged nails Loose magazine Dirty magazine	Verify that nails are the correct size Replace nails Tighten screws Clean magazine
Tool stops and LED flashes rapidly	Battery is low or has no charge. Tool is hot	Recharge battery Allow tool to cool
Tool has charged battery and LED is slowly flashing or LED does not turn off after approximately ten seconds of non-use.	Tool has malfunctioned	Take tool to nearest authorized repair center

NOTE: FIGURES (ILLUSTRATIONS) START ON PAGE 13 AFTER FRENCH AND SPANISH LANGUAGE SECTIONS.

**This product has a Three-year Limited Warranty.
For Warranty details go to www.ryobitools.com**

RÈGLES DE SÉCURITÉ RELATIVES AUX OUTILS ÉLECTRIQUES

AVERTISSEMENT

Lire tous les avertissements et toutes les instructions. Ne pas suivre l'ensemble des avertissements et des instructions peut entraîner une électrocution, un incendie ou des blessures graves.

Conserver les avertissements et les instructions à des fins de référence ultérieure. Le terme « outil motorisé », utilisé dans tous les avertissements ci-dessous désigne tout outil fonctionnant sur secteur (câblé) ou sur piles (sans fil).

SÉCURITÉ DU LIEU DE TRAVAIL

- **Garder le lieu de travail propre et bien éclairé.** Les endroits encombrés ou sombres sont propices aux accidents.
- **Ne pas utiliser d'outils électriques dans des atmosphères explosives, par exemple en présence de liquides, gaz ou poussières inflammables.** Les outils électriques produisent des étincelles risquant d'enflammer les poussières ou vapeurs.
- **Garder les enfants et badauds à l'écart pendant l'utilisation d'un outil électrique.** Les distractions peuvent causer une perte de contrôle.

SÉCURITÉ ÉLECTRIQUE

- **Les fiches des outils électriques doivent correspondre à la prise secteur utilisée. Ne jamais modifier la fiche, de quelque façon que ce soit. Ne jamais utiliser d'adaptateurs de fiche avec des outils mis à la terre.** Les fiches et prises non modifiées réduisent le risque de choc électrique.
- **Éviter tout contact du corps avec des surfaces mises à la terre, telles que tuyaux, radiateurs, cuisinières et réfrigérateurs.** Le risque de choc électrique est accru lorsque le corps est mis à la terre.
- **Ne pas exposer les outils électriques à l'eau ou l'humidité.** La pénétration d'eau dans ces outils accroît le risque de choc électrique.
- **Ne pas maltraiter le cordon d'alimentation. Ne jamais utiliser le cordon d'alimentation pour transporter l'outil et ne jamais débrancher ce dernier en tirant sur le cordon. Garder le cordon à l'écart de la chaleur, de l'huile, des objets tranchants et des pièces en mouvement.** Un cordon endommagé ou emmêlé accroît le risque de choc électrique.
- **Pour les travaux à l'extérieur, utiliser un cordon spécialement conçu à cet effet.** Utiliser un cordon conçu pour l'usage extérieur pour réduire les risques de choc électrique.
- **S'il est nécessaire d'utiliser l'outil électrique dans un endroit humide, employer un dispositif interrupteur de défaut à la terre (GFCI).** L'utilisation d'un GFCI réduit le risque de décharge électrique.
- **Ne recharger les piles qu'avec l'appareil indiqué.** Pour utiliser l'appareil avec des piles au nickel-cadmium et au lithium-ion de 18 V, consulter le supplément de raccordement pour chargeur/outils/piles/appareil n° 987000-432.

SÉCURITÉ PERSONNELLE

- **Rester attentif, prêter attention au travail et faire preuve de bon sens lors de l'utilisation de tout outil électrique. Ne pas utiliser cet outil en état de fatigue ou sous l'influence de l'alcool, de drogues ou de médicaments.** Un moment d'inattention pendant l'utilisation d'un outil électrique peut entraîner des blessures graves.
- **Utiliser l'équipement de sécurité. Toujours porter une protection oculaire.** L'équipement de sécurité, tel qu'un masque filtrant, de chaussures de sécurité, d'un casque ou d'une protection auditive, utilisé dans des conditions appropriées réduira le risque de blessures.
- **Éviter les démarrages accidentels. S'assurer que le commutateur est en position d'arrêt avant de brancher l'outil.** Porter un outil avec le doigt sur son commutateur ou brancher un outil dont le commutateur est en position de marche peut causer un accident.
- **Retirer les clés de réglage avant de mettre l'outil en marche.** Une clé laissée sur une pièce rotative de l'outil peut causer des blessures.
- **Ne pas travailler hors de portée. Toujours se tenir bien campé et en équilibre.** Ceci permettra de mieux contrôler l'outil en cas de situation imprévue.
- **Porter une tenue appropriée. Ne porter ni vêtements amples, ni bijoux. Garder les cheveux, les vêtements et les gants à l'écart des pièces en mouvement.** Les vêtements amples, bijoux et cheveux longs peuvent se prendre dans les pièces en mouvement.
- **Si les outils sont équipés de dispositifs de dépoussiérage, s'assurer qu'ils sont connectés et correctement utilisés.** L'usage de ces dispositifs de dépoussiérage peut réduire les dangers présentés par la poussière.
- **Ne porter ni vêtements amples, ni bijoux. Attacher ou couvrir les cheveux longs.** Les vêtements amples, bijoux et cheveux longs peuvent se prendre dans les ouïes d'aération.
- **Ne pas utiliser l'outil sur une échelle ou un support instable.** Une bonne tenue et un bon équilibre permettent de mieux contrôler l'outil en cas de situation imprévue.

UTILISATION ET ENTRETIEN DES OUTILS ÉLECTRIQUES

- **Ne pas forcer l'outil. Utiliser l'outil approprié pour l'application.** Un outil approprié exécutera le travail mieux et de façon moins dangereuse s'il est utilisé dans les limites prévues.
- **Ne pas utiliser l'outil si le commutateur ne permet pas de le mettre en marche ou de l'arrêter.** Tout outil qui ne peut pas être contrôlé par son commutateur est dangereux et doit être réparé.
- **Débrancher l'outil et/ou retirer le bloc-piles avant d'effectuer des réglages, de changer d'accessoire ou de remiser l'outil.** Ces mesures de sécurité préventives réduisent les risques de démarrage accidentel de l'outil.

RÈGLES DE SÉCURITÉ RELATIVES AUX OUTILS ÉLECTRIQUES

- **Ranger les outils motorisés hors de la portée des enfants et ne laisser personne n'étant pas familiarisé avec l'outil ou ces instructions utiliser l'outil.** Dans les mains de personnes n'ayant pas reçu des instructions adéquates, les outils sont dangereux.
- **Entretenir les outils motorisés. Vérifier qu'aucune pièce mobile n'est mal alignée ou bloquée, qu'aucune pièce n'est brisée et s'assurer qu'aucun autre problème ne risque d'affecter le bon fonctionnement de l'outil. En cas de dommages faire réparer l'outil avant de l'utiliser de nouveau.** Beaucoup d'accidents sont causés par des outils mal entretenus.
- **Garder les outils bien affûtés et propres.** Des outils correctement entretenus et dont les tranchants sont bien affûtés risquent moins de se bloquer et sont plus faciles à contrôler.
- **Utiliser l'outil, les accessoires et embouts, etc. conformément à ces instructions pour les applications pour lesquelles ils sont conçus, en tenant compte des conditions et du type de travail à exécuter.** L'usage d'un outil motorisé pour des applications pour lesquelles il n'est pas conçu peut être dangereux.
- **Utiliser exclusivement le bloc-pile spécifiquement indiqué pour l'outil.** L'usage de tout autre bloc peut créer un risque de blessures et d'incendie.
- **Lorsque le bloc-piles n'est pas en usage, le garder à l'écart d'articles tels qu'attaches trombones, pièces de monnaie, clous, vis ou autres petits objets métalliques risquant d'établir le contact entre les deux bornes.** La mise en court-circuit des bornes de piles peut causer des irritations ou des brûlures.
- **En cas d'usage abusif, du liquide peut s'échapper des piles. Éviter tout contact avec ce liquide. En cas de contact accidentel, rincer immédiatement les parties atteintes avec de l'eau. En cas d'éclaboussure dans les yeux consulter un médecin.** Le liquide s'échappant des piles peut causer des irritations ou des brûlures.

UTILISATION ET ENTRETIEN DE LA PILE

- **Ne recharger qu'avec l'appareil spécifié par le fabricant.** Un chargeur approprié pour un type de pile peut créer un risque d'incendie s'il est utilisé avec un autre type de pile.

DÉPANNAGE

- **Les réparations doivent être confiées à un technicien qualifié, utilisant exclusivement des pièces identiques à celles d'origine.** Ceci assurera le maintien de la sécurité de l'outil.
- **Utiliser exclusivement des pièces identiques à celles d'origine pour les réparations. Se conformer aux instructions de la section Entretien de ce manuel.** L'usage de pièces non autorisées ou le non-respect des instructions peut présenter des risques de choc électrique ou de blessures.

RÈGLES DE SÉCURITÉ RELATIVES AUX CLOUEUSE

- **Toujours présumer que l'outil contient des attaches.** La manipulation inadéquate de la cloueuse peut provoquer un tir accidentel d'attaches et causer des blessures.
- **Ne pas pointer l'outil vers soi ou d'autres personnes.** L'actionnement accidentel entraînera le tir d'une attache et causera des blessures.
- **Ne pas actionner l'outil s'il n'est pas fermement appuyé sur la pièce à clouer.** Lorsque l'outil n'est pas en contact avec la pièce à clouer, l'attache peut être déviée de sa cible.
- **Débrancher l'outil de la source d'alimentation lorsque les confitures de fixation de l'outil.** Tout en retirant une agrafe coincée, l'agrafeuse peut être activé accidentellement s'il est branché po.
- **Être prudent lors du retrait d'une attache bloquée.** Le mécanisme peut être comprimé et l'attache peut être projetée avec force pendant la tentative de délogement.
- **Ne pas utiliser cette cloueuse pour fixer du câblage électrique.** Cet outil n'est pas conçu pour fixer du câblage électrique et peut endommager l'isolant des câbles et des risques d'électrocution et d'incendie.
- **Lorsque l'outil est utilisé pour un travail risquant de le mettre en contact avec des fils électriques cachés, le tenir par les surfaces de prise isolées.** Le contact d'un dispositif de fixation avec un fil sous tension « électrifié » les pièces métalliques exposées de l'outil et peut électrocuter l'utilisateur.
- **Apprendre à connaître l'outil. Lire attentivement le manuel d'utilisation. Apprendre les applications et les limites de l'outil, ainsi que les risques spécifiques relatifs à son utilisation.** Le respect de cette consigne réduira les risques d'incendie, de choc électrique et de blessures graves.
- **Toujours porter une protection oculaire avec écran de protection latérale certifiée conforme à la norme ANSI Z87.1.** Les lunettes de vue ordinaires ne sont munies que de verres résistants aux chocs. Ces dernières ne sont PAS des lunettes de sécurité. Le respect de cette règle réduira les risques de blessures graves.
- **Lors du chargement, de l'utilisation ou de l'entretien de cet outil, l'opérateur et les personnes se trouvant sur le lieu de travail doivent TOUJOURS porter un dispositif oculaire à protection FRONTALE et LATÉRALE, conforme aux normes ANSI.** Une telle protection est requise, car les clous / agrafes et débris projetés peuvent causer des lésions oculaires graves.
- **Il incombe à l'employeur et / ou l'utilisateur de veiller à ce qu'une protection oculaire adéquate soit utilisée.** Nous recommandons d'utiliser un masque facial à champ de vision se portant par-dessus des lunettes de vue ou de sécurité et protégeant des débris projetés sur le devant et les côtés. Toujours porter une protection oculaire certifiée conforme à la norme ANSI Z87.1.

RÈGLES DE SÉCURITÉ RELATIVES AUX CLOUEUSES

- **Des équipements de protection supplémentaires sont requis dans certains environnements.** Par exemple, le lieu de travail peut présenter un niveau de bruit susceptible d'entraîner des lésions auditives. Il incombe à l'opérateur et à l'utilisateur qu'une protection auditive soit fournie et utilisée par l'opérateur et les autres personnes se trouvant sur le lieu de travail. Certains environnements requièrent le port d'un casque. Il incombe à l'employeur et / ou l'utilisateur de veiller à ce qu'un casque conforme à la norme ANSI Z89.1-1997 soit utilisé.
- **Excepté pour planter des clous, garder les doigts à l'écart de la gâchette, pour éviter un déclenchement accidentel.**
- **Utiliser l'équipement de sécurité. Toujours porter une protection oculaire.** Suivant les conditions, le port d'un masque antipoussière, de chaussures de sécurité, d'un casque ou d'une protection auditive est recommandé.
- **Protection respiratoire. Porter un masque facial ou un masque antipoussière si le travail produit de la poussière.** Le respect de cette consigne réduira les risques de blessures graves.
- **Protection auditive. Porter une protection auditive lors de l'utilisation prolongée.** Le respect de cette règle réduira les risques de blessures graves.
- **Les outils fonctionnant sur piles n'ayant pas besoin d'être branchés sur une prise secteur, ils sont toujours en état de fonctionnement. Tenir compte des dangers possibles lorsque l'outil n'est pas en usage et lors du remplacement des piles.** Le respect de cette consigne réduira les risques d'incendie, de choc électrique et de blessures graves.
- **Ne pas placer les outils électriques sans fil ou leurs piles à proximité de flammes ou d'une source de chaleur.** Ceci réduira les risques d'explosion et de blessures.
- **Ne pas écraser, faire tomber ou endommager le bloc-piles. Ne jamais utiliser un bloc-piles ou un chargeur qui est tombé, a été écrasé, a reçu un choc violent ou a été endommagé de quelque façon que ce soit.** Une pile endommagée risque d'exploser. Éliminer immédiatement toute pile endommagée, selon une méthode appropriée.
- **Les piles peuvent exploser en présence d'une source d'allumage, telle qu'une veilleuse.** Pour réduire les risques de blessures graves, ne jamais utiliser un appareil sans fil, quel qu'il soit, en présence d'une flamme vive. En explosant, une pile peut projeter des débris et des produits chimiques. En cas d'exposition, rincer immédiatement les parties atteintes avec de l'eau.
- **Ne pas recharger un outil fonctionnant sur piles dans un endroit humide ou mouillé.** Le respect de cette règle réduira les risques de choc électrique.
- **Pour un résultat optimal, les piles de l'outil doivent être rechargées dans un local où la température est de 10 à 38 °C (50 à 100 °F). Ne pas ranger l'outil à l'extérieur ou dans un véhicule.**
- **Si l'outil est utilisé de façon intensive ou sous des températures extrêmes, des fuites de piles peuvent se produire. En cas de contact du liquide avec la peau, rincer immédiatement la partie atteinte avec de l'eau savonneuse, puis neutraliser avec du jus de citron ou du vinaigre. En cas d'éclaboussure dans les yeux, les rincer à l'eau fraîche pendant au moins 10 minutes, puis contacter immédiatement un médecin.** Le respect de cette règle réduira les risques de blessures graves.
- **L'outil ne doit être utilisé que pour les applications pour lesquelles il est conçu.** Ne pas décharger des clous dans le vide.
- **Cet outil ne doit être utilisé que pour les applications pour lesquelles il est conçu.**
- **Utiliser seulement les agrafes recommandées pour cet outil.** L'utilisation du mauvais type d'agrafes pourrait nuire au débit des agrafes et entraîner des bourrages d'agrafes ainsi que l'éjection des clous de l'outil à des angles irréguliers. Si le débit des agrafes n'est pas constant et fluide, cesser de les utiliser sur le champ. Les bourrages et un débit d'agrafes irrégulier peuvent occasionner des blessures graves.
- **Ne jamais utiliser cet outil de façon à ce qu'un clou puisse être dirigé vers quoi que ce soit d'autre que la pièce à clouer.**
- **Ne pas utiliser cet outil comme un marteau.**
- **Toujours transporter l'outil par la poignée.**
- **Ne pas altérer ou modifier cet outil, ni l'utiliser pour des fonctions autres que celles prévues, sans autorisation préalable de son fabricant.**
- **Ne jamais oublier qu'un usage incorrect ou abusif de cet outil peut mettre l'opérateur et les autres personnes présentes en danger.**
- **Ne jamais bloquer la gâchette ou le contact de la clouuse en position de déclenchement avec du ruban adhésif ou un quelconque autre système.**
- **Ne jamais laisser l'outil sans surveillance avec le bloc-piles installée.**
- **Ne pas utiliser cet outil s'il ne comporte pas d'autocollant d'avertissement.**
- **Garder l'outil et sa poignée secs, propres et exempts d'huile ou de graisse.** Toujours utiliser un chiffon propre pour le nettoyage. Ne jamais utiliser de liquide de freins, d'essence, de produits à base de pétrole ou de solvants forts pour nettoyer l'outil. Le respect de cette règle réduira les risques de perte du contrôle et d'endommagement du boîtier en plastique.

UTILISATION




- **Ne pas utiliser l'outil si la gâchette ne fonctionne pas correctement.** Tout outil qui ne peut pas être contrôlé par la gâchette est dangereux et doit être réparé.
- **Vérifier le mécanisme de contact de la tête de l'outil fréquemment.** Ne pas utiliser l'outil si le mécanisme de déclenchement par contact ne fonctionne pas correctement, car l'éjection accidentelle d'une agrafe pourrait se produire. Ne pas empêcher le fonctionnement correct du mécanisme de contact de la tête de la cloueuse.

RÈGLES DE SÉCURITÉ RELATIVES AUX CLOUEUSE







- **Ne pas utiliser un outil qui ne fonctionne pas correctement.**
 - **Toujours présumer que l'outil contient des clous / agrafes.**
 - **Ne pas transporter l'outil avec le doigt sur la gâchette.** Un clou pourrait être éjecté accidentellement.
 - **Toujours manipuler l'outil avec précaution :**
 - Respecter cet outil comme tout équipement de travail.
 - Ne pas l'utiliser comme un jouet.
 - Ne jamais appuyer sur la gâchette si la tête de l'outil n'est pas dirigée vers la pièce à clouer.
 - Garder toutes les personnes présentes à distance sûre de l'outil, car un éventuel déclenchement accidentel pourrait entraîner des blessures.
 - **Le choix de la méthode de déclenchement est important. Voir les options de déclenchement dans le manuel.**
 - **Ne pas tenir l'outil par la face avant du chargeur.** Tenir les mains, la tête et toute autre partie du corps à distance du point d'éjection des clous, près du chargeur, afin d'éviter des blessures graves.
 - **Ne pointer l'outil ni vers soi, ni vers quiconque, qu'il contienne des clous ou non.**
 - **N'actionner l'outil que pour planter un clou dans la pièce à assujettir.**
 - **Toujours s'assurer que la surface de contact est exactement positionnée sur la pièce à clouer.** Un positionnement seulement partiel de la surface de contact sur la pièce à clouer peut occasionner des blessures graves car l'agrafe risque d'être éjectée complètement à côté de la pièce.
 - **Ne pas planter de clous près du bord du matériau.** La pièce à clouer peut se fendre, causant un ricochet du clou, qui risque alors de blesser l'opérateur ou une autre personne présente. Ne pas oublier que le clou peut suivre le grain du bois et que sa pointe peut ressortir inopinément par le bord de la planche.
 - **Garder les mains et toutes les parties du corps à l'écart du point à clouer.** Au besoin, assujettir la pièce à clouer avec des serre-joint pour garder les mains à l'écart de la zone dangereuse. S'assurer que la pièce à clouer est correctement assujettie avant d'appuyer la cloueuse à sa surface. Le contact de la cloueuse peut causer un déplacement inopiné de la pièce.
 - **Lors du travail dans des endroits confinés, garder le visage et le corps à l'écart de l'arrière de l'outil.** Un recul brusque peut projeter la cloueuse contre le corps, en particulier lors du clouage de matériaux denses.
 - **Durant l'utilisation normale de l'outil, un recul se produit lorsqu'un clou est planté. Ce recul est normal.** Ne pas essayer de l'empêcher en maintenant l'outil contre la pièce à clouer. Empêcher le recul pourrait causer l'éjection d'un second clou. Le non respect de cette mise en garde peut entraîner des blessures graves.
 - **Ne pas planter un clou sur un autre ou avec l'outil à un angle trop prononcé, car le clou pourrait dévier et blesser quelqu'un.**
- ## CHARGEMENT DE L'OUTIL
- **Ne pas charger l'outil lorsque l'une des commandes de déclenchement est activée.**
- Lors du chargement de l'outil :
- **Ne jamais placer une main ou une partie quelconque du corps devant la tête de l'outil.**
 - **Ne jamais pointer l'outil sur qui que ce soit.**
 - **Ne pas appuyer sur la gâchette ou sur le mécanisme de contact, car l'outil pourrait éjecter une agrafe, risquant blesser quelqu'un.**
- ## CONSERVER CES INSTRUCTIONS
- Les consulter fréquemment et les utiliser pour instruire les autres utilisateurs éventuels. Si cet outil est prêté, il doit être accompagné de ces instructions.

SYMBOLES

Les termes de mise en garde suivants et leur signification ont pour but d'expliquer le degré de risques associé à l'utilisation de ce produit.

SYMBOLE	SIGNAL	SIGNIFICATION
	DANGER :	Indique une situation extrêmement dangereuse qui, si elle n'est pas évitée, aura pour conséquences des blessures graves ou mortelles.
	AVERTISSEMENT :	Indique une situation potentiellement dangereuse qui, si elle n'est pas évitée, pourrait entraîner des blessures graves ou mortelles.
	ATTENTION :	Indique une situation potentiellement dangereuse qui, si elle n'est pas évitée, pourrait entraîner des blessures légères ou de gravité modérée.
	AVIS :	(Sans symbole d'alerte de sécurité) Indique une information importante ne concernant pas un risque de blessure comme une situation pouvant occasionner des dommages matériels.

Certains des symboles ci-dessous peuvent être utilisés sur produit. Veiller à les étudier et à apprendre leur signification. Une interprétation correcte de ces symboles permettra d'utiliser produit plus efficacement et de réduire les risques.

SYMBOLE	NOM	DÉSIGNATION / EXPLICATION
	Symbole d'alerte de sécurité	Indique un risque de blessure potentiel.
	Lire le manuel d'utilisation	Pour réduire les risques de blessures, l'utilisateur doit lire et veiller à bien comprendre le manuel d'utilisation avant d'utiliser ce produit.
	Protection oculaire	Toujours porter une protection oculaire avec écrans latéraux certifiée conforme à la norme ANSI Z87.1.
	Garder les mains à l'écart	Garder les mains et le corps à l'écart de de la décharge de l'outil.
	Avertissement concernant l'humidité	Ne pas exposer à la pluie ou l'humidité.
	Symboles de recyclage	Ce produit utilise les piles de nickel-cadmium (Ni-Cd) ou lithium-ion (Li-ion). Les réglementations locales ou gouvernementales peuvent interdire de jeter les piles dans les ordures ménagères. Consulter les autorités locales compétentes pour les options de recyclage et/ou l'élimination.
V	Volts	Tension
A	Ampères	Courant
Hz	Hertz	Fréquence (cycles par seconde)
min	Minutes	Temps
—	Courant continu	Type ou caractéristique du courant
n_0	Vitesse à vide	Vitesse de rotation à vide
.../min	Par minute	Tours, coups, vitesse périphérique, orbites, etc., par minute

GLOSSAIRE

Activer (commandes de l'outil)

Mettre une commande sur une position déclenchant ou permettant de déclencher l'outil.

Actionner (outil)

Causer le mouvement des pièces conçues pour chasser une agrafe.

Système de déclenchement

Gâchette, déclencheur par contact et / ou autre commande qui, utilisées séparément ou conjointement déclenchent l'outil.

• Déclenchement par séquence unique

Système de déclenchement comprenant plus d'une commande et dont les commandes doivent être actionnées dans un ordre donné pour déclencher l'outil. Le déclenchement peut être répété lorsqu'une commande, autre que le déclencheur par contact, est relâchée, puis actionnée de nouveau.

• Déclenchement par contact

Système de déclenchement comprenant plus d'une commande et dont les commandes doivent être actionnées dans n'importe quel ordre pour déclencher

l'outil. Le déclenchement peut être répété lorsqu'une commande est relâchée, puis actionnée de nouveau.

Pièce de fixation

Agrafe, cheville, clou ou autre pièce de fixation conçue et fabriquée pour être utilisée pour les outils répondant à cette norme.

Blocage

Obstruction dans le système d'alimentation ou de décharge de l'outil.

Commande

Dispositif qui, séparément ou en conjonction avec un système, peut causer le déclenchement de l'outil.

Gâchette

Commande de l'outil actionnée par le doigt de l'opérateur.

Pièce

Objet dans lequel un clou, une agrafe ou autre pièce de fixation est enfoncé par l'outil.

Contact de déclenchement

Pièce ou partie de l'outil conçue pour le déclencher par contact avec la pièce à assujettir.

PROPOSITION 65 DE LA CALIFORNIE

AVERTISSEMENT :

Ce produit et la poussière dégagée lors du ponçage, sciage, meulage, perçage de certains matériaux et lors d'autres opérations de construction peuvent contenir des produits chimiques, notamment du plomb qui, selon l'État de la Californie, peuvent causer le cancer, des anomalies congénitales et d'autres dommages au système reproducteur. **Bien se laver les mains après toute manipulation.**

Voici certains exemples de ces produits chimiques :

- le plomb contenu dans la peinture au plomb,
- la silice cristalline contenue dans les briques, le béton et d'autres produits de maçonnerie, ainsi que
- l'arsenic et le chrome contenus dans le bois de construction traité par produits chimiques.

Le risque présenté par l'exposition à ces produits varie en fonction de la fréquence de ce type de travail. Pour réduire l'exposition, : travailler dans un endroit bien aéré et utiliser des équipements de sécurité approuvés tels que masques antipoussière spécialement conçus pour filtrer les particules microscopiques.

CARACTÉRISTIQUES

FICHE TECHNIQUE

Moteur 18 V c.c.
Capacité du magasin 100 clous

Type de pièces de fixation..... Calibre 16
Longueur du clou de finition..... 3/4 à 2,5 po

ASSEMBLAGE

AVERTISSEMENT :

Ne pas utiliser le produit s'il n'est pas complètement assemblé ou si des pièces semblent manquantes ou endommagées. L'utilisation d'un produit dont l'assemblage est incorrect ou incomplet ou comportant des pièces endommagées ou absentes représente un risque de blessures graves.

Si des pièces sont manquantes ou endommagées, appeler le 1-800-525-2579.

AVERTISSEMENT :

Ne pas essayer de modifier cet outil ou de créer des pièces et accessoires non recommandés. De telles altérations ou modifications sont considérées comme un usage abusif et peuvent créer des conditions dangereuses, risquant d'entraîner des blessures graves.

UTILISATION

AVERTISSEMENT :

Ne pas laisser la familiarité avec l'outil faire oublier la prudence. Ne pas oublier qu'une fraction de seconde d'inattention peut entraîner des blessures graves.

AVERTISSEMENT :

Toujours retirer la pile de l'outil au moment d'assembler des pièces, d'effectuer des réglages et de procéder au nettoyage, ou lorsque l'outil n'est pas utilisé. Le fait de retirer la pile permet d'empêcher un démarrage accidentel pouvant entraîner des blessures graves.

AVERTISSEMENT :

Toujours porter une protection oculaire certifiée conforme à la norme ANSI Z87.1. Si cette précaution n'est pas prise, des objets peuvent être projetés dans les yeux et causer des lésions graves.

APPLICATIONS

Cet outil peut être utilisé pour les applications ci-dessous :

- Finition et décoration (intérieur et extérieur)
- Encadrement de portes et fenêtres
- Montants de porte
- Plinthes

- Moulure couronnée
- Ébénisterie
- Moulures de plinthes et cimaises
- Moulures
- Escaliers
- Cadres de portes et fenêtres
- Protections murales
- Coffrages
- Planchers en bois
- Panneautage
- Fabrication de meubles

AGRAFE POUR COURROIE

Voir la figure 1, page 13.

L'agrafe pour courroie peut être installée du côté gauche ou droit de la cloueuse, selon les préférences de l'utilisateur.

- Aligner l'agrafe pour courroie et la vis avec l'orifice pour vis droit ou gauche.
- Utiliser un tournevis à tête cruciforme (non fourni) pour visser fermement.

INSTALLATION / RETRAIT DU BLOC-PILES

Voir la figure 2, page 13.

- **Pour installer**, insérer le bloc-piles dans l'outil. Aligner la nervure du bloc-piles sur la rainure intérieure de l'outil.
- S'assurer que ses deux loquets latéraux s'engagent correctement et vérifier que le bloc-piles est bien fixé avant d'utiliser l'outil.

NOTE : Presser l'interrupteur d'éclairage DEL sur la prise pour réactiver la cloueuse.

UTILISATION

AVIS :

Lors de l'installation du bloc-piles, veiller à ce que sa nervure s'aligne sur le bas de l'outil et que les loquets latéraux s'engagent correctement. Une insertion incorrecte du bloc-piles peut causer des dommages aux composants internes.

- **Pour retirer**, appuyer sur les deux loquets se trouvant sur les côtés du bloc-piles pour le séparer de l'outil.
- Lorsque les loquets sont pressés, le bloc-piles est libéré, dans le sens dans lequel il doit être retiré.

COUSSINET DE PROTECTION

Voir la figure 3, page 13.

Le coussinet de protection empêche de marquer ou d'érafler les bois tendres.

AVERTISSEMENT :

Retirer la pile de l'outil avant de retirer le coussinet de protection ou de le remettre en place. Ne pas prendre cette précaution peut entraîner des blessures graves.

Le coussinet peut être retiré en le tirant vers le bas et vers l'avant. Pour remettre le coussinet en place, le placer sur la tête et le pousser vers le haut pour l'engager.

Un compartiment de rangement du coussinet est prévu sur le magasin de l'outil. Ce compartiment contient un coussinet de rechange.

CHARGEMENT DES CLOUS

Voir les figures 4 et 5, page 13.

- Retirer le bloc-piles, s'il est installé.
- Appuyer sur le bouton de déverrouillage et glisser complètement le poussoir vers l'arrière du magasin jusqu'à ce qu'il s'enclenche fermement.
- La tête de l'outil étant dirigée à l'écart de soi, insérer une bande de clous dans le magasin. S'assurer que les clous sont à l'angle indiqué, leur pointe dirigée vers le bas.

AVERTISSEMENT :

Veiller à ne pointer l'outil ni vers soi, ni vers d'autres personnes lors du chargement de clous. Ne pas prendre cette précaution pourrait entraîner des blessures graves.

- Appuyer sur le bouton de déverrouillage pour relâcher le poussoir et le laisser pousser les clous jusqu'au mécanisme d'entraînement. Le poussoir s'arrête lorsqu'il est appuyé contre l'extrémité de la bande de clous.

NOTE : Ne pas laisser le poussoir se rabattre brusquement.

AVERTISSEMENT :

Utiliser exclusivement les clous recommandés pour cet outil. L'usage d'autres clous peut causer un mauvais fonctionnement de l'outil, susceptible d'entraîner des blessures graves.

AVERTISSEMENT :

Ne jamais charger les clous avec la gâchette ou le mécanisme de déclenchement par contact activé. Cela pourrait entraîner des blessures graves.

RÉGLAGE DE LA PRESSION D'AIR

Voir la figure 6, page 14.

Le réglage de pression d'air dépend de la dimension des clous et du type de matériau à clouer.

Commencer par vérifier la profondeur d'enfoncement en enfonçant l'un des clous dans un morceau du même bois que la pièce à clouer.

- Retirer le bloc-piles, s'il est installé.
- Déplacer le levier de pression d'air vers la droite pour augmenter la pression d'air ou vers la gauche pour diminuer la pression d'air.

Il est possible d'obtenir la profondeur désirée simplement en réglant la pression d'air. Si des réglages fins sont nécessaires, utiliser le réglage de profondeur d'enfoncement de l'outil.

NOTE : Sous certaines conditions, il est possible que l'outil ne tire pas de clou si le levier de pression d'air est déplacé vers le réglage de pression MAXIMALE. L'utilisateur devra diminuer le réglage de pression selon le fonctionnement désiré.

RÉGLAGE DE PROFONDEUR D'ENFONCEMENT

Voir la figure 7, page 14.

La profondeur d'enfoncement du clou peut être réglée au-delà de la pression d'air. Il est recommandé de faire un essai sur une chute afin de déterminer la profondeur requise pour l'application.

Pour déterminer la profondeur, régler d'abord la pression d'air, puis planter un clou d'essai. Pour obtenir la profondeur nécessaire, utiliser le réglage de profondeur d'enfoncement de l'outil. Les matériaux plus durs et des clous plus longs nécessiteront une force d'enfoncement plus grande du clou.

- Retirer le bloc-piles, s'il est installé.
- Tourner le réglage de profondeur d'enfoncement gauche ou droit pour modifier la profondeur d'enfoncement.
- Réinstaller le bloc-piles et réactiver l'outil en appuyant sur l'interrupteur du témoin situé sur la prise.

■ Faire un essai d'enfoncement d'un clou après chaque réglage, jusqu'à ce que la profondeur désirée soit obtenue.

NOTE : Régler la profondeur d'enfoncement selon la profondeur minimale qui conviendra au travail à effectuer.

UTILISATION

UTILISATION DU SÉLECTEUR DE MODE DE LA GÂCHETTE

Voir les figures 8 - 9, page 14.

AVERTISSEMENT :

Ne jamais caler ou bloquer le mécanisme de sûreté de déclenchement par contact pendant que l'outil est en fonctionnement. Cela pourrait entraîner des blessures graves.

Cet outil est expédié de l'usine alors que le sélecteur de mode de la gâchette est réglé en mode « déclenchement par séquence unique ». Il est également possible de régler le sélecteur de mode de la gâchette en mode « déclenchement par contact ».

DÉCLENCHEMENT PAR SÉQUENCE UNIQUE

Le mode de déclenchement par séquence unique permet le placement le plus précis des agrafes.

- Retirer le bloc-piles de l'outil.
- Glisser le sélecteur à la position (T).

AVERTISSEMENT :

La cloueuse ne fonctionnera pas correctement si le sélecteur n'est pas positionné fermement sur (T) ou (TTT). Toujours s'assurer que le sélecteur est positionné correctement afin d'éviter un tir accidentel du clou et les risques de blessures graves.

- Réinstallez le bloc-piles
- Saisir l'outil fermement pour maintenir le contrôle. Placer la tête de l'outil contre la pièce à clouer.
- Appuyer l'outil contre la pièce à clouer pour actionner le dispositif de déclenchement par contact.
- Appuyer à fond sur la gâchette pour planter une agrafe.

NOTE : Tenez la gâchette jusqu'à ce cycle d'entraînement est terminée. Si le fait d'appuyer sur la gâchette ne permet pas d'enfoncer une pièce de fixation, soulever l'outil de la pièce à travailler, puis le replacer et essayer de nouveau d'enfoncer une pièce de fixation.

DÉCLENCHEMENT PAR CONTACT

Le déclenchement par contact permet de planter un grand nombre de clous très rapidement.

- Retirer le bloc-piles, s'il est installé.
- Glisser le sélecteur sur la position (TTT).
- Réinstallez le bloc-piles.
- Saisir l'outil fermement pour maintenir le contrôle.
- Appuyer sur la gâchette et la maintenir enfoncée. Appuyer l'outil contre la pièce à clouer pour actionner le dispositif de déclenchement par contact et planter un clou.

NOTE: Tenez la gâchette jusqu'à ce cycle d'entraînement est terminée.

- Toujours retirer son doigt de la gâchette dès que la quantité de clous désirée est enfoncée.

NOTE : En mode de déclenchement par contact, les clous peuvent également être plantés en appuyant la tête de l'outil sur la pièce et en pressant la gâchette.

AVERTISSEMENT :

Durant l'utilisation normale de l'outil, un recul se produit lorsqu'un clou est planté. Ce recul est normal.

Ne pas essayer de l'empêcher en maintenant l'outil contre la pièce à clouer. Cela pourrait causer l'éjection d'un second clou. Le non respect de cette mise en garde peut entraîner des blessures graves.

VERROUILLAGE DE TIR À VIDE

Lorsque le magazine a 0-5 clous restants, le verrouillage de tir à vide empêche le fonctionnement de l'outil.

Pour continuer le travail, recharger la cloueuse.

LAMPES DE TRAVAIL À DEL

Voir la figure 10, page 14.

- Pour allumer le témoin DEL, appuyer sur l'interrupteur de témoin DEL sur la prise tout en maintenant fermement l'outil pendant le fonctionnement normal.

DIAGNOSTIC RÉTROACTIF

Le témoin DEL offrent une rétroaction indiquant la charge suffisante du bloc-piles et le fonctionnement adéquat de l'outil.

Installer un bloc-piles complètement chargé lorsque le témoin clignotent. Si le clignotement du témoin n'est pas interrompu, consulter le chapitre *Dépannage* pour obtenir plus de détails.

Si le témoin DEL de la cloueuse s'éteint, cela signifie que l'outil a effectué un arrêt de protection. Soulever l'outil de la pièce à clouer et relâcher la gâchette afin de réactiver la cloueuse avant de recommencer un nouveau cycle de clouage.

RETRAIT DE CLOUS DE L'OUTIL

Voir la figure 11, page 14.

AVERTISSEMENT :

Retirer le bloc-piles avant de retirer ou de dégager les clous. Ne pas prendre cette précaution peut causer des blessures graves.

- Pour retirer une bande de clous, tenir la cloueuse par la poignée avec la main droite et placer la main gauche au-dessous de l'outil, le pouce sur le poussoir.
- Appuyer sur le bouton de déverrouillage et glisser complètement le poussoir vers l'arrière du magasin jusqu'à ce qu'il s'enclenche fermement.

UTILISATION

NOTE : Toujours garder les doigts à l'écart du guide de clous du magasin, pour éviter des blessures en cas de désengagement imprévu du poussoir.

- Pousser la bande de clous vers l'arrière du magasin et la retirer.

DÉBLOCAGE D'UNE AGRAFE

Voir la figure 12, page 15.

AVERTISSEMENT :

Retirer le bloc-piles de l'outil avant de retirer ou débloquer une agrafe. Ne pas prendre cette précaution peut entraîner des blessures graves.

Un enfoncement trop profond dans le matériau, une quantité excessive de débris ou des clous coincés peuvent provoquer le blocage de la mécanisme d'entraînement vers le bas.

La mécanisme d'entraînement peut habituellement être remise en position de fonctionnement en appuyant sur

l'élément de contact contre un échantillon de bois et en appuyant sur la gâchette.

Si la mécanisme d'entraînement ne se réinsère pas automatiquement dans l'outil, le mécanisme de l'outil peut être coincé.

Si un clou ou une agrafe se bloque dans l'outil, retirer le bloc-piles et garder l'outil pointé à l'écart de soi pour le débloquer.

- Retirer le bloc-piles de l'outil.
- Retirer les clous de l'outil.
- Soulever le loquet et ouvrir le mécanisme.
- Insérer un tournevis à lame plate dans le mécanisme d'entraînement et pousser ce dernier vers l'arrière, pour libérer le clou bloqué.
- Retirer le clou tordu.
- Refermer le couvercle de déblocage et le verrouiller.
- Réinstallez le bloc-piles.
- Réinsérer les clous et fermer le magasin.

DÉPANNAGE

PROBLÈME	CAUSE POSSIBLE	SOLUTION
La pièce de déclenchement par contact n'est pas complètement enfoncée - l'outil ne fonctionne pas	Quantité faible de clous La pièce de déclenchement par contact est bloquée	Recharger des clous Retirer la pile et déloger les débris
L'outil fonctionne correctement, mais les pièces de fixation ne s'enfoncent pas complètement	La pression d'air est trop faible La distance d'enfoncement n'est pas assez grande Le clou est trop long et ne convient pas à la dureté du bois	Augmenter la pression d'air Régler la profondeur d'enfoncement Utiliser une longueur de clou selon le bois à clouer
L'outil fonctionne correctement, mais les pièces de fixation s'enfoncent trop	La pression d'air est trop élevée La distance d'enfoncement est trop profonde	Diminuer la pression d'air. Régler la profondeur d'enfoncement
L'outil se bloque fréquemment	Clous de type incorrects Clous endommagés Magasin desserré Magasin encrassé	S'assurer que les clous sont de taille correcte. Remplacer les clous Serrer les vis Nettoyer le magasin
L'outil s'arrête et le témoin DEL clignote rapidement	Le bloc-piles est faible ou épuisée L'outil est chaud	Recharger le bloc-piles Laisser refroidir l'outil
Outil a chargé la pile et LED clignote lentement ou sont les LED ne s'éteint pas après approximativement dix secondes de non-utilisation	L'outil n'a pas fonctionné correctement	Apporter l'outil au Centre de réparations autorisé le plus près

NOTE : FIGURES (ILLUSTRATIONS) COMMENÇANT SUR 13 DE PAGE APRÈS LE SECTION ESPAGNOL.

Ce produit est couvert par une garantie limitée de trois (3) ans. Veuillez visiter notre site internet au www.ryobitools.com pour obtenir tous les détails de la garantie.

ADVERTENCIAS DE SEGURIDAD PARA HERRAMIENTAS ELÉCTRICAS



ADVERTENCIA

Lea todas las advertencias de seguridad y las instrucciones. El incumplimiento de las advertencias e instrucciones puede ocasionar descarga eléctrica, fuego o lesiones graves.

Guarde todas las advertencias e instrucciones para futuras consultas. El término “herramienta eléctrica” empleado en todos los avisos de advertencia enumerados abajo se refiere a las herramientas eléctricas de cordón (alámbricas) y de baterías (inalámbricas).

SEGURIDAD EN EL ÁREA DE TRABAJO

- **Mantenga limpia y bien iluminada el área de trabajo.** Un área de trabajo mal despejada o mal iluminada propicia accidentes.
- **No utilice herramientas motorizadas en atmósferas explosivas, como las existentes alrededor de líquidos, gases y polvos inflamables.** Las herramientas eléctricas generan chispas que pueden encender el polvo y los vapores inflamables.
- **Mantenga alejados a los niños y circunstantes al maniobrar una herramienta eléctrica.** Toda distracción puede causar pérdida del control de la herramienta.

SEGURIDAD ELÉCTRICA

- **Las clavijas de las herramientas eléctricas deben corresponder a las tomas de corriente donde se conectan. Nunca modifique la clavija de ninguna forma. No utilice ninguna clavija adaptadora con herramientas eléctricas dotadas de contacto a tierra.** Conectando las clavijas originales en las tomas de corriente donde corresponden se disminuye el riesgo de una descarga eléctrica.
- **Evite el contacto del cuerpo con las superficies de objetos que estén haciendo tierra o estén conectados a ésta, como tuberías, radiadores, estufas y refrigeradores.** Existe un mayor riesgo de descargas eléctricas si el cuerpo está haciendo tierra.
- **No exponga las herramientas eléctricas a la lluvia ni a condiciones de humedad.** La introducción de agua en una herramienta eléctrica aumenta el riesgo de descargas eléctricas.
- **No maltrate el cordón eléctrico. Nunca utilice el cordón para trasladar, desconectar o tirar de la herramienta eléctrica. Mantenga el cordón alejado del calor, del aceite, de bordes afilados y de piezas móviles.** Los cordones eléctricos dañados o enredados aumentan el riesgo de descargas eléctricas.
- **Al utilizar una herramienta eléctrica a la intemperie, use un cordón de extensión apropiado para el exterior.** Usando un cordón adecuado para el exterior se disminuye el riesgo de descargas eléctricas.
- **Si debe operar una herramienta en lugares húmedos, use un suministro protegido por un interruptor de circuito con pérdida a tierra (GFCI).** El uso de un GFCI reduce el riesgo de descargas eléctricas.
- **Cargue las baterías solamente con el cargador indicado.** Para utilizar con paquetes de baterías de níquel-cadmio de 18 V o de iones de litio de 18 V, consulte el folleto de la herramienta/aparato/paquete de baterías/cargador complementario 987000-432.

SEGURIDAD PERSONAL

- **Permanezca alerta, preste atención a lo que esté haciendo y aplique el sentido común al utilizar herramientas eléctricas. No utilice la herramienta eléctrica si está cansado o se encuentra bajo los efectos de alguna droga, alcohol o medicamento.** Un momento de inatención al utilizar una herramienta eléctrica puede causar lesiones corporales serias.
- **Use equipo de seguridad. Siempre póngase protección ocular.** El uso de equipo de seguridad como mascarilla para el polvo, calzado de seguridad, casco y protección para los oídos en las circunstancias donde corresponda disminuye el riesgo de lesiones.
- **Evite un arranque accidental de la unidad. Asegúrese de que el interruptor esté en la posición de apagado antes de conectar la herramienta.** Portar las herramientas eléctricas con el dedo en el interruptor, o conectarlas con el interruptor puesto, propicia accidentes.
- **Retire toda llave o herramienta de ajuste antes de encender la herramienta eléctrica.** Toda llave o herramienta de ajuste dejada en una pieza giratoria de la herramienta eléctrica puede causar lesiones.
- **No estire el cuerpo para alcanzar mayor distancia. Mantenga una postura firme y buen equilibrio en todo momento.** De esta manera se logra un mejor control de la herramienta eléctrica en situaciones inesperadas.
- **Vístase adecuadamente. No vista ropas holgadas ni joyas. Mantenga el cabello, la ropa y los guantes alejados de las piezas móviles.** Las ropas holgadas, las joyas y el cabello largo pueden engancharse en las piezas móviles.
- **Si se suministran dispositivos para conectar mangueras de extracción y captación de polvo, asegúrese de que éstas estén bien conectadas y se usen correctamente.** El uso de un recolector de polvo puede reducir los peligros relacionados con el polvo.
- **No vista ropas holgadas ni joyas. Recójase el cabello si está largo.** Las ropas holgadas y las joyas, así como el cabello largo, pueden resultar atraídas hacia el interior de las aberturas de ventilación.
- **No utilice la unidad al estar en una escalera o en un soporte inestable.** Una postura estable sobre una superficie sólida permite un mejor control de la herramienta eléctrica en situaciones inesperadas.

EMPLEO Y CUIDADO DE LA HERRAMIENTA ELÉCTRICA

- **No fuerce la herramienta eléctrica. Utilice la herramienta eléctrica adecuada para cada trabajo.** La herramienta eléctrica adecuada efectúa mejor y de manera más segura el trabajo, si además se maneja a la velocidad para la que está diseñada.
- **No utilice la herramienta si el interruptor no enciende o no apaga.** Cualquier herramienta eléctrica que no pueda controlarse con el interruptor es peligrosa y debe repararse.
- **Desconecte la clavija del suministro de corriente o retire el paquete de pilas de la herramienta eléctrica, según sea el caso, antes de efectuarle cualquier ajuste, cambiarle**

ADVERTENCIAS DE SEGURIDAD PARA HERRAMIENTAS ELÉCTRICAS

accesorios o guardarla. Tales medidas preventivas de seguridad reducen el riesgo de poner en marcha accidentalmente la herramienta eléctrica.

- **Guarde las herramientas eléctricas desocupadas fuera del alcance de los niños y no permita que las utilicen personas no familiarizadas con las mismas o con estas instrucciones.** Las herramientas eléctricas son peligrosas en manos de personas no capacitadas en el uso de las mismas.
- **Preste servicio a las herramientas eléctricas. Revise para ver si hay desalineación o atoramiento de piezas móviles, ruptura de piezas o cualquier otra condición que pueda afectar el funcionamiento de la herramienta. Si está dañada la herramienta eléctrica, permita que la reparen antes de usarla.** Numerosos accidentes son causados por herramientas eléctricas mal cuidadas.
- **Mantenga las herramientas de corte afiladas y limpias.** Las herramientas de corte bien cuidadas y con bordes bien afilados, tienen menos probabilidad de atascarse en la pieza de trabajo y son más fáciles de controlar.
- **Utilice la herramienta eléctrica, los accesorios y brocas, hojas y cuchillas de corte, ruedas de esmeril, etc. de conformidad con estas instrucciones, tomando en cuenta las condiciones de trabajo y la tarea por realizar.** Si se utiliza la herramienta eléctrica para operaciones diferentes de las indicadas podría originar una situación peligrosa.

EMPLEO Y CUIDADO DE LA HERRAMIENTA DE BATERÍAS

- **Sólo cargue el paquete de baterías con el cargador especificado por el fabricante.** Un cargador adecuado para un

tipo paquete de baterías puede significar un riesgo de incendio si se emplea con un paquete de baterías diferente.

- **Utilice las herramientas eléctricas sólo con los paquetes de baterías específicamente indicados.** El empleo de paquetes de baterías diferentes puede presentar un riesgo de incendio.
- **Cuando no esté utilizándose el paquete de baterías, manténgalo lejos de otros objetos metálicos, como clips, monedas, llaves, clavos, tornillos o otros objetos metálicos, pequeños que puedan establecer conexión entre ambas terminales.** Establecer una conexión directa entre las dos terminales de las baterías puede causar irritación y quemaduras.
- **Si se maltratan las baterías, puede derramarse líquido de las mismas; evite todo contacto con éste. En caso de contacto, lávese con agua. Si el líquido llega a tocar los ojos, además busque atención médica.** El líquido de las baterías puede causar irritación y quemaduras.

SERVICIO

- **Permita que un técnico de reparación calificado preste servicio a la herramienta eléctrica, y sólo con piezas de repuesto idénticas.** De esta manera se mantiene la seguridad de la herramienta eléctrica.
- **Al dar servicio a una herramienta eléctrica, sólo utilice piezas de repuesto idénticas. Siga las instrucciones señaladas en la sección Mantenimiento de este manual.** El empleo de piezas no autorizadas o el incumplimiento de las instrucciones de mantenimiento puede significar un riesgo de descarga eléctrica o de lesiones.

ADVERTENCIAS DE SEGURIDAD PARA CLAVADORA

- **Siempre suponga que la herramienta contiene sujetadores.** El manejo descuidado de la clavadora puede hacer que se accione el gatillo inesperadamente y que se disparen sujetadores que podrían causar lesiones personales.
- **No apunte la herramienta hacia su cuerpo ni hacia otra persona que se encuentre cerca.** Un accionamiento inesperado del gatillo disparará el sujetador y eso causará lesiones.
- **No accione la herramienta a menos que esté firmemente colocada contra la pieza de trabajo.** If the tool is not in contact with the workpiece, the fastener may be deflected away from your target.
- **Desconecte la herramienta de la fuente de alimentación cuando los atascos de sujeción de la herramienta.** Al retirar un sujetador atascado, el atacante puede ser activado accidentalmente si está enchufado.
- **Sea precavido al retirar el sujetador atascado.** El mecanismo puede encontrarse sometido a compresión y el sujetador podría salir disparado con fuerza al tratar de arreglar un atascamiento.
- **No utilice esta clavadora para sujetar cables de electricidad.** No está diseñada para la instalación de cables de electricidad y puede dañar el aislamiento de los cables y causar descargas eléctricas o riesgo de incendio.
- **Sujete la herramienta eléctrica por las superficies aisladas de sujeción al efectuar una operación en la cual el sujetador pueda entrar en contacto con cables ocultos.** Los sujetadores que entren en contacto con un cable "con carga" pueden hacer que la electricidad se transmita a las piezas metálicas expuestas de la herramienta eléctrica y eso podría provocar una descarga eléctrica en el operador.
- **Familiarícese con su herramienta eléctrica. Lea cuidadosamente el manual del operador. Aprenda sus usos y limitaciones, así como los posibles peligros específicos de esta herramienta eléctrica.** Con el cumplimiento de esta regla se reduce el riesgo de una descarga eléctrica, incendio o lesión seria.
- **Use siempre protección ocular con protecciones laterales con la marca de cumplimiento de la norma Z87.1 del ANSI.** Los anteojos comunes sólo tienen lentes resistentes a los impactos. No son gafas de seguridad. Si se cumple esta regla, se reduce el riesgo de lesiones serias.
- **Al cargar, utilizar y dar servicio a esta herramienta, el operador y demás personas SIEMPRE deben llevar puesta protección ocular que cumpla con las especificaciones ANSI y ofrezca protección contra partículas que salgan disparadas del FRENTE y de los LADOS.** Se requiere

ADVERTENCIAS DE SEGURIDAD PARA CLAVADORA

protección ocular como protección contra sujetadores y desechos que salgan disparados, los cuales pueden causar lesiones oculares serias.

- **Tanto el patrón como el operador deben asegurarse de que se use protección ocular adecuada.** Recomendamos la careta protectora de visión amplia encima de los anteojos normales o de los anteojos de seguridad que ofrecen protección frontal y lateral contra partículas que salen disparadas. Siempre póngase protección ocular con la marca de cumplimiento de la norma ANSI Z87.1.
 - **En algunos entornos se requiere protección adicional.** Por ejemplo, en el área de trabajo puede haber exposición a un nivel de ruido que puede dañar el oído. El patrón y el operador deben asegurarse de contar con toda la protección auditiva necesaria y de que sea usada por el operador mismo y demás personas presentes en el área de trabajo. En algunos entornos se requiere el uso de equipo de protección para la cabeza. Cuando se requiera, el patrón y el operador deben asegurarse de que la protección usada para la cabeza cumpla con la norma ANSI Z89.1-1997.
 - **Mantenga los dedos ALEJADOS cuando los sujetadores no estén introducidos, para evitar incendios accidentales.**
 - **Use equipo de seguridad. Siempre póngase protección ocular.** Cuando lo exijan las circunstancias debe ponerse careta contra el polvo, zapatos de seguridad antiderrapantes, casco o protección auditiva.
 - **Protéjase los pulmones. Use una careta o mascarilla contra el polvo si la operación genera mucho polvo.** Con el cumplimiento de esta regla se reduce el riesgo de lesiones serias.
 - **Protéjase los oídos. Durante períodos prolongados de utilización del producto, póngase protección para los oídos.** Con el cumplimiento de esta regla se reduce el riesgo de lesiones corporales serias.
 - **No se necesita conectar a una toma de corriente las herramientas de baterías; por lo tanto, siempre están en condiciones de funcionamiento.** Esté consciente de los posibles peligros cuando no esté usando la herramienta de baterías o cuando esté cambiando los accesorios de la misma. Con el cumplimiento de esta regla se reduce el riesgo de una descarga eléctrica, incendio o lesión corporal seria.
 - **No coloque herramientas de baterías ni las baterías mismas cerca del fuego o del calor.** De esta manera se reduce el riesgo de explosiones y de lesiones.
 - **No aplaste, deje caer o dañe la batería. Nunca utilice una batería o cargador que se ha caído, aplastado, recibido un golpe contundente o ha sido dañado(a) de alguna manera.** Las baterías dañadas pueden sufrir explosiones. Deseche de inmediato toda batería que haya sufrido una caída o cualquier daño.
 - **Las pilas pueden explotar en presencia de una fuente de ignición, como una luz piloto.** Para reducir el riesgo de lesiones corporales serias, nunca use un producto inalámbrico en presencia de llamas vivas. La explosión de una pila puede lanzar fragmentos y compuestos químicos. Si ha quedado expuesto a la explosión de una pila, lávese de inmediato con agua.
 - **No cargue herramientas de baterías en lugares mojados o húmedos.** Con el cumplimiento de esta regla se reduce el riesgo de una descarga eléctrica.
 - **Para obtener resultados óptimos, debe cargar la herramienta de baterías en un lugar donde la temperatura esté entre 50°F y 100°F. No guarde la herramienta a la intemperie ni en el interior de vehículos.**
 - **En condiciones extremas de uso o temperatura las baterías pueden emanar líquido. Si el líquido llega a tocarle la piel, lávese de inmediato con agua y jabón, y después neutralice los efectos con jugo de limón o vinagre. Si le entra líquido en los ojos, láveselos con agua limpia por lo menos 10 minutos, y después busque de inmediato atención médica.** Con el cumplimiento de esta regla se reduce el riesgo de lesiones corporales serias.
 - **Solamente utilice esta herramienta para el propósito especificado.** No dispare sujetadores al aire.
 - **Use la herramienta solamente para el propósito para el que fue diseñada.**
 - **Solamente utilice los sujetadores recomendados para esta herramienta.** El uso de los sujetadores incorrectos podría hacer que los sujetadores no avancen bien, que se atoren y que los clavos no salgan de la herramienta siempre al mismo ángulo. Si los sujetadores no avanzan de manera uniforme y correcta, interrumpa su uso de inmediato. Los sujetadores atorados que avanzan de manera incorrecta pueden provocar lesiones serias.
 - **Nunca utilice esta herramienta de ninguna forma que pueda dirigir un sujetador hacia ninguna otra cosa que no sea la pieza de trabajo.**
 - **No use la herramienta como martillo.**
 - **Siempre porte la herramienta por el mango.**
 - **No altere ni modifique esta herramienta con respecto al diseño o funcionamiento original sin la aprobación del fabricante.**
 - **Siempre tenga presente que el uso y manejo indebidos de esta herramienta puede causarles lesiones a usted y a otras personas.**
 - **Nunca sujete con prensa o cinta adhesiva el gatillo ni el disparador de contacto en la posición de accionamiento.**
 - **Nunca deje desatendida ninguna herramienta con la batería instalada.**
 - **No utilice esta herramienta si no tiene una etiqueta de advertencia.**
 - **Mantenga la herramienta y el mango secos, limpios y sin aceite ni grasa.** Siempre utilice un paño limpio para limpiar la unidad. Nunca utilice fluidos para frenos, gasolina, productos a base de petróleo ni solventes fuertes para limpiar la herramienta. Con el cumplimiento de esta regla se reduce el riesgo de una pérdida de control y el deterioro del alojamiento de plástico de la unidad.
- ## FUNCIONAMIENTO
- **No utilice la herramienta si no funciona correctamente el gatillo.** Una herramienta que no pueda controlarse con el gatillo es peligrosa y debe repararse.

ADVERTENCIAS DE SEGURIDAD PARA CLAVADORA

- **Verifique con frecuencia el funcionamiento del mecanismo del disparador de contacto.** No use la herramienta si no está funcionando correctamente el mecanismo del disparador de contacto, ya que puede causarse por accidente el disparo de un sujetador. No interfiera en el funcionamiento normal del mecanismo del disparador de contacto.
- **No utilice la herramienta si no funciona correctamente.**
- **Siempre suponga que la herramienta contiene sujetadores.**
- **No traslade la herramienta de un lugar a otro con el dedo en el gatillo.** Podría producirse un disparo accidental.
- **Siempre maneje con cuidado la herramienta:**
 - Respete la herramienta como un elemento de trabajo.
 - Nunca participe en jugueteos.
 - Nunca tire del gatillo a menos que la punta de la herramienta esté dirigida hacia la superficie de trabajo.
 - Mantenga a las demás personas a una distancia segura de la herramienta mientras esté utilizándose ésta ya que puede ocurrir un accionamiento accidental de la misma, y posibles lesiones.
- **Es importante el método de disparo elegido. Estudie el manual, en el cual se describen las diferentes formas de disparar.**
- **No sujete la herramienta por el frente del cargador.** No ponga las manos, la cabeza ni ninguna otra parte del cuerpo cerca de la parte inferior del cargador, por donde salen los clavos de la herramienta, ya que se pueden producir lesiones serias.
- **No apunte la herramienta hacia usted mismo ni a ninguna otra persona, ya sea que contenga sujetadores o no.**
- **No accione la herramienta a menos que tenga la intención de introducir un sujetador en la pieza de trabajo.**
- **Siempre asegúrese de que el elemento de contacto con la pieza de trabajo esté totalmente encima de ella.** Colocar el elemento de contacto con la pieza de trabajo solamente de manera parcial encima de ella podría causar que el sujetador no se introduzca en la pieza de trabajo por completo y provoque lesiones serias.
- **No introduzca clavos cerca del borde del material.** La pieza de trabajo puede partirse y causar que el clavo rebote y lesione a un compañero de trabajo. Tenga presente que el clavo puede seguir la fibra de la madera y salir inesperadamente por un lado de la pieza de trabajo.
- **Mantenga las manos y todas las partes del cuerpo lejos del área de trabajo inmediata.** Sujete firmemente la pieza de trabajo con prensas de mano cuando sea necesario para proteger las manos y el cuerpo de todo posible peligro. Asegúrese de que la pieza de trabajo esté debidamente asegurada antes de presionar la clavadora contra el material. El disparador de contacto puede causar un movimiento inesperado de la pieza de trabajo.
- **Mantenga la cara y las demás partes del cuerpo lejos de la tapa de la herramienta al trabajar en espacios limitados.** En una retracción súbita la herramienta puede golpear el cuerpo, especialmente al clavar en material duro o denso.
- **Durante el uso normal de la herramienta, ésta se retrae de inmediato después de introducir un sujetador. Así es el funcionamiento normal de la herramienta.** No intente impedir la retracción presionando la clavadora contra la pieza de trabajo. Toda restricción impuesta a la retracción puede producir la impulsión de un segundo sujetador en la clavadora. La inobservancia de esta advertencia puede causar lesiones corporales serias.
- **No introduzca sujetadores encima de otros, ni con la herramienta a un ángulo excesivamente pronunciado, ya que esto puede causar la desviación de los sujetadores y con ello posibles lesiones.**

CÓMO CARGAR LA HERRAMIENTA

- **No cargue los sujetadores en la herramienta cuando esté activado cualquiera de los controles de operación de la misma.**

Al cargar la herramienta:




- **Nunca coloque las manos ni ninguna parte del cuerpo en el área de la herramienta donde sale disparado el sujetador.**
- **Nunca apunte la herramienta a nadie.**
- **No tire del gatillo ni oprima el disparador de contacto, ya que puede accionarse accidentalmente la herramienta y causar lesiones.** Salir inesperadamente por un lado de la pieza de trabajo.

GUARDE ESTAS INSTRUCCIONES







- **Consúltelas con frecuencia y empléelas para instruir a otras personas que puedan utilizar esta herramienta. Si presta a alguien esta herramienta, facilítele también las instrucciones.**

SÍMBOLOS

Las siguientes palabras de señalización y sus significados tienen el objeto de explicar los niveles de riesgo relacionados con este producto.

SÍMBOLO	SEÑAL	SIGNIFICADO
	PELIGRO:	Indica una situación peligrosa inminente, la cual, si no se evita, causará la muerte o lesiones serias.
	ADVERTENCIA:	Indica una situación peligrosa posible, la cual, si no se evita, podría causar la muerte o lesiones serias.
	PRECAUCIÓN:	Indica una situación peligrosa posible, la cual, si no se evita, podría causar lesiones menores o leves.
	AVISO:	(Sin el símbolo de alerta de seguridad) Indica información importante no relacionada con ningún peligro de lesiones, como una situación que puede ocasionar daños físicos.

Es posible que se empleen en este producto algunos de los siguientes símbolos. Le suplicamos estudiarlos y aprender su significado. Una correcta interpretación de estos símbolos le permitirá utilizar mejor y de manera más segura el producto.

SÍMBOLO	NOMBRE	DENOMINACIÓN/EXPLICACIÓN
	Alerta de seguridad	Indica un peligro posible de lesiones personales.
	Lea el manual del operador	Para reducir el riesgo de lesiones, el usuario debe leer y comprender el manual del operador antes de usar este producto.
	Protección ocular	Siempre póngase protección ocular con protección lateral con la marca de cumplimiento de la norma ANSI Z87.1.
	Mantenga lejos las manos	Mantenga las manos y el resto del cuerpo lejos del área de la herramienta por donde sale disparado el sujetador.
	Alerta de condiciones húmedas	No exponga la unidad a la lluvia ni la use en lugares húmedos.
	Símbolos de reciclado	Este producto contiene baterías de níquel-cadmio (Ni-Cd) o iones de litio (Li-ion). Es posible que algunas leyes municipales, estatales o federales prohíban desechar las baterías de níquel-cadmio en la basura normal. Consulte a las autoridades reguladoras de desechos para obtener información en relación con las alternativas de reciclado y desecho disponibles.
V	Volts	Voltaje
A	Amperios	Corriente
Hz	Hertz	Frecuencia (ciclos por segundo)
min	Minutos	Tiempo
==	Corriente continua	Tipo o característica de corriente
n_0	Velocidad en vacío	Velocidad de rotación, en vacío
.../min	Por minuto	Revoluciones, carreras, velocidad superficial, órbitas, etc., por minuto

GLOSARIO DE TÉRMINOS

Activer (commandes de l'outil)

Es mover un control de accionamiento de manera que quede en una posición en la cual se accione la herramienta o cumpla con un requisito necesario para accionar la misma.

Accionar (la herramienta)

Es producir el movimiento de los componentes de la herramienta específicos para introducir un sujetador.

Sistema de accionamiento

Es el gatillo, el disparador de contacto o cualquier otro control de accionamiento, empleado(s) por separado o en alguna combinación o secuencia, para accionar la herramienta.

• **Accionamiento secuencial sencillo**

Es un sistema de accionamiento en el cual hay más de un control de accionamiento y éstos deben ser activados en una secuencia específica para accionar la herramienta. Puede ocurrir un accionamiento adicional cuando un control de accionamiento específico, que no sea el disparador de contacto, se suelta y se vuelve a activar.

• **Accionamiento por contacto**

Es un sistema de accionamiento en el cual hay más de un control de accionamiento y éstos pueden ser activados en cualquier secuencia para accionar la

herramienta. Puede ocurrir un accionamiento adicional cuando cualquier control de accionamiento se suelta y se vuelve a activar.

Sujetador

Es una grapa, clavo, puntilla o cualquier otra pieza de unión diseñada y fabricada para utilizarse en las herramientas de este tipo.

Atoramiento

Es una obstrucción en las zonas de alimentación o introducción de sujetadores de la herramienta.

Control de accionamiento

Es un control que, por separado o como parte de un sistema de accionamiento de una herramienta, sirve para accionarla.

Gatillo

Es un control de accionamiento de una herramienta el cual maneja con los dedos el operador.

Pieza de trabajo

Es el objeto específico en el cual se introduce un sujetador con una herramienta.

Contacto de la pieza de trabajo

Es un elemento de control de accionamiento o un conjunto de tales elementos, el cual es activado al tocar el material en el que va a introducirse el sujetador.

CALIFORNIA - PROPUESTA DE LEY NÚM. 65

ADVERTENCIA:

Este producto y algunos polvos generados al efectuarse operaciones de lijado, aserrado, esmerilado, taladrado y otras actividades de la construcción, contienen sustancias químicas reconocidas por el estado de California como causantes de cáncer, defectos congénitos y otras afecciones del aparato reproductor. **Lávese las manos después de utilizar el aparato.**

Algunos ejemplos de estas sustancias químicas son:

- plomo de las pinturas a base de plomo,
- silicio cristalino de los ladrillos, del cemento y de otros productos de albañilería, y
- arsénico y cromo de la madera químicamente tratada.

El riesgo de la exposición a estos compuestos varía, según la frecuencia con que se realice este tipo de trabajo. Para reducir la exposición personal, trabaje en áreas bien ventiladas, y con equipo de seguridad aprobado, tal como las caretas para el polvo especialmente diseñadas para filtrar partículas microscópicas.

CARACTERÍSTICAS

ESPECIFICACIONES DEL PRODUCTO

Motor 18 V, corr. cont.
Capacidad del cargador 100 clavos

Tipo de sujetador Calibre 16
Longitud de los clavos de puntilla 3/4 a 2,5 pulg.

ARMADO

ADVERTENCIA:

No use este producto si no está totalmente ensamblado o si alguna pieza falta o está dañada. El uso de un producto que no está adecuadamente y completamente ensamblado o posee partes dañadas o faltantes puede resultar en lesiones personales graves.

ADVERTENCIA:

No intente modificar este producto ni crear aditamentos o accesorios que no estén recomendados para usar con este producto. Dichas alteraciones o modificaciones constituyen un uso indebido y podrían provocar una situación de riesgo que cause posibles lesiones personales graves.

Si hay piezas dañadas o faltantes, le suplicamos llamar al 1-800-525-2579, donde le brindaremos asistencia.

FUNCIONAMIENTO

ADVERTENCIA:

No permita que su familiarización con los productos lo vuelva descuidado. Tenga presente que un descuido de un instante es suficiente para causar una lesión grave.

ADVERTENCIA:

Siempre retire el paquete de baterías de la herramienta cuando esté ensamblando partes, realizando ajustes, limpiando o cuando ésta no esté en uso. Retirando el paquete de pilas se evita arrancar accidentalmente la unidad, lo cual puede causar lesiones serias.

ADVERTENCIA:

Siempre póngase protección ocular con la marca de cumplimiento de la norma ANSI Z87.1. La inobservancia de esta advertencia puede permitir que los objetos lanzados hacia los ojos puedan provocarles lesiones graves.

USOS

Esta herramienta puede emplearse para los fines enumerados abajo:

- Acabado y ornamentación (interior y exterior)
- Marcos de puertas y ventanas
- Jambas de puertas
- Rodapiés
- Molduras de corona
- Ebanistería
- Molduras de dinteles y umbrales
- Molduras
- Escaleras
- Ornamentación de puertas y ventanas

- Guardasillas
- Moldura de ladrillo
- Pisos de madera
- Paneles
- Mobiliario

CONECTAR EL CLIP DEL CINTURÓN

Vea la figura 1, página 13.

El clip del cinturón se puede colocar del lado izquierdo o derecho de la clavadora, según la preferencia del operador.

- Alinee el clip del cinturón y el tornillo con el orificio para el tornillo del lado izquierdo o derecho.
- Utilice un destornillador de cabeza Phillips (no se incluye) para ajustar firmemente.

INSTALAR / DESMONTAJE DEL PAQUETE DE BATERÍAS

Vea la figura 2, página 13.

- **Para instalar**, coloque el paquete de baterías en la herramienta. Alinee la costilla realizada del paquete de baterías con la ranura situada en el interior de la herramienta.
- Asegúrese de que los pestillos situados en ambos lados del paquete de baterías entren completamente en su lugar con un chasquido, y de que el paquete quede bien fijo en el taladro antes de empezar a utilizar éste.

NOTA: Apriete el interruptor del mango con luz LED para reactivar la clavadora.

AVIS:

Al colocar el paquete de baterías en la herramienta, asegúrese que la costilla realizada del mismo quede alineada con la parte inferior de la herramienta y de que los pestillos entren adecuadamente en su lugar con un chasquido. Si no se instala debidamente el paquete de baterías pueden dañarse los componentes internos.

FUNCIONAMIENTO

- **Para extraer**, oprima los pestillos situados en ambos lados del paquete de baterías para soltar éste de la herramienta.
- Al oprimirse los pestillos, el paquete de baterías se desconecta automáticamente, en la dirección de remoción del mismo.

ALMOHADILLA PROTECTORA

Vea la figura 3 página 13.

La almohadilla protectora montada en la punta de la herramienta evita dañar y marcar las maderas suaves con la herramienta.

ADVERTENCIA:

Retire siempre el paquete de baterías de la herramienta antes de desmontar o volver a montar la almohadilla protectora. La inobservancia de esta advertencia puede causar lesiones serias.

La almohadilla puede retirarse tirando de ella hacia abajo, separándola de la punta de la herramienta. Para volver a montar la almohadilla, acomódela en su lugar en la punta de la herramienta y empújela hacia arriba por la parte de atrás para asentarla.

Hay un lugar para guardar la almohadilla en el cargador de la herramienta. En el área de guardar de la herramienta se suministra una almohadilla protectora adicional.

CARGA DE LAS PUNTILLAS EN LA HERRAMIENTA

Vea las figuras 4 y 5, página 13.

- Retire el paquete de baterías, si está instalado.
- Oprima el botón de afloje y deslice el empujador por completo hasta la parte trasera del cargador y trábelo.
- Teniendo la punta de la herramienta apuntando en la dirección opuesta a donde se encuentra usted, introduzca una tira de clavos en el cargador. Asegúrese de que los clavos estén apuntando hacia abajo, y en el ángulo mostrado.

ADVERTENCIA:

Mantenga la herramienta apuntando en la dirección opuesta a donde se encuentra usted y otras personas mientras carga los clavos. La inobservancia de esta advertencia puede causar lesiones serias.

- Oprima el botón de afloje para suelte el empujador y permita que empuje los clavos hasta el mecanismo de impulsión. El empujador se detiene al llegar al extremo de la tira de clavos.

NOTA: No permita que el empujador se regrese a su lugar.

ADVERTENCIA:

Solamente utilice los clavos recomendados para esta herramienta. Si se utilizan otros clavos puede producirse un malfuncionamiento de la herramienta y posibles lesiones serias.

ADVERTENCIA:

Nunca cargue los clavos teniendo activado el disparador de contacto o el gatillo. La inobservancia de esta advertencia puede causar lesiones serias.

AJUSTE DE LA PRESIÓN DE AIRE

Vea la figura 6, página 14.

La cantidad presión de aire requerida depende del tamaño de los clavos y del material de la pieza de trabajo.

Comience por probar la profundidad de penetración introduciendo un clavo de prueba en el mismo tipo de material de la pieza de trabajo que va a usarse en el trabajo real.

- Retire el paquete de baterías, si está instalado.
- Mueva la palanca de presión de aire hacia la derecha para aumentar la presión de aire o hacia la izquierda para disminuir la presión.

Puede ser posible lograr la profundidad deseada solamente con ajustes en la presión de aire. Si se necesitan ajustes más finos, use el ajuste de profundidad de penetración de la herramienta.

NOTA: En determinadas condiciones, es posible que la unidad no pueda aplicar un clavo cuando se la palanca de presión de aire al ajuste MÁXIMO de presión. Es posible que el usuario deba reducir el ajuste de presión para la operación deseada.

AJUSTE DE LA PROFUNDIDAD DE PENETRACIÓN

Vea la figura 7, página 14.

La profundidad de penetración de los calvos se puede ajustar no solo mediante la presión de aire. Se recomienda probar la profundidad de introducción en un pedazo de desecho para determinar la profundidad requerida en cada caso en particular.

Para determinar la profundidad de introducción, primero ajuste la presión de aire y luego introduzca un clavo de prueba. Para lograr la profundidad deseada, use el ajuste de profundidad de penetración de la herramienta. Con materiales más duros y clavos más largos se requiere más fuerza.

- Retire de la herramienta el paquete de baterías, de estar instalado.
- Gire el control del ajuste de la profundidad de penetración hacia la izquierda o la derecha para cambiar la profundidad de penetración.
- Réinstalar el paquete de batería y reactive la herramienta presionando el interruptor del mango con luz de trabajo.
- Después de cada ajuste, introduzca un clavo de prueba hasta lograr la profundidad deseada.

NOTA: Fije la profundidad de penetración en el valor más bajo que le permita cumplir con sus objetivos.

USO DEL SELECTOR DE MODO DEL GATILLO

Vea las figuras 8 y 9, página 14.

ADVERTENCIA:

Nunca detenga con una cuña ni de ninguna otra forma el mecanismo del disparador de contacto al utilizar la herramienta. La inobservancia de esta advertencia puede causar lesiones serias.

FUNCIONAMIENTO

Esta herramienta se envía de fábrica con la configuración del selector del gatillo en modo Accionamiento secuencial sencillo. El selector de modo del gatillo puede ponerse también en modo de Accionamiento por contacto.

MODO DE ACCIONAMIENTO SECUENCIAL SENCILLO

El accionamiento secuencial sencillo permite lograr la colocación más exacta del sujetador.

- Retire de la herramienta el paquete de baterías.
- Deslice el selector a la posición (T).

ADVERTENCIA:

La clavadora no funcionará correctamente si el selector no está asentado firmemente en la posición (T) o en la posición (TTT). Asegúrese siempre de que el selector esté bien asentado para evitar aplicaciones inesperadas de clavos y posibles lesiones personales de gravedad.

- Réinstalar el paquete de batería.
- Sujete firmemente la herramienta para mantener el control. Coloque la punta de la herramienta en la superficie de trabajo.
- Oprima la herramienta contra la superficie de trabajo para oprimir el disparador de contacto.
- Para introducir un sujetador, oprima el gatillo.

NOTA: Sostenga el gatillo hasta que se haya completado un ciclo de conducción. Si al presionar el gatillo no se clava un sujetador, levante la herramienta y aléjela de la pieza de trabajo; luego vuelva a colocarla e intente volver a clavar el sujetador.

MODO DE ACCIONAMIENTO POR CONTACTO

El accionamiento por contacto permite la colocación repetitiva de sujetadores a velocidad muy rápida.

- Retire de la herramienta el paquete de baterías.
- Deslice el selector a la posición (TTT).
- Réinstalar el paquete de batería.
- Sujete firmemente la herramienta para mantener el control.
- Oprima el gatillo y no lo suelte. Oprima la herramienta contra la superficie de trabajo para oprimir el disparador de contacto e introducir un sujetador.

NOTA: Sostenga el gatillo hasta que se haya completado un ciclo de conducción.

- Retire siempre el dedo del gatillo cuando se haya aplicado la cantidad de clavos deseada.

NOTA: En el modo de accionamiento por contacto, la herramienta puede accionarse también presionando el disparador de contacto contra la superficie y oprimiendo el gatillo.

ADVERTENCIA:

Durante el uso normal de la herramienta, ésta se retrae de inmediato después de introducir un sujetador. Así es el funcionamiento normal de la herramienta. No intente impedir la retracción presionando la clavadora contra la pieza de trabajo. Toda restricción impuesta a la retracción puede producir la impulsión de un segundo sujetador en la clavadora. La inobservancia de esta advertencia puede causar lesiones corporales serias.

SEGURO DE DISPARO EN SECO

Cuando el magazín tiene 0-5 clavos restantes, el seguro de disparo en seco no permite continuar utilizando la herramienta.

Para volver a utilizar la herramienta, vuelva a cargarla con clavos.

LUCE DE TRABAJO DE LED

Vea la figura 10, página 14.

- Para encender la luce de trabajo LED, presione el interruptor del mango con luz de trabajo LED mientras sujeta firmemente la herramienta en condiciones normales de operación.

LECTURAS DE DIAGNÓSTICO

La luce de trabajo LED sirven de lecturas para indicar si el paquete de baterías tiene suficiente carga y si la herramienta está funcionando correctamente.

Si la luce de trabajo titilan, coloque una batería con plena carga. Si la luce siguen titilando, consulte la sección *Solución de problemas* para obtener más información.

Si la luce LED de la clavadora se apagan, la unidad se ha apagado para su protección. Aleje la herramienta de la pieza de trabajo y libere el gatillo para reactivar la clavadora antes de comenzar el próximo ciclo de clavado.

CÓMO RETIRAR LOS CLAVOS DE LA HERRAMIENTA

Vea la figura 11, página 15.

ADVERTENCIA:

Retire de la herramienta el paquete de baterías antes de retirar los clavos. La inobservancia de esta advertencia puede causar lesiones serias.

- Para retirar una tira de clavos de la clavadora de acabado, sosténgala por el mango con la mano derecha, y ponga la mano izquierda bajo la herramienta, con el pulgar de dicha mano en el empujador.
- Oprima el botón de afloje y deslice el empujador por completo hasta la parte trasera del cargador y trábelo.

NOTA: Siempre mantenga los dedos fuera del carril de clavos del cargador para evitar lesiones en caso de soltar accidentalmente el empujador.

- Deslice los clavos hacia la parte posterior del cargador y retírelos.

FUNCIONAMIENTO

CÓMO RETIRAR UN SUJETADOR ATORADO

Vea la figura 12, página 15.

ADVERTENCIA:

Retire de la herramienta el paquete de baterías antes de desatorar un sujetador atorado. La inobservancia de esta advertencia puede causar lesiones serias.

El exceso de profundidad de clavado, el exceso de residuos o los clavos atorados pueden hacer que el mecanismo de impulsión se atore en su posición inferior.

Usualmente, se podrá hacer regresar el mecanismo de impulsión a su posición operativa ejerciendo presión sobre el elemento que entra en contacto con la pieza de trabajo contra un trozo de madera de desecho y presionando el gatillo.

Si con esto el mecanismo de impulsión no regresa automáticamente al interior de la herramienta, la herramienta puede estar atascada.

Si se atora un sujetador en la herramienta, desconecte la manguera de aire y mantenga la herramienta apuntando en la dirección opuesta a donde se encuentra usted mientras desatora el sujetador.

- Retire el paquete de baterías de la herramienta.
- Retire de la herramienta los sujetadores.
- Tire del pestillo hacia arriba y abra el soltador.
- Introduzca un destornillador de punta plana en el mecanismo de impulsión y empuje hacia atrás éste, para desalojar el sujetador atorado.
- Retire el sujetador doblado.
- Cierre el soltador y el pestillo.
- Réinstalar el paquete de batería.
- Vuelva a introducir los sujetadores y cierre el cargador.

CORRECCIÓN DE PROBLEMA

PROBLEMA	CAUSA POSIBLE	SOLUCIÓN
El elemento que entra en contacto con la pieza de trabajo no baja por completo; la herramienta no funciona	Pocos clavos El elemento que entra en contacto con la pieza de trabajo está atascado	Vuelva a cargar clavos Retire la batería y limpie los restos de material
La herramienta funciona correctamente pero los sujetadores no se aplican bien	La presión de aire es demasiado baja La profundidad de penetración no es suficiente El clavo es demasiado largo para la dureza de la madera	Aumente la presión de aire Ajuste la profundidad de penetración Utilice clavos que tengan una longitud apropiada para la madera
La herramienta funciona correctamente pero los sujetadores penetran demasiado en la superficie de trabajo	La presión de aire es demasiado alta. La profundidad de penetración es excesiva	Reduzca la presión de aire. Ajuste la profundidad de penetración
La herramienta sufre atoramientos con frecuencia	Sujetadores inadecuados Sujetadores dañados Está flojo el cargador o los tornillos de la punta Cargador sucio	Verifique que sean del tamaño correcto los sujetadores Cambie los sujetadores Apriete los tornillos Limpie el cargador
La herramienta se detiene y la luce LED titilan rápidamente	La batería tiene poca carga o está descargada La herramienta está caliente	Vuelva a cargar la batería Deje enfriar la herramienta
Tool ha cargado la batería y el LED se parpadea lentamente o el LED no se apagan después de aproximadamente diez segundos de inactividad	La herramienta se averió	Lleve la herramienta al centro de reparación autorizado más cercano a su domicilio

**Este producto tiene una garantía limitada de tres años.
Puede consultar los detalles de la garantía en www.ryobitools.com**

MAINTENANCE

WARNING:

When servicing, use only identical replacement parts. Use of any other parts could create a hazard or cause product damage.

GENERAL MAINTENANCE

Avoid using solvents when cleaning plastic parts. Most plastics are susceptible to damage from various types of commercial solvents and may be damaged by their use. Use clean cloths to remove dirt, dust, oil, grease, etc.

BATTERY PACK REMOVAL AND PREPARATION FOR RECYCLING

WARNING:

Upon removal, cover the battery pack's terminals with heavy-duty adhesive tape. Do not attempt to destroy or disassemble battery pack or remove any of its components. Batteries must be recycled or disposed of properly. Also, never touch both terminals with metal objects and/or body parts as short circuit may result. Keep away from children. Failure to comply with these warnings could result in fire and/or serious injury.

ENTRETIEN

AVERTISSEMENT :

Utiliser exclusivement des pièces d'origine pour les réparations. L'usage de toute autre pièce pourrait créer une situation dangereuse ou endommager l'produit.

ENTRETIEN GÉNÉRAL

Éviter d'utiliser des solvants pour le nettoyage des pièces en plastique. La plupart des matières plastiques peuvent être endommagées par divers types de solvants du commerce. Utiliser un chiffon propre pour éliminer la saleté, la poussière, l'huile, la graisse, etc.

RETRAIT DU BLOC-PILES ET PRÉPARATION POUR LE RECYCLAGE

AVERTISSEMENT :

Après avoir retiré le piles, couvrir ses bornes avec un ruban adhésif de qualité industrielle. Ne pas essayer de démonter ou détruire le piles, ni de retirer des composants quels qu'ils soient. Les piles épuisées doivent être recyclées ou éliminées selon une méthode appropriée. Ne jamais toucher les deux bornes avec des objets en métal ou une partie du corps, car cela pourrait créer un court-circuit. Garder hors de la portée des enfants. Le non-respect de ces mises en garde peut résulter en un incendie et/ou des blessures graves.

MANTENIMIENTO

ADVERTENCIA:

Al dar servicio a la unidad, sólo utilice piezas de repuesto idénticas. El empleo de piezas diferentes podría causar un peligro o dañar el producto.

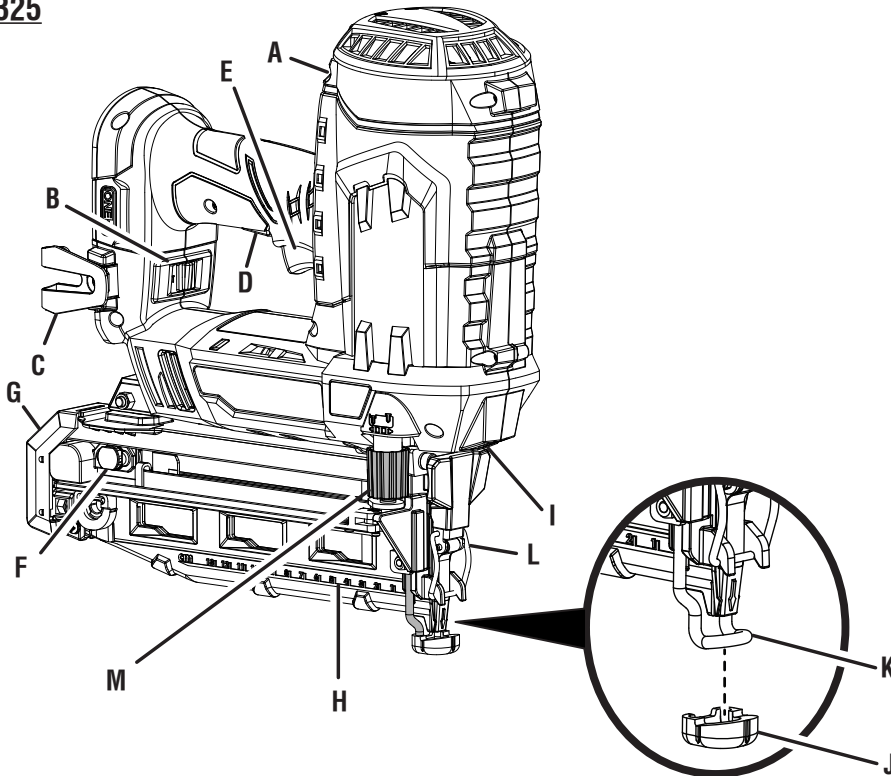
MANTENIMIENTO GENERAL

Evite el empleo de solventes al limpiar piezas de plástico. La mayoría de los plásticos son susceptibles a diferentes tipos de solventes comerciales y pueden resultar dañados. Utilice paños limpios para eliminar la suciedad, el polvo, el aceite, la grasa, etc.

REMOCIÓN Y PREPARACIÓN DEL PAQUETE DE BATERÍAS PARA EL RECICLADO

ADVERTENCIA:

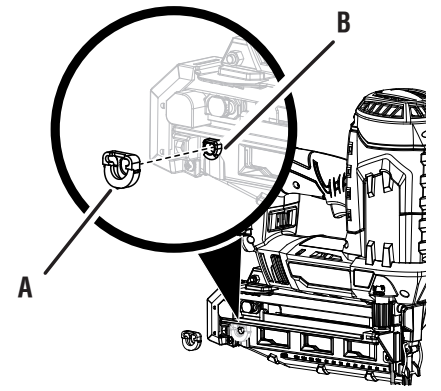
Al retirar el paquete de baterías, cubra las terminales del mismo con cinta adhesiva reforzada. No intente destruir o desarmar el paquete de baterías, ni de desmontar ninguno de sus componentes. Las baterías deben reciclarse o desecharse debidamente. Asimismo, nunca toque ambas terminales con objetos metálicos y partes del cuerpo, ya que puede producirse un corto circuito. Manténgase fuera del alcance de los niños. La inobservancia de estas advertencias puede causar incendios y lesiones corporales serias.



- A - Air pressure lever (levier de pression d'air, palanca de presión de aire)
- B - Trigger mode selector (sélecteur de mode de la gâchette, selector de modo del gatillo)
- C - Belt clip (clip de ceinture, clip para el cinto)
- D - LED worklight grip switch (l'interrupteur d'éclairage DEL, interruptor del mango con luz LED)
- E - Trigger switch (gâchette, interruptor de gatillo)
- F - Pusher (poussoir, empujador)
- G - Rear loading magazine (magasin à chargement arrière, cargador de carga trasero)

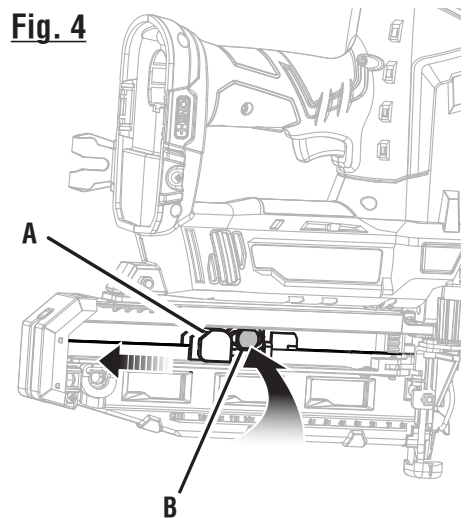
- H - Scale (échelle, escala)
- I - LED worklight (lampe de travail LED, luce de trabajo de LED)
- J - No-mar pad (bout de protection, almohadilla protectora)
- K - Workpiece contact (contact de déclenchement, disparador de contacto)
- L - Jam release (déblocage, soltador)
- M - Depth of drive adjustment (réglage de profondeur d'enfoncement, ajuste de la profundidad de introducción)

Fig. 3



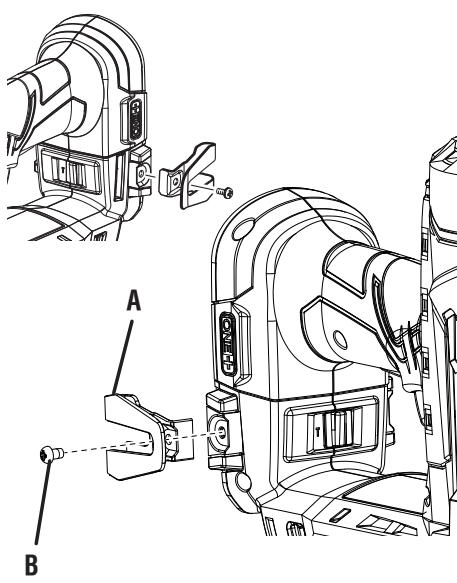
- A - No-mar pad (bout de protection, almohadilla protectora)
- B - No-mar pad storage (rangement du coussinet de protection, lugar para guardar la almohadilla protectora)

Fig. 4



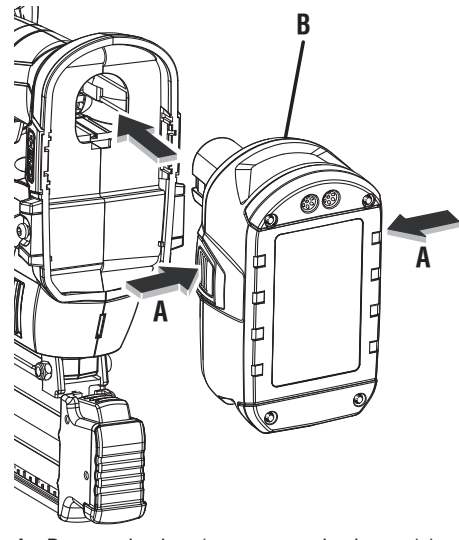
- A - Pusher (poussoir, empujador)
- B - Release button (bouton de déverrouillage, botón de afloje)

Fig. 1



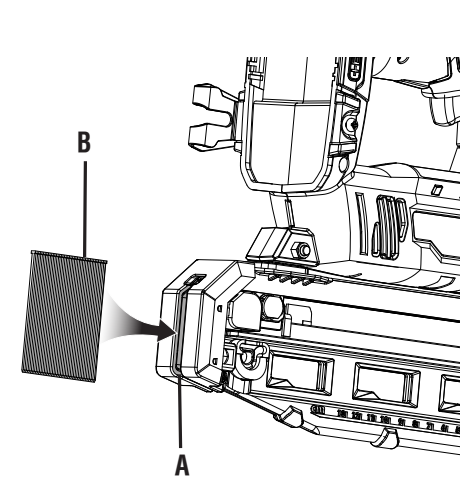
- A - Belt clip (clip de ceinture, clip para el cinto)
- B - Screw (vis, tornillo)

Fig. 2



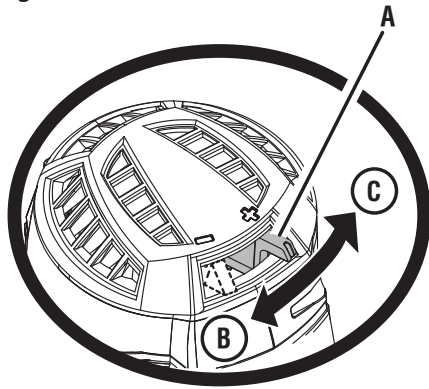
- A - Depress latches (appuyer sur les loquet(s), para soltar el paquete de pilas oprima los pestillos)
- B - Battery pack (bloc-piles, baterías)

Fig. 5



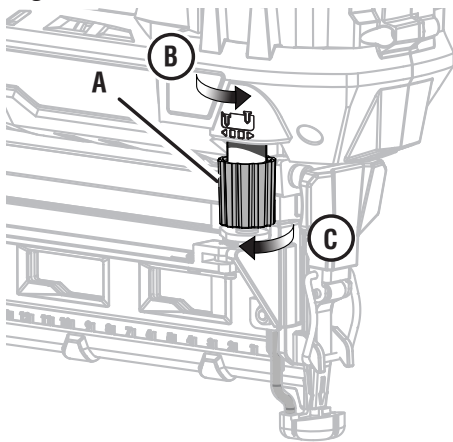
- A - Rear loading magazine (magasin à chargement arrière, cargador de carga trasero)
- B - Nails (clous, clavos)

Fig. 6



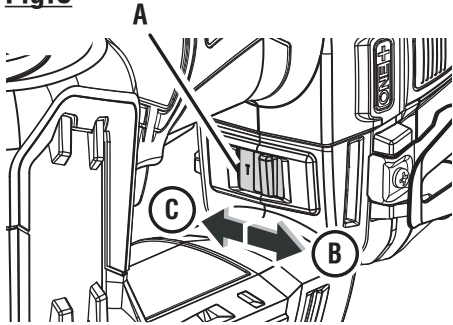
- A - Air pressure lever (levier de pression d'air, palanca de presión de aire)
- B - Decrease pressure (réduire la pression, disminuir la presión)
- C - Increase pressure (augmenter la pression, aumentar la presión)

Fig.7



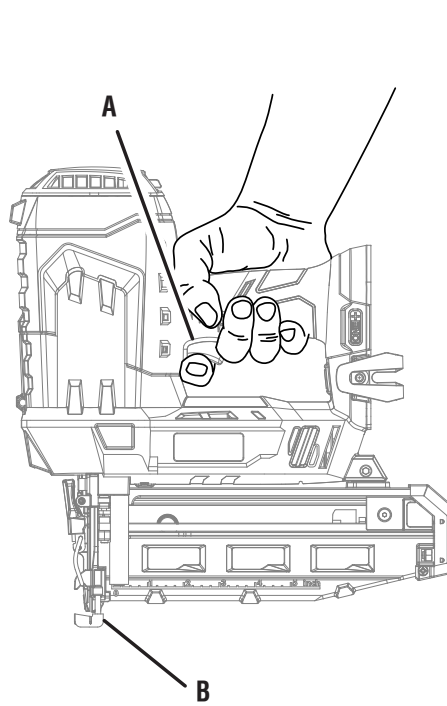
- A - Depth of drive adjustment (réglage de profondeur d'enfoncement, ajuste de la profundidad de introducción)
- B - To decrease depth (pour réduire la profondeur, para disminuir la profundidad)
- C - To increase depth (pour augmenter la profondeur, para aumentar la profundidad)

Fig.8



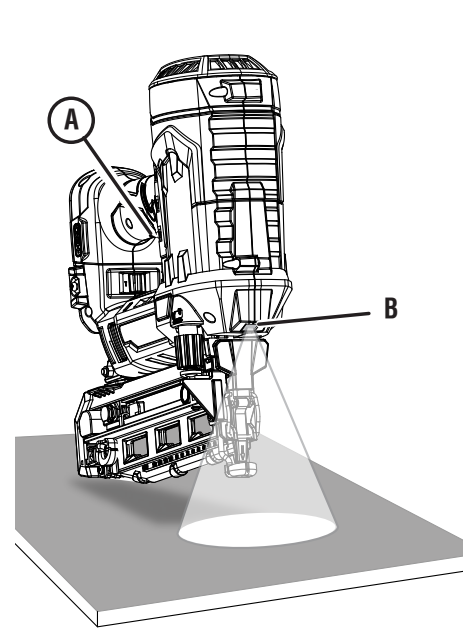
- A - Trigger mode selector (sélecteur de mode de la gâchette, selector de modo del gatillo)
- B - Single sequential mode (mode de déclenchement par séquence, accionamiento por contacto)
- C - Contact actuation mode (déclenchement par contact, para disminuir la profundidad)

Fig. 9



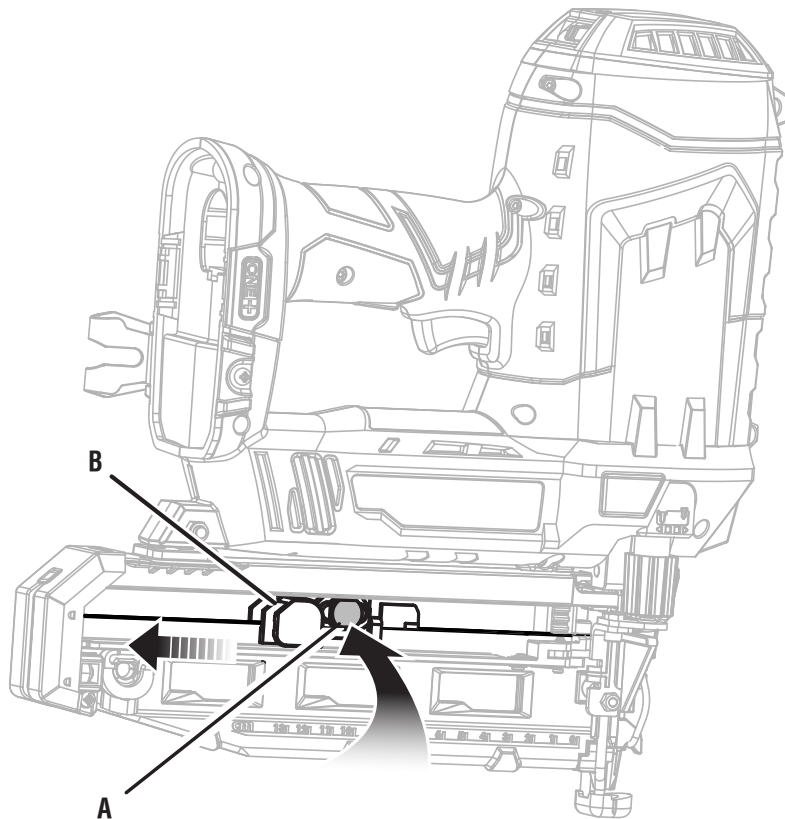
- A - Trigger switch (gâchette, interruptor de gatillo)
- B - Workpiece contact (contact de déclenchement, disparador de contacto)

Fig. 10



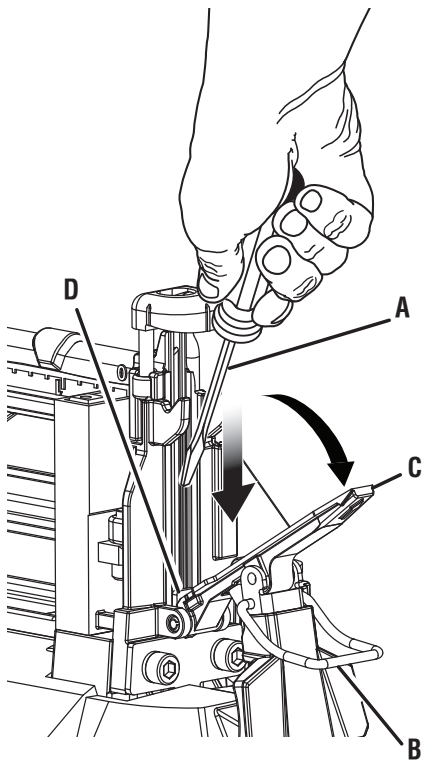
- A - LED worklight grip switch (l'interrupteur d'éclairage DEL, interruptor del mango con luz LED)
- B - LED worklight (lampe de travail LED, luce de trabajo de LED)

Fig. 11



- A - Release button (bouton de déverrouillage, botón de afloje)
- B - Pusher (poussoir, empujador)

Fig. 12



- A - Screwdriver (tournevis, destornillador)
- B - Latch (loquet, pestillo)
- C - Jam release (déblocage, soltador)
- D - Driver mechanism (mécanisme d'entraînement, mecanismo de impulsión)



16 GA FINISH NAILER

CLOUEUSE DE FINITION DE CALIBRE 16

CLAVADORA DE ACABADO CALIBRE 16

P325

• PARTS AND SERVICE

Prior to requesting service or purchasing replacement parts, please obtain your model and serial number from the product data plate.

- MODEL NUMBER _____
- SERIAL NUMBER _____

• HOW TO OBTAIN REPLACEMENT PARTS:

Replacement parts can be purchased online at www.ryobitools.com or by calling 1-800-525-2579. Replacement parts can also be obtained at one of our Authorized Service Centers.

• HOW TO LOCATE AN AUTHORIZED SERVICE CENTER:

Authorized Service Centers can be located online at www.ryobitools.com or by calling 1-800-525-2579.

• HOW TO OBTAIN CUSTOMER OR TECHNICAL SUPPORT:

To obtain Customer or Technical Support please contact us at 1-800-525-2579.

RYOBI is a registered trademark of Ryobi Limited and is used pursuant to a license granted by Ryobi Limited.

• PIÈCES ET SERVICE

Avant de faire la demande de service ou l'achat de pièces de remplacement, veuillez obtenir le numéro de série du modèle à partir de la plaque de données du produit.

- NUMÉRO DE MODÈLE _____
- NUMÉRO DE SÉRIE _____

• COMMENT OBTENIR LES PIÈCES DE REMPLACEMENT :

Les pièces de remplacement peuvent être achetées en ligne sur le site www.ryobitools.com ou par téléphone au 1-800-525-2579. Les pièces de remplacement peuvent être obtenues à un de nos centres de service autorisés.

• COMMENT TROUVER UN CENTRE DE SERVICE AUTORISÉ :

Les centres de service autorisés peuvent être localisés en ligne au www.ryobitools.com ou en téléphonant au 1-800-525-2579.

• COMMENT OBTENIR DE L'AIDE EN CONTACTANT LE SERVICE À LA CLIENTÈLE :

Pour contacter le service à la clientèle pour une question technique ou pour tout autre renseignement, veuillez nous téléphoner au 1-800-525-2579.

RYOBI est une marque déposée de RYOBI Limited et est utilisée en vertu d'une licence accordée par Ryobi Limited.

• PIEZAS DE REPUESTO Y SERVICIO

Antes de solicitar servicio técnico o comprar piezas de repuesto, obtenga su modelo y número de serie de la placa de datos del producto.

- NÚMERO DE MODELO _____
- NÚMERO DE SERIE _____

• CÓMO OBTENER PIEZAS DE REPUESTO:

Las piezas de repuesto se pueden comprar en nuestro sitio en la red mundial, en la dirección www.ryobitools.com o llamando al 1-800-525-2579. Las piezas de repuesto también se pueden obtener en uno de nuestros Centros de Servicio Autorizados.

• CÓMO LOCALIZAR UN CENTRO DE SERVICIO AUTORIZADO:

Puede encontrar los Centros de Servicio Autorizados visitando nuestro sitio en la red mundial, en la dirección www.ryobitools.com o llamando al 1-800-525-2579.

• CÓMO OBTENER SERVICIO O ASISTENCIA TÉCNICA AL CONSUMIDOR:

Para obtener Servicio o Asistencia Técnica al Consumidor, sírvase comunicarse con nosotros llamando al 1-800-525-2579.

RYOBI es una marca registrada de Ryobi Limited y se utiliza conforme a una licencia otorgada por Ryobi Limited.

ONE WORLD TECHNOLOGIES, INC.

1428 Pearman Dairy Road, Anderson, SC 29625 USA

1-800-525-2579 • www.ryobitools.com

990000781
3-11-14 (REV:03)

A subsidiary of Techtronic Industries Co., Ltd. • OTC: TTNDY