



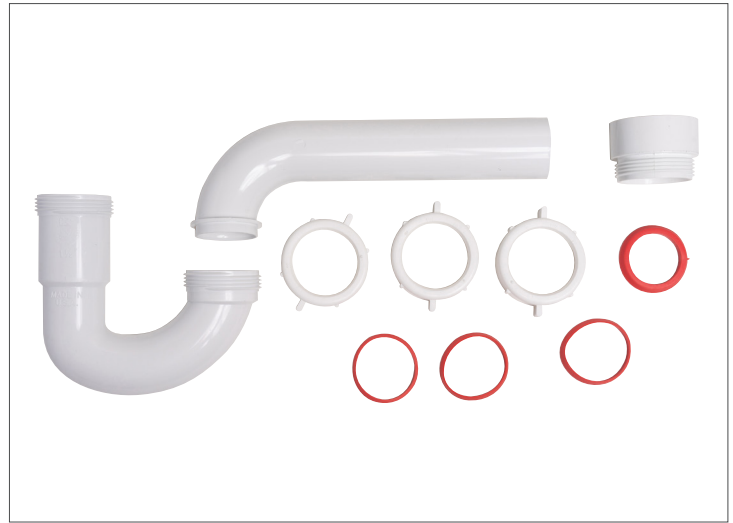
Job Name \_\_\_\_\_ Item # \_\_\_\_\_  
 Location \_\_\_\_\_  
 Engineer \_\_\_\_\_ Contractor \_\_\_\_\_  
 PO # \_\_\_\_\_ Tag \_\_\_\_\_  
 Representative \_\_\_\_\_

## 1-1/2 IN. PVC HEAVY DUTY P-TRAP TECHNICAL SPECIFICATION

### SPECIFICATIONS

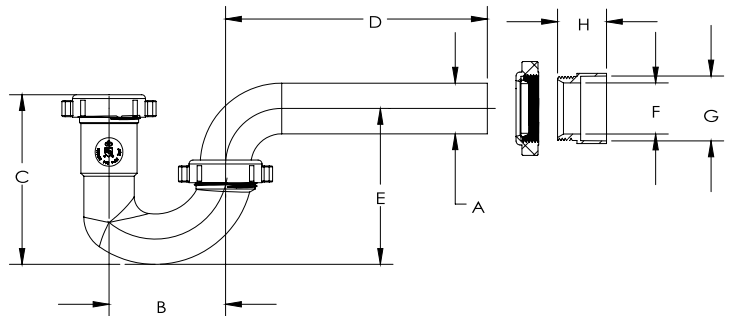
1-1/2 in. White PVC Heavy Duty P-Trap is recommended for kitchen or bathroom P-Trap applications. It features a 1-1/2 in. or 1-1/4 in. inlet with an included reducing washer, solvent weld trap adapter and a 1-1/2 in. outlet. Its reversible J-Bend allows for increased flexibility. Oatey products have earned the trust of plumbing professionals for over 100 years.

### APPROVALS AND LISTINGS



### DIMENSIONS

[A]:	1.50"
[B]:	3.45"
[C]:	5.0"
[D]:	7.75"
[E]:	4.6"
[F]:	1.525"
[G]:	1.92"
[H]:	1.45"



### PRODUCT SELECTOR

✓	Product Number	Description	Ctn. Wt.	Ctn. Qty.
	HDC9682	1-1/2 in. PVC Heavy Duty P-Trap	5.925 lbs.	12

Access BIM/Revit content through [www.oatey.com](http://www.oatey.com)