

DV50K7500EV

SAMSUNG

Samsung Front-Load Electric Dryer

7.5 cu. ft. Capacity DOE



Signature Features

2016 ENERGY STAR® Certified

- Meets the strict 2016 energy efficiency specifications and standards.

Multi-Steam Technology

- Steam away wrinkles, odors, bacteria and static.

Vent Sensor

- Detects duct blockages and reminds you to clean your vent.

Available Colors



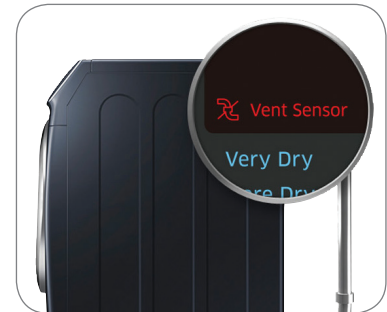
Fingerprint Resistant
Black Stainless Steel (shown)



White



Multi-Steam Technology



Vent Sensor

Features

- 2016 ENERGY STAR® Certified
- Multi-Steam Technology
- Vent Sensor
- Stainless Steel Drum
- Eco Dry Technology
- Smart Home Ready
- Smart Care
- Sensor Dry
- 14 Preset Dry Cycles
- 13 Options
- 5 Temperature Settings
- 4-Way Venting
- Dual Heaters
- Dryer Rack
- Dryer Drum Light
- Reversible See-Through Door

Convenience

- Child Lock
- My Cycle Option
- Filter Check Indicator

Rating



ENERGY STAR®-rated
607 kWh/yr

DV50K7500EV

SAMSUNG

Samsung Front-Load Electric Dryer

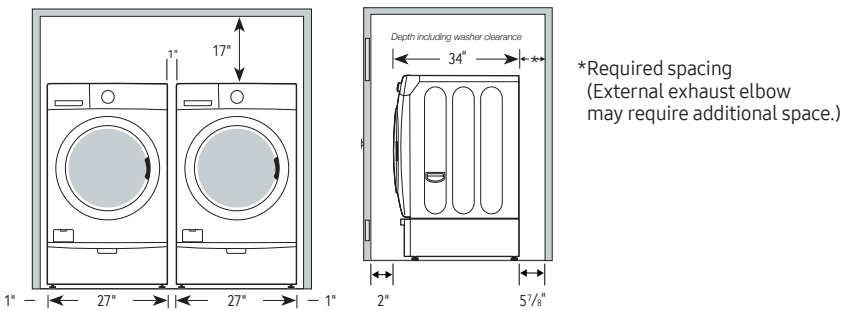
7.5 cu. ft. Capacity DOE

Installation Specifications

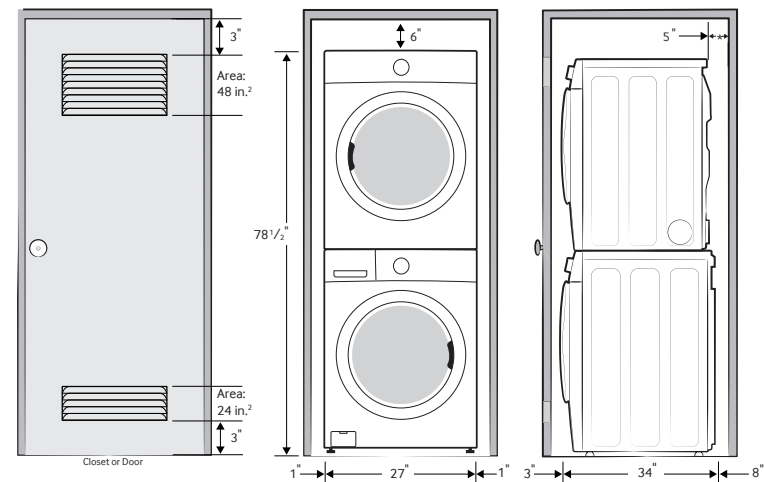
If the washer and dryer are installed together or the dryer alone, the closet front must have two unobstructed air openings for a combined minimum total area of 72-inch² (see stacked build below). Your washer alone does not require a specific air opening.

1. Alcove or closet installation

Minimum Clearance for Closet and Alcove Installations:

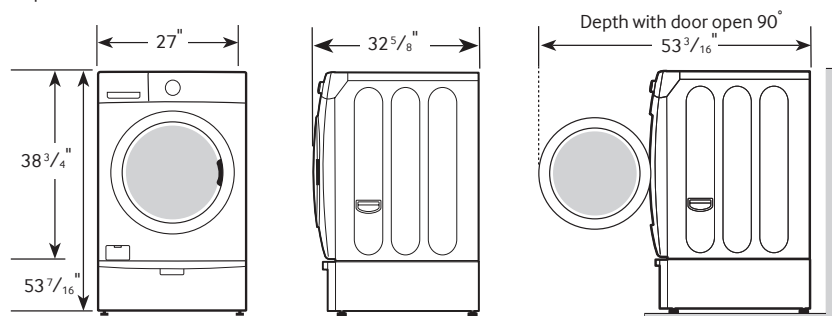


2. With stacked washer and dryer



Dimensions

Required Dimensions for Installation with Pedestal:



4-Way Venting

14 Preset Dry Cycles:

Refresh, Wrinkle Away, Steam Sanitize, Eco Normal, Normal, Heavy Duty, Permanent Press, Active Wear, Bedding, Delicates, Wool, Time Dry, Air Fluff, Quick Dry

13 Options:

Mixed Load Bell, Wrinkle Prevent, Anti-Static, My Cycle, Rack Dry, Adjust Time (Up), Adjust Time (Down), Eco Dry, Sound, Child Lock, Smart Control, Smart Care, Drum Light

5 Temperature Settings:

High, Medium, Medium Low, Low, Extra Low

5 Dry Levels:

Very Dry, More Dry, Normal Dry, Less Dry, Damp Dry

Warranty

One (1) Year Parts and Labor

Product Dimensions & Weight (WxHxD)

Dimensions: 27" x 38³/₄" x 32⁵/₈"

Weight: 126 lbs

Shipping Dimensions & Weight (WxHxD)

Dimensions: 29³/₈" x 42³/₈" x 34¹¹/₁₆"

Weight: 134 lbs

Electric

Fingerprint Resistant
Black Stainless Steel
White

Model

DV50K7500EV
DV50K7500EW

UPC Code

887276135946
887276135960

Gas

Fingerprint Resistant
Black Stainless Steel
White

DV50K7500GV
DV50K7500GW

887276135977
887276135984

Matching Washer

Fingerprint Resistant
Black Stainless Steel
White

WF50K7500AV
WF50K7500AW

887276135557
887276135564