

Assembly and Operation Manual

Cantilever Umbrella



CLASSIC

10' Round



Thank you for your purchase of

PURPLE LEAF's Cantilever Umbrella

Read and follow this assembly and operation guide.

To avoid personal injury and damage to your umbrella,
please **close** your umbrella when it is incoming over **30 mph** wind.

We recommend a **two-person team** for assembly and disassembly.

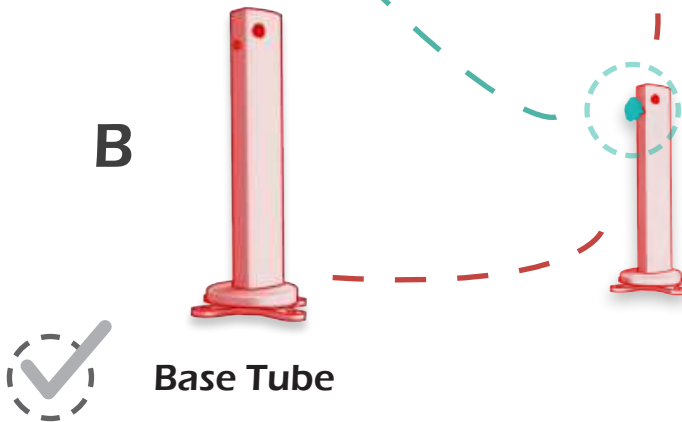
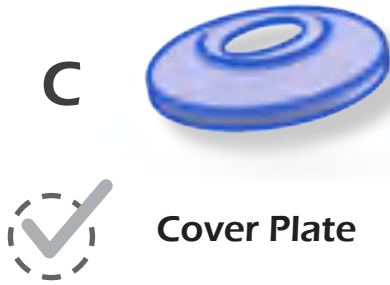
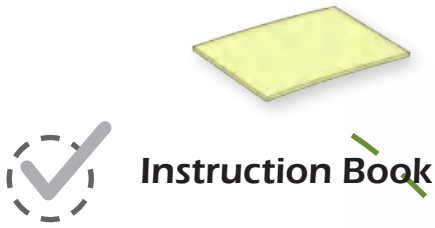
If you like our products, please tell other customers.

If you have problem with our products, please tell us.

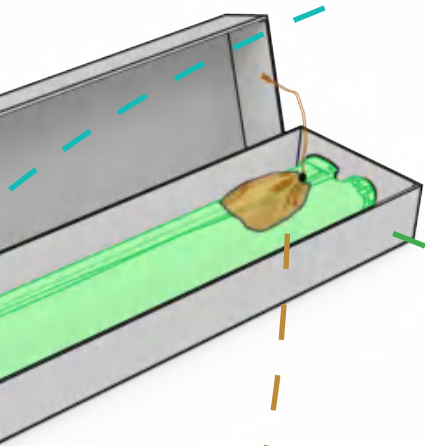
Please feel free to contact us.

PURPLE LEAF

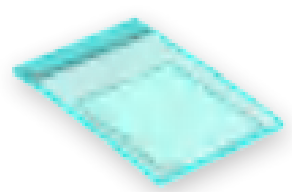




List

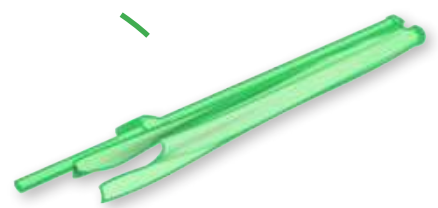


P



Umbrella Cover

G

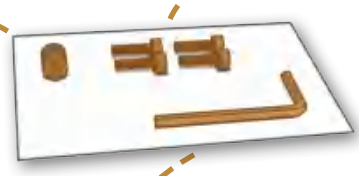


Umbrella Canopy



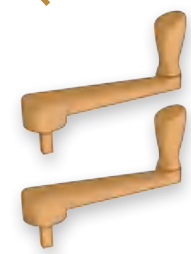
E Bolt×4
(8mm*25mm)

F Washer×4



A Allen Wrench

I

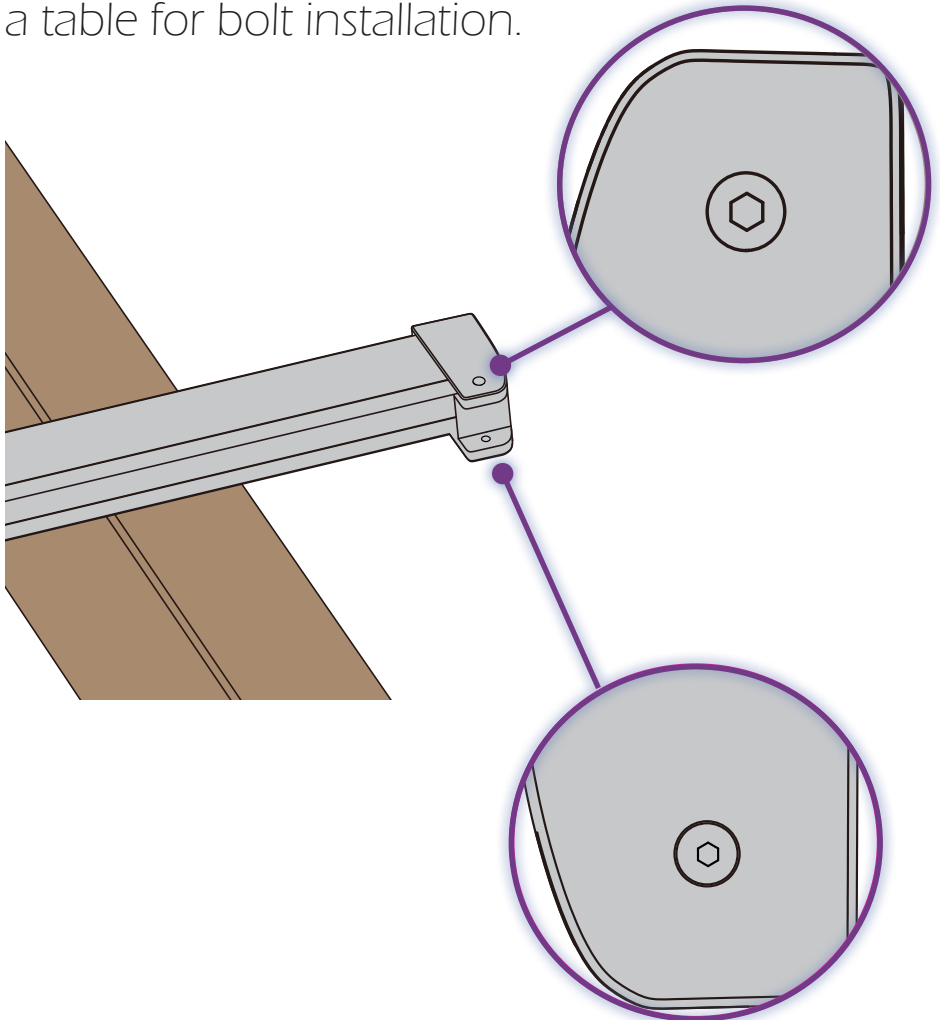


Hand Crank

1

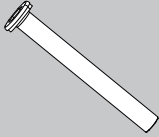
Top Assembly

Place the umbrella frame (G) on a table for bolt installation.

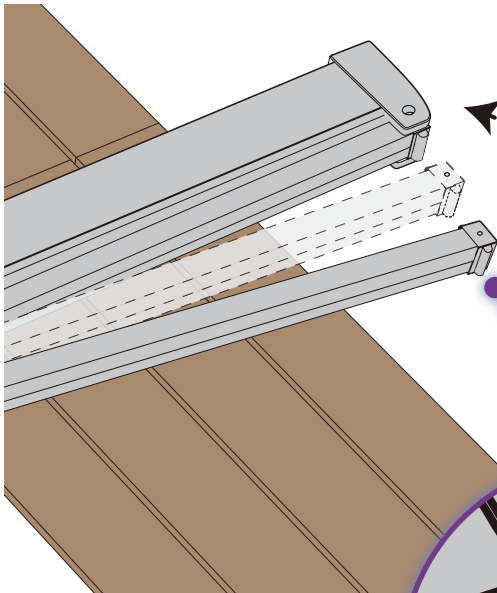


Top Assembly

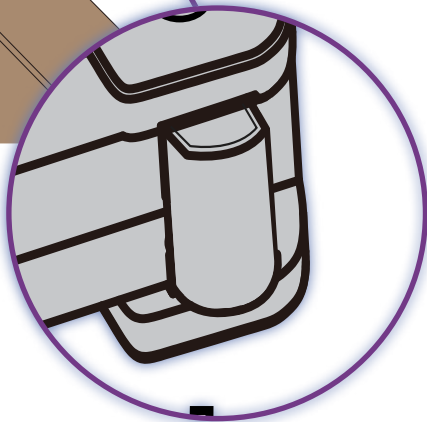
1



M4 **×2**



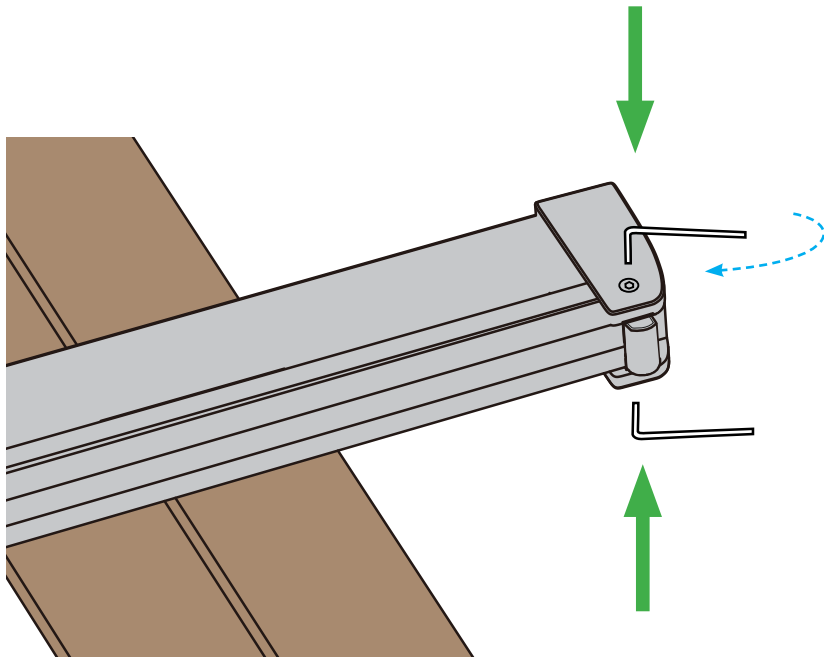
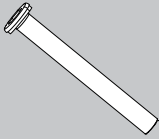
Join two pole parts together and line up their holes.



The bulge of the plastic cap should be outward.

1

Top Assembly



Press against the bolt with one wrench while turning the other wrench until secure.

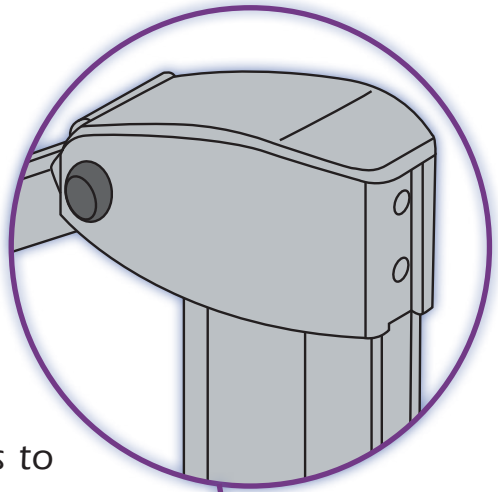
Note: Be sure that the bolts are tightened.

Top Assembly

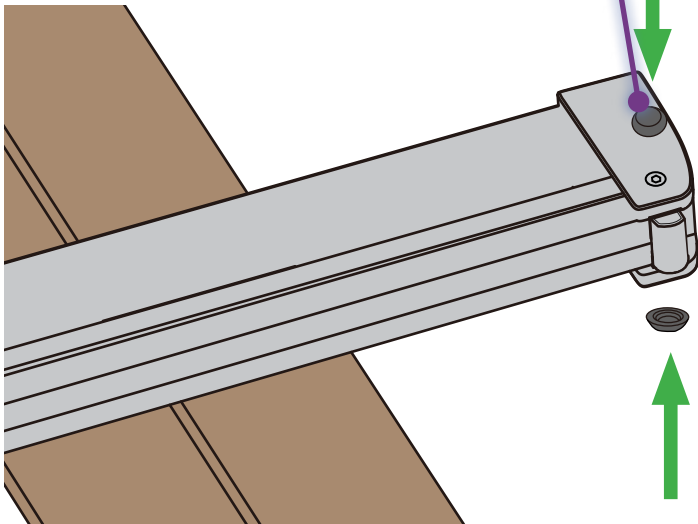
1



×2



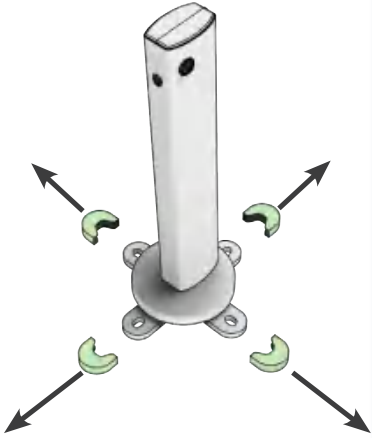
Cover two plastic caps to the bolt and nut.



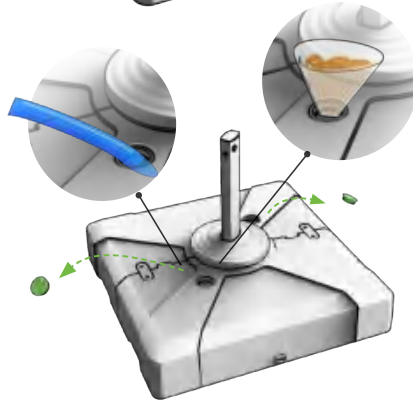
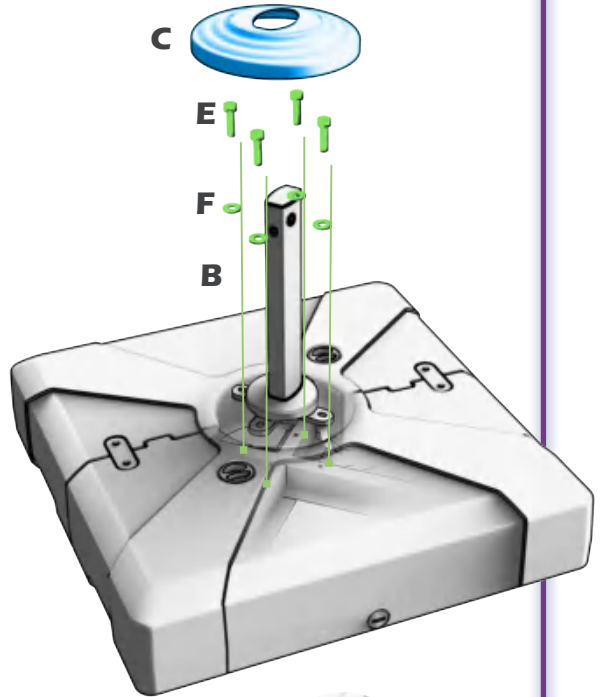
2

Base Tube Assembly

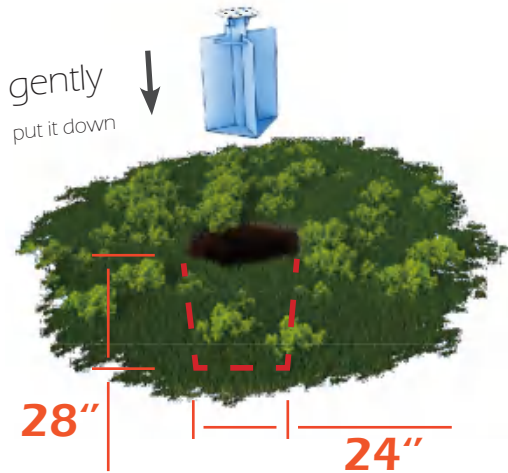
Option 1 / **Water Tank Base**
(Sold Separately)



Note: Remove four black plastic sleeves before installing the base tube.



Option 2 / **Inground Base** (Sold Separately)



That is horizontal.

Concrete >700lbs



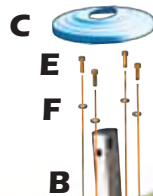
2

Base Tube Assembly

Option 2 / **Inground Base**
(Sold Separately)

 **Standard umbrella**

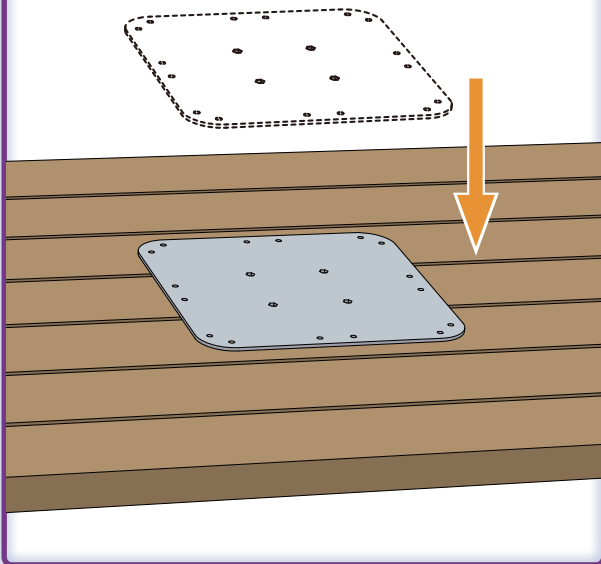
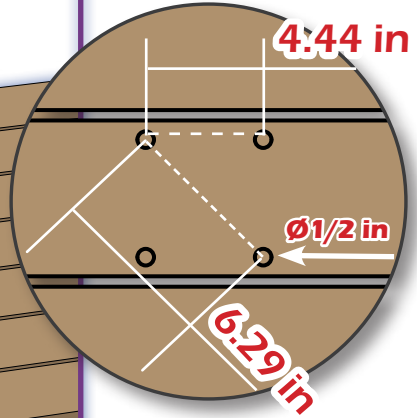
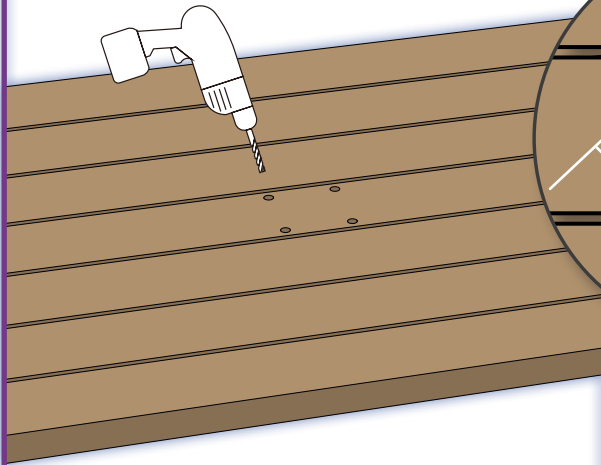
 For special accessories



Base Tube Assembly

2

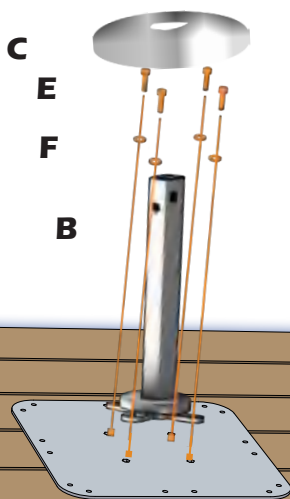
Option 3 / **Baseplate**
(Sold Separately)



2

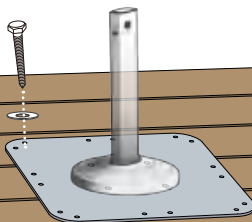
Base Tube Assembly

Option 3 / **Baseplate**
(Sold Separately)



1/4 inch  **×16**

Use **1/4 inch** -diameter galvanized/stainless lag screws to mount the plate to the deck (included in the package).



Important

Prior to assembly, it is important to choose the location of the umbrella.

- Allow ample height to avoid damage to your umbrella during assembly and usage.
- Choose a location that is **level and sturdy**.
- Consider a location that will maximize the umbrella's rotating swivel function. Placing the umbrella between two entertaining areas is ideal.
- To avoid personal injury or damage to the umbrella, make sure the area around you is clear from any outdoor structure or furniture.
- Keep all the flame and heat sources away from this umbrella.

STORAGE: Properly store the umbrella when not in use. Close the umbrella, fasten the strap around the canopy and cover the umbrella with a protective cover.

NOTE: DO NOT discard any packaging or box until assembly is complete.

CAUTION: Moving the umbrella when it is fully open will increase the risk of damage to your umbrella or will cause serious injury. We recommend a two-person team for assembly and disassembly.

3

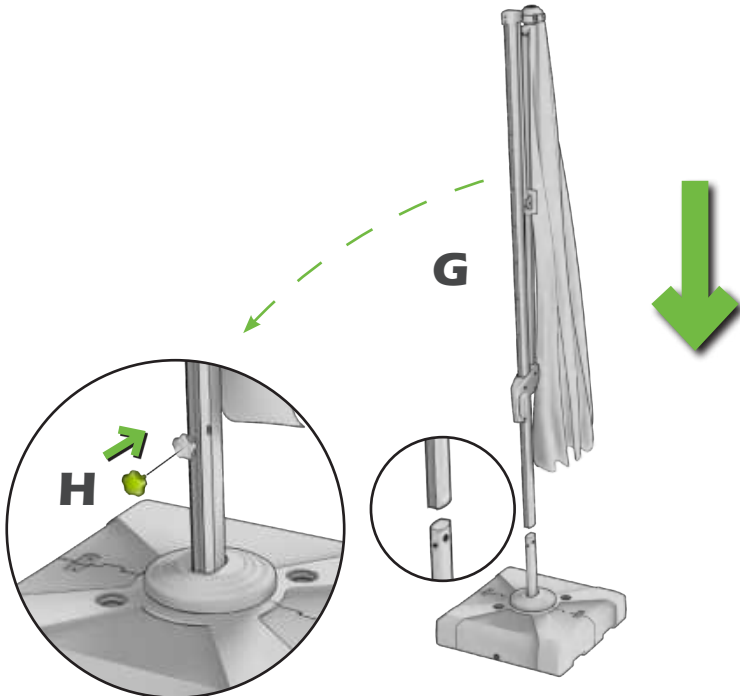
Umbrella Assembly

Two-persons recommended for team lift and to complete assembly.

Insert the **main pole** onto the **base tube(B)** with the **cover plate(C)** installed.

Insert the **connector knob (H)** to the matched-up holes.

Be mindful of the packaging in the umbrella canopy. It MUST be removed before opening.



CAUTION: Stop turning the crank handle as soon as the umbrella cover is completely open and the sleeve on the umbrella pole has reached its maximum height.

IMPORTANT: PRIOR TO USING THE TILT FUNCTION.

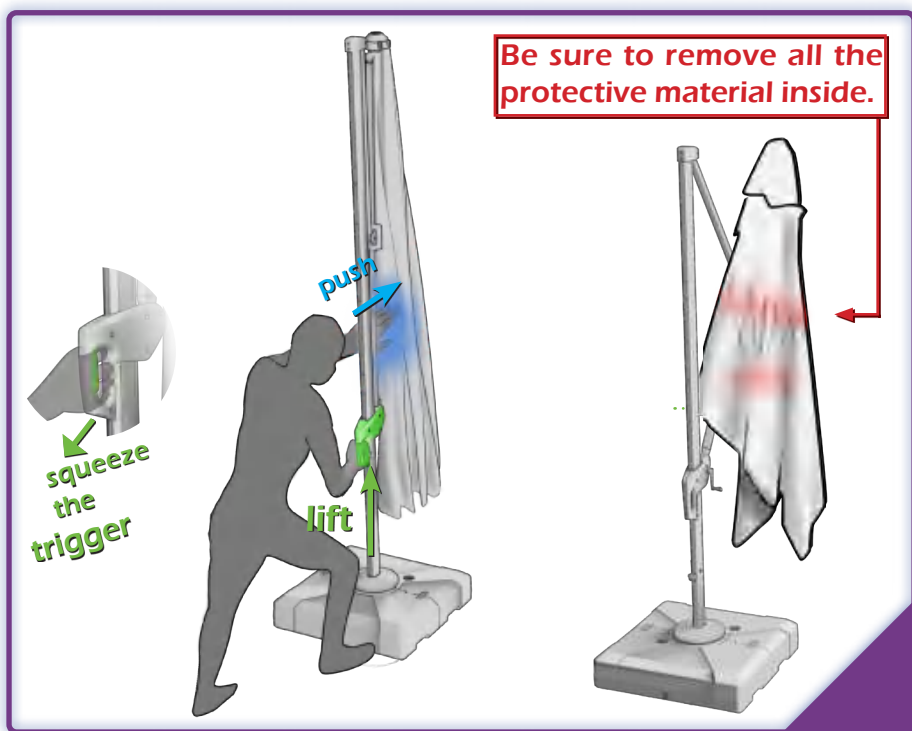
To avoid personal injury or damage to the umbrella, make sure the area behind you is clear and free from any furniture or structure.

4

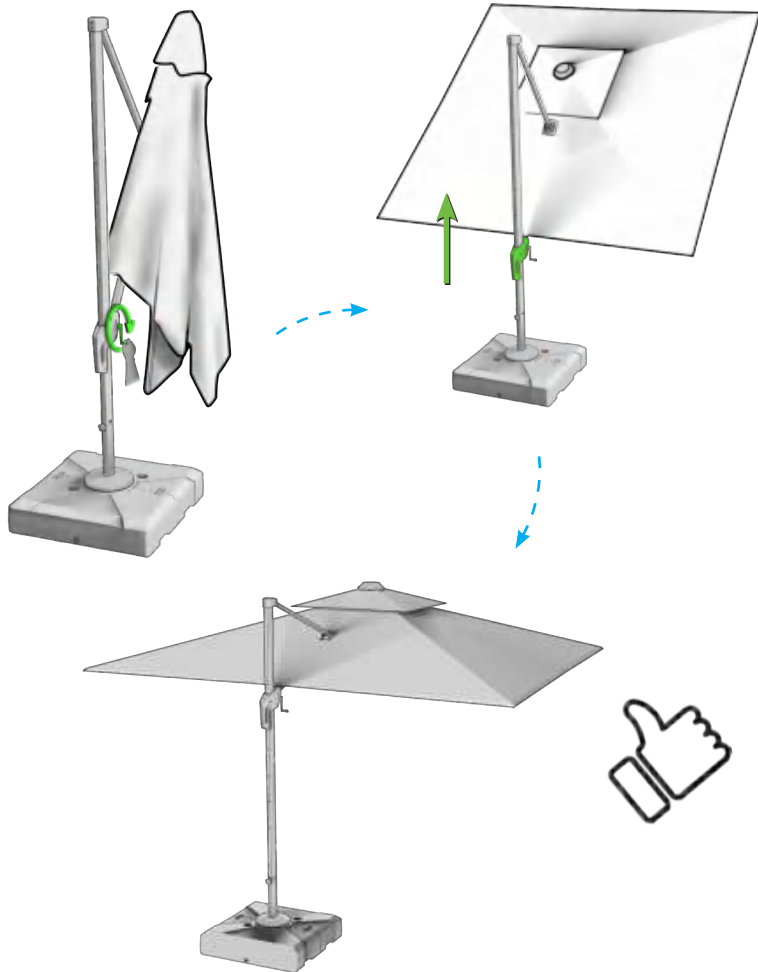
Operation

To Open Canopy

1. Slide the umbrella handle to the top of the pole by squeezing the trigger.
2. Insert the **hand crank(I)** into the small hole of the handle on the post.



Note: Be mindful of the packaging in the umbrella canopy. It **MUST** be removed before opening.



4

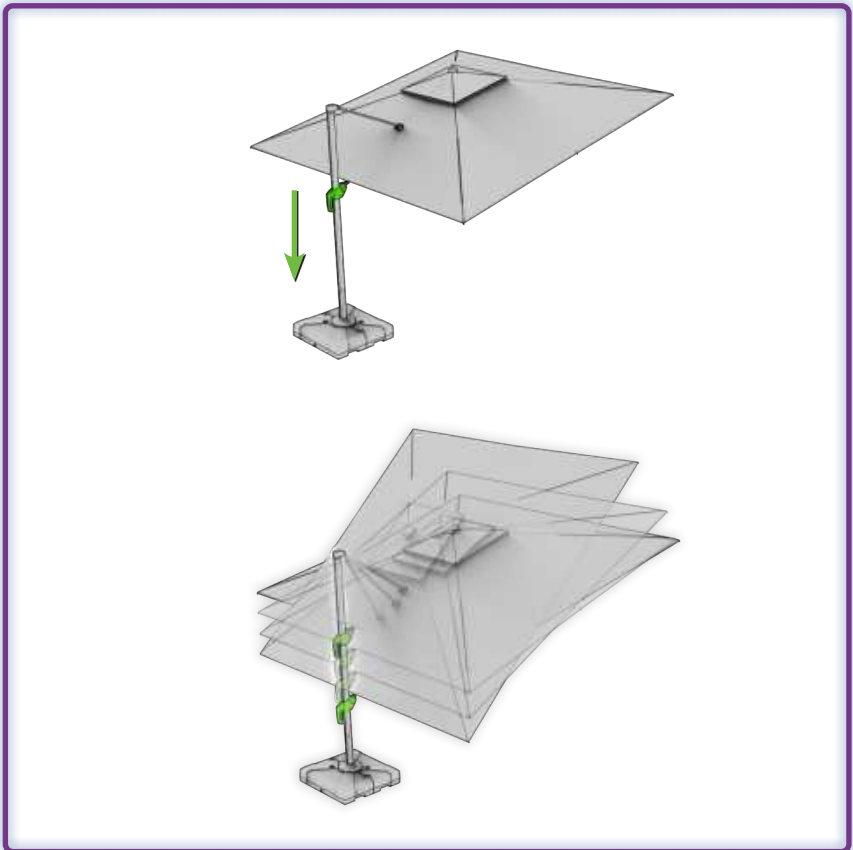
Operation

To Tilt Canopy

Press on the handle trigger and move the handle up and down to adjust the angle of the umbrella canopy.

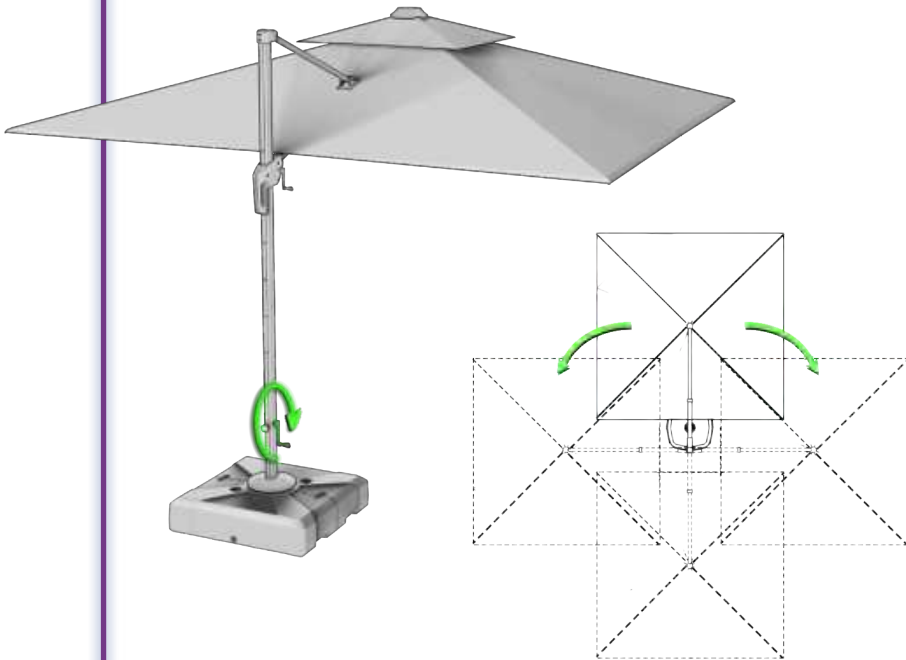
IMPORTANT: PRIOR TO USING THE TILT FUNCTION.

To avoid personal injury or damage to the umbrella, make sure the area behind you is clear and free from any furniture or structure.



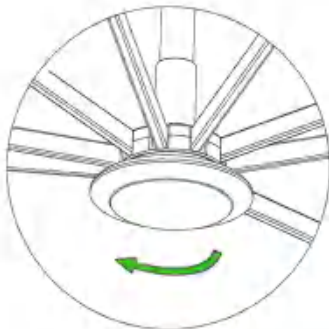
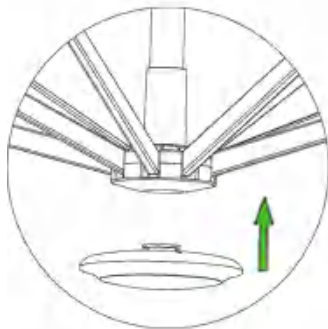
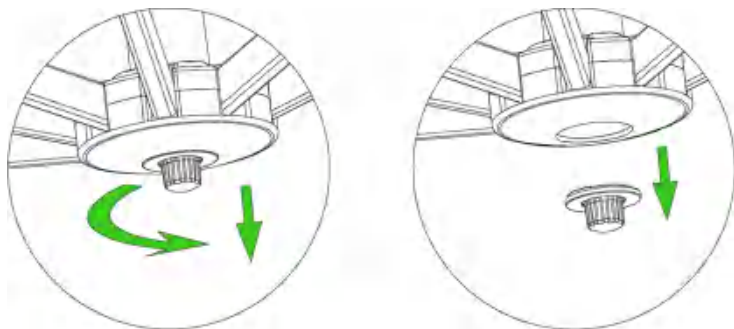
To Operate the 360° Rotation

Insert the **hand crank(I)** into the hole near the bottom of the umbrella, turn the crank to rotate it.



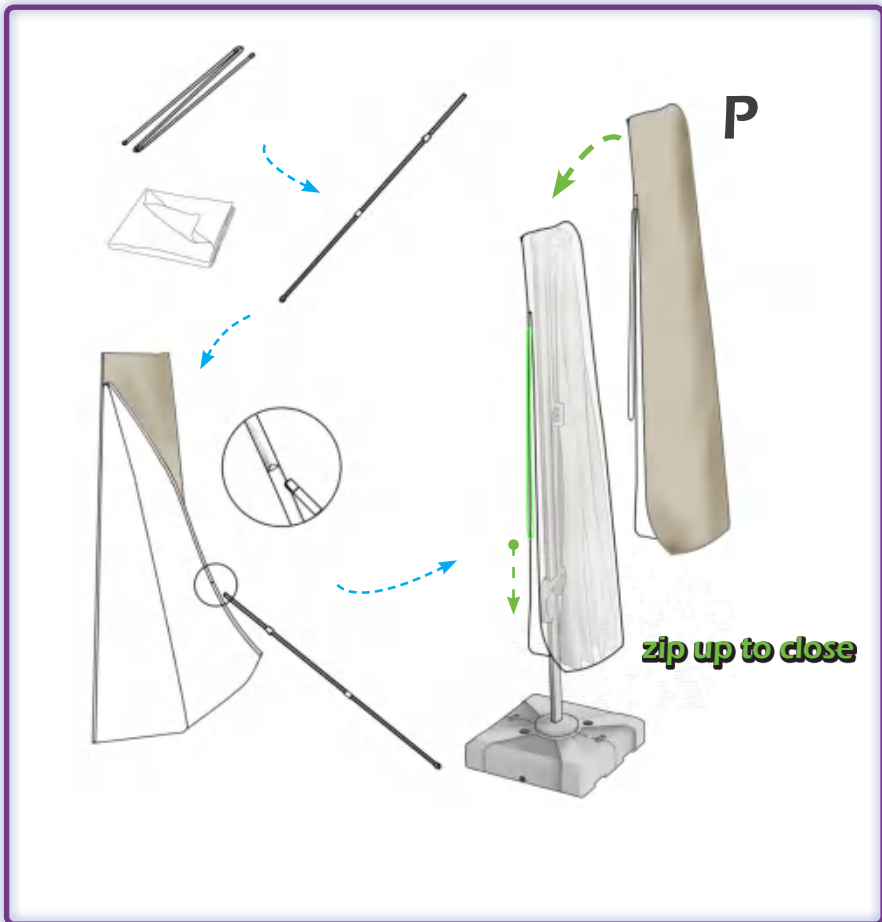
To Install Umbrella Light

(Sold Separately)



To Protect the Umbrella

1. The umbrella cover should only be used when umbrella fabric is completely dry.
2. Umbrella should be closed or stored indoors during windy conditions.
3. Do not use the umbrella during windy or severe weather conditions.



SAFETY PRECAUTIONS

Close the umbrella in windy conditions or when a storm approaches.

Never allow the umbrella to flap in the wind. This could damage the canopy.

Properly store umbrella when not in use. Close umbrella, and cover umbrella with a protective cover.

Do not leave an open umbrella unattended. If damage occurs, this is not covered by the warranty.

When adjusting the umbrella, make sure that no person(s) or item(s) are close to the umbrella. This is important to prevent injury or material damage.

This warranty does not cover the following items:

Failure caused by unreasonable or abusive use.

Failure caused by neglect of reasonable and necessary care.

Acts of nature (including but not limited to wind, hurricanes, tornadoes, and storms) are not covered by this warranty.

Care And Maintenance

When not in use, close and cover umbrella with a protective cover.

If necessary, clean the fabric with lukewarm water.

Allow a wet canopy to dry slightly opened, but do not leave unattended.

Wipe sliding marks on the aluminum poles with a damp cloth.

Winter Storage: Store in A Dry Place.

WARRANTY

Frame

Frames are warranted to be free from defects in materials and workmanship for a period of one year. Damage to frames or welds due to improper assembly or exposure to water and sub-freezing temperatures is not covered.

Fabric

Fabric is warranted for a period of three years. Fading or discoloration resulting from exposure to the elements, chemicals, or from spills is not covered.

5

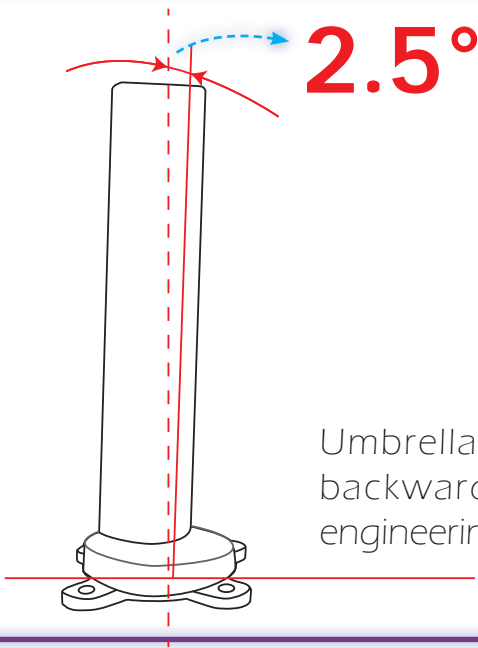
Notification

Finish

The finish is warranted against peeling, cracking, or blistering for a period of one year, provided the unit has not been scratched or abraded. Scratches and chips resulting from abnormal wear and tear are not covered. Fading resulting from exposure to elements is not covered.

Note

All operation should be according to the instruction manual.

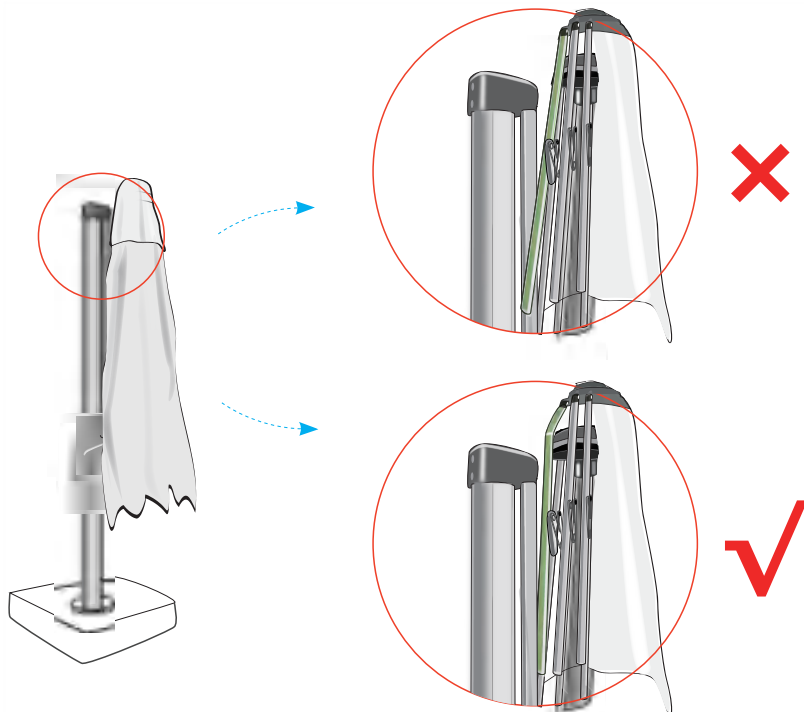
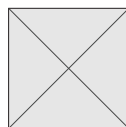
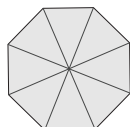


Umbrella base tube has 2.5° backward to the vertical for engineering purpose.

Attention

6

For octagonal umbrellas, the rib above the main support arm has a special curve (looks like dents). It prevents the main support arm to damage that rib when the umbrella is closed.





*Purple Leaf Inc.
1820 E Locust St, Ontario
CA, 91761, US
umbrella8@purpleleafgarden.com
Copyright 2016-2023 Purple Leaf Inc.
All Rights Reserved*