

Shower & Bath Enclosure Installation Instructions

Thank you for purchasing Freshjet Shower products. We are committed to providing our customers with high quality products at a competitive price.

Please read all instructions carefully before and during installation.

Professional help is required for installation.

These installation instructions should be used as a guideline. Your specific shower or bath enclosure may differ from the figures shown in these instructions. This instruction is for shower models as follows: S-3232, S-3232EF, S-3636, and S-3636EF

Additional Installation Tools and Materials:

- 1" long #6 metal screws (smallest head) (4 Pcs)
- Silicone sealant
- Phillips head screw driver
- Flat head screw driver
- Rubber mallet
- Power drill and bits
- 1X4 lumber of 70" long, two pieces
- Hard PVC 1-1/4" pipe or flexible EZ Flo 1-1/4" PVC hose for the drain

The shower is delivered in a wood crate with carton box contents as follows:

Carton 1: front glass panels (2 pcs #29), glass doors (2 pcs #31), seal strips (2 pcs #34, 2 pcs #36), Stiles (2 pcs #37), Stile seals (2 pcs #28), door rollers (8 pcs #32), door handles (2 pcs #33), screws (8 pcs #27), panel clips (4 pcs #41), screws for the clips (4 pcs #40), door roller stops (8 pcs #25), door stopper screws (8 pcs #24)

Carton 2: back wall panels (Parts #7 and #17),

Carton 3: base (1pc #12), top roof (1 pc 04), door tracks (2 pcs #35, same tracks), valve (1 pcs #46), shelf (1 pcs #08), through-wall elbow (1 pc #11), hand-held shower head (1 pc #18), flexible water hose (1 pcs #21), water supply hose (braided) (1 long and 1 short #10), hand-held shower rest (1 pc #19), over-head shower head (1 pcs #16), Drain with flexible hose if you ordered 1-1/2" drain or EF model (1 pcs #23), screws for the overall assemble (15 pcs #06)

Please use Parts List to check the contents above.

Please use parts # when ordering missing or replacement parts.

1. Pre-installation

Check the area you want to install your unit for the following:

a. Water hook-ups are located on the left back wall (when facing the shower) at 24" from the corner and 48" above the floor. Please use flexible PEX or flexible water hoses of about 3' long and with 1/2" FIP fittings for both hot and cold water. If right hand side water supplies chosen, please have water supplies on the right hand at 12" from the corner and 48" above the floor.

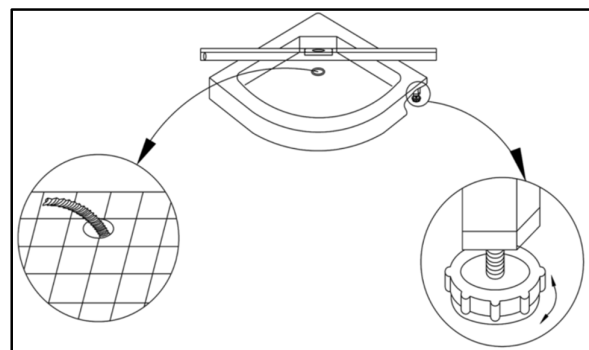
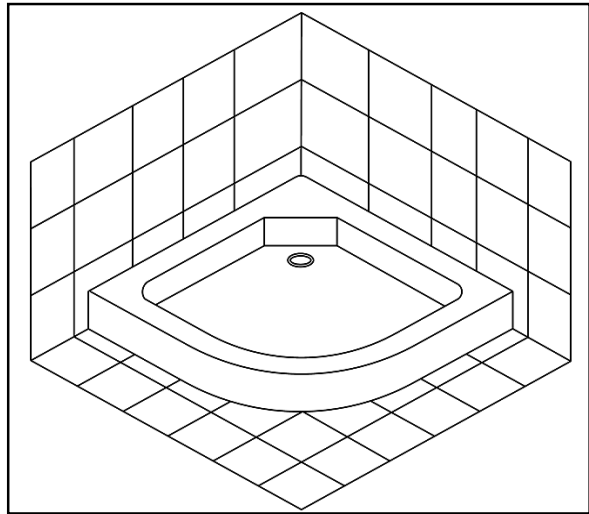
b. The drain center is 7-1/2" from each wall for S-3232/S-3232EF, and 10" for S-3636/S-3636EF. For S-3232 and S-3636 models, floor drain pipe must be plumbed to the location right below the base drain, and use US standard 2" drain piece (not included). For S-3232EF and S-3636EF models, Easy Fit Drain (included) can lead 1-1/4" flexible PVC hose (not included) or hard PVC pipe (not included) to existing drain location.

c. Install 1X4 vertically on both walls: For S-3232 and S-3232EF, 30-1/2" from the corner to the outer edge of the 1X4 and 7" above the floor. For S-3636 and S-3636EF, 34-1/2" from the corner to the outer edge of the 1X4 and 7" above the floor.

For more detailed information, please read the page "Shower Drain and Water Supply Recommendations".

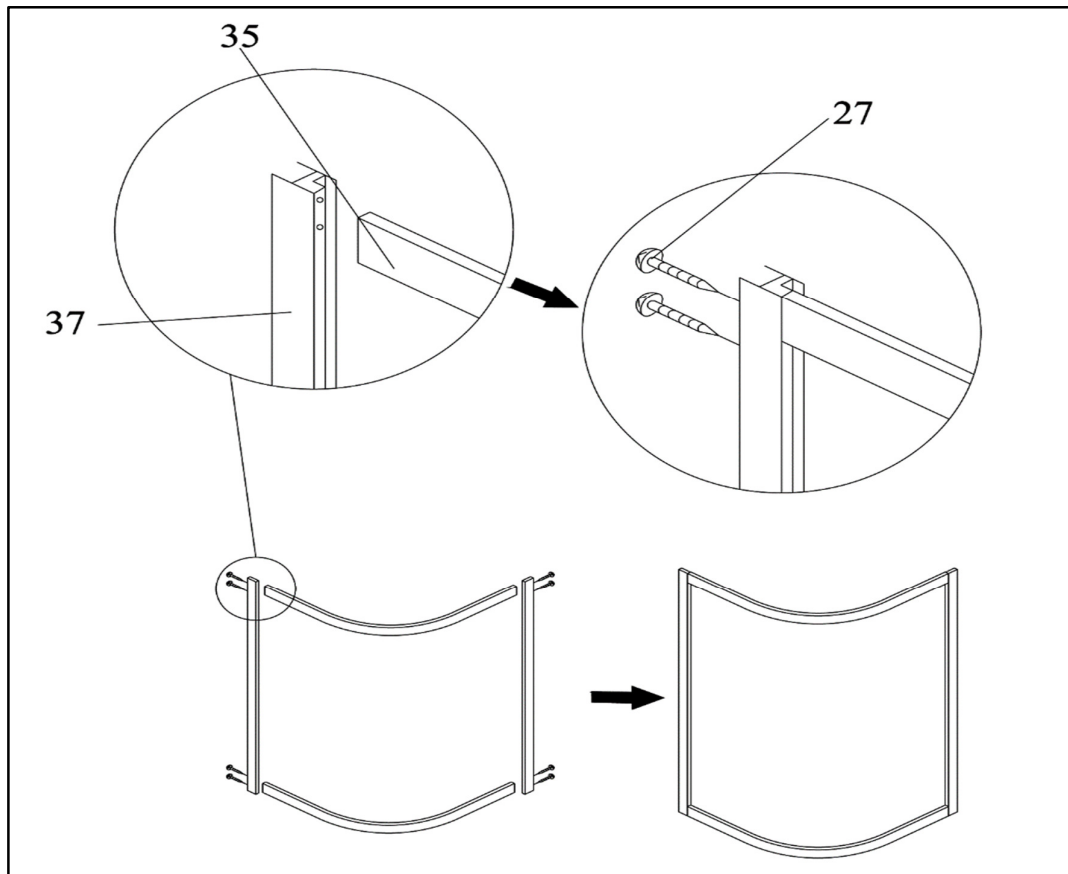
2. Base Preparation

- a. Remove the shower base pan from its packaging.
- b. Remove all protective covering films from the base.
- c. Adjust the feet of the base so that the base is level when lying flat on the ground.
- d. To install EF drain or standard 2" drain, take out the drain flange.
- e. Apply silicone sealant to the bottom side of the rim on the drain flange and place it over the drain hole of the base pan.
- f. Put on the rubber gasket from the bottom side of the pan to the flange. Screw the drain body elbow to the flange until tight. Do not over tighten as this may crack the plastic.
- g. Attach 1-1/4" PVC flexible pipe to the drain body elbow.
- h. Extend the flexible PVC pipe and feed it into the floor drain. You may use 1-1/4" coupling to secure the drain pipe to your floor drain.
- i. Once the PVC flexible drain pipe routing is decided, spray polyurethane foam to the bottom of the base pan.
- j. Secure the pan to place with silicon sealant against the walls and floor.



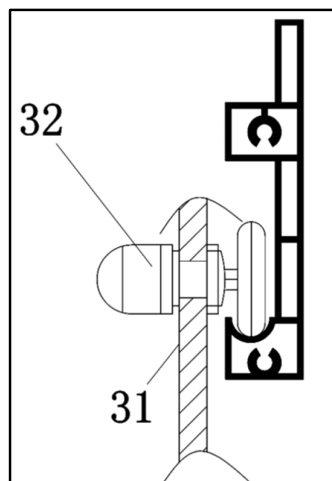
3. Glass Frame Assembly

a. Connect curved door roller tracks to the vertical stiles with two 1" long #6 metal screws

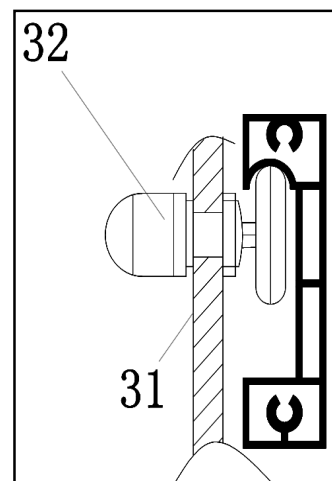


as shown by the illustration.

b. Top and bottom tracks (#35) are identical but they have to be placed in the correct orientations as shown by the drawings below.



Top Track



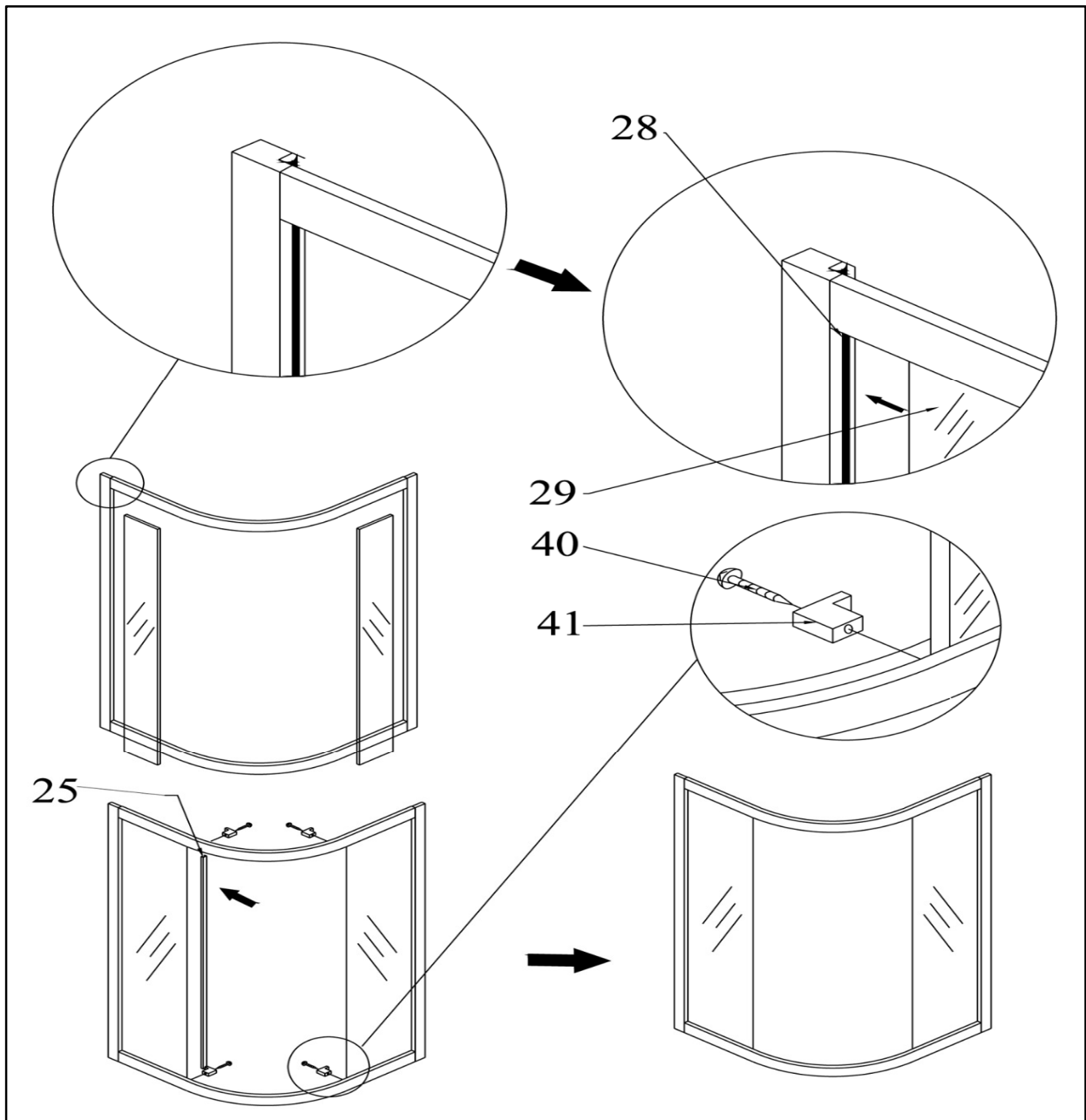
Bottom Track

c. Install door stiles (#37) to the door tracks as shown by the illustration, using #6 1" long iron screws (8pcs provided).

4. Glass Panel Installation

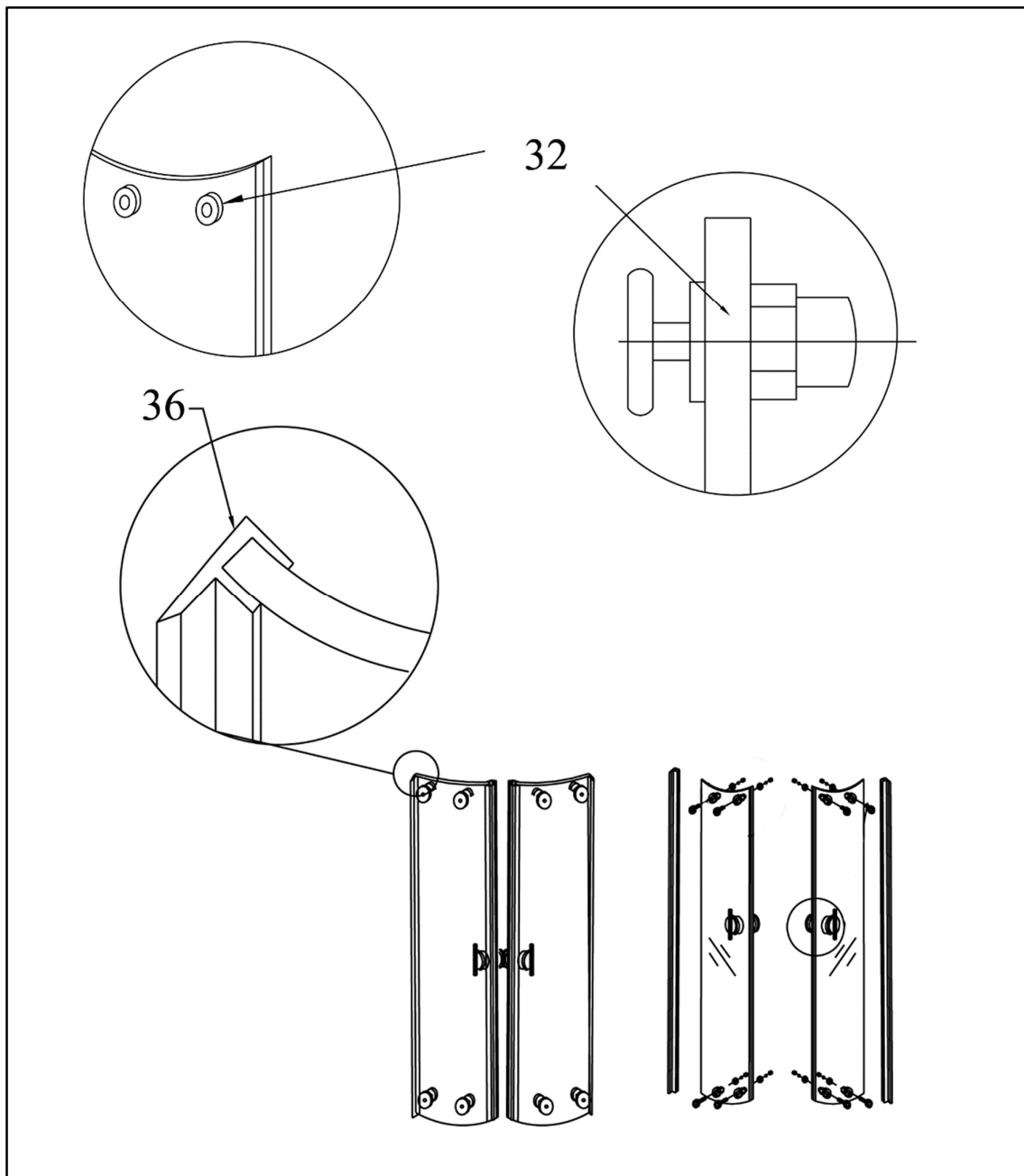
Install fixed glass panels to the door frame as shown by the illustration:

1. Flatten plastic seal #28 side to side with a plier wrench
2. Put the plastic seal #28 over the edge of the long glass panel
3. Tamper the glass panel into the groove of a stile
4. Repeat for the other glass panel
5. Install the panel clips:
 - a. Drill a pilot hole with 1/16" drill bit
 - b. Secure the clip with an 1/2" metal screw



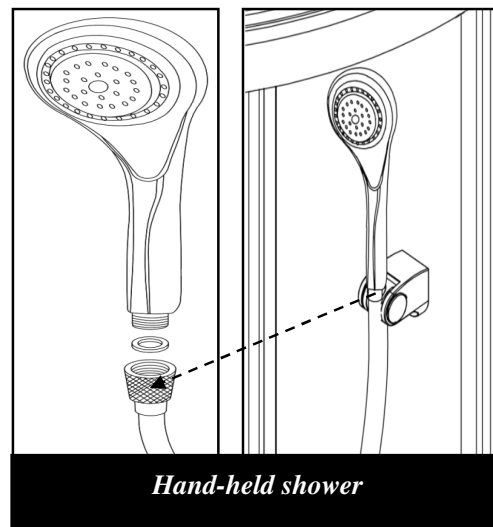
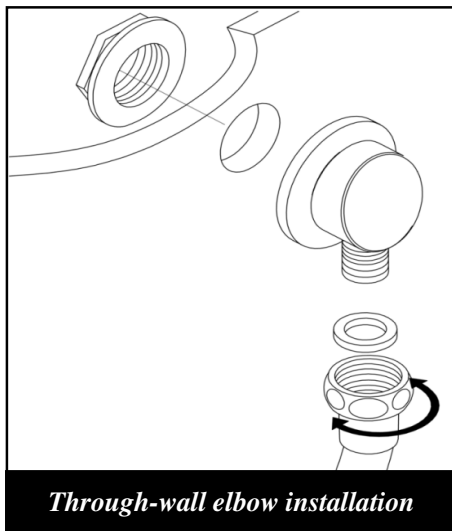
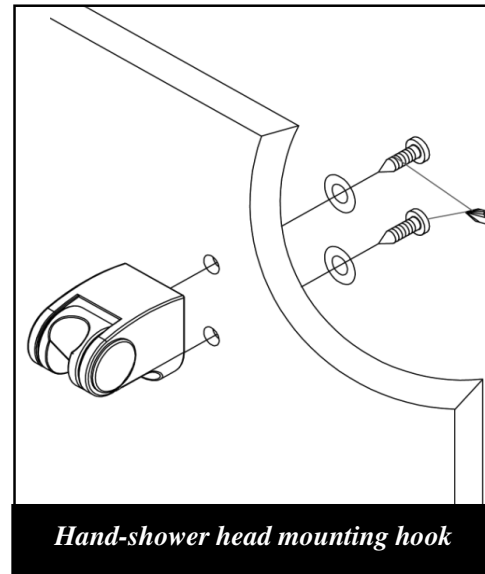
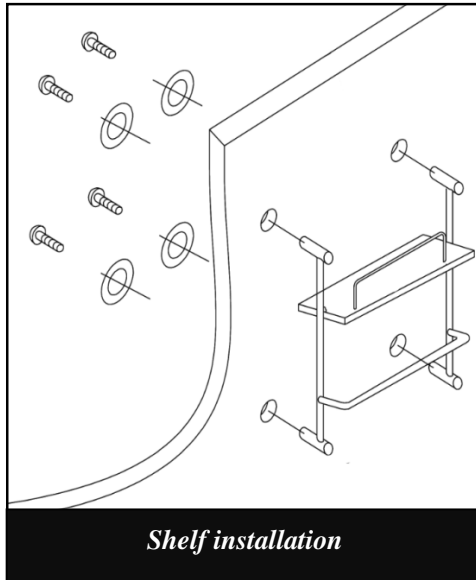
5. Glass Door Assembly

- a. Install the door rollers as shown. The rollers with screws are on the top. The screws are for height adjustments. The rollers with springs are on the bottom.
- b. Locate handle holes on the doors and install water seal strips with magnets (dark brown) on the edges near the door handles and clear strips (4) to the other edges as shown by the illustration.
- c. Install the door stoppers inside the tracks. Locate the positions of the door rollers when the doors are closed. Place a door stopper next to the front roller. Use 1/16" drill bit to drill a pilot hole at the center of the door stopper. **Warning: Drill through only the first wall of the track! Don't drill through both walls of the tracks!** Use 1/2" #6 metal screw to secure the door stoppers.



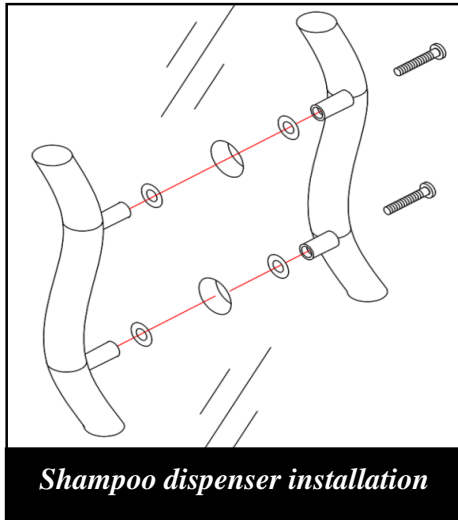
6. Back wall Assembly

- a. Install glass shelf, hand-held mounting bracket, towel bar if applicable, through-wall elbows to back walls through pre-drilled holes.
- b. Please check the installation diagrams below:

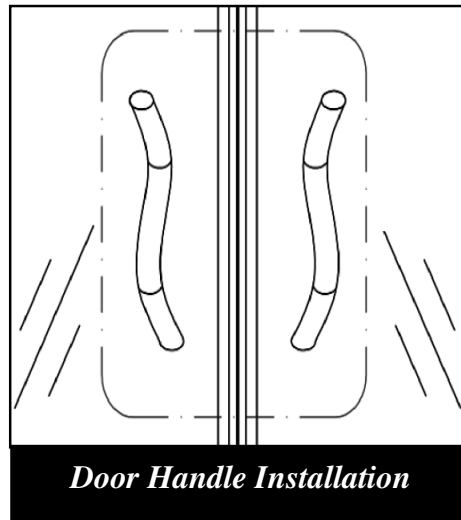


7. Glass Door Installation

- a. Put rollers on top of the doors into the top rail first.
- b. Then push the bottom rollers down and onto into the bottom rail.
- c. Tighten the rollers.
- d. Install the door handles.
- e. Install the magnetic door seals (#34) to the front edges of the doors.
- f. Install the L door seals (#36) to the back edges of the doors, making sure the L pointing outward to the front the glass panels.



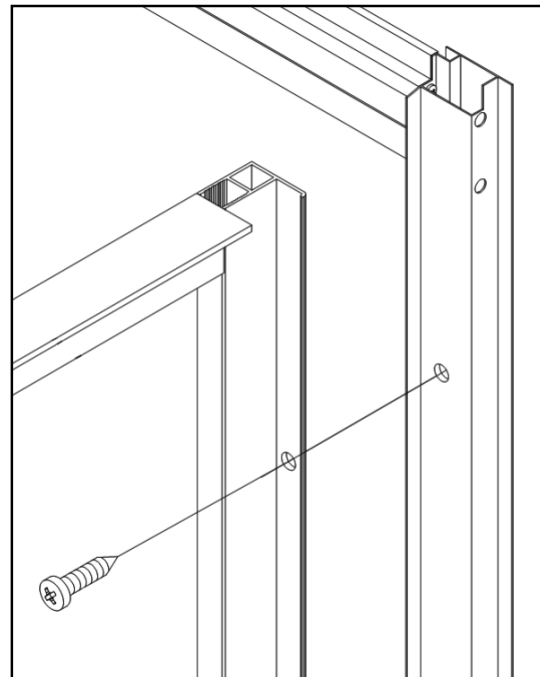
Shampoo dispenser installation



Door Handle Installation

8. Unit Assembly

- a. Connect the front frame with two side-back walls. The $\frac{1}{2}$ " stainless steel screws must be put on from the backside of the shower. Therefore, this connection must be done off the shower base. Have doors removed from the front frame.
- b. Connect two back wall together with 90 degree angled frame to cover over the square frame. Use 1" screws, cup washers and decorative covers to connect the panels from inner side of the shower.
- c. Connect water supply to the shower. You may need to move the front-frame-backwall assembly onto the base but leave enough room for water connections.
- d. Connect and secure all water lines to the shower/bath enclosure. Make sure all connections are water-tight
- e. Move the front-frame-backwall assembly onto the base pan and in place.
- f. Drill two pilot holes ($\frac{1}{16}$ ") at top, middle and bottom on both stiles. Use cup washers and 1" long #6 screws (smallest head size) to attached the front frame to 1X4"s. Place decorative covers on to the cup washers.
- g. Place the roof of the unit on top of the shower enclosure, aligning it with the walls, and fixing it to the wall studs through the edge foldup.



Backwall is attached to the stile of the front frame with $\frac{1}{2}$ " #6 metals screws

9. Caulking

Use silicon sealant to seal all the seams or joints from inside the shower



Shower Drain and Water Supply Recommendations

Water Supplies:

1. The shower control valve needs ½" FIP Connections
2. Shutoff valves should be used for both hot and cold water supplies
3. 3-4 feet long flexible water hoses must be used from shutoff valves to shower control valves
 - A. If Pex used, please use ½" FIP of swivel type for easy installation
 - B. If Pex is not used, please use plastic or stainless braided hoses with ½" FIP connectors at the shower's control valve connection

Drain Connections:

1. For new constructions, please plumb the floor drain to the exact location of the shower drain, and use 2" shower drain such as Oatey.
2. For remodeling and when the floor drain and shower drain don't line up, please use Easy-Fit Drain as follows:
 - A. Use 4" to 1-1/2" PVC Reducing Coupling (Canplas 193023) to reduce the 4" floor drain to 1-1/2". Don't glue down until all parts lined up and tested fit!
 - B. Use 1-1/2" X1-1/4" PVC 90 degree elbow to reduce the drain pipe further to 1-1/4". There are other ways to reduce 1-1/2" to 1-1/4" too.
 - C. Use 1-1/4" to 1-1/4" coupling to connect 1-1/4" hard PVC to 1-1/4" flexible PVC hose (brand: EZ-Flo 1-1/4").
 - D. Connect flexible 1-1/4" hose to Easy-Fit drain. Make sure that flexible hose doesn't have any sharp turns.

Note: All parts described in this section are not included with the shower kit except Easy-Fit Drain. Drain and water supplies are part of the house plumbing. Professional plumbers are recommended.