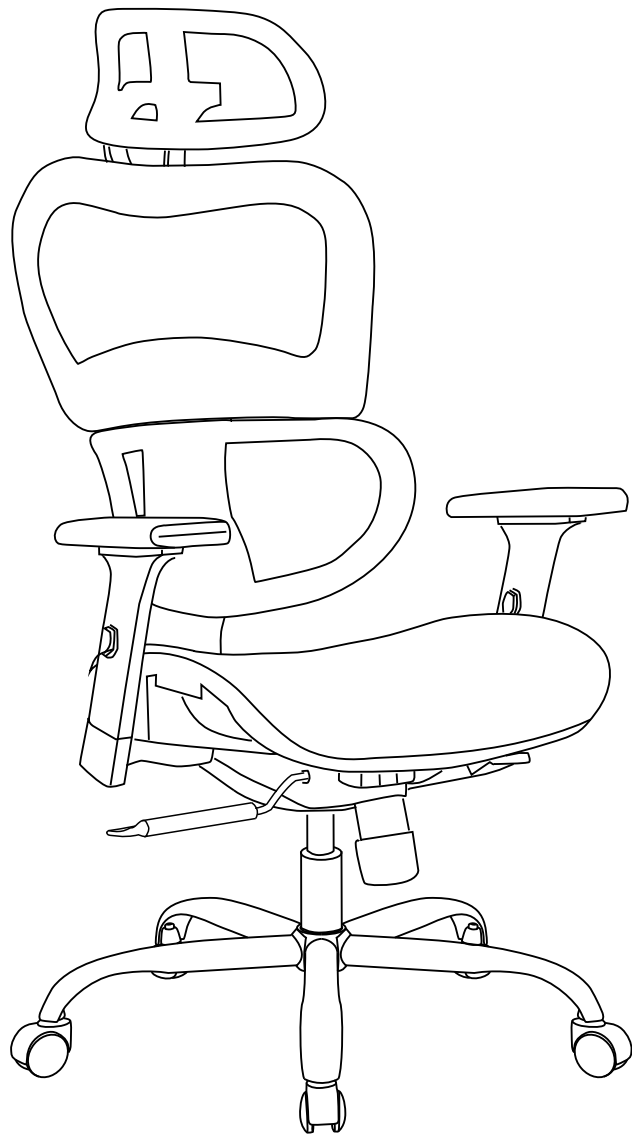
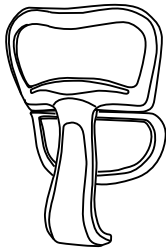



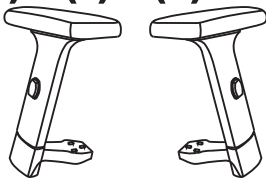

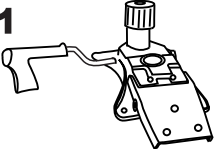

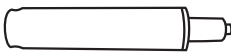








Installation Guide

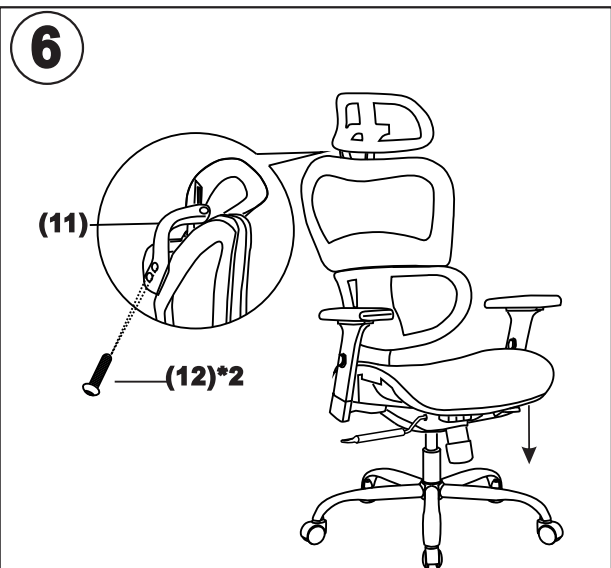
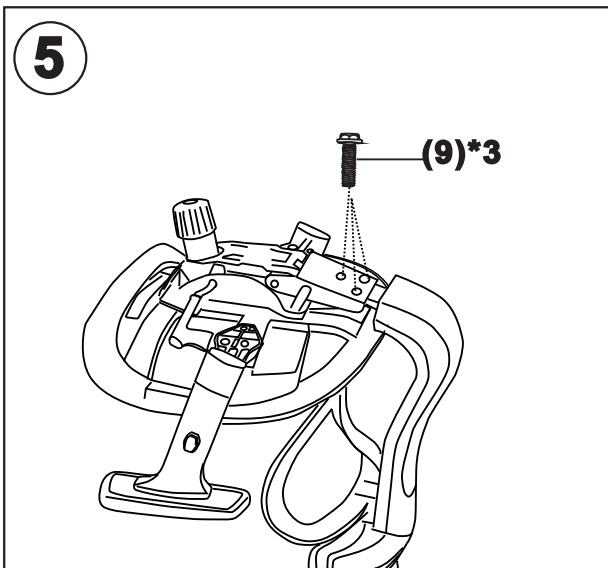
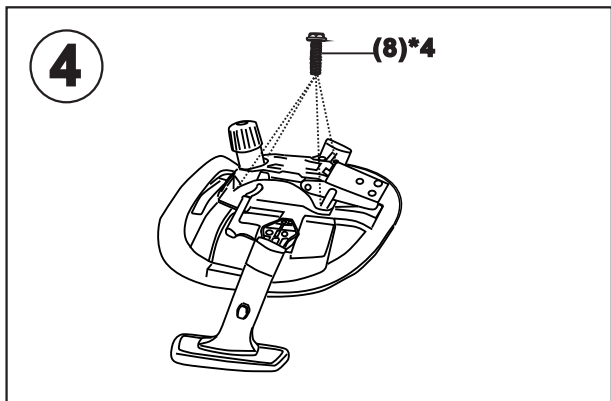
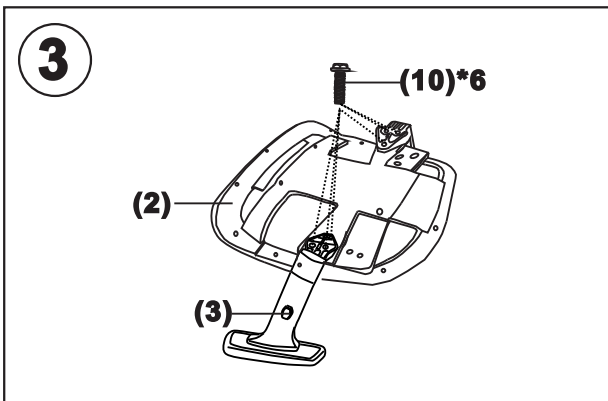
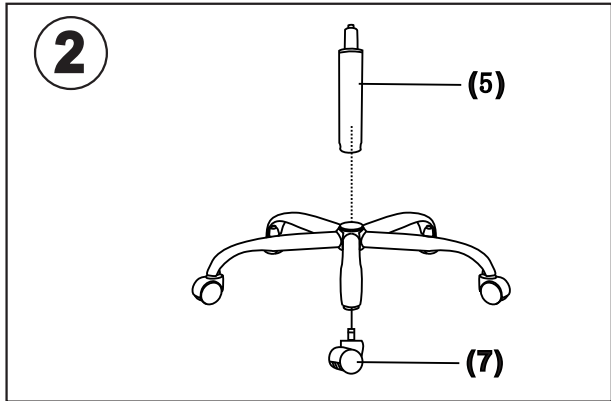
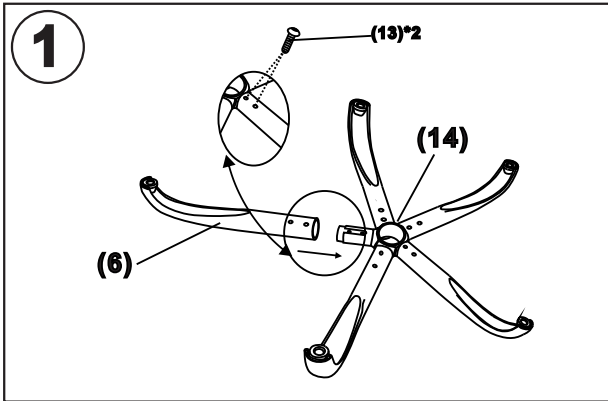


PRODUCT DETAILS\Detallas de Productos\Produktdetails

Parts List\Lista de componente\Teile Liste

| | |
|---|--|
| (1)X1  | (8)X4  |
| (2)X1  | (9)X3  |
| (3)X1(L)X1(R)  | (10)X6  |
| (4)X1  | (11)X1  |
| (5)X1  | (12)X2  |
| (6)X5  | (13)X10  |
| (7)X5  | (14)X1  |
| | (15)X1  |

Installation Guide/Guia de instalación/Installationsanleitung



Function Instruction/Instrucción de Función/Funktionsanweisung

