



8 in. Waterfall Spillway

ITEM #A16575

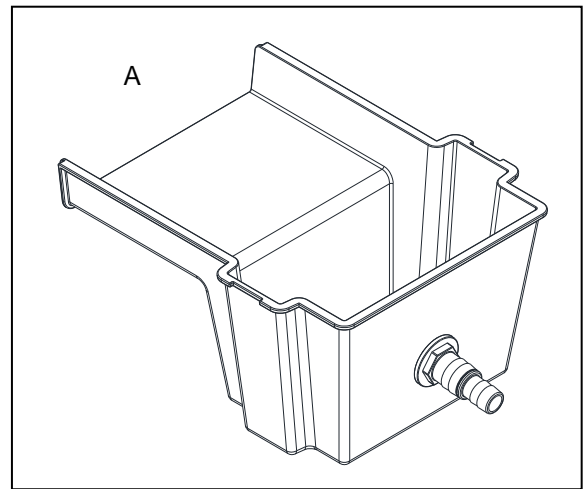
REMINDER
CALL 1-888-412-6001
BEFORE RETURNING TO STORE.



Questions, problems, missing parts? Before returning to your retailer, call our customer service department at 1-888-412-6001, 8 a.m.-6 p.m., EST, Monday-Friday, or email us at customercare@geoglobalpartners.com. Or visit our website www.totalpond.com.

PACKAGE CONTENTS

Part	Description	Quantity
A	8 In. waterfall spillway	1



PREPARATION

Before beginning assembly of product, make sure all parts are present. Compare parts with package contents list and diagram above. If any part is missing or damaged, do not attempt to assemble, install or operate the product. Contact customer service for replacement parts.

- Estimated Assembly Time: 30 minutes
- Tools required for assembly: Hacksaw, carpenter's level, philipshead screwdriver.

PRODUCT DESCRIPTION

Waterfall spillway is specifically design to easily add a beautiful waterfall to any pond or create a disappearing water feature .When water back into pond likes a beautiful waterfall, it will help to aerate the water. This waterfall spillway is designed to work with a water pump that can circulate of 560 to 2000 gallons per hour.

ASSEMBLY INSTRUCTIONS

1. The adapters included can connect to 3/4 in. or 1 in. tubing. For maximum water flow, it is recommended that the largest tubing size for your pump is used. If using 3/4 in. ID tubing, proceed to step 2. If using 1 in. ID tubing, cut the adapter as shown using a hacksaw. Fig. 1

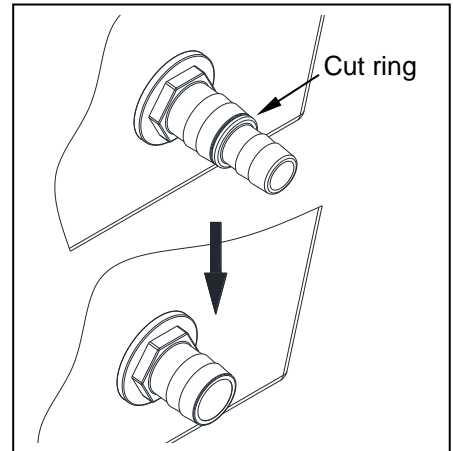


Fig. 1

2. Choose a location for your waterfall spillway, consider your view from indoors and outdoors. Measure out the distance and height of where you would like the waterfall to be relative to the edge of your pond. The important thing to remember is that all the water coming out of the waterfall spillway must stay within the pond liner to avoid water loss. Fig. 2

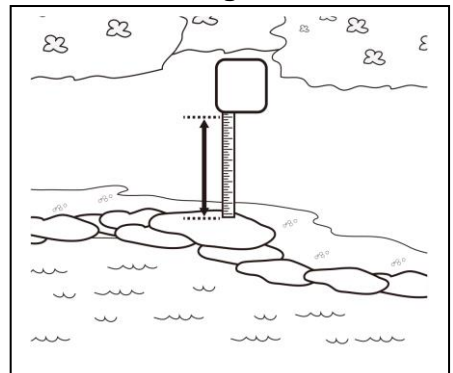


Fig. 2

3. Place the waterfall spillway in the place that you prepared for it and check that it is level before burying. Fig. 3

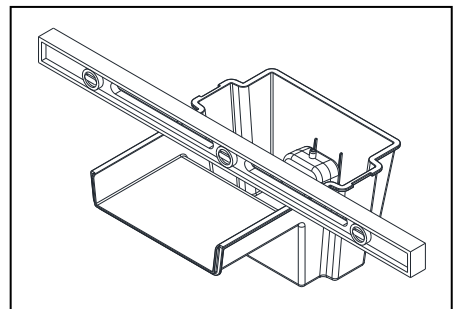


Fig. 3

4. Connect tubing to the outlet adapter, then use hose clamp hold it tight. Connect other side to your pump, and use hose clamp hold it tight too. Once the tubing is securely connected, place the pump inside you pond. Carefully cover the waterfall spillway and tubing with natural material for a professional look. Fig. 4

NOTE: Tubing, hose clamp, and pump are NOT INCLUDED.

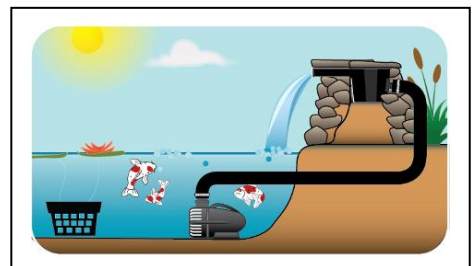


Fig. 4

5. Connect pump to a proper power source. Fig. 5

NOTE: Pump is NOT INCLUDED.

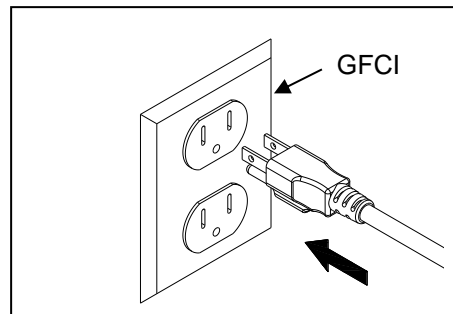


Fig. 5

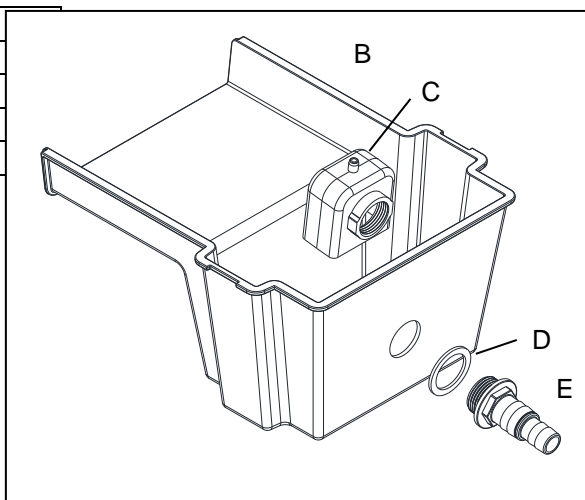
CARE AND MAINTENANCE

- Before cleaning, always disconnect the pump connect to this waterfall spillway from the power source.
- Occasional cleaning of the inside surfaces of the waterfall spillway will be necessary to ensure the proper functioning of the system.
- When cleaning use warm water only. Do not use any chemicals that may destroy the beneficial bacteria.
- The inside surfaces of the waterfall spillway contain the beneficial bacteria. At least once a year the entire system should be cleaned thoroughly using warm, soapy water (mild detergent). This should not be done during the warm season as it may take up to 8 weeks to re-establish the environmental balance. The best time of the year to “breakdown” your system is in early spring before the water temperatures begin to rise.

REPLACEMENT PARTS LIST

For replacement parts, call our customer service department at 1-888-412-6001, 8 a.m.-6 p.m., EST, Monday-Friday.

Part	Description
B	Tank
C	Diverter
D	Gasket
E	Adapter



LIMITED WARRANTY

All pumps and electrical products are warranted to the user against defective material and workmanship, under normal working conditions. This warranty period begins on the date of purchase by the original purchaser.

TotalPond® pond and waterfall pumps are warranted to the user against defective material and workmanship, under normal working conditions for 2 years from the date of purchase. All other TotalPond® electrical products are warranted to the user against defective material and workmanship, under normal working conditions for 1 year from the date of purchase. All TotalPond® liners are warranted to the user against defective workmanship, under normal working conditions for 20 years from the date of purchase. All other TotalPond® product is warranted to the user against defective material and workmanship, under normal working conditions for 90 days.

Application

Warranty covers only properly installed and maintained units. Any damage to the cord or modification to the unit will invalidate the warranty. Pump warranty is limited to applications pumping fresh water in a pond or fountain only. Other liquid applications or extreme temperature uses must be approved in writing by the manufacturer. Receipt and product date code are required for warranty claims.

Warranty Claim

Warranty claims must be made by calling customer service (at 1-888-412-6001). If the item is determined to be defective, you will be given authorization to return the defective part(s), freight pre-paid, along with proof of purchase.

Disposition

The manufacturer will make a good faith effort for prompt disposition regarding all warranty claims. Returned product will be inspected to determine cause of failure before warranty is applied. Warranty does not cover any costs associated with the shipping, handling, installation or removal of products or parts subject to this warranty. For products damaged in transit, a claim should be filed with the carrier.

Disclaimer

Any oral statements made about the product by the seller, the manufacturer, the representatives, or any other parties do not constitute warranties, should not be relied upon by the user, and are not part of the contract for sale. The seller's and manufacturer's only obligation, and buyer's only remedy shall be for the manufacturer to either replace and/or repair at the manufacturer's sole discretion, the product as described above. Neither seller nor the manufacturer shall be liable for injury, loss or damages for lost profits, lost sales, injury to person or property, or any other incidental or consequential loss arising from any cause whatsoever, no matter whether based upon warranty, contract, negligence or other misuse, and the buyer and user agree that no other remedy shall be available to them. Before using, the buyer and user shall determine the suitability of the product for the intended use, and assume all risk and liability whatsoever in connection therewith. The warranty and remedy described in this limited warranty is an exclusive warranty and remedy in lieu of any other warranty or remedy expressed or implied. All other warranties and remedies are hereby expressly excluded, including but not limited to any implied warranty of merchantability of fitness for any particular purpose. This warranty gives the buyer and user specific legal rights, and buyer and user may also have other rights which vary from state to state. Some states do not allow exclusions or limitations of incidental or consequential damages, so the above limitations or exclusions may not apply to you.

REMINDER
CALL 1-888-412-6001
BEFORE RETURNING TO STORE