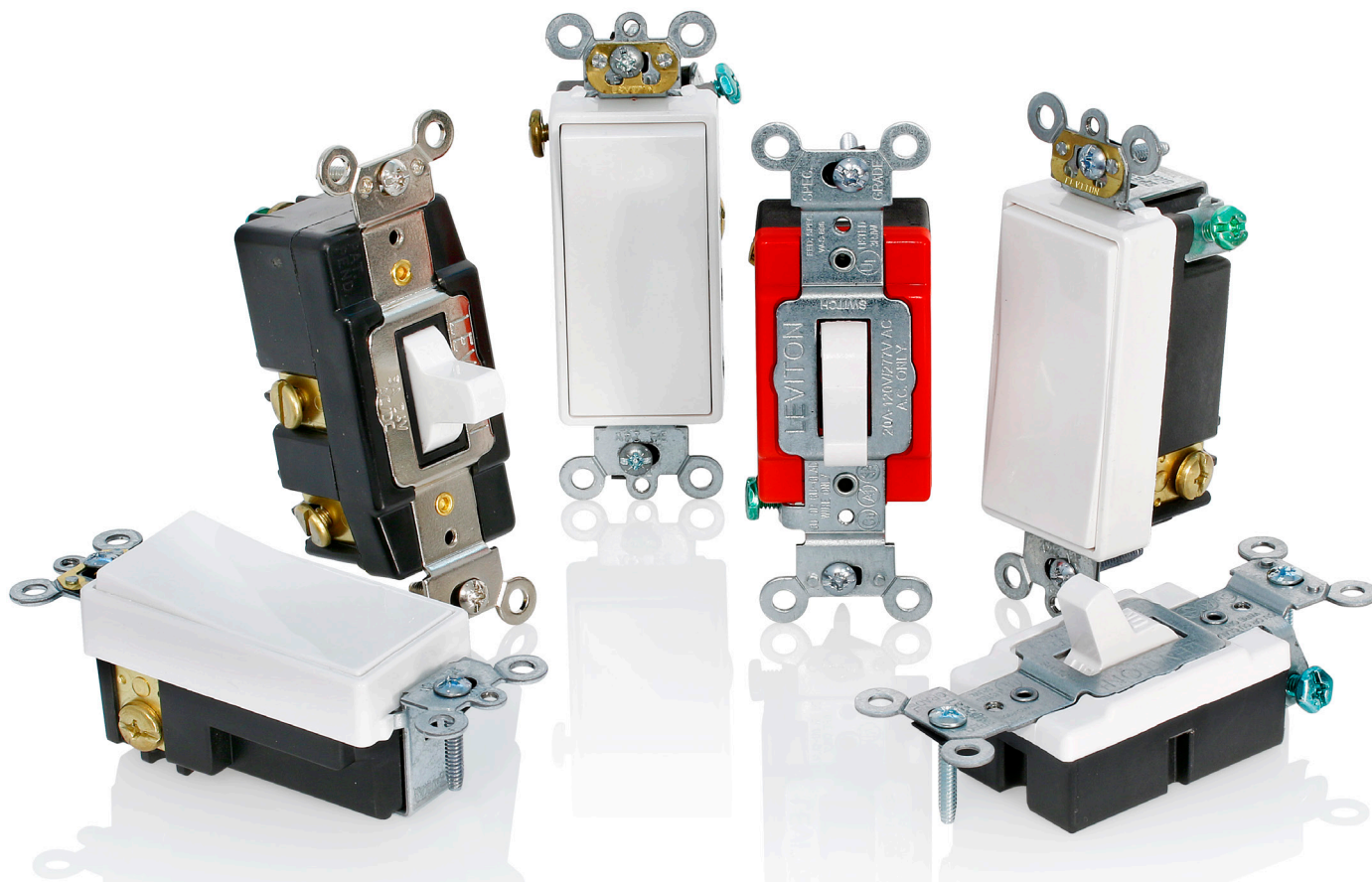


Industrial and Commercial Grade Low-Voltage AC/DC Switches

Standard and Momentary-Contact Versions
for Use in Today's Lighting and Energy Control Systems.



The Leviton offering of commercial and industrial grade low voltage (24V AC/DC) switches are perfect for use in locations where it is important to maintain the look and feel of conventional AC Switches.

Switch Features:

- 3 Amp, 24 Volt AC/DC
- Available in SPST or Momentary Contact SPST and SPDT (Center-Off) versions
- Standard Toggle or Decora Plus™ rocker to match existing décor
- 10-year limited warranty
- Available in popular commercial colors (Ivory, White, Gray, Brown, Red, Light Almond & Black)

Switch Features



Cat No. 56081-2W

Triple-drive combination mounting screws (straight slot, Phillips and Robertson head)

Decora Plus™ Switches have concave rockers that present a low profile



Cat No. 56021-2I

One-piece wrap-around heavy gauge steel strap incorporates locking tabs for extra strength

Decora Plus™ Switches feature back and side wiring terminals and accept both stranded and solid conductors

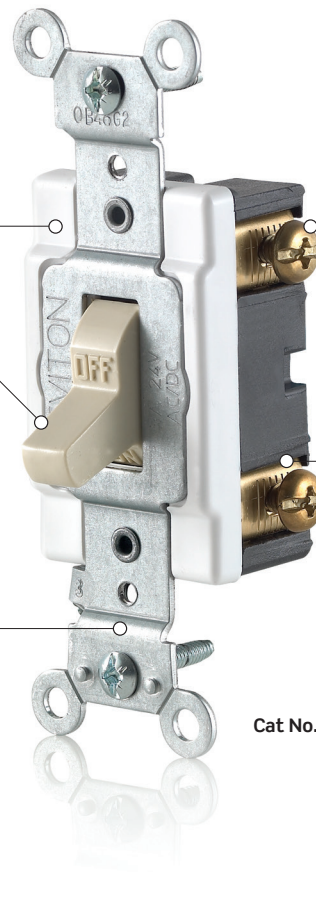


Cat No. 1081-W

Fully enclosed switch mechanism in rugged thermoplastic housing for strength, tracking and arc resistance

Toggle has high-impact strength and withstands elevated operating temperatures

Heavy gauge, anti-corrosive mounting strap



Cat No. 12021-2I

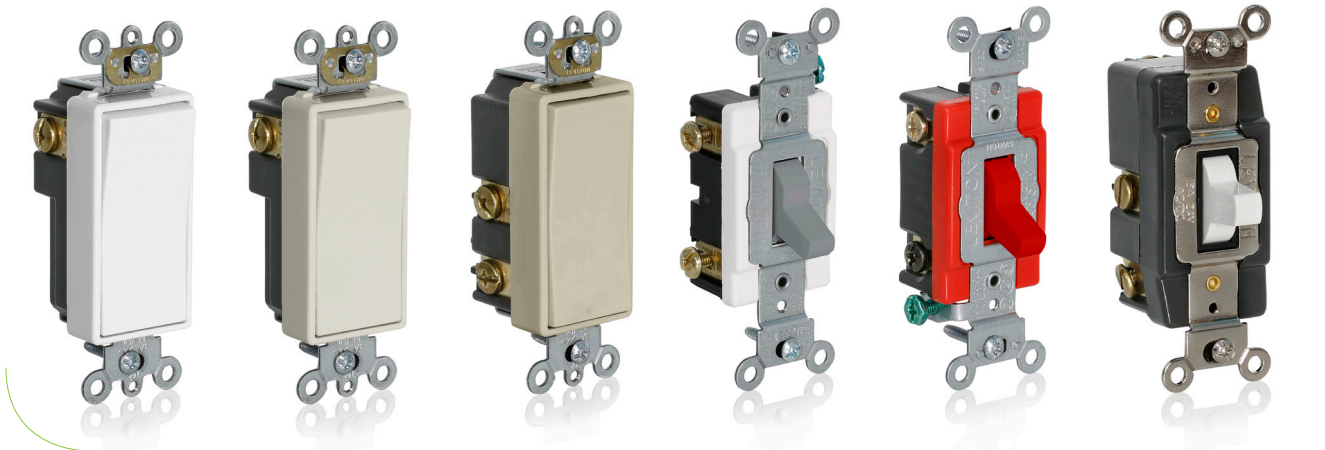
Large head, brass screws for speedy wiring and installation

External clamp-type terminal provides secure connection for back and side wiring

Specifications

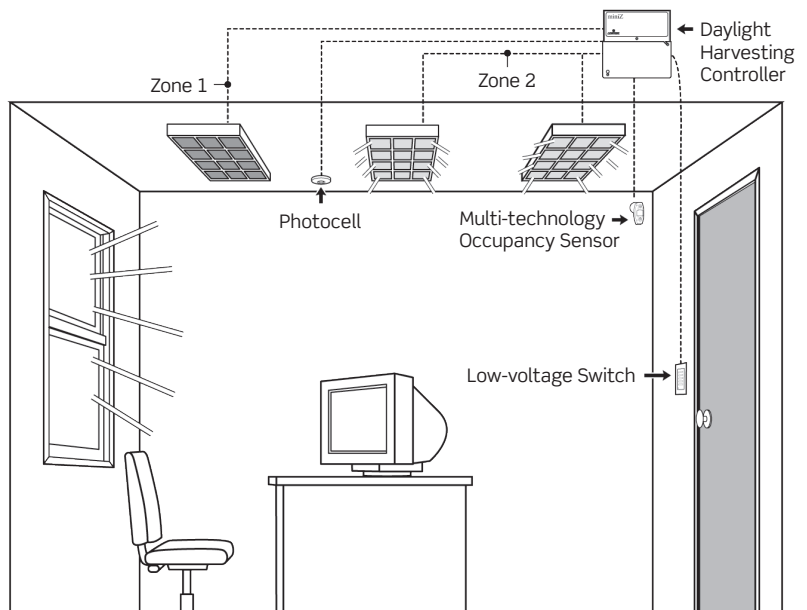
Electrical Specifications	
Maximum Working Voltage	24V AC or DC
Material Specifications	
Base Material	Polyester
Cover Material	Polyester (Cat No 1081) or Nylon (Cat No 12021-2)
Contacts	Silver-Alloy
Terminal Screws	Brass
Frame Material (56081-2 and 56021-2)	Polycarbonate
Toggle	Nylon (Cat No 1081) or Polycarbonate (Cat No 12021-2)
Rocker	Polycarbonate
Mechanical Specifications	
Product Identification	Ratings are permanently marked on device
Environmental Specifications	
Flammability	UL 94V-2
Operating Temperature	-40 °C to 65 °C

Available in popular commercial colors



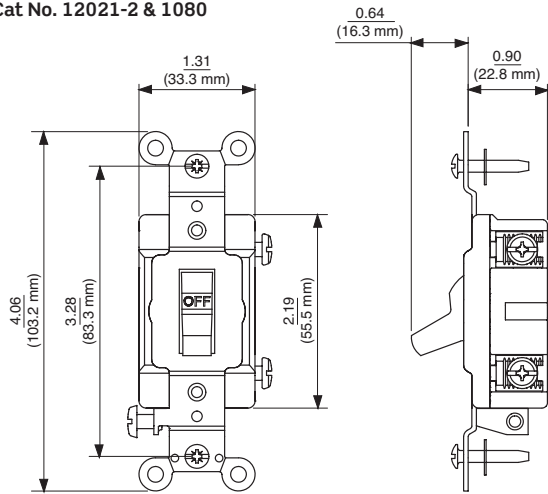
Daylight Harvesting System

A common application for low-voltage switches is as a manual override for relay driven systems, such as daylight harvesting systems or other lighting control applications as shown at right.

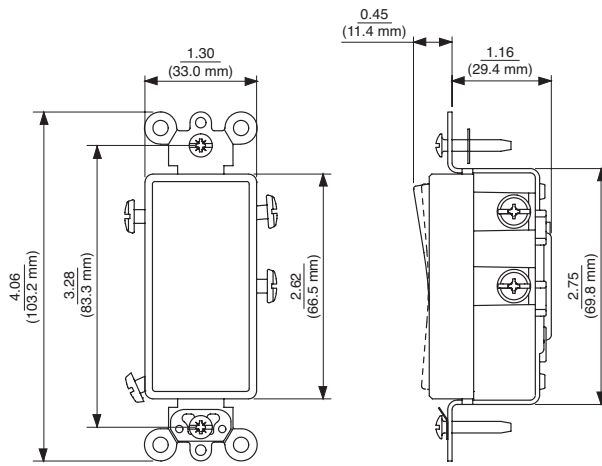


Dimensions

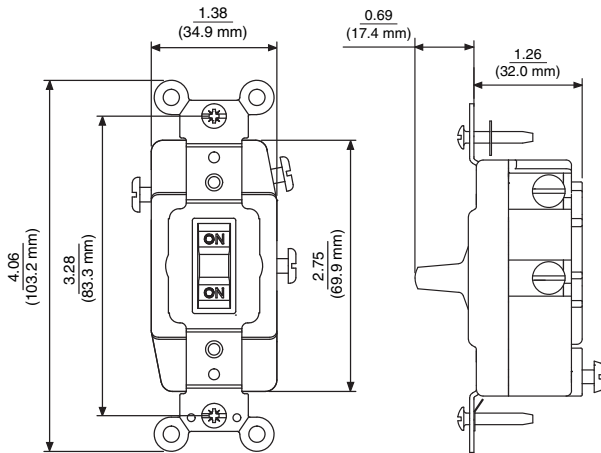
Cat No. 12021-2 & 1080



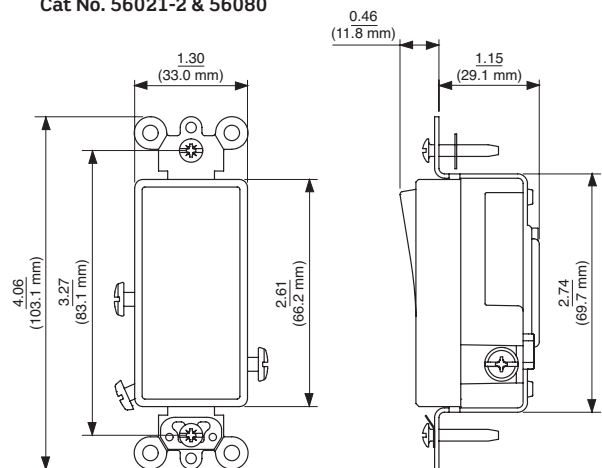
Cat No. 56081-2



Cat No. 1081



Cat No. 56021-2 & 56080



Ordering Information

	Color	Toggle	Decora Plus™ Rocker
Momentary Contact (SPDT Center-off)	Ivory	1081-I	56081-2I
	White	1081-W	56081-2W
	Gray	1081-GY	56081-2GY
	Red	1081-R	56081-2R
	Brown	—	56081-2
Momentary Contact SPST	Ivory	1080-I	56080-2I
	White	1080-W	56080-2W
	Gray	1080-GY	—
	Red	1080-R	—
	Black	—	56080-2E
	Lt. Almond	—	56080-2T
Standard SPST	Ivory	12021-2I	56021-2I
	White	12021-2W	56021-2W
	Black	—	56021-2E

Visit our Website at:
www.leviton.com/industrial
 email: industrial@leviton.com

Q-317A

072816

Leviton Manufacturing Co., Inc.

201 N Service Rd, Melville, NY 11747
 Telephone: 1-800-323-8920 • FAX: 1-800-832-9538
 Tech Line (8:30AM-7:30PM E.S.T. Monday-Friday): 1-800-824-3005

© 2016 Leviton Manufacturing Co., Inc. All rights reserved.

