

# Warranty

This KOOLATRON product is warranted to the retail customer for 90 days from date of retail purchase, against defects in material and workmanship.

## WHAT IS COVERED

- Replacement parts and labour.
- Transportation charges to customer for the repaired product.

## WHAT IS NOT COVERED

- Damage caused by abuse, accident, misuse, or neglect.
- Transportation of the unit or component from the customer to Koolatron.

## IMPLIED WARRANTIES

Any implied warranties, including the implied warranty of merchantability are also limited to the duration of 90 days from the date of retail purchase.

## WARRANTY REGISTRATION

Register on-line at [www.koolatron.com](http://www.koolatron.com) AND keep the original, dated, sales receipt with this manual.

## WARRANTY AND SERVICE PROCEDURE

If you have a problem with your unit, or require replacement parts, please telephone the following number for assistance:

**North America 1-800-265-8456**

The Service Advisors will advise you on the best course of action. Koolatron has Master Service Centres at these locations:

### U.S.A.

4330 Commerce Dr.  
Batavia, NY 14020-4102 U.S.A.

### Canada

139 Copernicus Blvd.  
Brantford, ON N3P 1N4

A Koolatron Master Service Centre must perform all warranty work.



[www.koolatron.com](http://www.koolatron.com)

©2015 Koolatron, Inc. All rights reserved.  
All specifications are subject to change without notice.

Made in China

H1S191

09/2015-v1



## Tool Chest Fridge



KTCF50  
User Manual

*Please Read These Instructions Carefully Before Use!*

## SAFETY PRECAUTIONS

Read all of the instructions before using this appliance. When using this appliance, always exercise basic safety precautions, including the following:

*NOTE: If the refrigerator has been placed in a horizontal or tilted position for any period of time wait 24 hours before plugging the unit in.*

- 1) Use this appliance only for its intended purpose as described in this use and care guide.
- 2) This refrigerator must be properly installed in accordance with the installation instructions before it is used. See grounding instructions in the installation section.
- 3) Never unplug your refrigerator by pulling on the power cord. Always grasp the plug firmly and pull straight out from the outlet.
- 4) Immediately repair or replace all electric service cords that become frayed or otherwise damaged. Do not use a cord that shows cracks or abrasion damage along its length, the plug or the connector end.
- 5) Unplug your refrigerator before cleaning or before making any repairs. Note: If for any reason this product requires service, we strongly recommend that a certified technician performs the service.
- 6) If your old refrigerator is not being used, we recommend that you remove the doors and leave the shelves in place. This will reduce the possibility of danger to children.
- 7) This fridge should not be recessed or built-in to an enclosed cabinet. It is designed for freestanding installation only.
- 8) Do not operate your refrigerator in the presence of explosive fumes.

### **DANGER! RISK OF CHILD ENTRAPMENT**

### **PROPER DISPOSAL OF THIS REFRIGERATOR**

Child entrapment and suffocation are a problem with abandoned refrigerators. If you are getting rid of your old refrigerator, please follow these instructions to help prevent accidents. Take off the door, but leave the shelves in place so that children may not easily climb inside.

## Installing Your Refrigerator

### **Unpacking Your Refrigerator**

1. Remove all packaging material. This includes the foam base and all adhesive tape holding the refrigerator accessories inside and outside.
2. Inspect and remove any remains of packing, tape or printed materials before powering on the refrigerator.

### **Proper Air Circulation**

- To ensure your refrigerator works at the maximum efficiency it was designed for, you should install it in a location where there is proper air circulation, plumbing and electrical connections.
- The following are recommended clearances around the refrigerator:

Sides.....3/4" (19mm)  
Top.....2" (50mm)  
Back.....2" (50mm)

### **Electrical Requirement**

- Make sure there is a suitable power outlet (115 volts, 15 amps outlet) with proper grounding to power the refrigerator.
- Avoid the use of three prong adapters or cutting off the third grounding prong in order to accommodate a two prong outlet. This is a dangerous practice since it provides no effective grounding for the refrigerator and may result in shock hazard.

### **Use of Extension Cords**

- Avoid the use of an extension cord because of potential safety hazards under certain conditions. If it is necessary to use an extension cord, use only a 3-wire extension cord that has a 3-blade grounding plug and a 3-slot outlet that will accept the plug. The marked rating of the extension cord must be equal to or greater than the electrical rating of the appliance.

### **Installation Limitations**

- Do not install your refrigerator in any location not properly insulated, this refrigerator was not designed to operate in temperature settings below 55° Fahrenheit.
- Select a suitable location for the refrigerator on a hard even surface away from direct sunlight or heat source, e.g. radiators, baseboard heaters, cooking appliances, etc. Any floor unevenness should be corrected with the leveling legs located on the front bottom corners of the refrigerator.

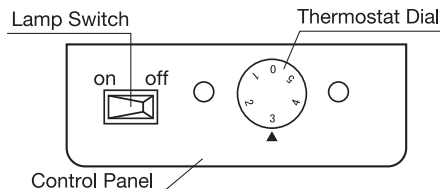
## Features And Use

### GENERAL FEATURES

#### Adjustable temperature dial

Your refrigerator will automatically maintain the temperature level you select. The temperature control dial has 5 settings plus "0". 1 is the warmest. 5 is the coldest. At first, set the dial to 3 and allow 24 hours to pass before adjusting the temperature to your needs.

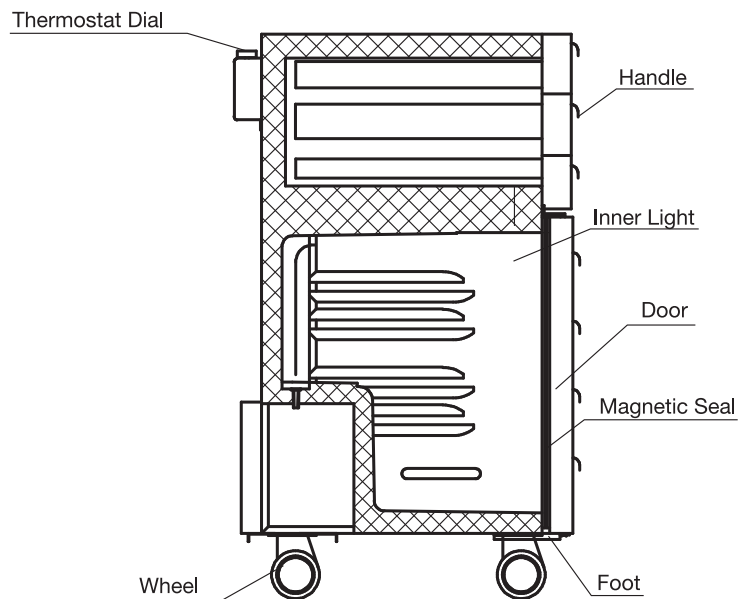
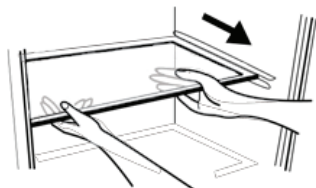
NOTE: If the refrigerator has been placed in a horizontal or tilted position for any period of time wait 24 hours before plugging in the unit.



#### Refrigerator Interior Shelves

To remove or replace a full-width slide-out shelf:

1. Gently tilt the shelf up and slide forward until the shelf has been completely removed.
2. To replace the shelf, gently slide the shelf back.



## Proper Refrigerator Care and Cleaning

### CLEANING AND MAINTENANCE

#### WARNING

To avoid electric shock, always unplug your refrigerator before cleaning. Ignoring this warning may result in death or injury.

#### CAUTION

Before using cleaning products, always read and follow manufacturer's instructions and warnings to avoid personal injury or product damage.

#### GENERAL

Prepare a cleaning solution of 3-4 tablespoons of baking soda mixed with warm water. Use sponge or soft cloth, dampened with the cleaning solution, to wipe down your refrigerator.

- Rinse with clean warm water and dry with a soft cloth.
- Do not use harsh chemicals, abrasives, ammonia, chlorine bleach, concentrated detergents, solvents or metal scouring pads. Some of these chemicals may dissolve, damage and/ or discolor your refrigerator.

#### DOOR GASKETS

Clean door gaskets every three months according to general instructions. Gaskets must be kept clean and pliable to assure a proper seal.

- Petroleum jelly applied lightly on the hinge side of gaskets will keep the gasket pliable and ensure a good seal.

#### POWER INTERRUPTIONS

- Occasionally there may be power interruptions due to thunderstorms or other causes. Remove the power cord from AC outlet when a power outage occurs. When power has been restored, replug power cord to AC outlet. If outage is for a prolonged period, inspect and discard spoiled food in refrigerator. Clean refrigerator before reusing.

#### VACATION AND MOVING CARE

- For long vacations or absences, empty food from refrigerator, move the temperature dial to the "0" position and clean the refrigerator and door gaskets according to "General Cleaning" section. Prop doors open, so air can circulate inside. When moving, always move the refrigerator vertically. Do not move with the unit lying down. Possible damage to the sealed system could occur.

#### ENERGY SAVING TIPS

- The refrigerator should be located in the coolest area of the room, away from heat-producing appliances or heating ducts, and out of direct sunlight.
- Let hot foods cool to room temperature before placing in the refrigerator. Overloading the refrigerator forces the compressor to run longer and thus increases energy consumption. Foods that refrigerate too slowly may lose quality or spoil.
- Be sure to wrap foods properly, and wipe containers dry before placing in the refrigerator.
- The wire shelves should not be lined with aluminum foil, wax paper, or paper towels. Liners interfere with cold air circulation, making the refrigerator less efficient.
- Organize food to reduce door openings and extended searches. Remove as many items as needed at one time, and close the door as soon as possible.

## TROUBLESHOOTING

You can solve many common Kool Compact Fridge problems easily, saving you the cost of a possible service call. Try the suggestions below to see if you can solve the problem before calling for service.

### TROUBLESHOOTING GUIDE

#### REFRIGERATOR DOES NOT OPERATE

- Check if thermostat control is not in the “0” position.
- Check if refrigerator is plugged in.
- Check if there is power at the AC outlet by checking the circuit breaker.

#### FOOD TEMPERATURE APPEARS TOO WARM

- Frequent door openings.
- Allow time for recently added warm food to reach fresh food temperature.
- Check gaskets for proper seal.
- Adjust temperature control to colder setting.

#### FOOD TEMPERATURE IS TOO COLD

- If temperature control setting is too cold, adjust to a warmer setting and allow several hours for temperature to adjust.

#### REFRIGERATOR RUNS TOO FREQUENTLY

- This may be normal to maintain constant temperature during high temperature and humid days.
- Doors may have been opened frequently or for an extended period of time.
- Check gasket for proper seal.
- Check to see if doors are completely closed.

#### MOISTURE BUILD UP ON INTERIOR OR EXTERIOR OF THE REFRIGERATOR

- This is normal during high humidity periods.
- Prolonged or frequent door openings.
- Check door gaskets for proper seal.

#### REFRIGERATOR HAS AN ODOR

- Interior needs cleaning.
- Foods improperly wrapped or sealed are giving off odors.

#### REFRIGERATOR DOOR DOES NOT SHUT PROPERLY

- Level the refrigerator.
- Re-align refrigerator door.
- Check for blockages, e.g. food containers, shelves, etc.

#### POPPING OR CRACKING SOUND WHEN THE COMPRESSOR COMES ON

- Check to ensure the refrigerator is level.
- The floor may be uneven or weak. The refrigerator rocks on the floor when it is moved slightly. Be sure the floor can adequately support the refrigerator. Level the refrigerator by putting wood or metal shims under part of the refrigerator.
- The refrigerator is touching the wall. re-level the refrigerator and move it from the wall. See the “Installing Your Refrigerator” section.

#### TECHNICAL SPECIFICATIONS

For detailed specifications, please refer to the nameplate at the back of the Kool Tool Chest Fridge. The specifications are subject to change without prior notice due to products improvement.

## Food Storage Information

### FRESH FOOD

- When storing fresh food that is not prepackaged, be sure to wrap or store food in airtight and moisture proof material unless otherwise noted. This will ensure proper shelf life and prevent the transfer of odors and tastes.
- Wipe containers before storing to avoid needless spills.
- Eggs should be stored in an upright position in their original carton to maximize shelf life.
- Fruit should be washed and dried, then stored in sealed plastic bags before storing in the refrigerator.
- Vegetables with skins should be stored in plastic bags or containers.
- Leafy vegetables should be washed and drained and then stored in plastic bags or containers.
- Hot food should be allowed to cool before storing in the refrigeration. This will prevent unnecessary energy use.
- Fresh seafood should be used the same day as purchased.
- When storing meats in the fresh food section, keep in the original packaging or rewrap as necessary. Follow the suggestions below for safe storage:

- Chicken 1-2 Days

- Ground Beef 1-2 Days

- Cold Cuts 3-5 Days

- Steaks/Roasts 3-5 Days

- Smoked/Cured Meats 7-10 Days

- All others 1-2 Days

### Normal Operating Sounds You May Hear

- Boiling water, gurgling sounds or slight vibrations that are the result of the refrigerant circulating through the cooling coils.
- The thermostat control will click when it cycles on and off.