

PRODUCT DATA SHEET



Definite Purpose Contactor



ANSI/UL 508 Recognized component

UL File : E486769

Mechanical Data

Contact Termination:

40 FLA (Full Load Ampere) Models

Type: Box Lug with dual 0.250" (6.35mm) quick connects

Wire Size: 14-4 Cu/Al AWG

Tightening Torque: 40 in.- lbs.

NOTE: Contactor with terminals of two-piece design are shipped with terminal screws left "up" to facilitate customer wiring. The customer must tighten the screws to the specified torque to achieve a reliable electric connection.

Contact Ratings

| FULL LOAD AMPS | NUMBER OF POLES | LINE VOLTAGE | LOCKED ROTOR AMPS | RESISTIVE AMPS RATING | MAXIMUM HORSEPOWER | | |
|----------------|-----------------|--------------|-------------------|-----------------------|--------------------|--------------|-------------|
| | | | | | VOLTAGE | SINGLE PHASE | THREE PHASE |
| 40 | 3 | 240/277 | 240 | 50 | 110/120 | 3 | - |
| | | 480 | 200 | 50 | 200/208 | - | 10 |
| | | 600 | 160 | 50 | 240/277 | 7.5 | 10 |
| | | | | | 480 | - | 20 |
| | | | | | 600 | - | 25 |

Coil Data

| | 3-POLE MODELS | | | | | |
|----------------------------|---------------|-------|---------|--------|-----|---------|
| Nominal Coil Voltage | 24 | 120 | 208/240 | 277 | 380 | 480 |
| Maximum Pickup Volts | 18 | 88 | 177 | 220 | - | 384 |
| Drop-Out Volts Range | 6-15 | 20-70 | 40-140 | 65-185 | - | 150-270 |
| Nominal Inrush VA@50 Hz | 60 | 60 | 60 | 60 | - | 65 |
| Nominal Inrush VA@60 Hz | 53 | 53 | 53 | 53 | - | 53 |
| Nominal Sealed VA@50 Hz | 6.0 | 6.0 | 6.0 | 6.0 | - | 6.0 |
| Nominal Sealed VA@60 Hz | 5 | 5 | 5 | 5 | - | 5 |
| Nominal DC Resistance-Ohms | 7 | 180 | 720 | 950 | - | 3100 |

Warranty: All Products sold by BRAH Electric are guaranteed to be free of defect for a period of two years, under the condition that the product has been installed and operated properly. All items proven defective within the two year period will be replaced by BRAH Electric. We are not responsible for any consequential losses or damages outside of defective product as well as any replacements or repairs performed by another party without a written authorization from BRAH Electric.

ELITE SERIES

PART NUMBER – BDP3P40AXX(X)V

BRAH Electric UL approved, Definite purpose contactor, type BDP, Three phase, 3 Pole, 40 amp, Lug style terminal connection, complete with AC 50/60Hz coil; auxiliary contacts and selector switches sold separately.

PART NUMBER LEGEND

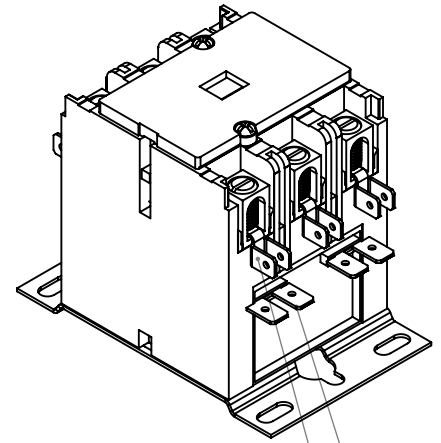
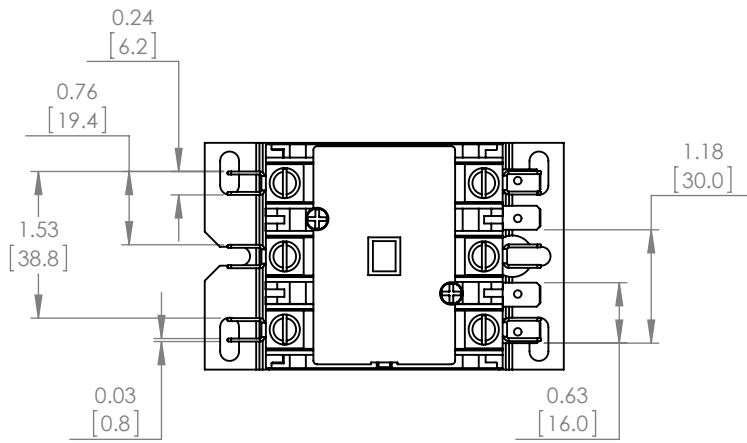
BDP3P40AXX(X)V

| XX(X) V – Represents coil Voltage Rating |
|--|
| 24 V |
| 120 V |
| 240 V |
| 277 V |
| 380 V |
| 480 V |

(i.e. BDP3P40A120V)

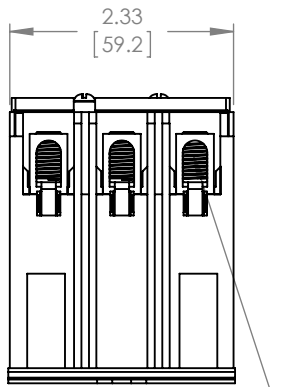
PRODUCT DIMENSIONS

| REVISIONS | | | | |
|-----------|------|-------------|------|----------|
| ZONE | REV. | DESCRIPTION | DATE | APPROVED |

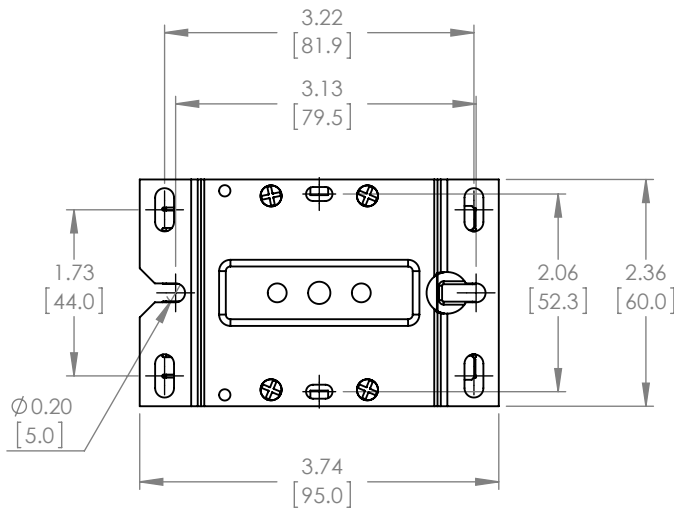
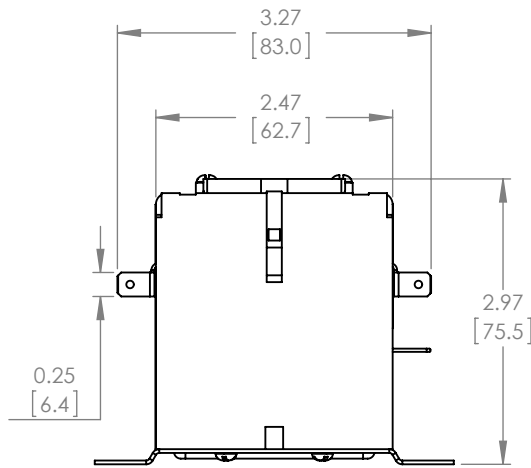


POWER TERMINALS

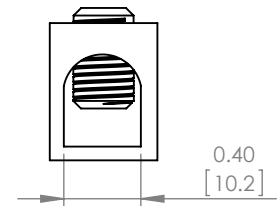
COIL TERMINALS



WIRE TERMINALS



Termination



Standard on 40 FLA
Lug accepts 14-4
Cu/Al AWG

THIRD ANGLE PROJECTION

PROPRIETARY AND CONFIDENTIAL
THE INFORMATION CONTAINED IN THIS DRAWING IS THE SOLE PROPERTY OF BRAH ELECTRIC. ANY REPRODUCTION IN PART OR AS A WHOLE WITHOUT THE WRITTEN PERMISSION OF BRAH ELECTRIC IS PROHIBITED.

UNLESS OTHERWISE NOTED
ALL DIMENSIONS ARE IN INCHES
METRIC UNITS ARE DISPLAYED
BENEATH IN [MM.]

| | |
|----------------------|---------------------|
| MATERIAL | MOLDED PLASTIC CASE |
| FINISH | N/A |
| DO NOT SCALE DRAWING | |



DEFINITE PURPOSE CONTACTOR

| | | |
|------------|----------------|--------------|
| SIZE | DWG. NO. | REV. |
| A | BDP3P40AXX(X)V | A |
| SCALE: 1:2 | WEIGHT: | SHEET 1 OF 1 |