



Owners Manual



TrueCoat 360

ELECTRIC AIRLESS SPRAYER

333394R

EN

Project Series Paint Sprayers

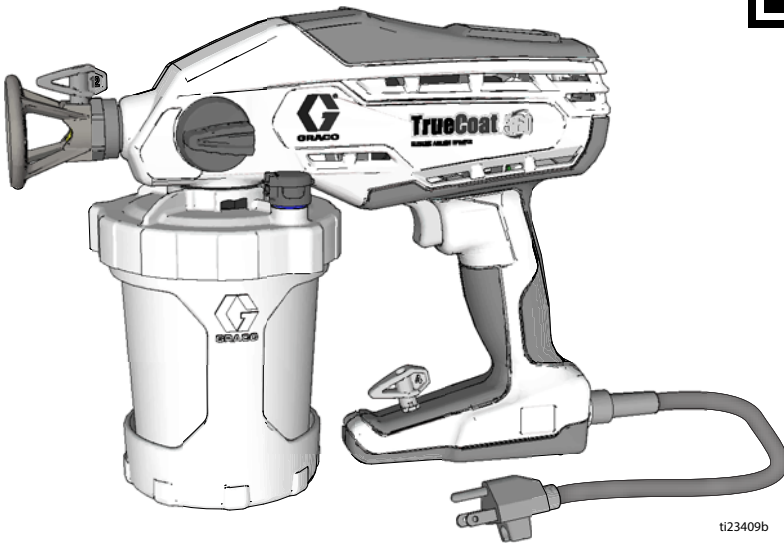


Important Safety Instructions

Read all warnings and instructions in this manual and on the unit, including the power cord. Be familiar with the controls and the proper usage of the equipment. Save these instructions.



Scan QR code or click on link for



t123409b

⚠ WARNING

To avoid fire and explosion, use only non-flammable or water-based materials, or non-flammable paint thinners. Do not use materials which state "FLAMMABLE" on the packaging. For more information about your material, request SDS from distributor or retailer.

Use oil based materials outdoors or in a well-ventilated area with a flow of fresh air.

Have a Question?

Call toll-free:

1-888-541-9788

Or visit us at:

www.magnum.graco.com/support

t124021a

For portable spray applications of water-based and oil-based non-flammable architectural paints and coatings only.

For Household Use Only.

Not approved for use in explosive atmospheres or hazardous locations.

PROVEN QUALITY. LEADING TECHNOLOGY.

Contents

| | |
|---|-----------|
| Important User Information | 3 |
| Important Safety Information | 4 |
| Component Identification | 7 |
| Start Up | 8 |
| Starting a New Job | 8 |
| Refilling FlexLiner | 11 |
| How to Spray | 12 |
| Dual Speed Control | 12 |
| Variable Speed Control | 12 |
| Spray Techniques | 12 |
| Triggering Sprayer | 13 |
| Aiming Sprayer | 13 |
| Spray Pattern Quality | 14 |
| Cleanup | 15 |
| Pressure Relief Procedure | 15 |
| Cleaning Sprayer | 15 |
| Cleaning VacuValve | 18 |
| Storage | 19 |
| Common Procedures | 20 |
| Installing Spray Tips | 20 |
| Unclogging Spray Tip | 21 |
| Flushing a New Sprayer | 22 |
| Notes | 25 |
| Replacement Parts | 26 |
| Models 16Y385, 16Y386, 17A466 | 26 |
| Parts List- Models 16Y385, 16Y386, 17A466 | 27 |
| Replacement Parts | 28 |
| Model 17D889 | 28 |
| Parts List- Model 17D889 | 29 |
| Troubleshooting | 30 |
| Technical Data | 34 |
| Graco Limited Warranty | 35 |

| Model | Name | Voltage | Tip Size | Description | Maximum Working Pressure |
|--------|------------------|---------|----------|------------------------|--|
| 16Y385 | TrueCoat 360 | 120V | 0.015 | Single Speed | 1500 psi (10.3 MPa, 103 bar) |
| 17A466 | TrueCoat 360 DS | 120V | 0.015 | Dual Speed | 900-1500 psi (6.2 MPa, 62 bar - 10.3 MPa, 103 bar) |
| 16Y386 | TrueCoat 360 DSP | 120V | 0.015 | Dual Speed Premium | 900-1500 psi (6.2 MPa, 62 bar - 10.3 MPa, 103 bar) |
| 17D889 | TrueCoat 360 VSP | 120V | 0.015 | Variable Speed Premium | 500-1500 psi (3.5 MPa, 34.5 bar - 10.3 MPa, 103 bar) |



110474
 Certified to CAN/CSA C22.2 No. 68
 Conforms to UL 1450

Important User Information

Thank You for Your Purchase!

Before using your sprayer read this Owners Manual for complete instructions on proper use and safety warnings.

Congratulations! You have purchased a high-quality paint sprayer made by Graco Inc. This sprayer is designed to provide superior spray performance with water-based and oil-based (mineral spirit-type) architectural paints and coatings. This user information is intended to help you understand the types of materials that can be used with your sprayer.

Please read the information on the material container label to determine if it can be used with your sprayer. Ask for a Safety Data Sheet (SDS) from your supplier. The container label and SDS will explain the contents of the material and the specific precautions related to it.

Paints, coatings and clean-up materials generally fit into one of the following **3 basic categories**:



WATER-BASED: The container label should indicate that the material can be cleaned up with soap and water. Your sprayer is compatible with this type of material. Your sprayer is **NOT** compatible with harsh cleaners such as chlorine bleach.



OIL-BASED: The container label should indicate that the material is COMBUSTIBLE and can be cleaned up with mineral spirits or paint thinner. The SDS must indicate that the flash point of the material is above 100° F. Your sprayer is compatible with this type of material. Use oil-based material outdoors or in a well-ventilated indoor area with a flow of fresh air. See the safety warnings in this manual.



FLAMMABLE: This type of material contains flammable solvents such as xylene, toluene, naphtha, MEK, lacquer thinner, acetone, denatured alcohol, and turpentine. The container label should indicate that this material is FLAMMABLE. This type of material is **NOT** compatible with your sprayer and **CANNOT** be used.

Important Safety Information

Important Safety Information

The following warnings are for the setup, use, maintenance, and repair of this equipment. The exclamation point symbol alerts you to a general warning and the hazard symbols refer to procedure-specific risks. When these symbols appear in the body of this manual or on warning labels, refer back to these Warnings. Product-specific hazard symbols and warnings not covered in this section may appear throughout the body of this manual where applicable.

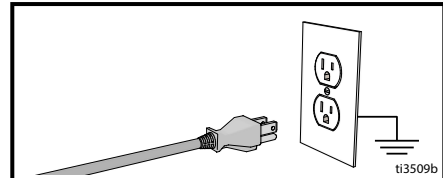
WARNING



GROUNDING INSTRUCTIONS

This product must be grounded. In the event of an electrical short circuit, grounding reduces the risk of electric shock by providing an escape wire for the electric current. This product is equipped with a cord having a grounding wire with an appropriate grounding plug. The plug must be plugged into an outlet that is properly installed and grounded in accordance with all local codes and ordinances.

- Improper installation of the grounding plug is able to result in a risk of electric shock.
- When repair or replacement of the cord or plug is required, do not connect the grounding wire to either flat blade terminal.
- The wire with insulation having an outer surface that is green with or without yellow stripes is the grounding wire.
- Check with a qualified electrician or serviceman when the grounding instructions are not completely understood, or when in doubt as to whether the product is properly grounded.
- Do not modify the plug provided; if it does not fit the outlet, have the proper outlet installed by a qualified electrician.
- This product is for use on a nominal 120V circuit and has a grounding plug similar to the plug illustrated in the figures.
- Only connect the product to an outlet having the same configuration as the plug.
- Do not use an adapter with this product.



WARNING



Extension Cords:

- Use only a 3-wire extension cord that has a grounding plug and a grounding receptacle that accepts the plug on the product.
- An undersized cord results in a drop in line voltage and loss of power and overheating. When in doubt use the next heavier gauge. The smaller the gauge number the heavier the cord.
- When using the sprayer outdoors, use an extension cord suitable for outdoor use.
- Make sure your extension cord is not damaged. When using an extension cord, be sure to use a cord heavy enough to carry the current that your sprayer draws. See chart for appropriate sizes and lengths:

| Extension Cord | | |
|---------------------------|---------------------|---------------|
| Conductor Size | | Length |
| AWG (American Wire Gauge) | Metric | Maximum |
| 18 | 1.0 mm ² | 50 ft (15 m) |
| 16 | 1.5 mm ² | 100 ft (30 m) |
| 14 | 2.5 mm ² | 200 ft (61 m) |

Important Safety Information

WARNING



FIRE AND EXPLOSION HAZARD



Flammable fumes, such as solvent and paint fumes, in work area can ignite or explode. To help prevent fire and explosion:



- Sprayer generates sparks. Do not spray or flush with flammable liquids.
- Use only non-flammable or water-based materials, or non-flammable paint thinners.
- Keep spray area well-ventilated. Keep a good supply of fresh air moving through the area.



- When spraying oil-based material, use outdoors or in a well-ventilated indoor area with a flow of fresh air.
- Do not spray or flush with combustible materials near an open flame or sources of ignition.
- Paint or solvent flowing through the equipment is able to result in static electricity. Static electricity creates a risk of fire or explosion in the presence of paint or solvent fumes.
- Keep sprayer at least 10 in. (25 cm) away from objects while spraying or flushing.
- Verify all containers and collection systems are grounded to prevent static discharge.
- Connect to a grounded outlet and use grounded extension cords. Do not use a 3 to 2 adapter.
- Do not use paints or solvents containing halogenated hydrocarbons.
- Do not smoke in the spray area.
- Do not operate light switches, engines, or similar spark producing products in the spray area.
- Keep area clean and free of paint or solvent containers, rags, and other flammable materials.
- Know the contents of the paints and solvents being sprayed. Read all Safety Data Sheets (SDS) and container labels provided with the paints and solvents. Follow the paint and solvents manufacturer's safety instructions.
- Fire extinguisher equipment shall be present and working.

WARNING



SKIN INJECTION HAZARD



High-pressure spray is able to inject toxins into the body and cause serious bodily injury. In the event that injection occurs, **get immediate surgical treatment.**

- Do not aim the sprayer at, or spray any person or animal.
- Keep hands and other body parts away from the discharge. For example, do not try to stop leaks with any part of the body.
- Disconnect power when not spraying.
- Always use the spray tip guard. Do not spray without spray tip guard in place.
- Use caution when cleaning and changing spray tips. In the case where the spray tip clogs while spraying, follow the **Pressure Relief Procedure**, page 15 for relieving the pressure before removing the spray tip to clean.
- Do not leave the unit energized or under pressure while unattended. When the unit is not in use, unplug the sprayer and follow the **Pressure Relief Procedure**, page 15.
- Check parts for signs of damage. Replace any damaged parts.
- This system is capable of producing 2000 psi. Use replacement parts or accessories that are rated a minimum of 2000 psi.
- Do not carry the unit with a finger on the trigger.
- Verify that all connections are secure before operating the unit.
- Know how to stop the unit and bleed pressure quickly. Be thoroughly familiar with the controls.



ELECTRIC SHOCK HAZARD



This equipment must be grounded. Improper grounding, setup, or usage of the system can cause electric shock.

- Turn off and disconnect power cord before servicing equipment.
- Connect only to grounded electrical outlets.
- Use only 3-wire extension cords.
- Ensure ground prongs are intact on power and extension cords.
- Do not expose to rain or wet conditions. Store indoors.

Important Safety Information

WARNING



EQUIPMENT MISUSE HAZARD

Misuse can cause death or serious injury.

- Always wear appropriate gloves, eye protection, and a respirator or mask when painting.
- Do not operate or spray near children. Keep children away from equipment at all times.
- Do not overreach or stand on an unstable support. Keep effective footing and balance at all times.
- Stay alert and watch what you are doing.
- Do not operate the unit when fatigued or under the influence of drugs or alcohol.
- Use only in dry locations. Do not expose to water or rain.
- Use in well-lit areas.
- Do not spray outdoors on windy days.



TOXIC FLUID OR FUMES HAZARD

Toxic fluids or fumes can cause serious injury or death if splashed in the eyes or on skin, inhaled, or swallowed.

- Read SDS's to know the specific hazards of the fluids you are using.
- Store hazardous fluid in approved containers, and dispose of it according to applicable guidelines.

WARNING



PRESSURIZED ALUMINUM PARTS HAZARD

Use of fluids that are incompatible with aluminum in pressurized equipment can cause serious chemical reaction and equipment rupture. Failure to follow this warning can result in death, serious injury, or property damage.

- Do not use 1,1,1-trichloroethane, methylene chloride, other halogenated hydrocarbon solvents or fluids containing such solvents.
- Do not use chlorine bleach.
- Many other fluids may contain chemicals that can react with aluminum. Contact your material supplier for compatibility.



PERSONAL PROTECTIVE EQUIPMENT

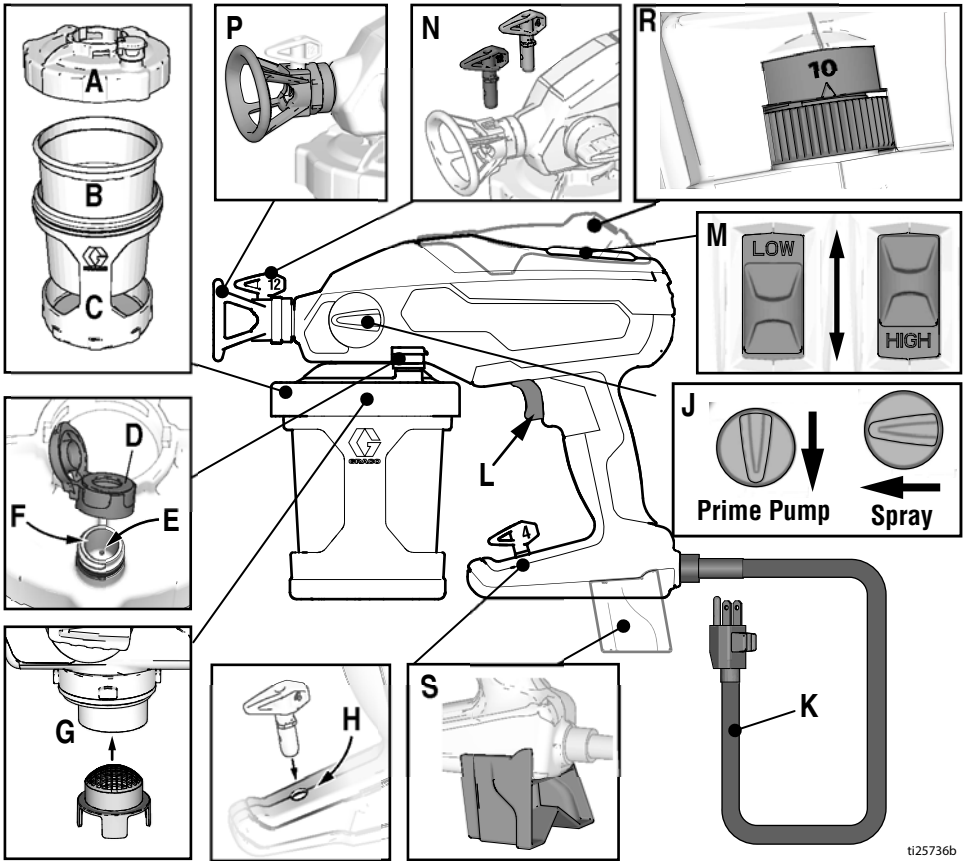
Wear appropriate protective equipment when in the work area to help prevent serious injury, including eye injury, hearing loss, inhalation of toxic fumes, and burns. This protective equipment includes but is not limited to:

- Protective eye wear, and hearing protection.
- Respirators, protective clothing, and gloves as recommended by the fluid and solvent manufacturer.

CALIFORNIA PROPOSITION 65

This product contains a chemical known to the State of California to cause cancer, birth defects or other reproductive harm. Wash hands after handling.

Component Identification



t125736b

| | |
|---|-----------------------|
| A | Cup Cover |
| B | FlexLiner |
| C | Cup Support |
| D | VacuValve Cap |
| E | VacuValve Air Hole |
| F | VacuValve Reservoir |
| G | Strainer |
| H | Spray Tip Holder |
| J | Prime Pump/Spray Knob |
| K | Power Cord |

| | |
|---|--|
| L | Sprayer Trigger |
| M | Dual Speed Control, HIGH/LOW Switch (DS and DSP models only) |
| N | Spray Tip, Black (12-inch pattern) Spray Tip, Gray (4-inch pattern) |
| P | Spray Tip Guard |
| R | Variable Speed Control (VSP models only) |
| S | Kickstand |

Start Up



Use only water-based or oil-based (mineral spirit-type) materials with a flash point greater than 100° F (38° C). Do not use materials which state "FLAMMABLE" on the packaging. For more information about your material, request SDS from distributor or retailer.

When spraying oil-based material, use outdoors or in a well-ventilated indoor area with a flow of fresh air.

Keep spray area well-ventilated. Keep a good supply of fresh air moving through the area.

NOTICE

Your sprayer is **NOT** compatible with harsh cleaners such as chlorine bleach. Using these cleaners will cause damage to the sprayer.

Starting a New Job

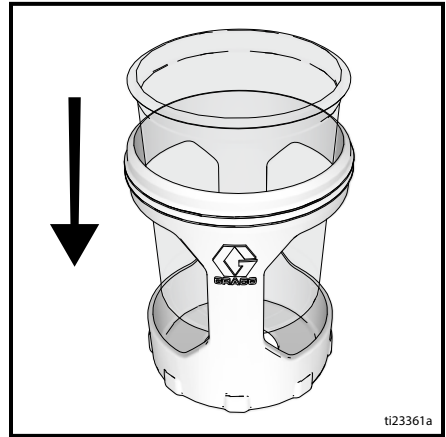
If you are using the sprayer for the very first time, see **Flushing a New Sprayer**, page 22.

Strain the Paint

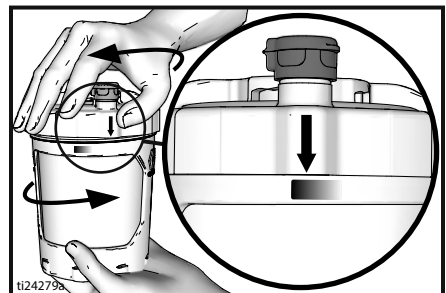


Previously opened paint may contain dried paint or other debris. To avoid priming problems and tip clogs it is advisable to strain the paint before using. Paint strainers are available where paint is sold. Stretch a paint strainer over a clean pail and pour the paint through the strainer to capture any dried paint and debris before spraying.

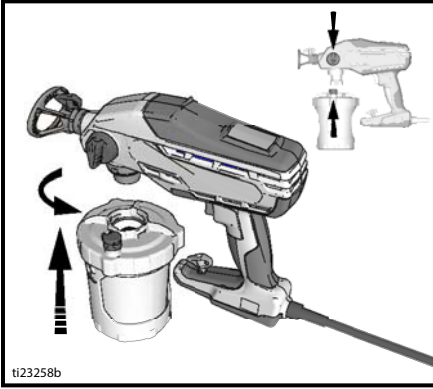
1. Install FlexLiner in the cup support.



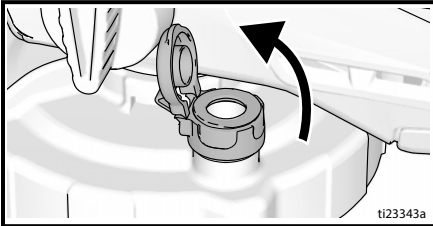
2. Fill FlexLiner with material. Securely tighten cup cover onto cup support. Tighten so the arrow on the cup cover is within range of the indicator on the cup support.



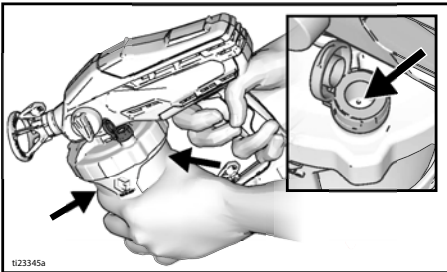
- Align VacuValve on cup cover with Prime Pump/Spray knob. Push cup assembly onto sprayer and twist to lock.



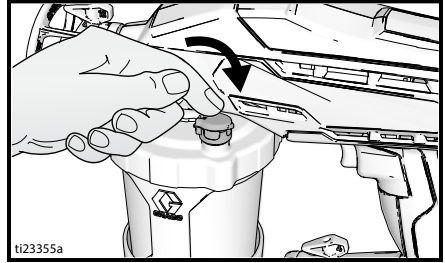
- The VacuValve is an important part of your new sprayer. It is used to evacuate the air out of the FlexLiner. Open VacuValve cap.



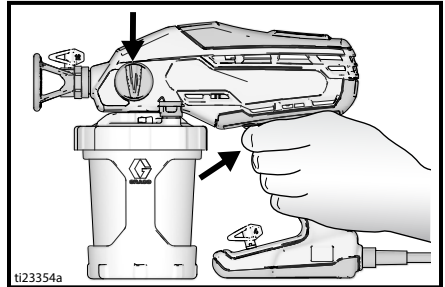
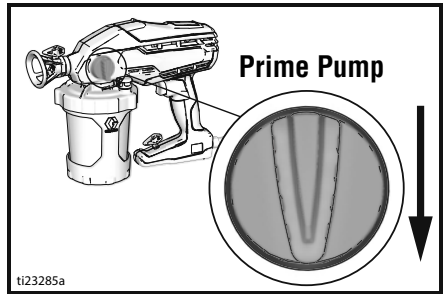
- Tilt the sprayer so the VacuValve is the highest point, causing any air in the FlexLiner to rise to the VacuValve. Gently squeeze the FlexLiner to evacuate all air through the VacuValve air hole. Once you see material enter the VacuValve reservoir, all air should be evacuated from the FlexLiner.



- Stop squeezing the FlexLiner and snap the VacuValve cap closed. You will hear the cap click when it is closed properly.

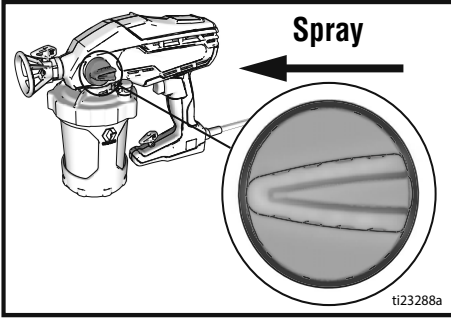


- Plug sprayer into power source.
- Turn Prime Pump/Spray knob down to Prime Pump position. To fill sprayer with fluid, point sprayer into a waste area and hold the trigger in for 5–10 seconds.

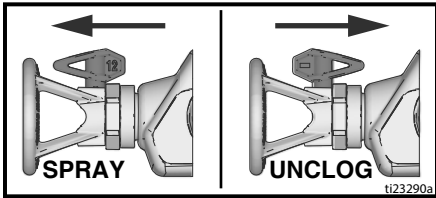


Start Up

- Air from pump may have entered the FlexLiner during priming. Repeat Steps 4 - 6 to ensure all air is evacuated.
- Turn Prime Pump/Spray knob forward to spray position.



- Make certain spray tip is in the spray position.

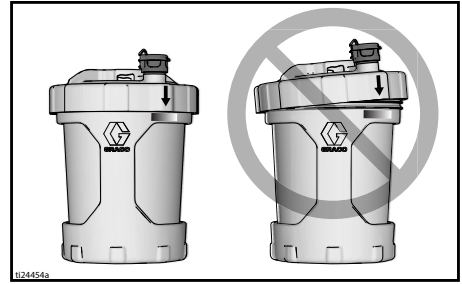


- You are now ready to spray.

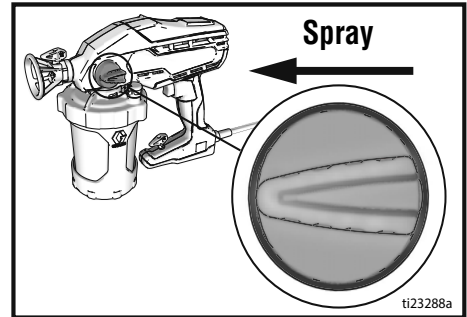
NOTE: For best results; to evacuate all material from the FlexLiner when the material is nearly gone, gently squeeze the bottom of the FlexLiner to push the last of the material up to the cup lid.

If sprayer does not spray, try one of the steps below:

- Make certain there is only one FlexLiner in cup support. It is possible for two liners to nest tightly together and appear as only one.
- Make certain the cup cover is properly threaded to the cup support. If threads are visible below the cup cover when tight, then the cover is cross-threaded. Fully remove the cup cover and reinstall to the cup support so no threads are visible when tight.



- Repeat steps 2 – 6 on pages 8 – 9 to ensure all the air is evacuated from the FlexLiner.
- Make certain the Prime Pump/Spray knob is in the Spray position.

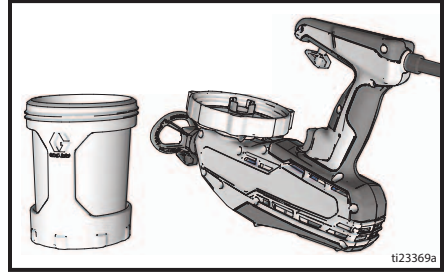


- If sprayer still does not spray, perform steps 10 and 11 on page 24. If material sprays while upside down there is air in the cup. Repeat steps above.
- Replace VacuValve cap. Extra VacuValve caps came with your sprayer.

Refilling FlexLiner

If sprayer runs out of paint simply separate the cup support from the cup cover/sprayer and refill the FlexLiner.

1. Unplug sprayer from power source.
2. Separate the cup support from the cup cover/sprayer. Set the sprayer upside down on a flat surface. This will keep the wet paint in the cup cover.



3. Follow steps 2 - 12 in **Starting a New Job**, page 8 procedure.

How to Spray

Take a few moments prior to spraying and review these simple tips to ensure your spraying project is a success.

Dual Speed Control

(Not available on all units)

The dual speed control feature allows you to slow down or speed up when spraying.

- Turn the dual speed control to LOW to slow down the speed of application when first learning to spray or when spraying small items that require more control.
- The LOW setting delivers more control and will reduce overspray when spraying thinner materials such as stain.
- Turn the dual speed control to HIGH when you want to get to job done fast and when spraying large surfaces.
- To reduce overspray, always spray at lowest speed that results in an acceptable spray pattern.

Variable Speed Control

(Not available on all units)

The variable speed control feature allows you infinite speed control to slow down or speed up to best suit your material and project.

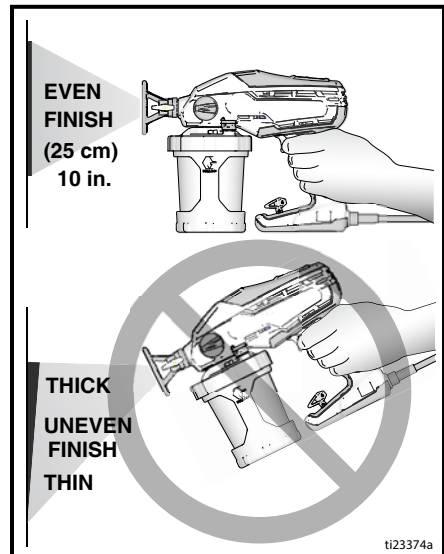
- Turn the variable speed control to lower speed settings to slow down the speed of application when first learning to spray or when spraying small items that require more control.
- The lower speed settings deliver more control and will reduce overspray when spraying thinner materials such as stain.
- Turn the variable speed control to higher speed settings when you want to get the job done fast and when spraying large surfaces.
- To reduce overspray, always start at lowest speed setting and increase speed to the minimum setting that results in an acceptable spray pattern.

Spray Techniques

Use a piece of scrap cardboard to practice these basic spraying techniques before you begin spraying the surface.

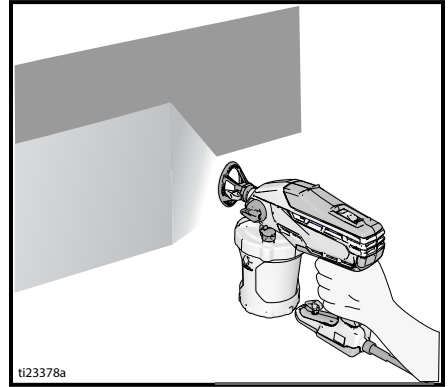
- Hold sprayer 10 in. (25 cm) from surface and aim straight at surface. Tilting the sprayer to direct the spray angle causes an uneven finish.
- Flex wrist to keep sprayer pointed straight. Fanning sprayer to direct spray at angle causes uneven finish.

NOTE: How fast you move the sprayer will affect spray application. If material is pulsating, you are moving too fast. If material drips, you are moving too slow. See **Troubleshooting**, page 30.



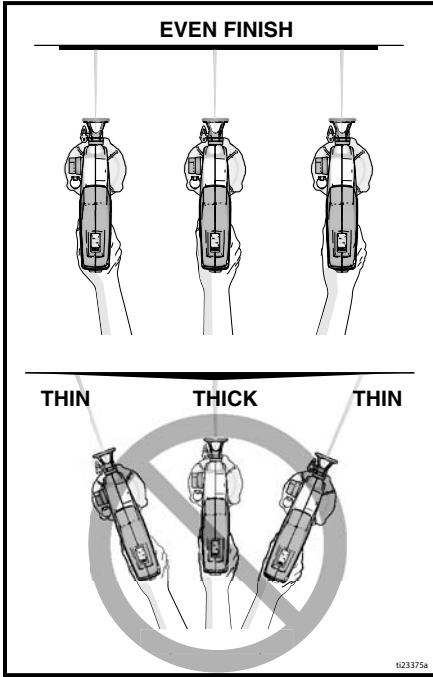
Aiming Sprayer

Aim sprayer at bottom edge of previous stroke, overlapping each stroke by half.



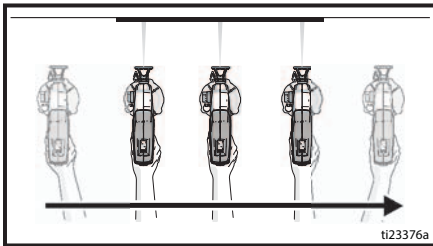
Rotating the spray tip guard changes the pattern to either the vertical or horizontal orientations.

When spraying vertical corners turn spray tip guard to the horizontal orientation and move sprayer up and down.



Triggering Sprayer

Pull trigger after starting stroke. Release trigger before end of stroke. Sprayer must be moving when trigger is pulled and released.

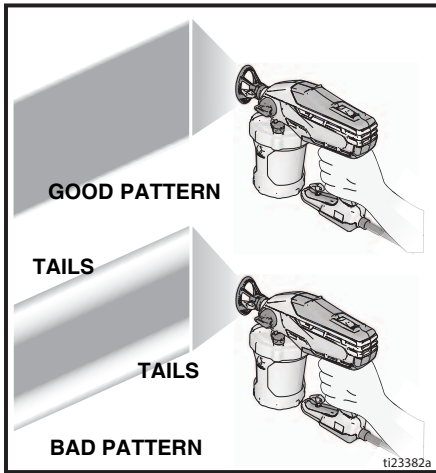


How to Spray

Spray Pattern Quality

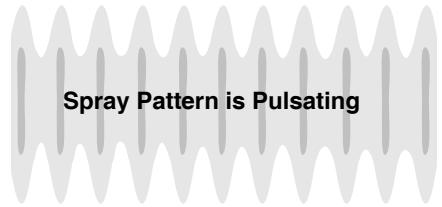
A good spray pattern is evenly distributed as it hits the surface. If tails persist, material may need to be thinned.

If material needs to be thinned follow manufacturers recommendations.



If you see pulsations in the pattern, try the following:

- On the dual speed models turn the dual speed control to HIGH
- On the variable speed models turn the variable speed control to higher setting
- Slow down your speed of movement
- Hold sprayer farther away from surface
- Switch to black (12") spray tip



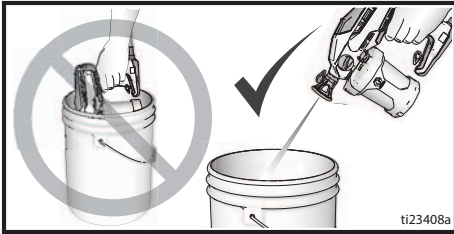
Cleanup



Use only water-based or oil-based (mineral spirit-type) materials with flash point greater than 100° F (38° C). Do not use materials which state "FLAMMABLE" on the packaging. For more information about your material, request SDS from distributor or retailer.

Clean in a well-ventilated area. Keep a good supply of fresh air moving through the area.

To avoid serious injury or damage to equipment, do not expose the sprayer electronics to cleaning fluids. Keep sprayer at least 10 in. (25 cm) above the rim of the container when cleaning.



Pressure Relief Procedure

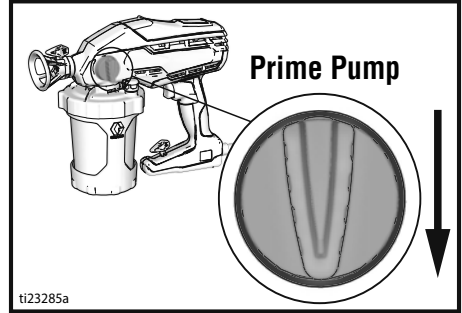


Follow the Pressure Relief Procedure whenever you see this symbol.



This sprayer builds up an internal pressure of 2000 psi (14 MPa, 138 bar) during use. Follow this **Pressure Relief Procedure** whenever you stop spraying and before cleaning, checking, servicing, or transporting equipment to prevent serious injury.

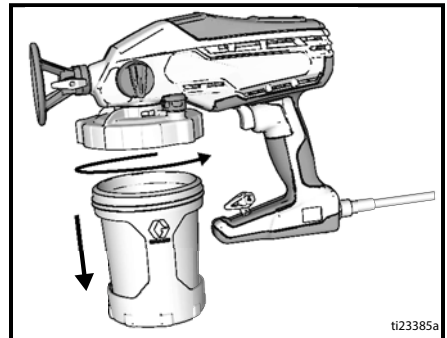
1. Disconnect power (unplug power cord).
2. Turn Prime Pump/Spray Knob down to PRIME PUMP position to relieve pressure.



Cleaning Sprayer

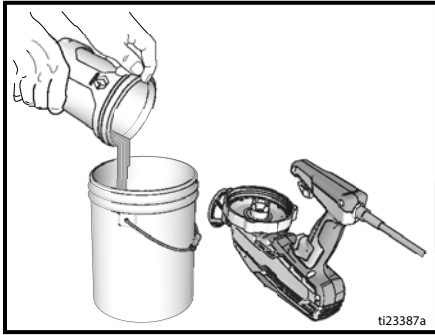
Cleaning your sprayer properly and after every spray job is of the utmost importance! Proper care and maintenance will make your paint sprayer last and work for you trouble free.

1. Turn Prime Pump/Spray knob to Prime Pump to relieve pressure.
2. Separate the cup support with FlexLiner from the cup cover/sprayer.

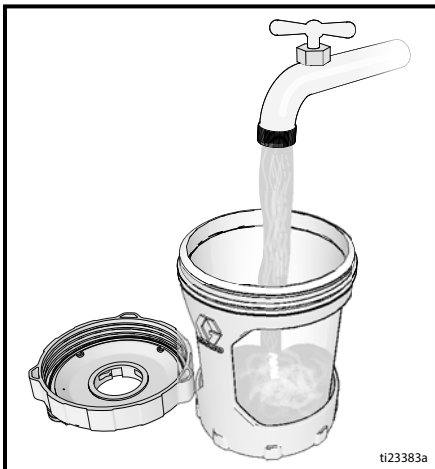


Cleanup

3. Set the sprayer upside down on a flat surface. This will keep the wet paint in the cup cover. Return excess material to original container. Hold the FlexLiner in place when pouring.

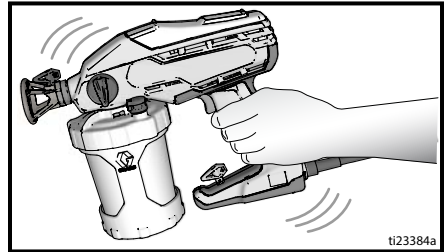


4. You can either dispose of the used FlexLiner and install a new FlexLiner or clean a used FlexLiner.
5. To clean the sprayer, fill FlexLiner approximately half-full with appropriate cleaning fluid (water or mineral spirits).
6. Securely tighten cup cover onto cup support.

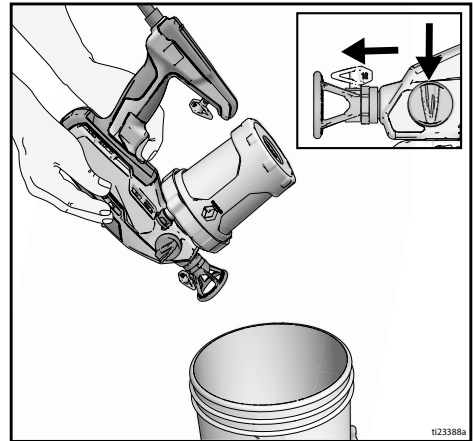


7. To clean the cup cover and strainer, secure the cup assembly to the sprayer and shake the entire sprayer for ten seconds.

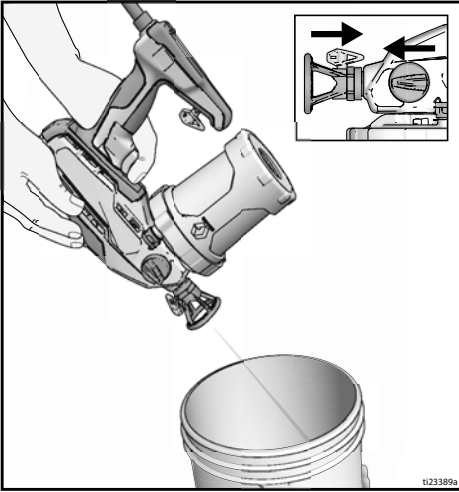
8. Make certain the Prime Pump/Spray knob is in the Prime Pump position (pointed down). On models with a dual speed control switch, set speed control to HIGH. On variable speed models set speed control to 10.



9. Turn the sprayer upside down and point the sprayer into a waste pail. Pull the trigger for ten seconds.



10. Turn Prime Pump/Spray knob forward to SPRAY position. Reverse spray tip to UNCLOG position.
11. While holding the sprayer upside down point the sprayer into a waste pail. Pull the trigger for five seconds. Release the trigger.
12. If second spray tip was used, remove cleaned spray tip from spray tip guard and install second spray tip. See **Installing Spray Tips**, page 20. Repeat steps 10 and 11 to clean second spray tip.



13. Remove cup assembly and discard used cleaning fluid. Dispose of used cleaning fluid properly.

14. Replace cleaning fluid and repeat steps 1- 13 until spray output is clean.

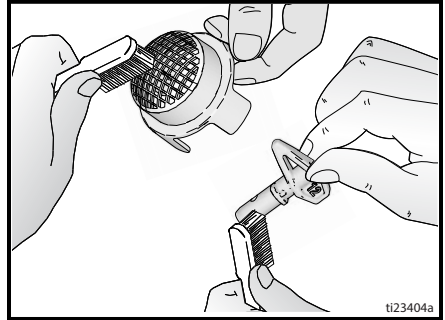
IMPORTANT! For best results, do not spray more than one cup of water through the tip while cleaning. If more flushing is needed, remove the tip from the sprayer to avoid excessive wear.

NOTICE

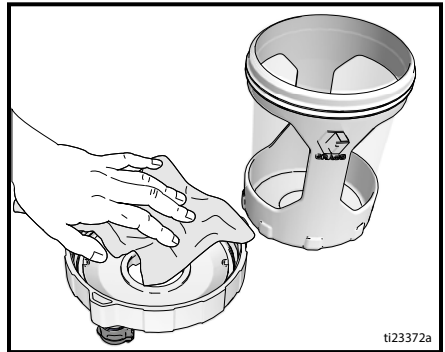
The spray tip guard is permanently attached to the sprayer. Removal for cleaning is not necessary and will result in damage to the sprayer.



15. Remove spray tip and strainer, see **Remove Spray Tip**, page 20. Clean with appropriate cleaning fluid (water or mineral spirits). A soft brush can be used to loosen and remove dried material if needed.



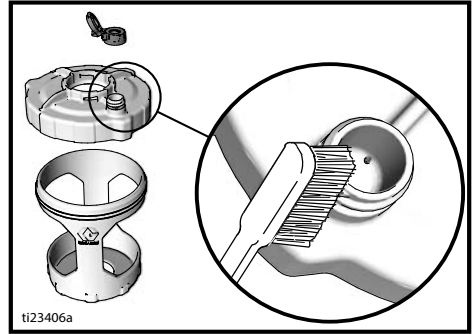
16. Use a soft cloth to clean the cup support and cup cover.



Cleaning VacuValve

The VacuValve is an important part of your sprayer and it should be cleaned after every use.

1. Remove VacuValve cap from cup cover and clean it.
2. Clean VacuValve reservoir in lid.
3. Clean VacuValve air hole. If VacuValve air hole becomes clogged, use a paper clip to clean the hole.



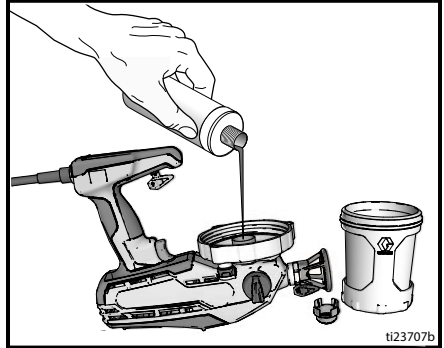
Storage

**NOTICE**

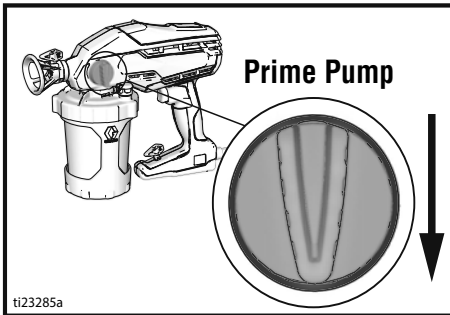
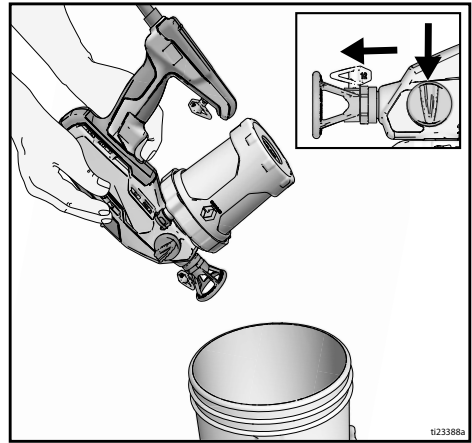
Failure to store sprayer with Pump Armor will result in operational problems the next time you spray. Always circulate Pump Armor through the sprayer after cleaning. **Water or solvents other than mineral spirits left in the sprayer will corrode and damage the pump.**

Pump Armor fluid protects the sprayer while in storage. It helps protect sprayer against freezing and corrosion when not in use.

1. Clean the sprayer and cup assembly. See **Cleanup**, page 15.
2. Turn Prime Pump/Spray knob down to the Prime Pump position. Remove cup support and FlexLiner. Make certain that VacuValve cap is closed.



7. With sprayer upside-down attach cup support with FlexLiner to sprayer.
8. Holding sprayer upside-down over a waste container, pull sprayer trigger for three seconds.



3. Separate the cup support with FlexLiner from the cup cover/sprayer. Set the sprayer upside down on a flat surface.
4. Remove strainer from pump opening.
5. With the sprayer upside-down pour approximately 2 oz. (60 ml) Pump Armor into pump opening.
6. Install strainer into pump opening.
9. Turn Prime Pump/Spray knob forward to spray position. Remove cup assembly and pour any remaining Pump Armour back into Pump Armor bottle. Replace child-resistant cap and tighten securely for storage.
10. Store sprayer indoors in a cool, dry place. Store in an **upright position only**. Never store sprayer with material in the cup.

Common Procedures

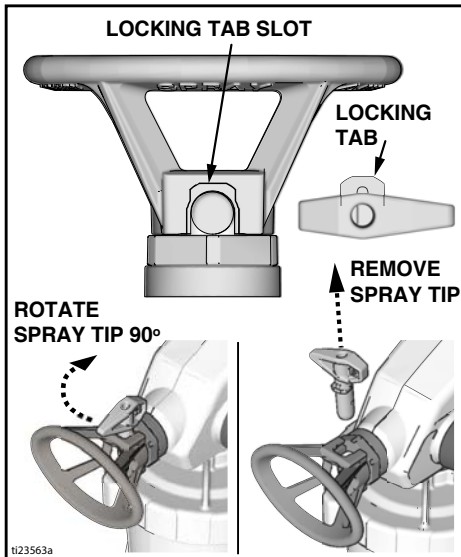
Installing Spray Tips



Do not put your hand in front of the spray tip.

Two spray tips are available for use with this sprayer. The black tip produces a 12-inch wide spray pattern. The gray tip produces a 4-inch wide spray pattern.

Either spray tip may be used to spray materials that are recommended to be sprayed with a 0.015 tip size. See material container for spray tip size recommendations.



Remove Spray Tip

1. Perform **Pressure Relief Procedure**, page 15.
2. Rotate the spray tip 90 degrees from either the SPRAY or UNCLOG position.
3. Pull the spray tip straight out of the spray tip guard.

Install Spray Tip

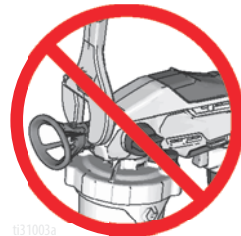
1. While holding the spray tip 90 degrees from either the SPRAY or UNCLOG position, align spray tip locking tab with the locking tab slot in the spray tip guard.
2. Push the spray tip all the way into the spray tip guard.
3. Rotate the spray tip to the SPRAY position.

NOTE: Make certain spray tip locking tab is pushed all the way into the slot in the spray tip guard. You should not be able to remove the spray tip from the spray tip guard when it is in the Spray or Unclog positions.

NOTE: If the locking tab slot in the spray tip guard is blocked, preventing installation of the spray tip, rotate the spray tip guard until it is visually aligned with the internal hole, then install the spray tip.

NOTICE

The spray tip guard is permanently attached to the sprayer. Removal for cleaning is not necessary and will result in damage to the sprayer.



- Spray tips wear with use and abrasive paint and need periodic replacement.
- If the spray pattern is poor, you may have a worn spray tip. Replace spray tip. See **Spray Pattern Diagnostics**, page 31.

NOTICE

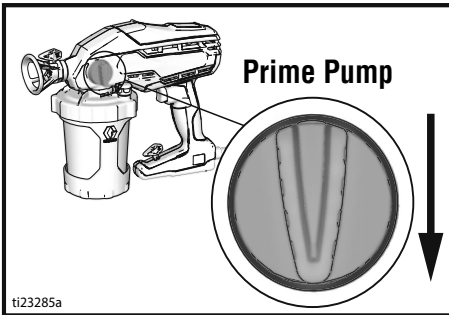
Spray tips must be cleaned or stored in appropriate cleaning fluid (water or mineral spirits) immediately after use to ensure material is not allowed to dry in spray tip. Failure to do so will result in damage to the spray tip. See **Cleanup**, page 15.

Unclogging Spray Tip

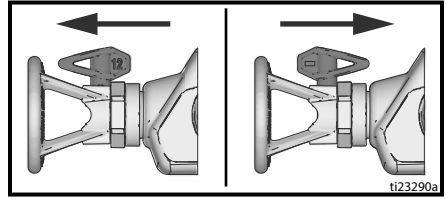


In the event that particles or debris clog the spray tip, this sprayer is designed with a reversible spray tip that quickly and easily clears the particles without disassembling the sprayer. See for **Strain the Paint**, page 8 for additional information.

1. Perform **Pressure Relief Procedure**, page 15.
2. To unclog spray tip, turn Prime Pump/Spray knob down to Prime Pump position.



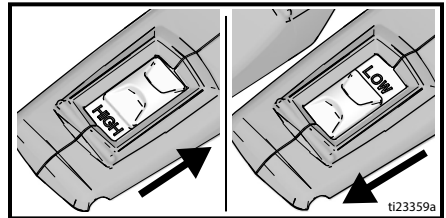
3. Reverse spray tip to **UNCLOG** position.



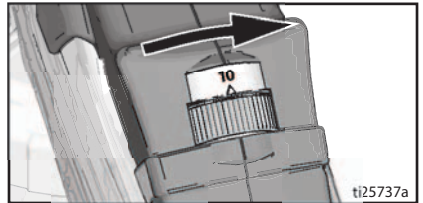
SPRAY

UNCLOG

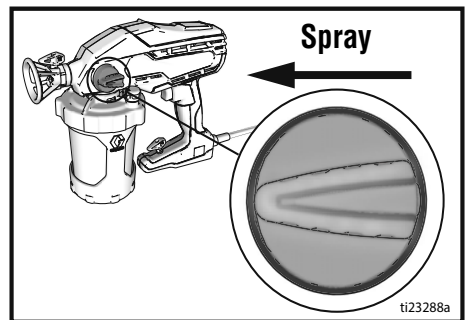
4. Dual speed models:
Move speed control switch to **HIGH** setting.



5. Variable speed models:
Set speed control to 10.



6. Aim sprayer at waste area, turn Prime Pump/Spray knob forward to spray position. Pull trigger to clear clog.



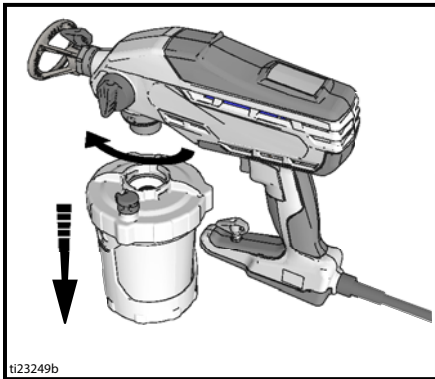
Common Procedures

7. Turn Prime Pump/Spray knob down to Prime position. Rotate spray tip back to SPRAY position. Turn Prime Pump/Spray knob forward to SPRAY position, and resume spraying.
8. If spray tip is still clogged, you may have to repeat steps 2 - 7, or replace with new spray tip assembly. See **Installing Spray Tips**, page 20.

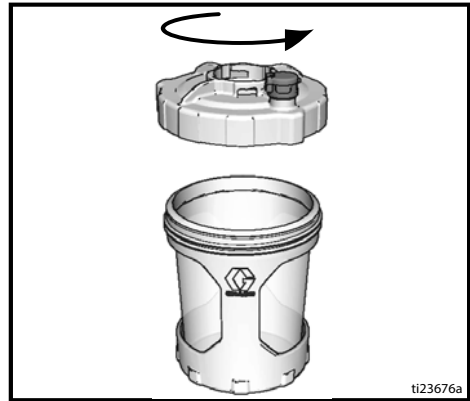
Flushing a New Sprayer

This sprayer arrives from the factory with a small amount of test material in the system. **It is important that you flush this material from the sprayer before using it for the first time.**

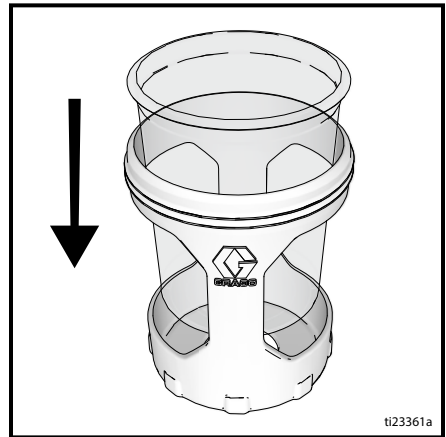
1. Remove cup assembly from the sprayer by turning and pulling down.



2. Unscrew cup cover from the cup support.

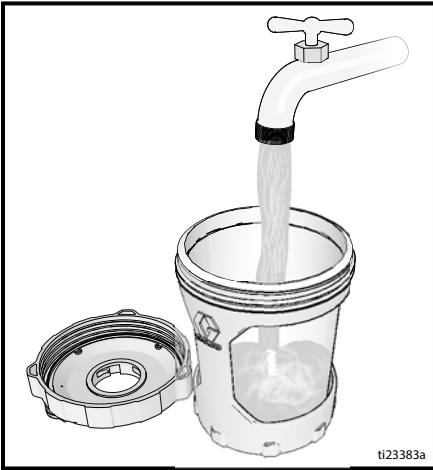


3. Make certain FlexLiner is in the cup support.

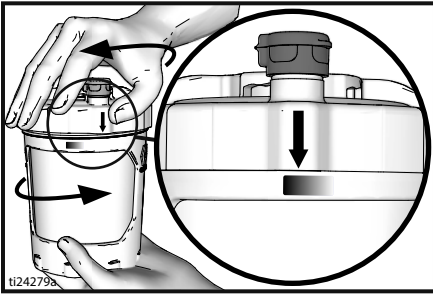


Common Procedures

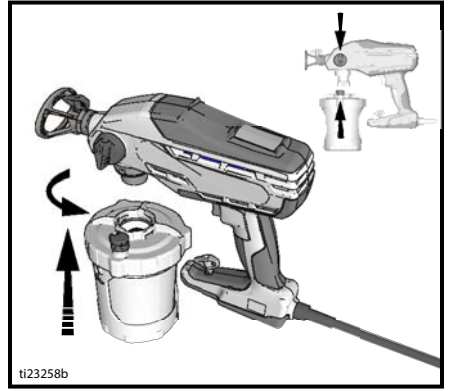
4. Fill FlexLiner with water.



5. Securely tighten cup cover onto cup support. Tighten so the arrow on the cup cover is within range of the indicator on the cup support.



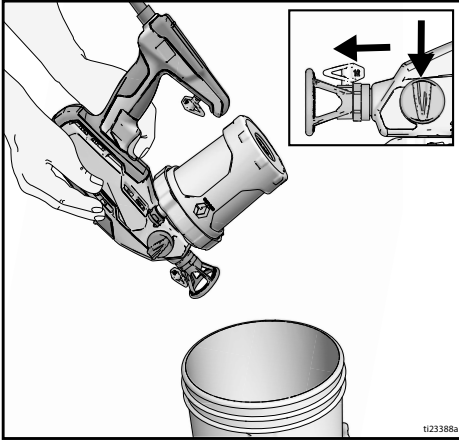
6. Align VacuValve on cup cover with Prime Pump/Spray knob. Push cup assembly onto sprayer and twist to lock.



7. Plug sprayer into power source.
8. Make certain the Prime Pump/Spray knob is in the Prime Pump position (pointed down). On models with a dual speed control switch, set speed control to HIGH. On variable speed models set speed control to 10.
9. Turn the sprayer upside down and point the sprayer into a waste pail. Pull the trigger for three seconds.

Common Procedures

10. Turn Prime Pump/Spray knob forward to SPRAY position. Rotate spray tip 180 degrees to UNCLOG position.



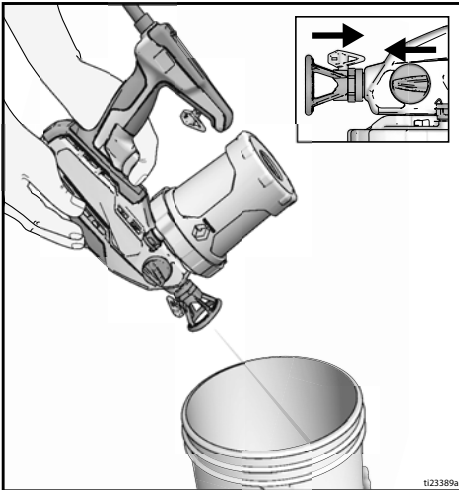
11. While holding the sprayer upside down point the sprayer into a waste pail. Pull the trigger for three seconds.

IMPORTANT! For best results, do not spray more than one cup of water through the tip while cleaning. If more flushing is needed, remove the tip from the sprayer to avoid excessive wear.

12. Sprayer is now flushed and ready for use. See **Start Up**, page 8.

IMPORTANT! The motor has a built-in feature to protect itself from overuse. If the motor stops, the thermal switch has tripped.

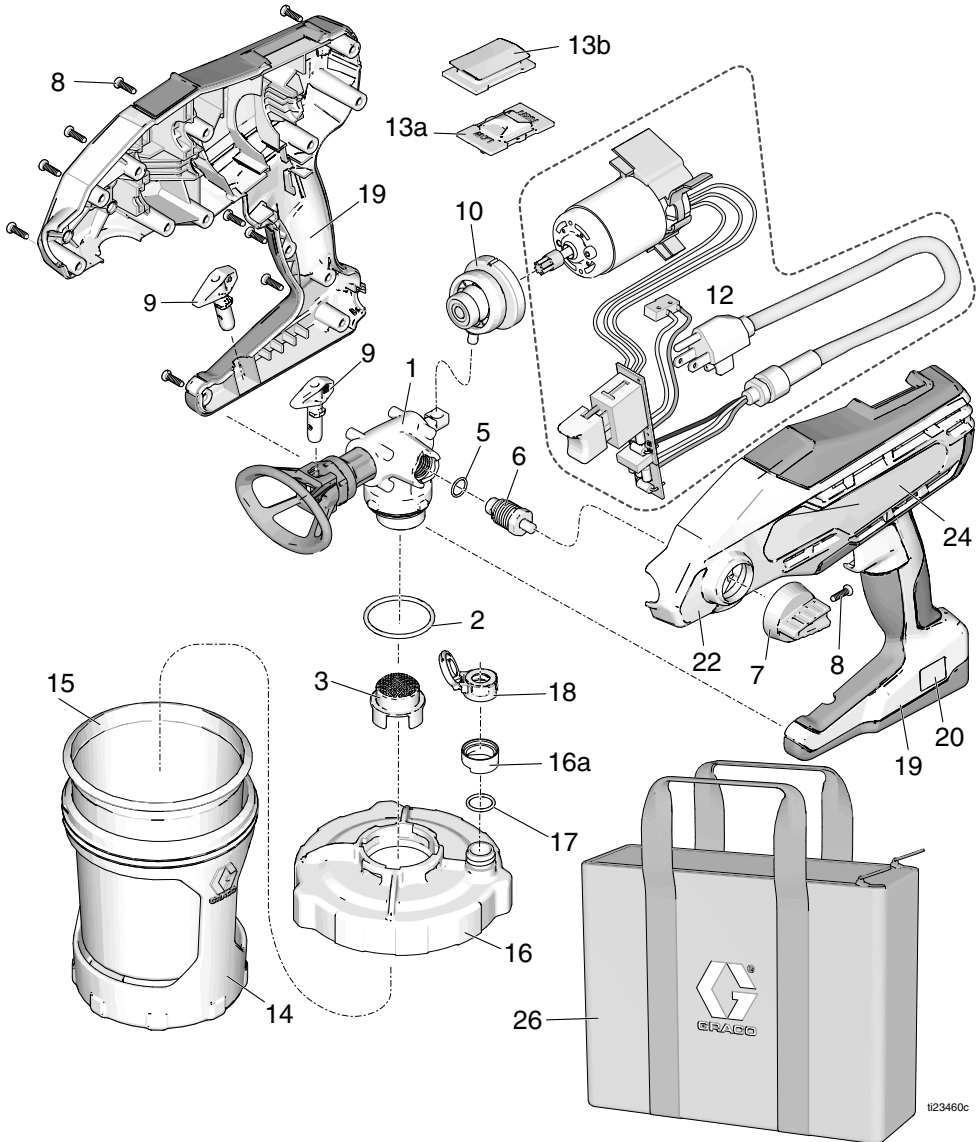
Do not return sprayer to store. The motor will operate normally after cooling for 20-30 minutes.



Replacement Parts

Replacement Parts

Models 16Y385, 16Y386, 17A466



t123460c

Replacement Parts

Parts List- Models 16Y385, 16Y386, 17A466

| Ref. | If you have this model sprayer | Order Part Number | Description |
|------|--------------------------------|-------------------|--|
| 1 | All models | 17B415 | Complete pump assembly <i>includes 2, 3, 6, 7, 8</i> |
| 2 | All models | 16Y425 | O-ring |
| 3 | All models | 16W849 | Filter, pump inlet |
| 5 | All models | 117059 | O-ring |
| 6 | All models | 17A402 | Prime Pump/Spray valve <i>includes qty. 1 of ref. 5</i> |
| 7 | All models | 17A221 | Kit, Prime Pump/Spray knob <i>includes qty. 1 of ref. 8</i> |
| 8 | All models | 119236 | Screw, T-15 (torque 8-10 in-lb / 0.9-1.1 N•m) |
| 9 | All models | 17A223 | Spray tips, (black/12-inch pattern, gray/4-inch pattern) |
| 10 | All models | 16X880 | Reciprocator assembly |
| 12 | | | Control, electronic <i>includes motor, air duct, power cord and switch</i> |
| | 16Y385 | 17A224 | Single speed, 120 V (not shown) |
| | 16Y386, 17A466 | 17B653 | Dual speed, 120 V |
| 13a | 16Y386, 17A466 | 16X868 | Switch, dual speed control |
| 13b | 16Y385 | 16X869 | Plug |
| 14 | All models | 16W846 | Support, 32 oz. cup |
| 15 | All models | 17A226 | Kit, 32oz., FlexLiner (3-pack) |
| 16* | All models | 17B636 | Cover, cup <i>includes 16a, 17, 18</i> |
| 16a | All models | 17M395 | Spacer |
| 17 | All models | 17M821 | O-ring |
| 18 | All models | 16X806 | VacuValve cap, (2 included) |
| 19 | 16Y385, 17A466 | 17A227 | Kit, enclosure blue <i>includes qty. 13 of ref. 8,</i> |
| | 16Y386 | 17A649 | Kit, enclosure gray <i>includes qty. 13 of ref. 8,</i> |
| 20 | All models | 16Y680 | Label, USA |
| 22 | All models | 16Y678 | Label, control |
| 23 ▲ | All models | 16Y636 | Label, warning and model number, side (not shown) |
| 24 | | | Label, brand |
| | 16Y385 | 17J971 | TrueCoat 360 |
| | 16Y386 | 17J973 | TrueCoat 360 DSP |
| | 17A466 | 17J972 | TrueCoat 360 DS |
| 25 ▲ | All models | 17A198 | Label, warning, cord (not shown) |
| 26 | 16Y386 | 17N194 | Case, storage |
| --- | All models | 17F518 | Kit, 42 oz. cup (not shown) |
| --- | --- | 243104 | Pump Armor, not shipped with sprayer 32 oz (not shown) |
| --- | All models | 17K630 | Tag, hang, tip (not shown) |
| --- | All models | 17K515 | Label, A+ Service (not shown) |

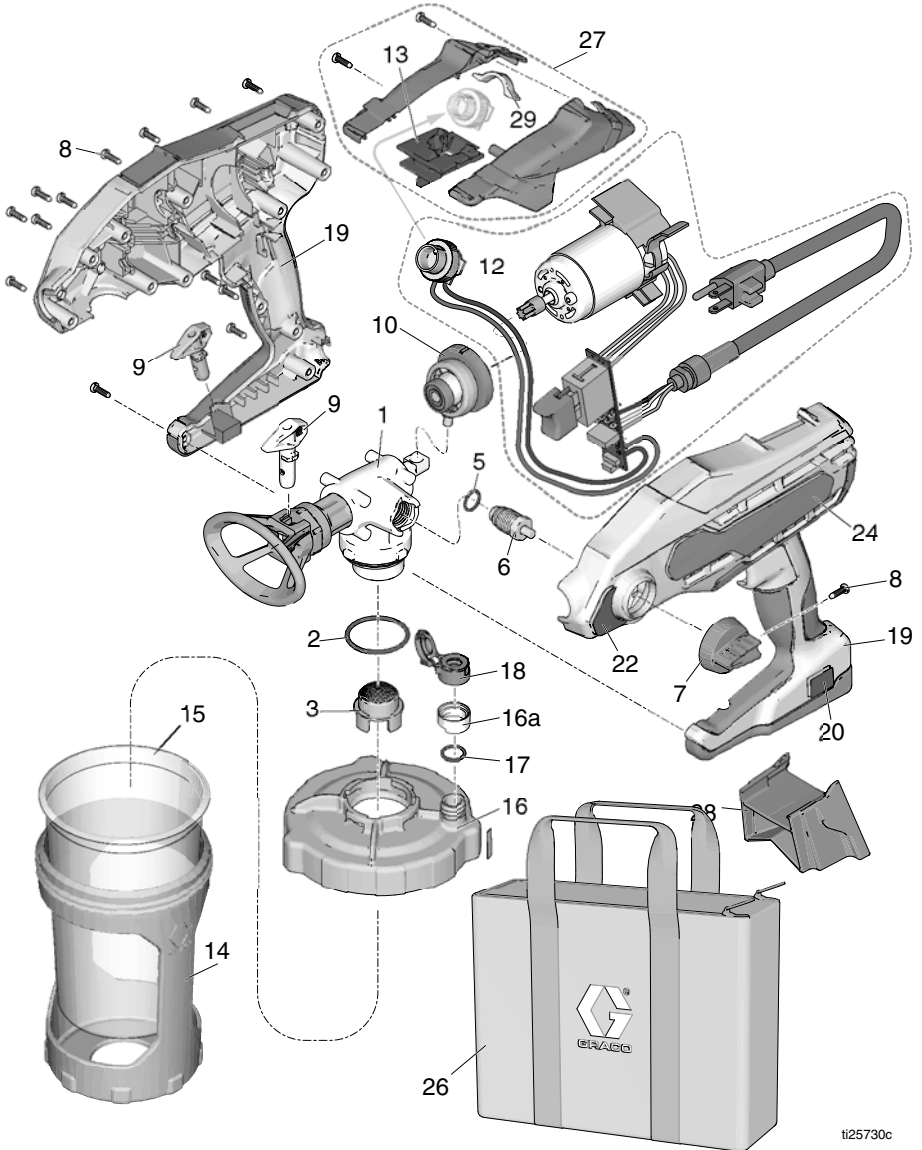
▲ Replacement Danger and Warning labels, tags, and cards are available at no cost.

* When replacing 17B636, recommend replacing 2, 3, 17, 18.

Replacement Parts

Replacement Parts

Model 17D889



125730c

Parts List- Model 17D889

| Ref. | If you have this model sprayer | Order Part Number | Description |
|--|--------------------------------|-------------------|--|
| 1 | All models | 17B415 | Complete pump assembly <i>includes 2, 3, 6, 7, 8</i> |
| 2 | All models | 16Y425 | O-ring |
| 3 | All models | 16W849 | Filter, pump inlet |
| 5 | All models | 117059 | O-ring |
| 6 | All models | 17A402 | Prime Pump/Spray valve <i>includes qty. 1 of ref. 5</i> |
| 7 | All models | 17A221 | Kit, Prime Pump/Spray knob <i>includes qty. 1 of ref. 8</i> |
| 8 | All models | 119236 | Screw, T-15 (torque 8-10 in-lb / 0.9-1.1 N•m) |
| 9 | All models | 17A223 | Spray tips, (black/12-inch pattern, gray/4-inch pattern) |
| 10 | All models | 16X880 | Reciprocator assembly |
| 12 | 17D889 | 17F068 | Control, electronic <i>includes motor, air duct, power cord and switch</i> Variable speed, 120 V |
| 13 | 17D889 | 17D844 | Adapter, variable speed control |
| 14 | 17D889 | 17D850 | Support, cup, 42 oz. |
| 15 | 17D889 | 17F005 | Kit, 42 oz., FlexLiner (3-pack) |
| 16* | All models | 17B636 | Cover, cup <i>includes 16a, 17, 18</i> |
| 16a | All models | 17M395 | Spacer |
| 17 | All models | 17M821 | O-ring |
| 18 | All models | 16X806 | VacuValve cap, (2 included) |
| 19 | 17D889 | 17A649 | Kit, enclosure gray <i>includes qty. 13 of ref. 8</i> |
| 20 | All models | 16Y680 | Label, USA |
| 22 | All models | 16Y678 | Label, control |
| 23 ▲ | All models | 16Y636 | Label, warning and model number, side (not shown) |
| 24 | 17D889 | 17J976 | Label, brand, TrueCoat 360 VSP |
| 25 ▲ | All models | 17A198 | Label, warning, cord (not shown) |
| 26 | 17N194 | 17C468 | Case, storage |
| 27 | 17D889 | 17F069 | Kit, enclosure, variable speed <i>includes sight glass, includes 13, 29, qty. 2 of ref 8</i> |
| 28 | 17D889 | 17F364 | Kickstand |
| 29 | 17D889 | 17D843 | Sight glass |
| - - - | All models | 17F518 | Kit, 42 oz. cup <i>includes 14, 15, 28</i> |
| - - - | - - - | 243104 | Pump Armor, not shipped with sprayer 32 oz (not shown) |
| - - - | All models | 17K630 | Tag, hang, tip (not shown) |
| - - - | All models | 17K515 | Label, A+ Service (not shown) |
| ▲ Replacement Danger and Warning labels, tags, and cards are available at no cost. | | | |
| * When replacing 17B636, recommend replacing 2, 3, 17, 18. | | | |

Troubleshooting



Check everything in this Troubleshooting Table before you bring the sprayer to an authorized service center.

Have a Question?

Call toll-free:

1-888-541-9788

Or visit us at:

www.magnum.graco.com/support

11/2017 14




Sprayer Diagnostics

| Problem | Cause | Solution |
|---|--|--|
| Sprayer makes no sound when trigger is pulled | Power supply. | Verify power to sprayer. |
| | Motor has overheated. | Wait 20-30 minutes for motor to cool. |
| | Electronic control failure. | Replace electronic control. |
| Sprayer makes sound but no material is sprayed when trigger is pulled | Sprayer is not primed. | Prime the pump. See Starting a New Job , page 8. |
| | | Make certain there is only one FlexLiner in the cup support. |
| | | Make certain the cup cover is properly threaded to the cup support. If threads are visible below the cup cover when tight, fully remove and reinstall to the cup support so no threads are visible when tight. |
| | | Make certain the cup cover is tightened to cup support so the arrow on cup cover is within range of indicator on cup support. |
| | | Make certain the cup assembly is properly locked on the sprayer. |
| | | Make certain all the air is out of the FlexLiner and the VacuValve is properly closed. |
| | | Clean VacuValve reservoir and air hole. See , page 17. |
| | | Clean Sprayer. See Cleanup , page 15. |
| | Prime Pump/Spray knob is in PRIME PUMP position. | Turn Prime Pump/Spray knob forward to SPRAY position. |
| | Spray tip is not in SPRAY position. | Turn spray tip to SPRAY position. |
| Spray tip is clogged. | See Unclogging Spray Tip , page 21. | |
| Debris in paint. | See Strain the Paint , page 8. | |


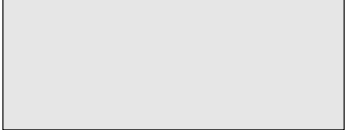

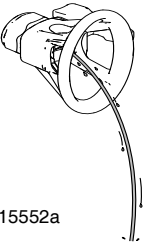
Troubleshooting

| Problem | Cause | Solution |
|--|--|--|
| Sprayer makes sound but no material is sprayed when trigger is pulled (cont'd) | Speed control is set too low. | On models with a dual speed control switch, set speed control switch to HIGH. On variable speed models, increase speed until unit sprays. |
| | No or low material in material cup. | Refill FlexLiner with material and prime the pump. See Refilling FlexLiner , page 11. |
| Sprayer sprays with poor results | Spray tip is partially clogged. | See Unclogging Spray Tip , page 21. |
| | Spray tip is not in correct position | Rotate spray tip to SPRAY position. |
| | Incorrect spray tip for application of material. | Install different size spray tip. See Installing Spray Tips , page 20. |
| | Spray tip is worn or damaged | Replace spray tip. See Installing Spray Tips , page 20. |
| | Material being sprayed is aerated because it was shaken. | Do NOT shake material. Stir the material or check the manufacturer's recommendation for the material being sprayed. |
| | Material being sprayed is too cold to spray. | Warm material. |
| Paint leaks from sprayer trigger area. | Pump has reached its maximum life. | Replace pump. |
| Paint leaks out of the cup threads. | Cup not properly seated. | Make certain that there is only one FlexLiner in cup support. |
| | | Make certain the cup cover is properly threaded to the cup support. If threads are visible below the cup support when tight, fully remove the cup cover and reinstall to the cup support so no threads are visible when tight. |
| | | Make certain the cup cover is tightened to the cup support so the arrow on the cup cover is within range of the indicator on the cup support. |
| | | Avoid flexing or pushing on the cup support when you evacuate the air out of the FlexLiner. |
| | | Avoid pulling down on the FlexLiner when you evacuate the air out of the FlexLiner. |
| | | Make certain there is no damage to the FlexLiner lip or the cup cover gasket. |
| | | Make certain that the FlexLiner lip and cup cover gasket is free of debris and dried paint. |
| | | Replace FlexLiner. |

Troubleshooting

| Problem | Cause | Solution |
|---|--|--|
| Spray pattern is pulsating:  | Operator is moving too fast while spraying. | Slow speed of movement. |
| | Spray tip is clogged. | Unclog spray tip or clean spray tip see Unclogging Spray Tip , page 21. |
| | Material difficult to atomize. | On models with a dual speed control switch, set speed control to HIGH. On variable speed models, increase speed until desired pattern is achieved. |
| | | Hold sprayer farther away from surface. |
| | | Switch to black (12") spray tip. See Installing Spray Tips , page 20. |
| Spray pattern has tails:  ti15526a | Speed control is set too low. | On models with a dual speed control switch, set speed control to HIGH. On variable speed models, increase speed until desired pattern is achieved. |
| | Material may need to be thinned. | Thin material follow paint manufacturer's recommendations. |
| | Incorrect spray tip for application of material. | Install different size spray tip. See Installing Spray Tips , page 20. |
| | Material not compatible with sprayer. | Switch material. |
| | Spray tip is worn or damaged. | Replace spray tip. See Installing Spray Tips , page 20. |
| Spray pattern has dripping/sagging:  | Operator is moving too slowly while spraying. | Move sprayer faster while spraying. |
| | Sprayer is too close to target surface. | Move sprayer away from surface 10 in. (25 cm) |
| | Holding trigger while changing spray direction. | Release trigger when changing directions. |
| | Speed control switch is set too high. | On models with a dual speed control switch, set speed control to LOW. On variable speed models, decrease speed until desired pattern is achieved. |
| | Spray tip is worn or damaged. | Replace spray tip. See Installing Spray Tips , page 20. |

Troubleshooting

| Problem | Cause | Solution |
|--|--|---|
| Spray pattern is too narrow:  ti15523a | Sprayer is too close to target surface. | Move sprayer away from surface 10 in. (25 cm) |
| | Incorrect spray tip for application of material. | Install different size spray tip. See Installing Spray Tips , page 20. |
| | Spray tip is worn or damaged. | Replace spray tip. See Installing Spray Tips , page 20. |
| Spray pattern is too wide:  ti15527a | Sprayer is too far away from target surface. | Move sprayer closer to surface. |
| | Incorrect spray tip for application of material. | Install different size spray tip. See Installing Spray Tips , page 20. |
| Spray pattern "spits" at the end or beginning:  ti15525a | Excess material has accumulated on spray tip guard assembly or spray tip is partially clogged. | Clean spray tip guard. See Unclogging Spray Tip , page 21. |
| | Spray tip not inserted completely into spray tip guard. | See Installing Spray Tips , page 20. |
| | Spray tip is worn. | Replace spray tip. See Installing Spray Tips , page 20. |
| Spray tip continues to drip or ooze material after trigger is released:  ti15552a | Spray tip is worn. | Replace spray tip. See Installing Spray Tips , page 20. |
| | Spray tip not inserted completely into spray tip guard. | See Installing Spray Tips , page 20. |
| | If above solutions do not solve the problem, replace the pump assembly. | |

Technical Data

| Hand-Held Sprayer | | |
|-------------------------------|---|---|
| | U.S. | Metric |
| Max Working Pressure | 1500 psi | 10.3 MPa, 103 bar |
| Maximum Amperage | 2.5 Amps | 2.5 Amps |
| Weight | | |
| TrueCoat 360, 360 DS/DSP | 3.5 lb (18 in.cord) | 1.6 kg (45 cm cord) |
| TrueCoat 360 VSP | 3.75 lb (18 in.cord) | 1.7 kg (45 cm cord) |
| Dimensions: | | |
| Length (All models) | 12.50 in. | 31.75 cm |
| Width (All models) | 5.25 in. | 13.34 cm |
| Height 360, 360 DS/DSP | 9.75 in. | 24.77 cm |
| Height 360 VSP | 11.8 in. | 29.97 cm |
| Storage Temperature Range ◆❖ | 32° to 113° F | 0° to 45° C |
| Operating Temperature Range ✓ | 40° to 90° F | 4° to 32° C |
| Storage Humidity Range | 0% to 95% relative humidity, non-condensing | 0% to 95% relative humidity, non-condensing |
| Power Cord | 18 AWG, 3-wire, 18 in. | 1.0 mm ² , 3-wire, 45 cm |
| Electrical Power Requirement | 120 Vac, 60 Hz, 15A, 1 phase | |
| Duty Cycle | 50% | 50% |
| Maximum tip orifice | 0.015 in. | 0.38mm |

- ◆ Pump damage will occur if fluid freezes in pump.
- ❖ Damage to plastic parts may result if impact occurs in low temperature conditions.
- ✓ Changes in paint viscosity at very low or very high temperatures can affect sprayer performance.

Graco Limited Warranty

Graco warrants to the original purchaser that this product will be free from defects in material and workmanship for one (1) year from the date of purchase when operated and maintained in accordance with Graco's written recommendations and instructions. This product is designed and intended for personal, non-income producing, household purposes only. This warranty is void if the product is used for any other purposes, including but not limited to commercial, institutional, industrial, agricultural, rental or income producing purposes. This warranty does not cover general wear and tear or any malfunction, damage or wear caused by misapplication, abrasion, corrosion, inadequate or improper maintenance, abuse, negligence, misuse, accident, tampering, substitution of non-Graco component parts, or alterations, service or repairs by anyone other than a Graco authorized service center, or any use, maintenance or repairs not specifically described in Graco's written recommendations and instructions. In addition, this warranty specifically excludes general wear and tear of the pump, valves, needle assembly and spray tips.

This warranty is conditioned upon the prepaid return of the product claimed to be defective and proof of purchase to a Graco authorized service center for verification of the claimed defect. To find a Graco authorized service center, please call 1-888-541-9788 or visit us online at www.graco.com. If the claimed defect is verified, Graco will repair or replace the product free of charge. The product will be returned to the original purchaser transportation prepaid. If inspection of the product does not disclose any defect in material or workmanship, repairs will be made at a reasonable charge to you, which charges may include the costs of parts, labor and transportation. Repair or replacement of the product under this warranty will not interrupt or extend the warranty period or create a new warranty period.

ANY IMPLIED WARRANTY OF MERCHANTABILITY OR FITNESS FOR A PARTICULAR PURPOSES IS LIMITED TO ONE (1) YEAR FROM THE DATE OF PURCHASE. SOME STATES AND PROVINCES DO NOT ALLOW LIMITATIONS ON HOW LONG AN IMPLIED WARRANTY LASTS, SO THE ABOVE LIMITATION MAY NOT APPLY TO YOU.

To the extent permitted by law, Graco's sole obligation and buyer's sole remedy for any breach of warranty shall be as set forth above. **IN NO EVENT WILL GRACO BE LIABLE FOR ANY INDIRECT, INCIDENTAL, SPECIAL OR CONSEQUENTIAL DAMAGES RESULTING FROM THE SALE OR USE OF THIS PRODUCT. SOME STATES AND PROVINCES DO NOT ALLOW THE EXCLUSION OR LIMITATION OF INCIDENTAL OR CONSEQUENTIAL DAMAGES, SO THE ABOVE LIMITATION OR EXCLUSION MAY NOT APPLY TO YOU.**

THIS WARRANTY GIVES YOU SPECIFIC LEGAL RIGHTS, AND YOU MAY ALSO HAVE OTHER RIGHTS WHICH VARY FROM STATE TO STATE OR PROVINCE TO PROVINCE.

FOR GRACO CANADA CUSTOMERS

The Parties acknowledge that they have required that the present document, as well as all documents, notices and legal proceedings entered into, given or instituted pursuant hereto or relating directly or indirectly hereto, be drawn up in English. Les parties reconnaissent avoir convenu que la rédaction du présente document sera en Anglais, ainsi que tous documents, avis et procédures judiciaires exécutés, donnés ou intentés, à la suite de ou en rapport, directement ou indirectement, avec les procédures concernées.

Graco Information

For the latest information about Graco products, visit www.graco.com.

For patent information, see www.graco.com/patents.

TO PLACE AN ORDER, contact your Graco distributor or call 1-888-541-9788 to identify the nearest distributor.

All written and visual data contained in this document reflects the latest product information available at the time of publication.

Graco reserves the right to make changes at any time without notice.

Original instructions. This manual contains English. MM 333394

Graco Headquarters: Minneapolis
International Offices: Belgium, China, Japan, Korea

GRACO INC. AND SUBSIDIARIES • P.O. BOX 1441 • MINNEAPOLIS MN 55440-1441 • USA

Copyright 2014, Graco Inc. All Graco manufacturing locations are registered to ISO 9001.

www.graco.com
Revision R, December 2019